



US00D779292S

(12) **United States Design Patent**
Farmer

(10) **Patent No.:** **US D779,292 S**

(45) **Date of Patent:** **** Feb. 21, 2017**

(54) **KITCHEN UTENSIL**

6,371,470 B1 * 4/2002 Ward A47J 47/20

269/13

(71) Applicant: **Duane Farmer**, Bolivar, MO (US)

D557,085 S * 12/2007 Shmoon D7/667

(72) Inventor: **Duane Farmer**, Bolivar, MO (US)

* cited by examiner

(**) Term: **15 Years**

Primary Examiner — Terry Wallace

(21) Appl. No.: **29/533,625**

(74) *Attorney, Agent, or Firm* — Lathrop & Gage LLP

(22) Filed: **Jul. 20, 2015**

(57) **CLAIM**

(51) **LOC (10) Cl.** **07-04**

An ornamental design for a kitchen utensil, as shown and described.

(52) **U.S. Cl.**

USPC **D7/669**; D7/678; D7/700

(58) **Field of Classification Search**

USPC D7/669, 368, 678, 667, 700, 584, 586,
D7/587; D10/46.2, 46.3

CPC A47J 43/25; A47J 43/24; B65B 39/00;
B67C 11/00; B67C 11/02; B65D 77/24;
G01F 19/002; G01F 19/00

See application file for complete search history.

DESCRIPTION

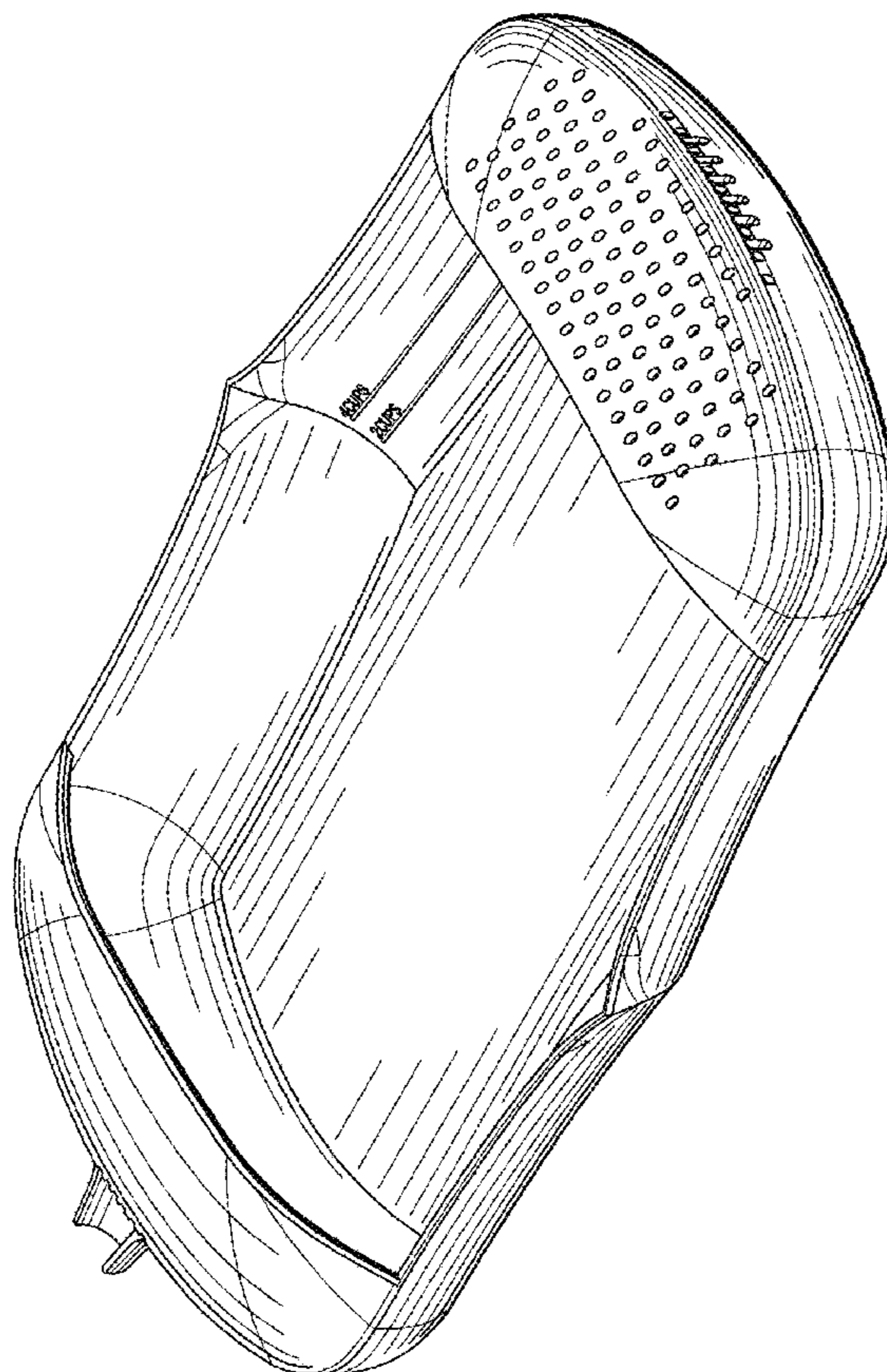
FIG. 1 is a top plan view of the kitchen utensil, showing the inventive design;
FIG. 2 is a bottom view;
FIG. 3 is a first side view;
FIG. 4 is a second side view, opposite the view in FIG. 3;
FIG. 5 is a first end view;
FIG. 6 is a second end view opposite the view in FIG. 5; and,
FIG. 7 is a perspective view thereof.

(56) **References Cited**

U.S. PATENT DOCUMENTS

5,423,451 A * 6/1995 Snyder B65D 81/36
206/216
D408,693 S * 4/1999 Wong D7/667

1 Claim, 7 Drawing Sheets



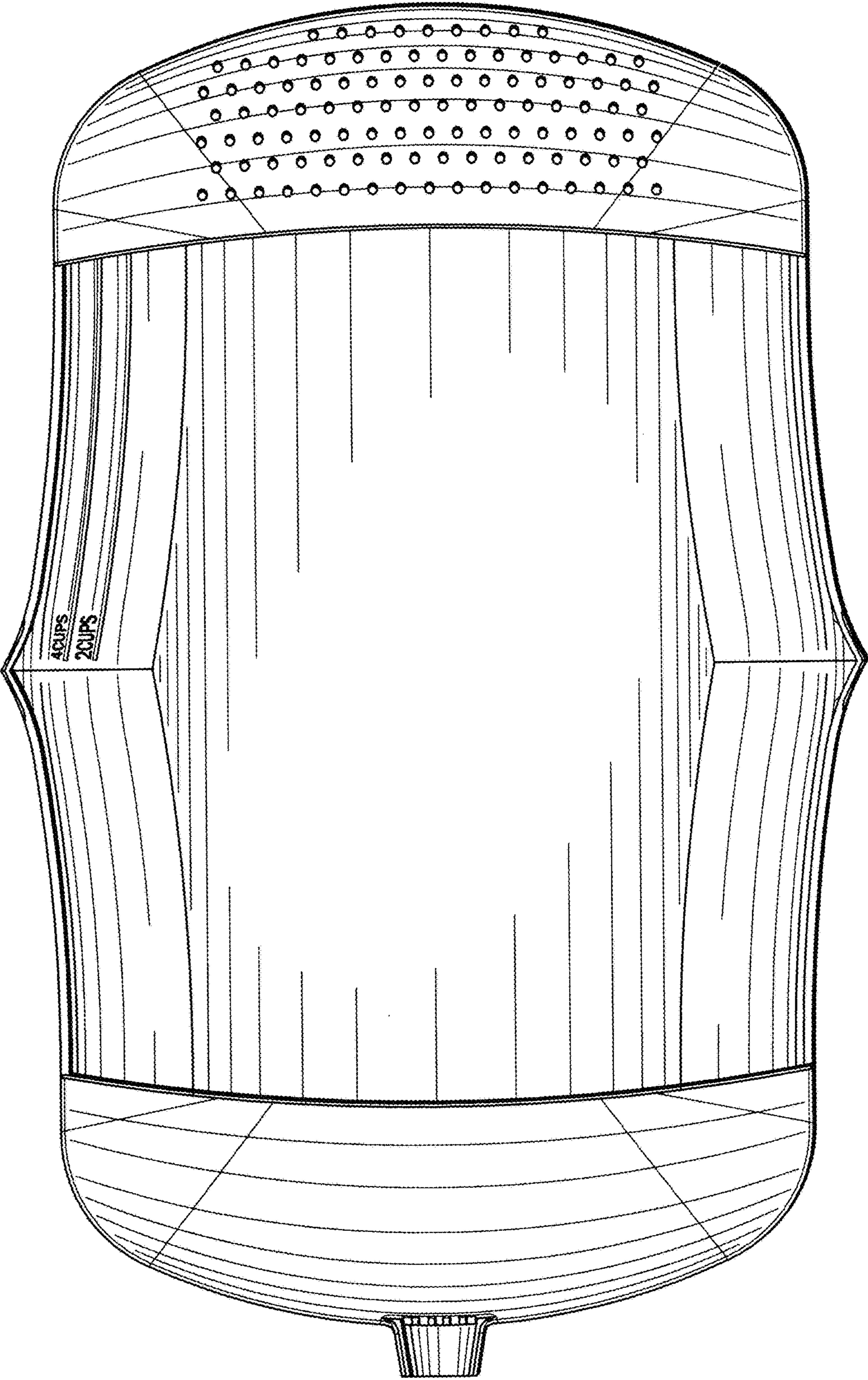


FIG. 1

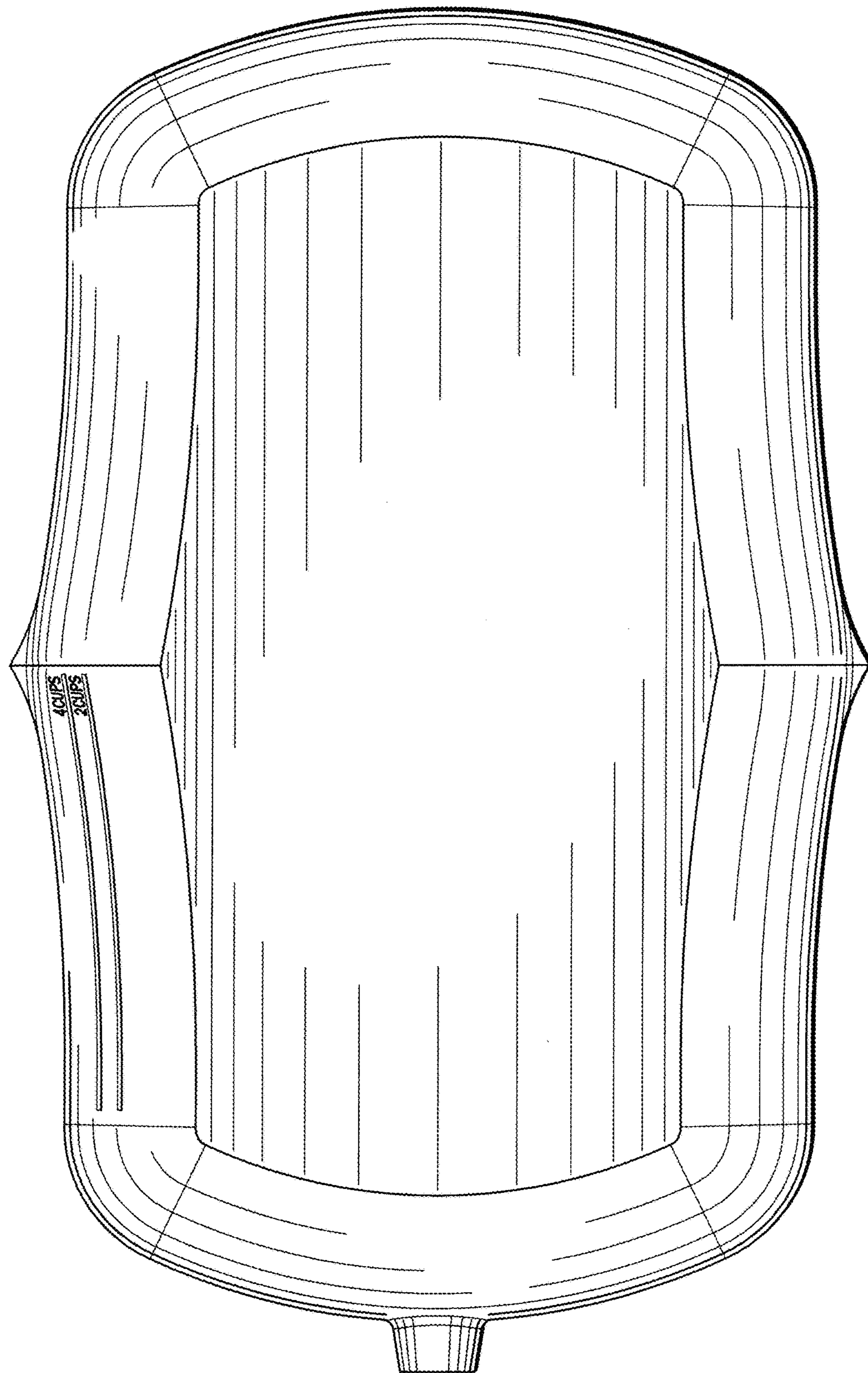


FIG. 2

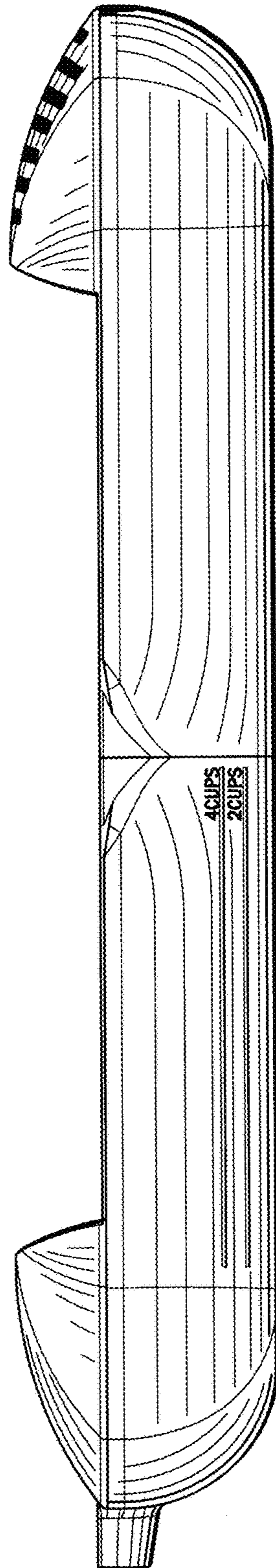


FIG. 3

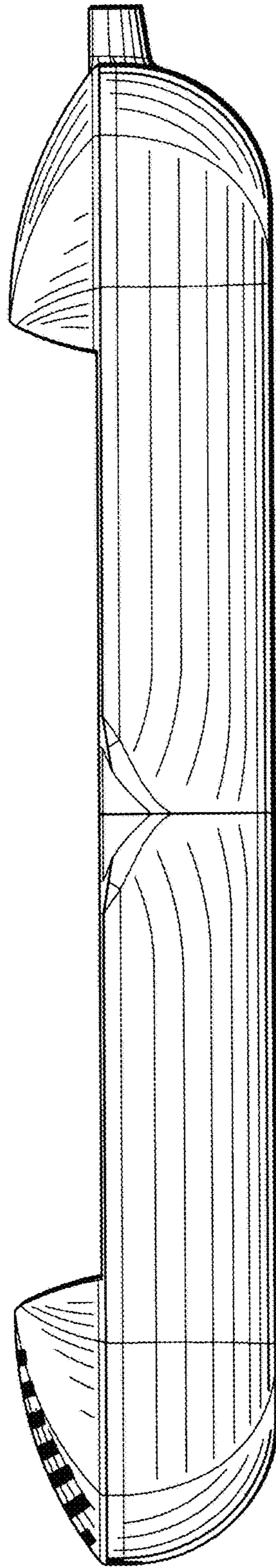


FIG. 4

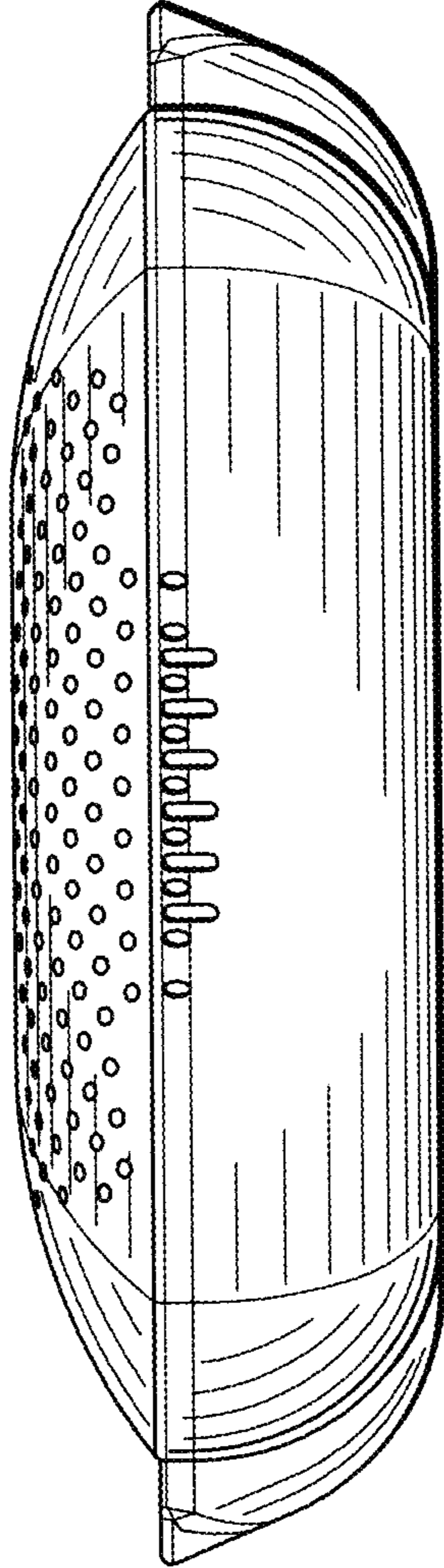


FIG. 5

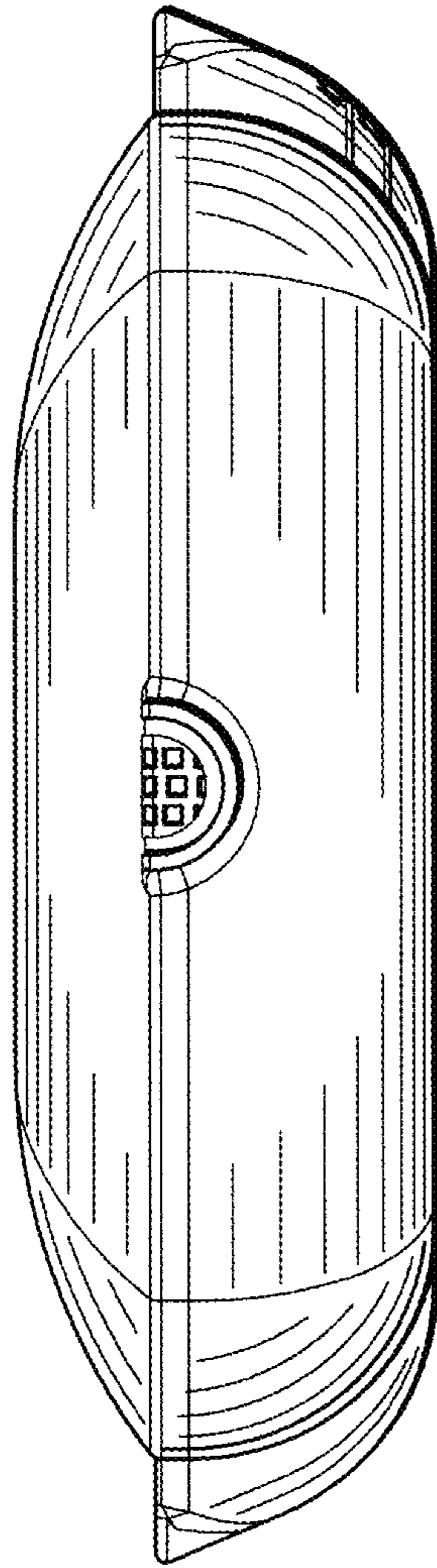


FIG. 6

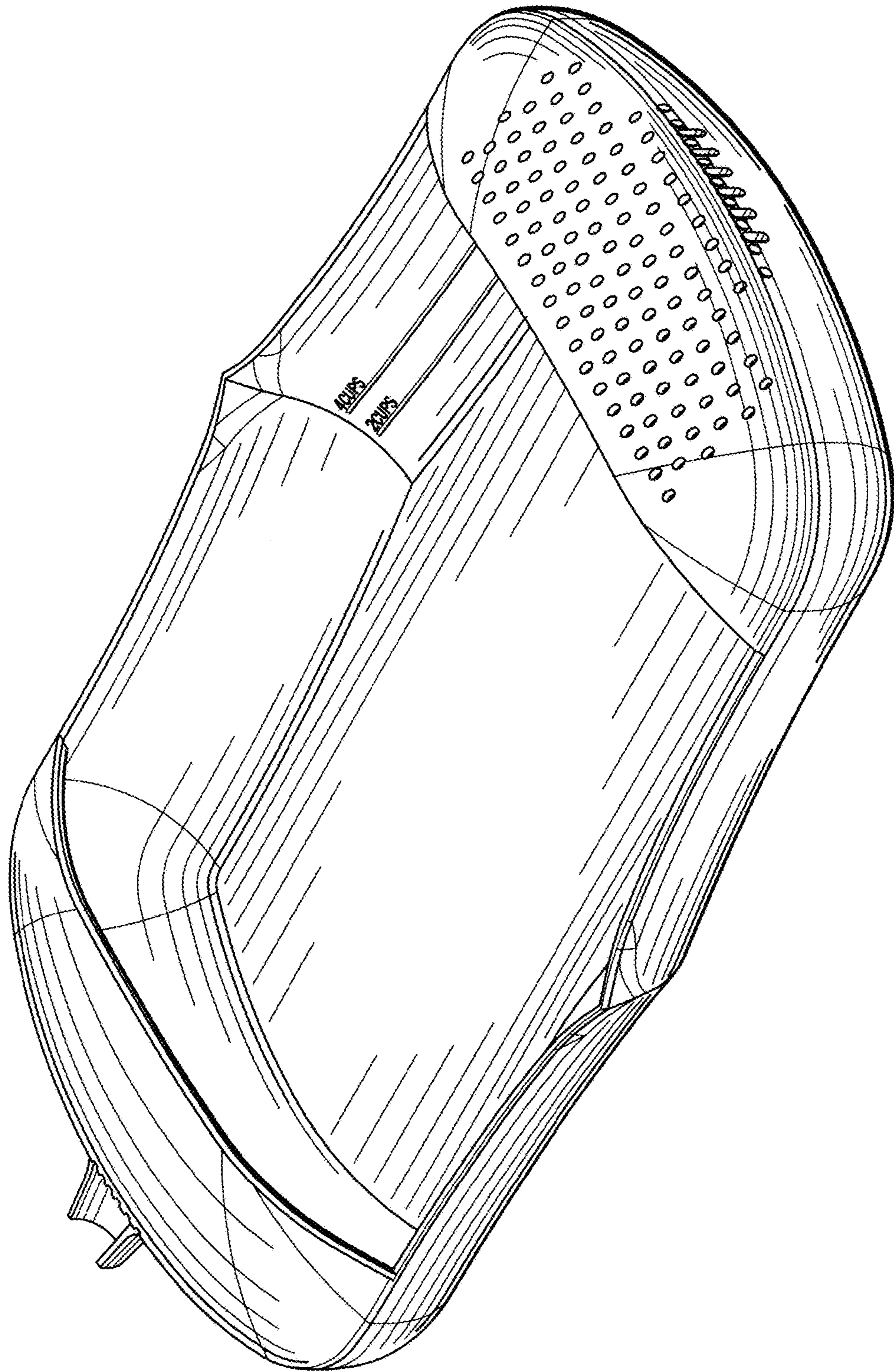


FIG. 7