



US00D779291S

(12) **United States Design Patent** (10) **Patent No.:** **US D779,291 S**
Kassouni (45) **Date of Patent:** **** Feb. 21, 2017**

(54) **INTERLOCKING CUPS FOR PEELING GARLIC**

(71) Applicant: **Van M. Kassouni**, Grand Rapids, MI (US)

(72) Inventor: **Van M. Kassouni**, Grand Rapids, MI (US)

(**) Term: **15 Years**

(21) Appl. No.: **29/528,507**

(22) Filed: **May 29, 2015**

(51) **LOC (10) Cl.** **07-04**

(52) **U.S. Cl.**
USPC **D7/669**

(58) **Field of Classification Search**
USPC D7/669, 368, 300.1, 509-512
CPC .. A47J 17/00; A47J 17/02; A47J 43/25; A47J 43/255

See application file for complete search history.

(56) **References Cited**

U.S. PATENT DOCUMENTS

3,292,257	A *	12/1966	Popeil	A23N 15/04
				30/121.5
4,369,574	A *	1/1983	Hsien-Sen	A47J 17/02
				30/123.5
D269,489	S *	6/1983	Akita	D7/372
4,768,429	A	9/1988	Federighi	
4,998,465	A	3/1991	Fischer et al.	
5,158,011	A	10/1992	Chen	
5,305,527	A	4/1994	Holcomb	
5,465,657	A	11/1995	Wu	
5,476,037	A	12/1995	Nagaoka	
5,481,803	A *	1/1996	Guthrie	A47J 17/02
				30/113.1
5,573,803	A *	11/1996	Omessi	A47J 17/02
				426/483

D482,570	S *	11/2003	Henderson	D7/300.1
D505,591	S *	5/2005	Bodum	D7/300.1
6,968,778	B2	11/2005	Karyo	
D628,011	S *	11/2010	De Pra'	D7/372
7,975,947	B2 *	7/2011	Horstmann	A47J 43/255
				241/169

2008/0072772 A1 3/2008 Haimoff et al.

* cited by examiner

Primary Examiner — Terry Wallace

(74) *Attorney, Agent, or Firm* — Gardner, Linn, Burkhardt & Flory, LLP

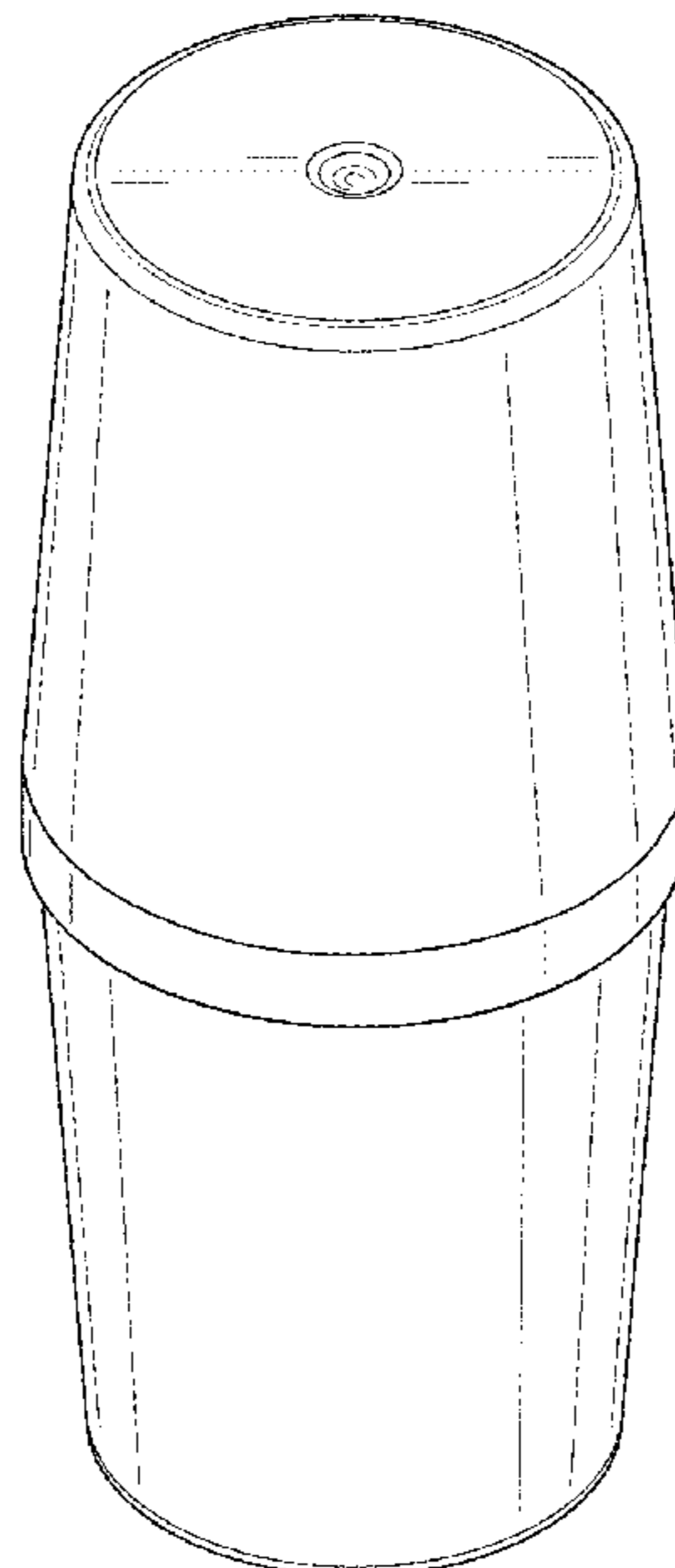
(57) **CLAIM**

The ornamental design for the interlocking cups for peeling garlic, as shown and described.

DESCRIPTION

FIG. 1 is an upper perspective view of the interlocking cups for peeling garlic showing my new design.
 FIG. 2 is a side elevation view thereof.
 FIG. 3 is a top plan view thereof.
 FIG. 4 is a bottom plan view thereof.
 FIG. 5 is a cross section view thereof, taken along line 5-5 in FIG. 2.
 FIG. 6 is an exploded perspective view thereof.
 FIG. 7 is an upper perspective view thereof of an alternate embodiment of FIG. 1.
 FIG. 8 is a side elevation of FIG. 7.
 FIG. 9 is a top plan view of FIG. 7.
 FIG. 10 is a bottom plan view of FIG. 7.
 FIG. 11 is a cross section view of FIG. 7, taken along line 11-11 of FIG. 8; and,
 FIG. 12 is an exploded perspective view of FIG. 7.

1 Claim, 10 Drawing Sheets



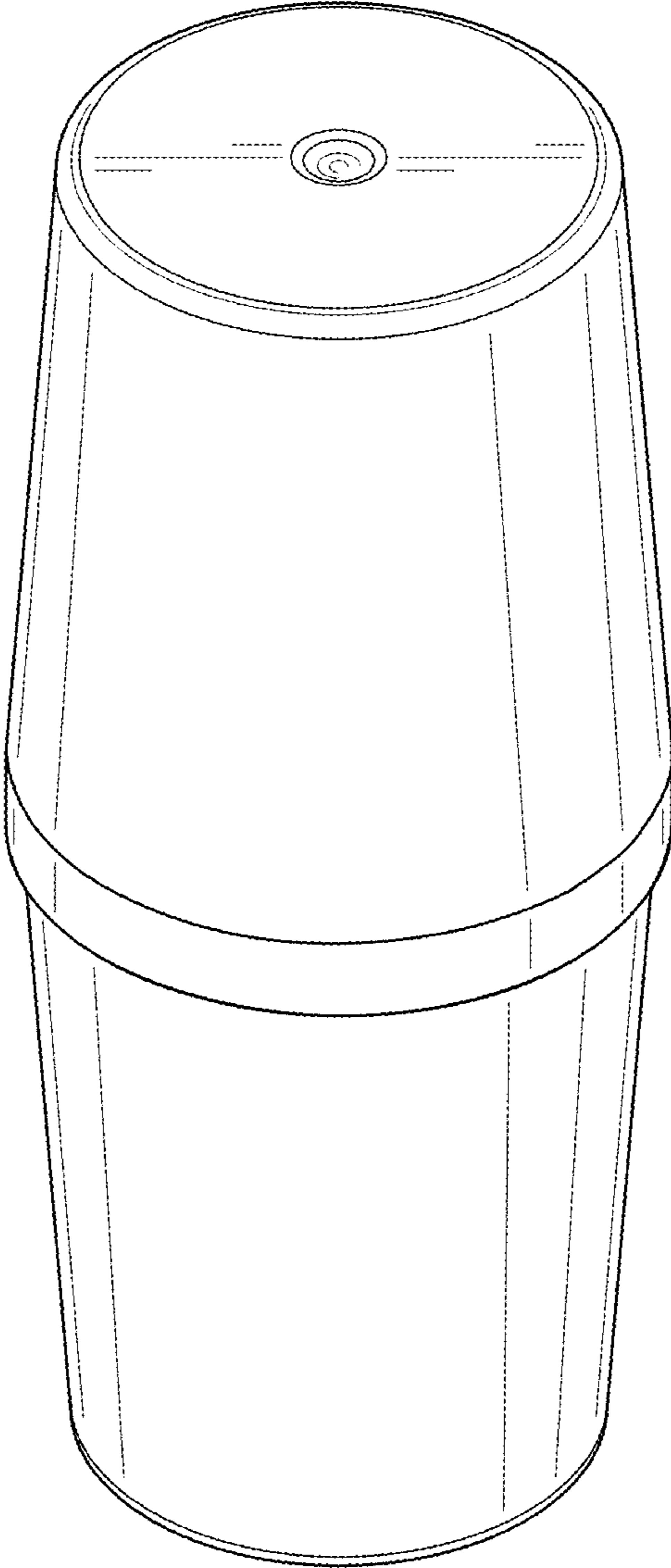


FIG. 1

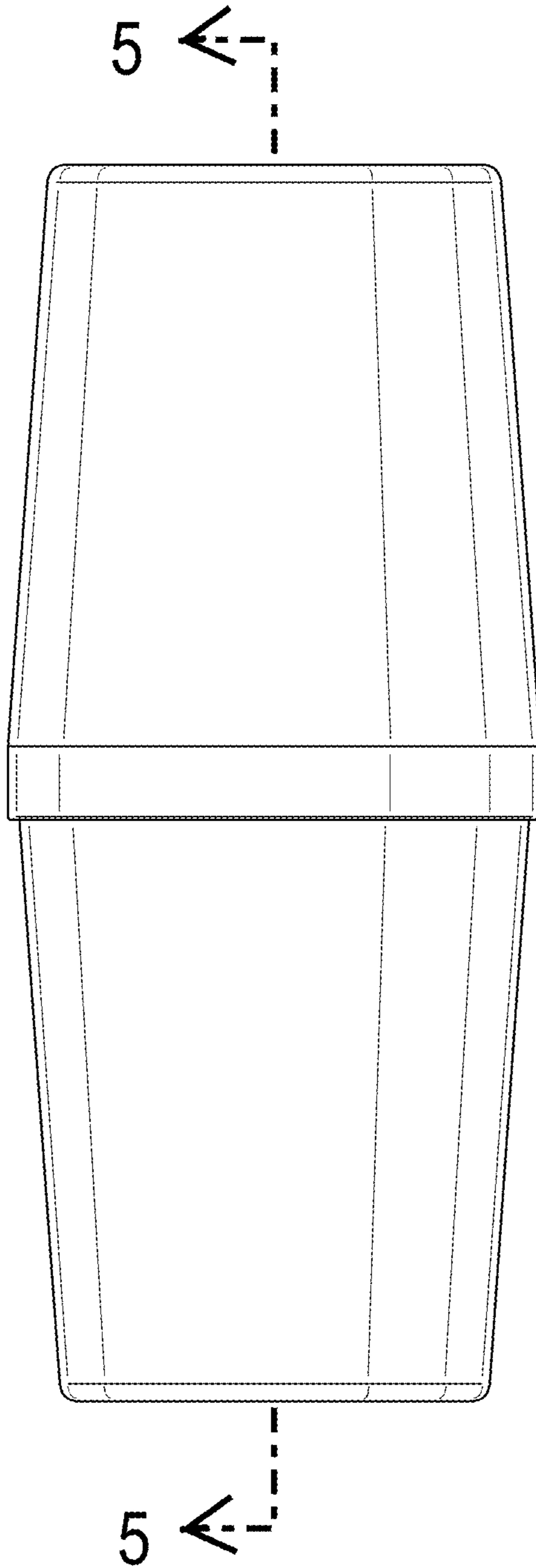


FIG. 2

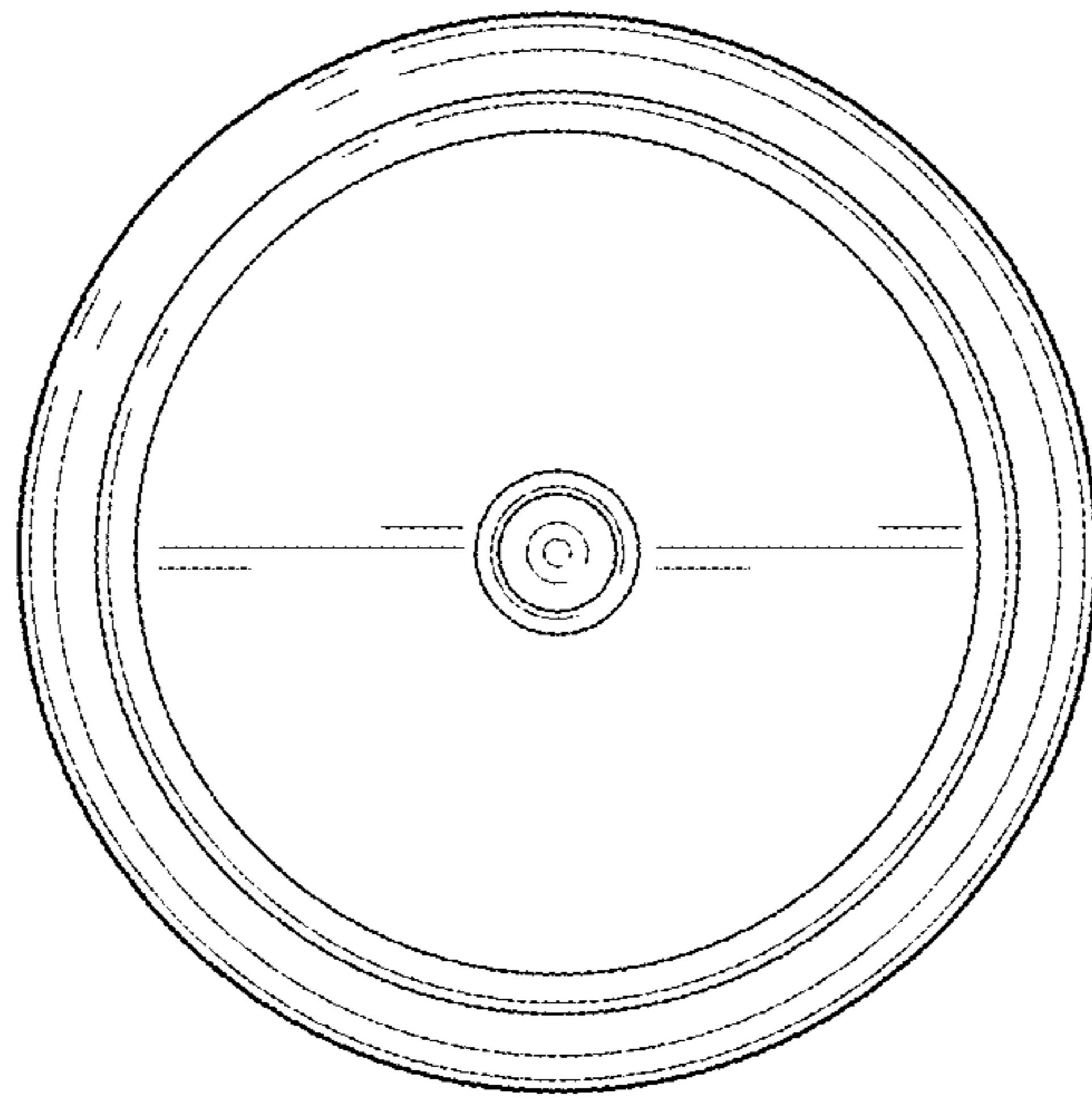


FIG. 3

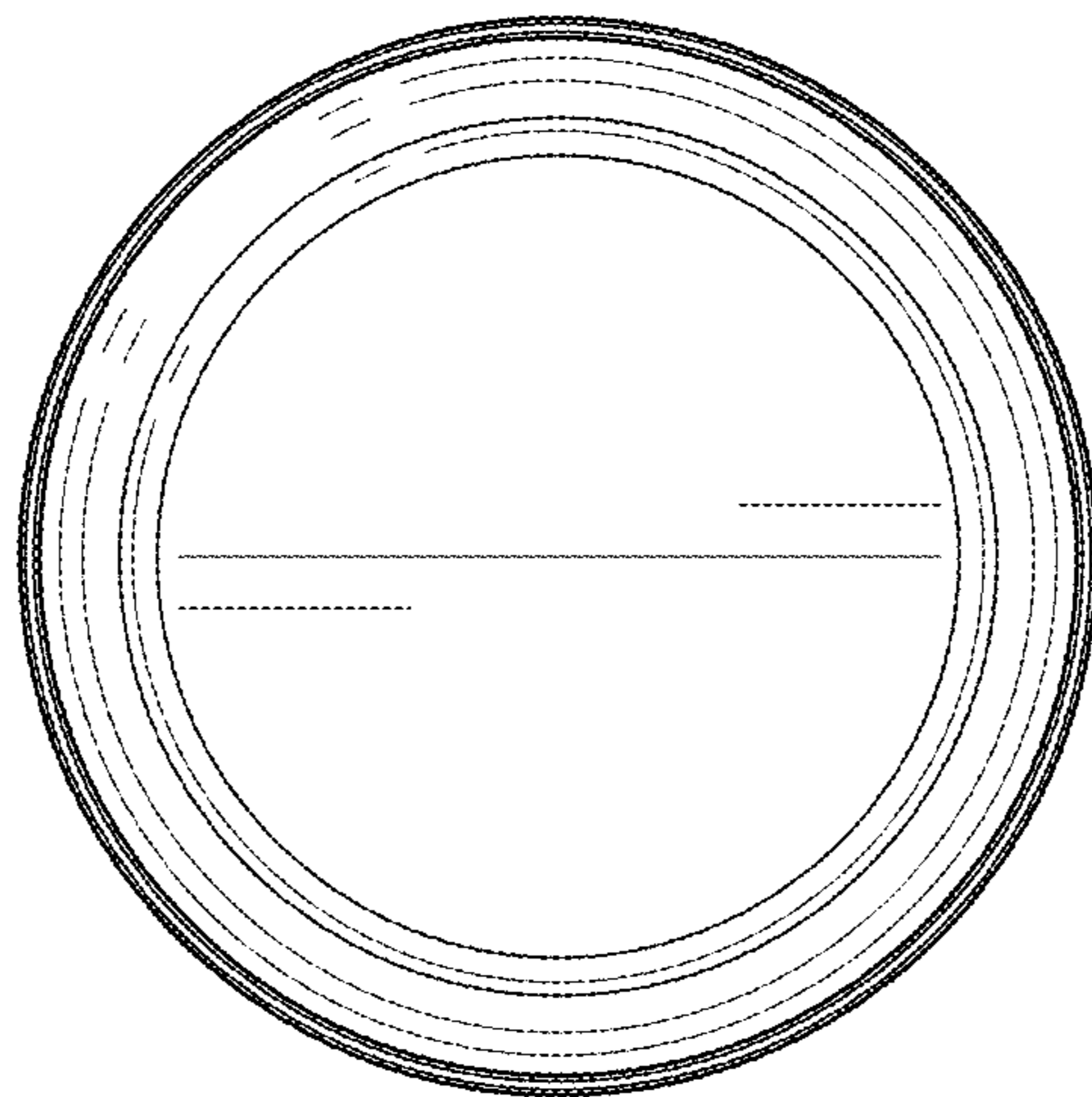


FIG. 4

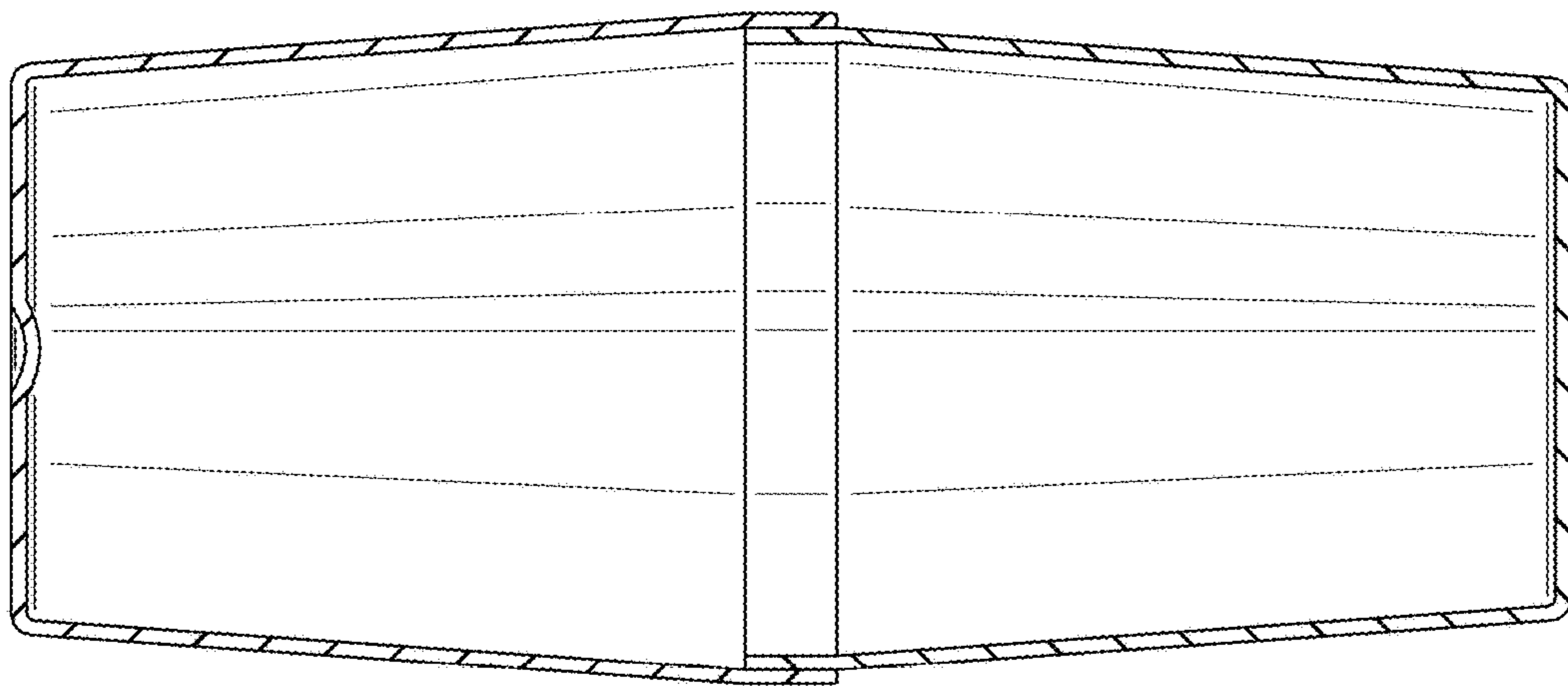


FIG. 5

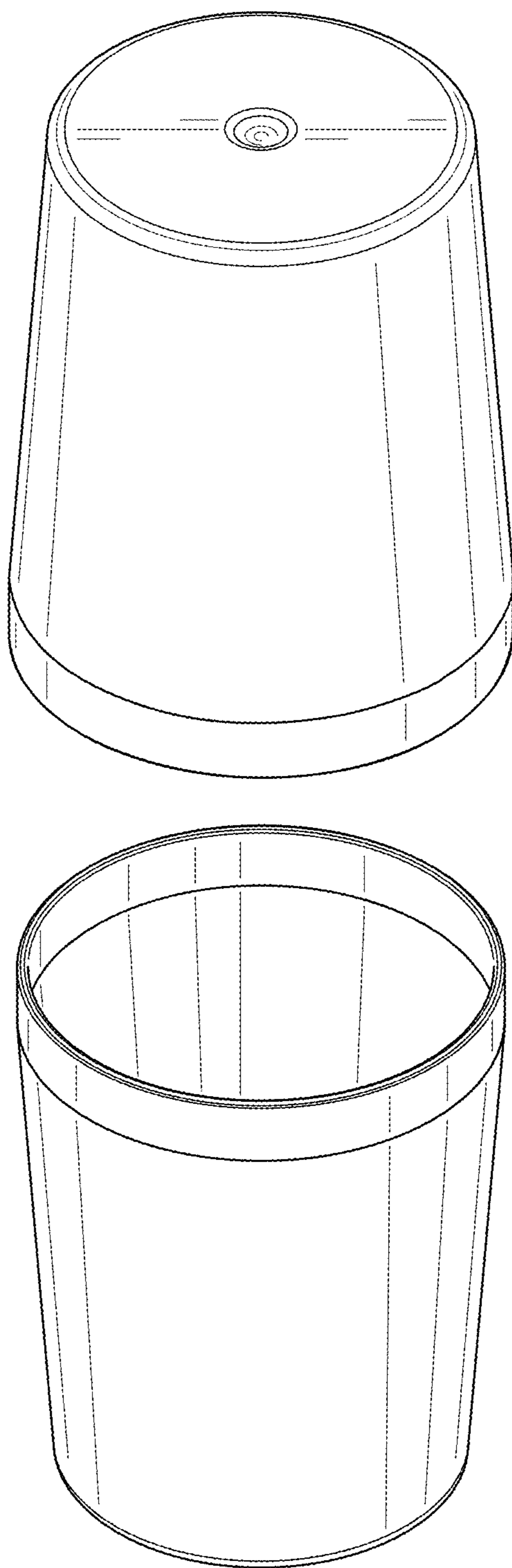


FIG. 6

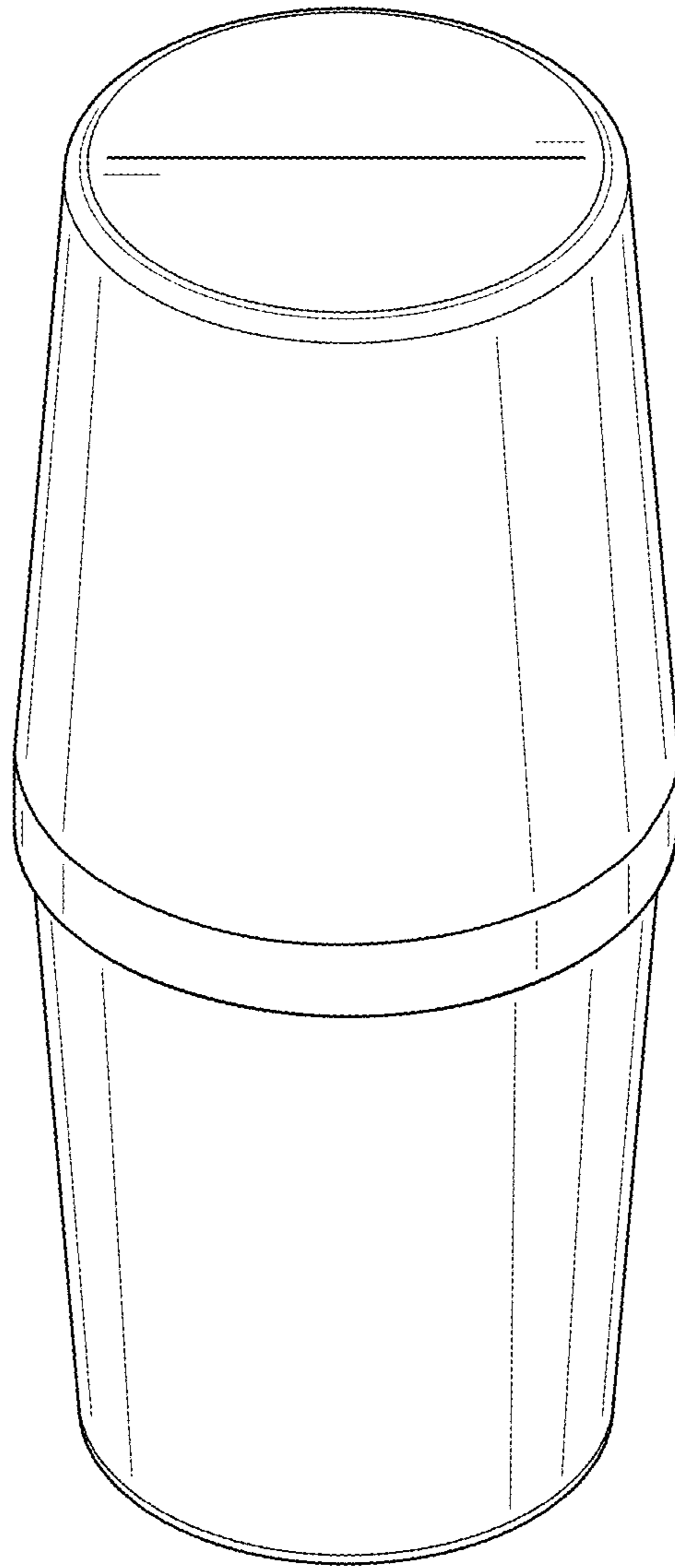


FIG. 7

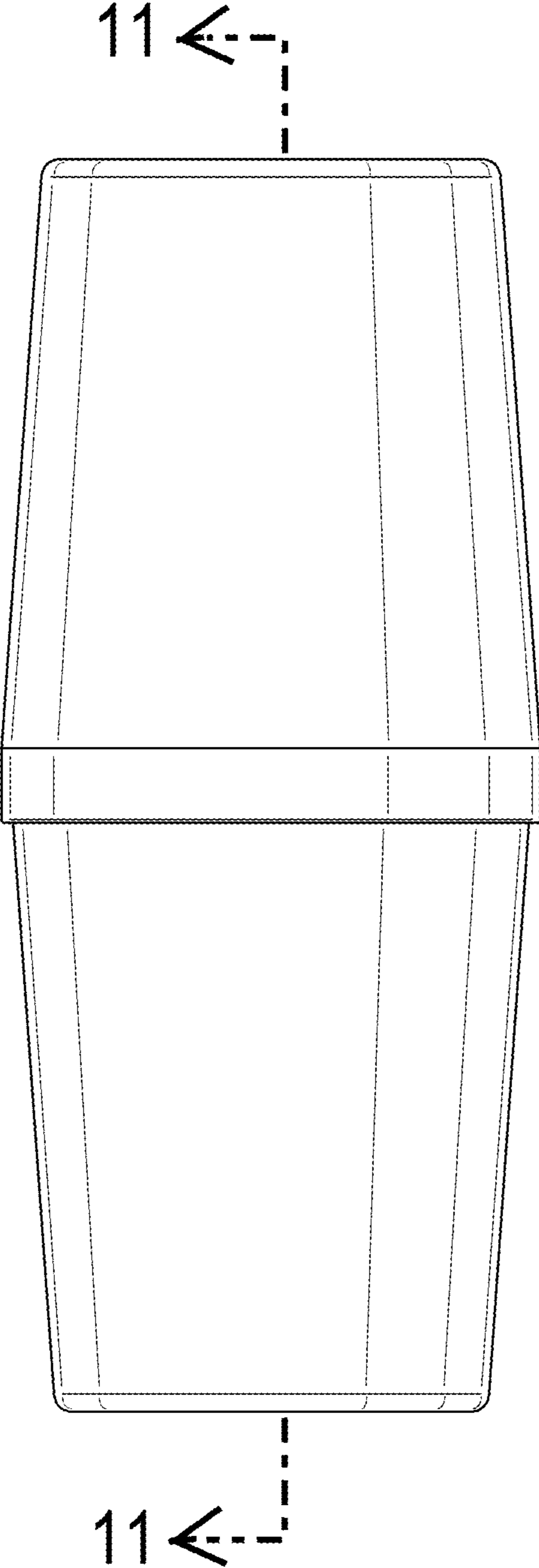


FIG. 8

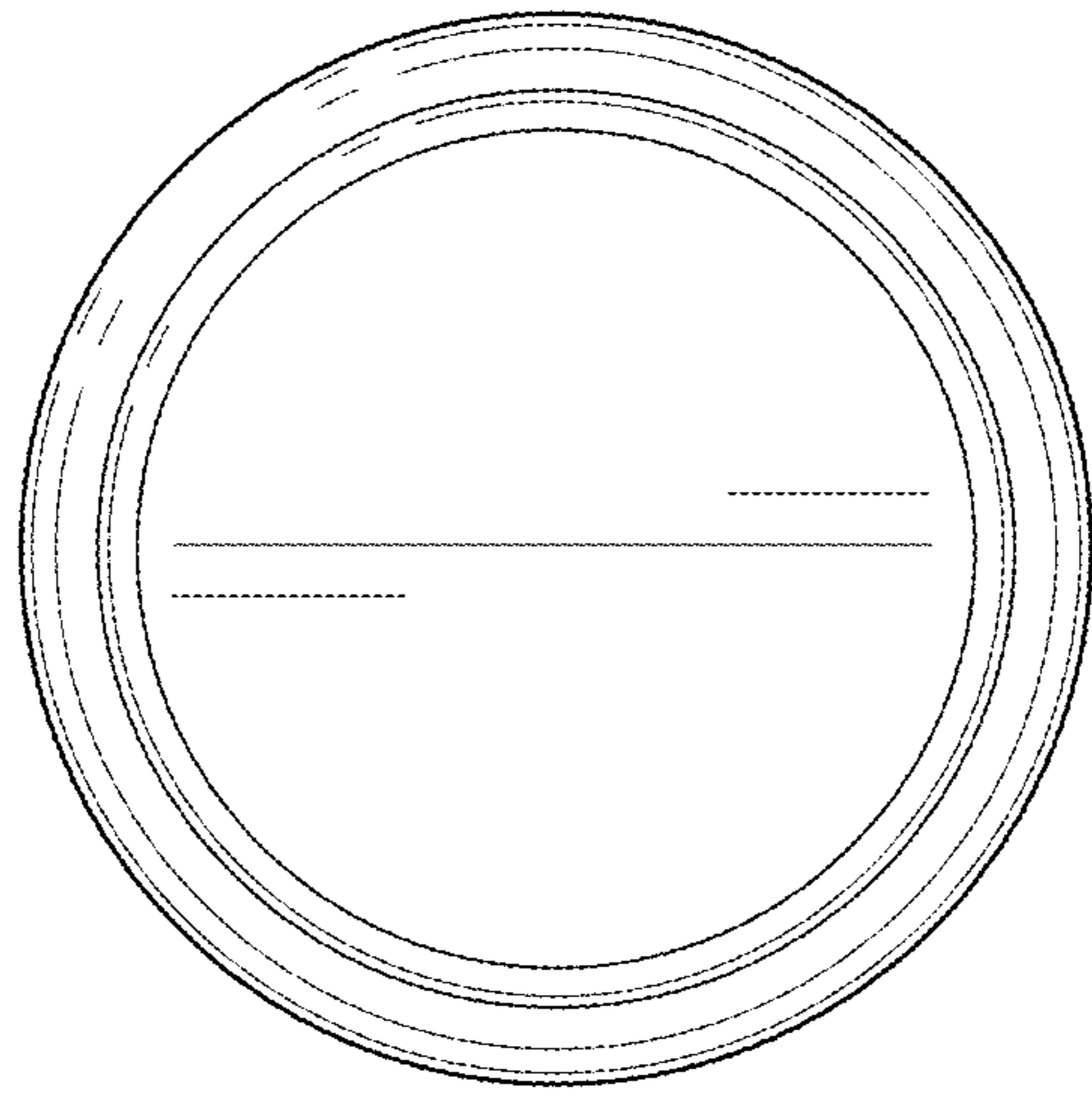


FIG. 9

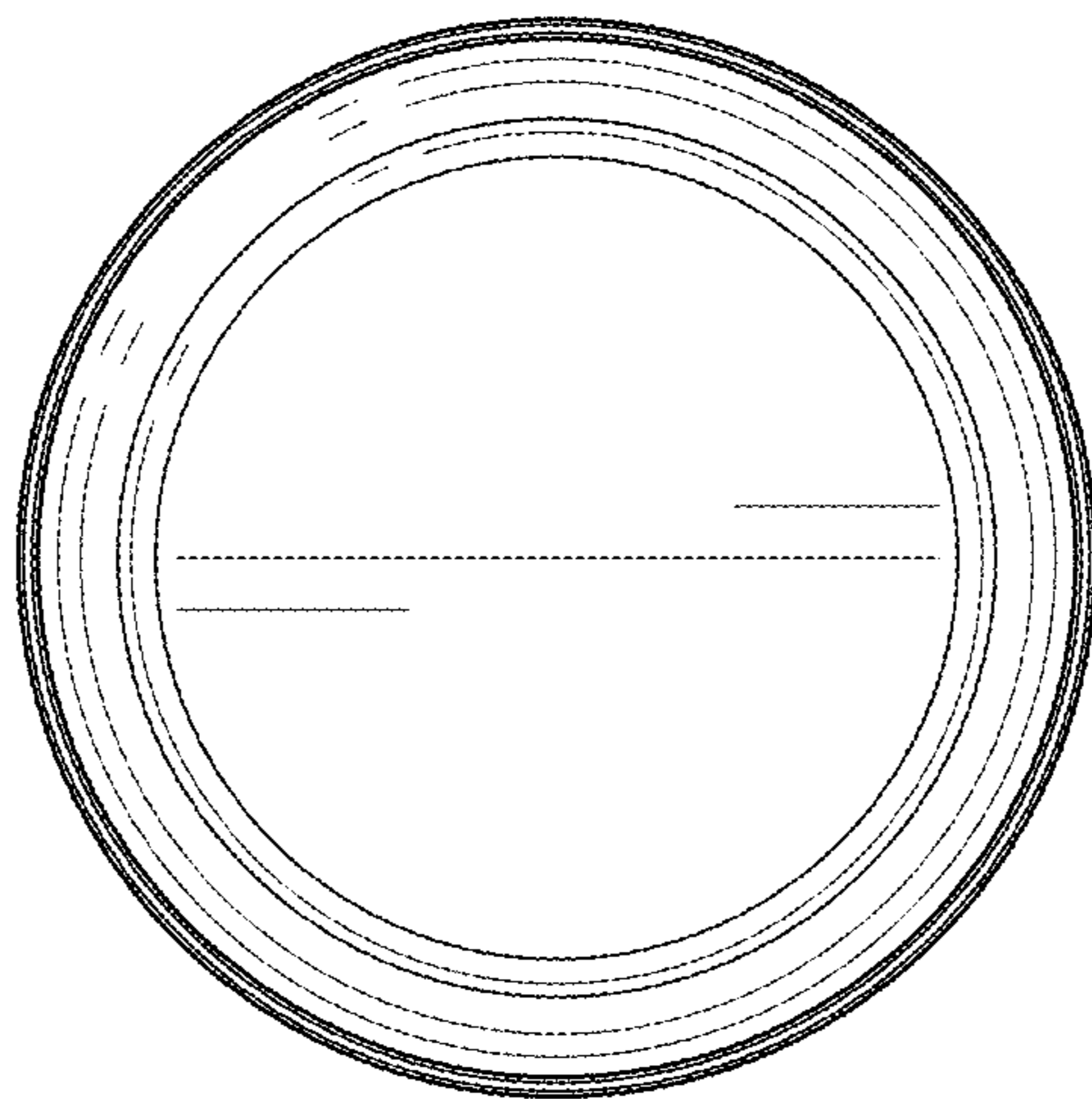


FIG. 10

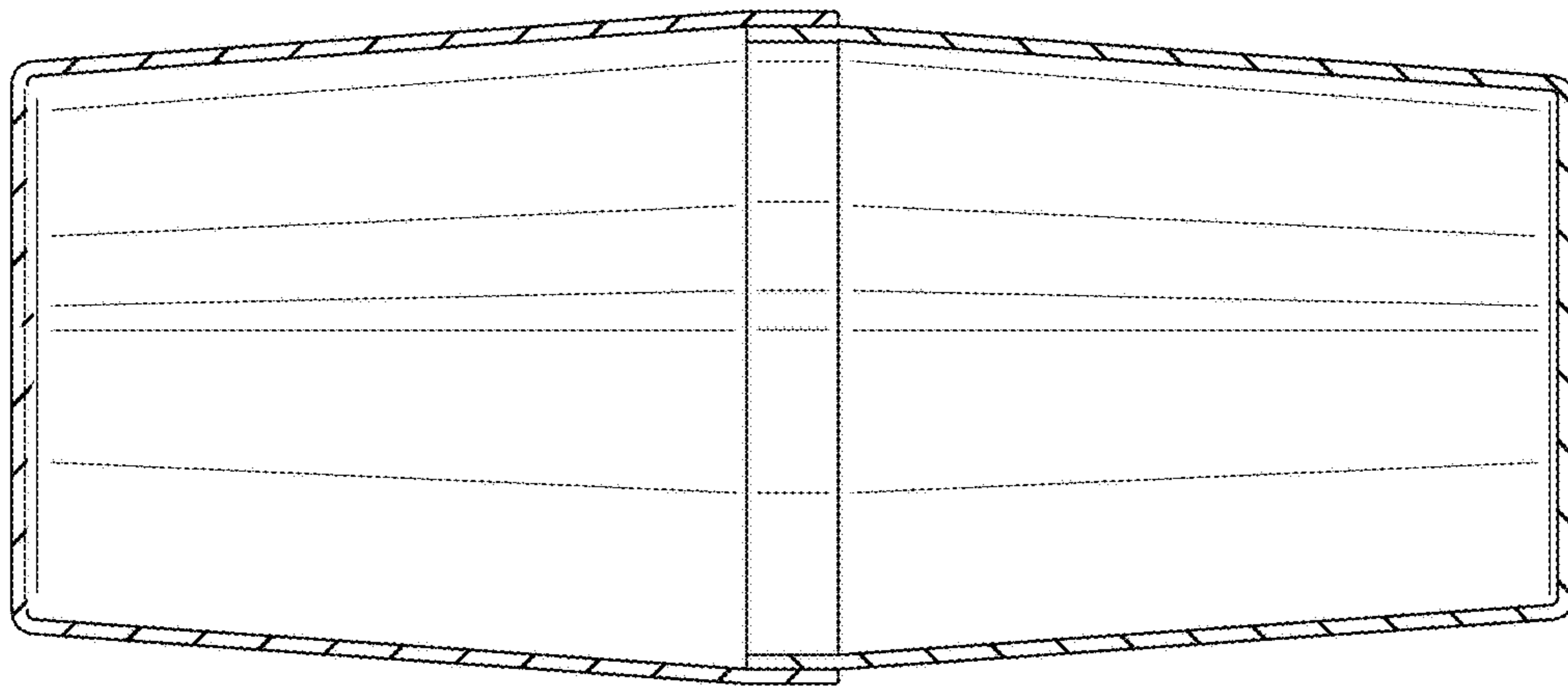


FIG. 11

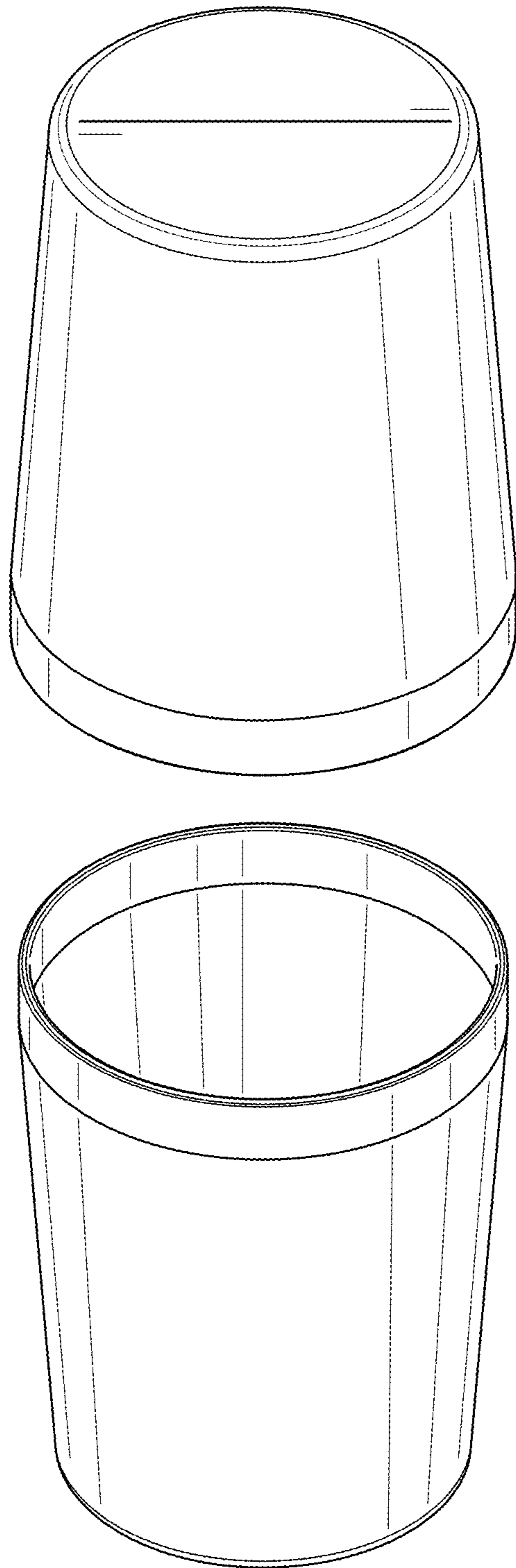


FIG. 12