



US00D779287S

(12) **United States Design Patent** (10) **Patent No.:** **US D779,287 S**
Baker (45) **Date of Patent:** **** Feb. 21, 2017**

(54) **LUNCH CONTAINER**

(71) Applicant: **Jason Baker**, South Jordan, UT (US)

(72) Inventor: **Jason Baker**, South Jordan, UT (US)

(**) Term: **15 Years**

(21) Appl. No.: **29/528,162**

(22) Filed: **May 26, 2015**

(51) **LOC (10) Cl.** **07-01**

(52) **U.S. Cl.**
USPC **D7/629**

(58) **Field of Classification Search**

USPC D7/629, 550.1, 551.1, 552.1, 552.2, D7/553.1, 553.2, 553.3, 553.4, 553.5, D7/553.7, 554.2, 555, 556, 601, 602, D7/603, 604, 605, 606, 612, 613, 701, D7/705, 706, 708, 323,324, 326, 331, D7/332, 337, 339, 340, 341, 346, 347, D7/350.1, 350.3, 352, 354, 355, 356, 357, D7/360, 362, 363, 364, 365, 366, 367, D7/672, 630, 538-542, 584, 586, 587, D7/392.1, 709, 609, 619.1, 622; D3/273, D3/201, 206, 276, 283, 284, 302, D3/304-315; D9/500, 501, 414, 424-432; D6/512, 513, 524-525, 552, D6/567; D32/37

CPC A47J 36/24; A47J 36/26; A47J 36/2405; A47J 36/00; A47J 36/12; A47J 39/00; A47J 39/02; A47J 27/004; A47J 27/18; A47J 27/14; A47J 27/06; F24C 7/006; B65D 7/00; B65D 7/02; B65D 7/12; B65D 7/42; B65D 11/00; B65D 11/02; B65D 15/00; B65D 15/02; B65D 15/22; B65D 15/24; B65D 15/10; B65D 15/14; B65D 21/00; B65D 21/02; B65D 21/08; B65D 21/0209; B65D 21/0233; B65D 21/0234; B65D 2543/00; B65D 2543/00277; B65D 2543/00324; B65D 2543/00444; B65D 2588/00; B65D 2588/02; B65D 2588/16; B65D 2588/74; B65D 43/162; B65D 81/02; B65D 81/3813

See application file for complete search history.

(56) **References Cited**

U.S. PATENT DOCUMENTS

D220,202	S	*	3/1971	Brown et al.	D7/605
D240,003	S	*	5/1976	Gairard	D7/368
D288,395	S	*	2/1987	Ritman	D7/586
D336,018	S	*	6/1993	Smith	D7/629
5,445,276	A	*	8/1995	Gordon	A45C 11/20 206/545
D422,846	S	*	4/2000	Swick	D7/601
D469,320	S	*	1/2003	Pettaweebuncha	D7/629
D469,665	S	*	2/2003	Pettaweebuncha	D7/629
D513,376	S	*	1/2006	Shannon	D7/629
D536,608	S	*	2/2007	Arkins	D9/414
D542,098	S	*	5/2007	Wasserman	D7/584
D562,083	S	*	2/2008	Lown	D7/629
D595,128	S	*	6/2009	Bouveret	D7/545
D601,386	S	*	10/2009	Carlson	D7/602
D601,388	S	*	10/2009	Carlson	D7/602
D630,899	S	*	1/2011	Samartgis	D7/602
D630,900	S	*	1/2011	Samartgis	D7/602
D630,901	S	*	1/2011	Samartgis	D7/602
D640,131	S	*	6/2011	Gibson	D9/426

(Continued)

Primary Examiner — Ian Simmons

Assistant Examiner — Shannon Morgan

(74) *Attorney, Agent, or Firm* — Jarod R. Marrott; Kirton McConkie, PC

(57) **CLAIM**

The ornamental design for a lunch container, as shown and described.

DESCRIPTION

FIG. 1 is an exploded perspective view of a lunch container showing the new design;
 FIG. 2 is another perspective view thereof;
 FIG. 3 is a front elevational view thereof;
 FIG. 4 is a right side elevational view thereof;
 FIG. 5 is a rear elevational view thereof;
 FIG. 6 is a left side elevational view thereof;
 FIG. 7 is a top plan view thereof; and,

(Continued)

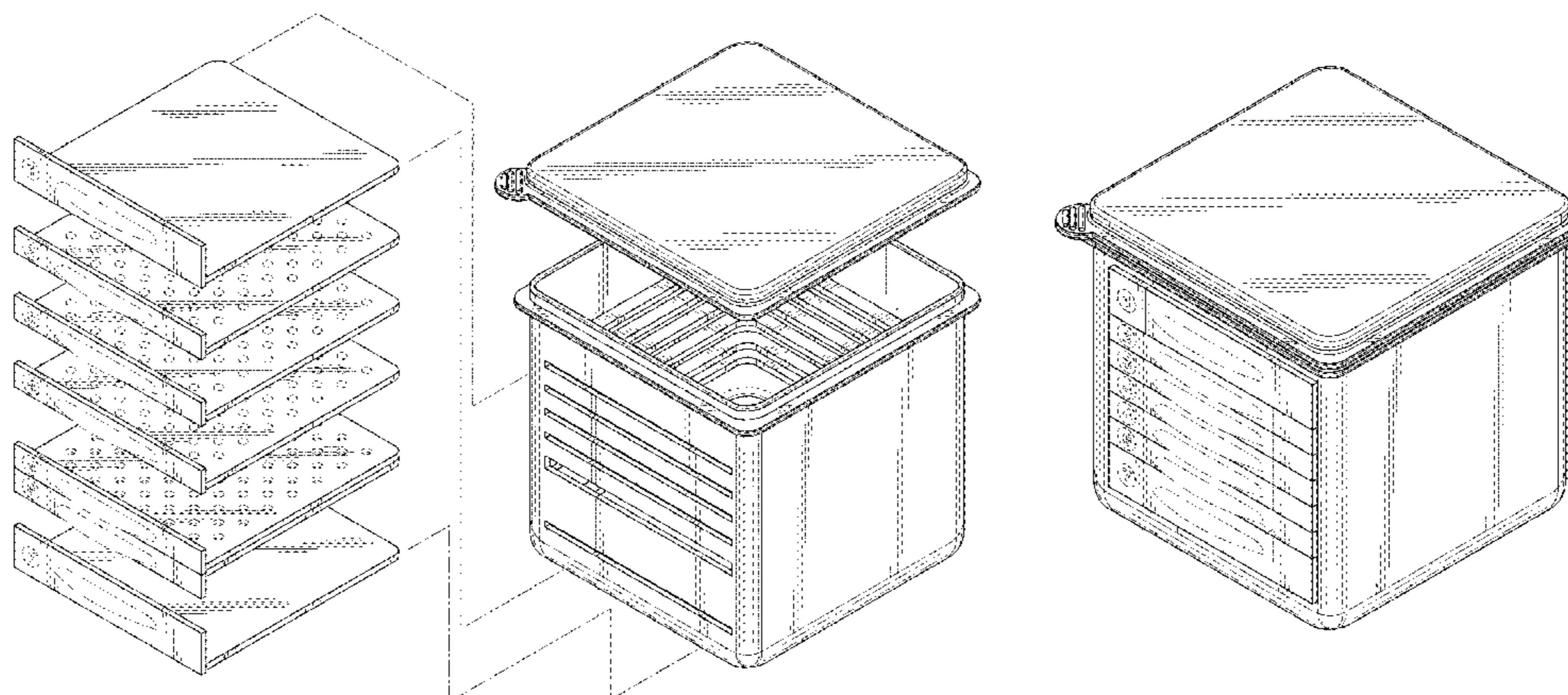


FIG. 8 is a bottom plan view of the lid of the lunch container shown with the base removed for ease of illustration.

The broken lines shown in the figures represent portions of the lunch container that form no part of the claimed design.

1 Claim, 5 Drawing Sheets

(56)

References Cited

U.S. PATENT DOCUMENTS

D642,907 S * 8/2011 Samartgis D9/424
 D643,711 S * 8/2011 Samartgis D9/424
 D646,119 S * 10/2011 Deuber D7/400
 D646,156 S * 10/2011 Maxwell-Wood D9/414
 D653,917 S * 2/2012 Ehrenhaus D7/584
 D655,576 S * 3/2012 Samartgis D7/602
 D655,577 S * 3/2012 Samartgis D7/602
 D655,578 S * 3/2012 Samartgis D7/602
 D666,878 S * 9/2012 Siegel D7/629
 D670,569 S * 11/2012 Siegel D7/629

8,418,871 B1 * 4/2013 Lamasney B65D 1/34
 220/324
 D684,824 S * 6/2013 Sweet D7/615
 D686,491 S * 7/2013 Kuo D9/432
 D690,198 S * 9/2013 Haracourt D7/602
 D696,075 S * 12/2013 Mashike D7/605
 D696,907 S * 1/2014 Everingham D7/587
 D697,372 S * 1/2014 Everingham D7/587
 D697,759 S * 1/2014 Katterheinrich D7/584
 D729,004 S * 5/2015 Deuber D7/400
 D736,569 S * 8/2015 Bronwasser D7/629
 D764,910 S * 8/2016 Akana D9/432
 2003/0010783 A1 * 1/2003 Prezelin B65D 51/16
 220/324
 2007/0151976 A1 * 7/2007 Millsap A47J 37/01
 220/573.1
 2009/0032545 A1 * 2/2009 Zeiler B65D 43/169
 220/833
 2014/0103033 A1 * 4/2014 Beckman B65D 25/04
 220/4.01
 2015/0118370 A1 * 4/2015 Johnson A23L 5/15
 426/243

* cited by examiner

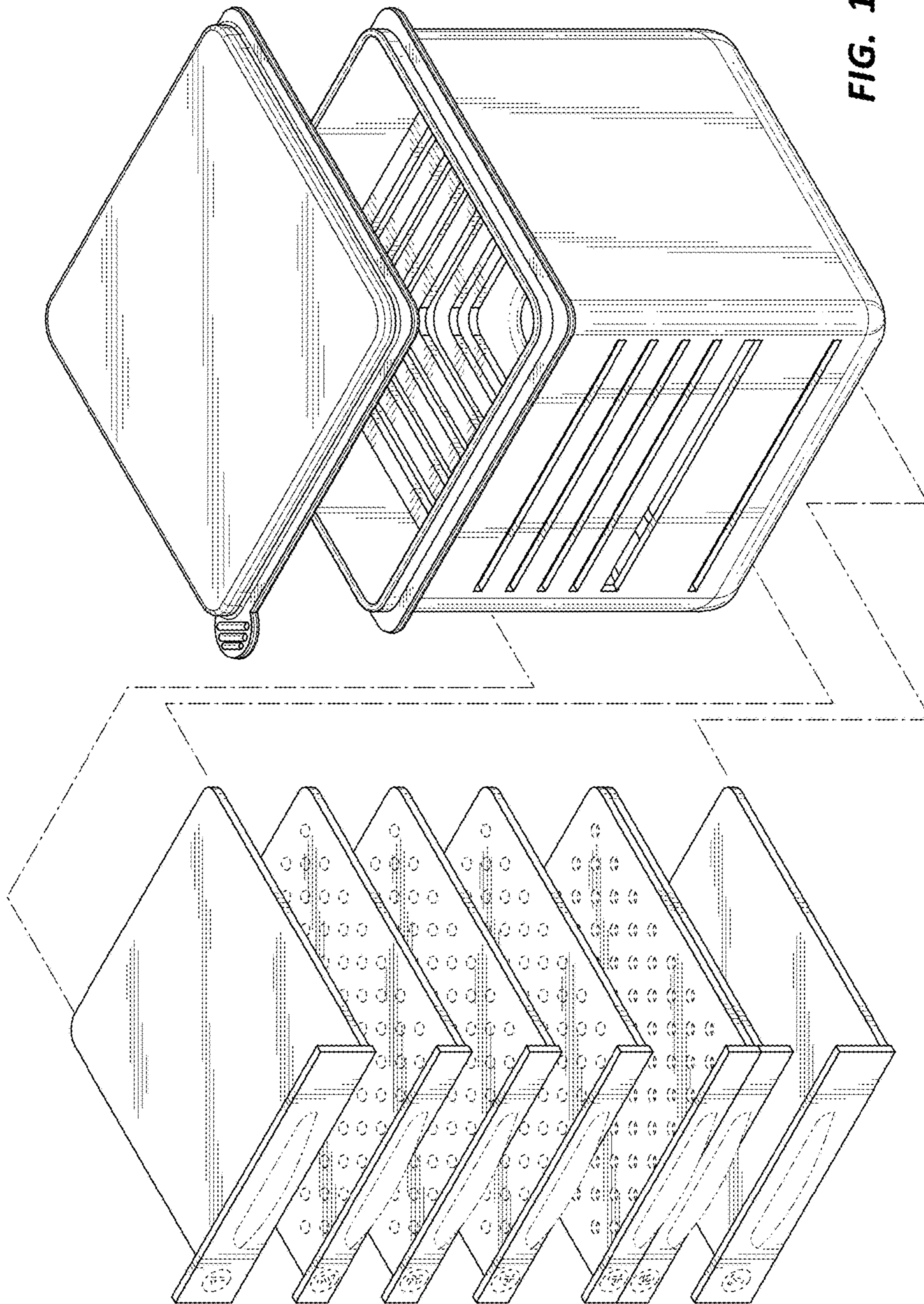


FIG. 1

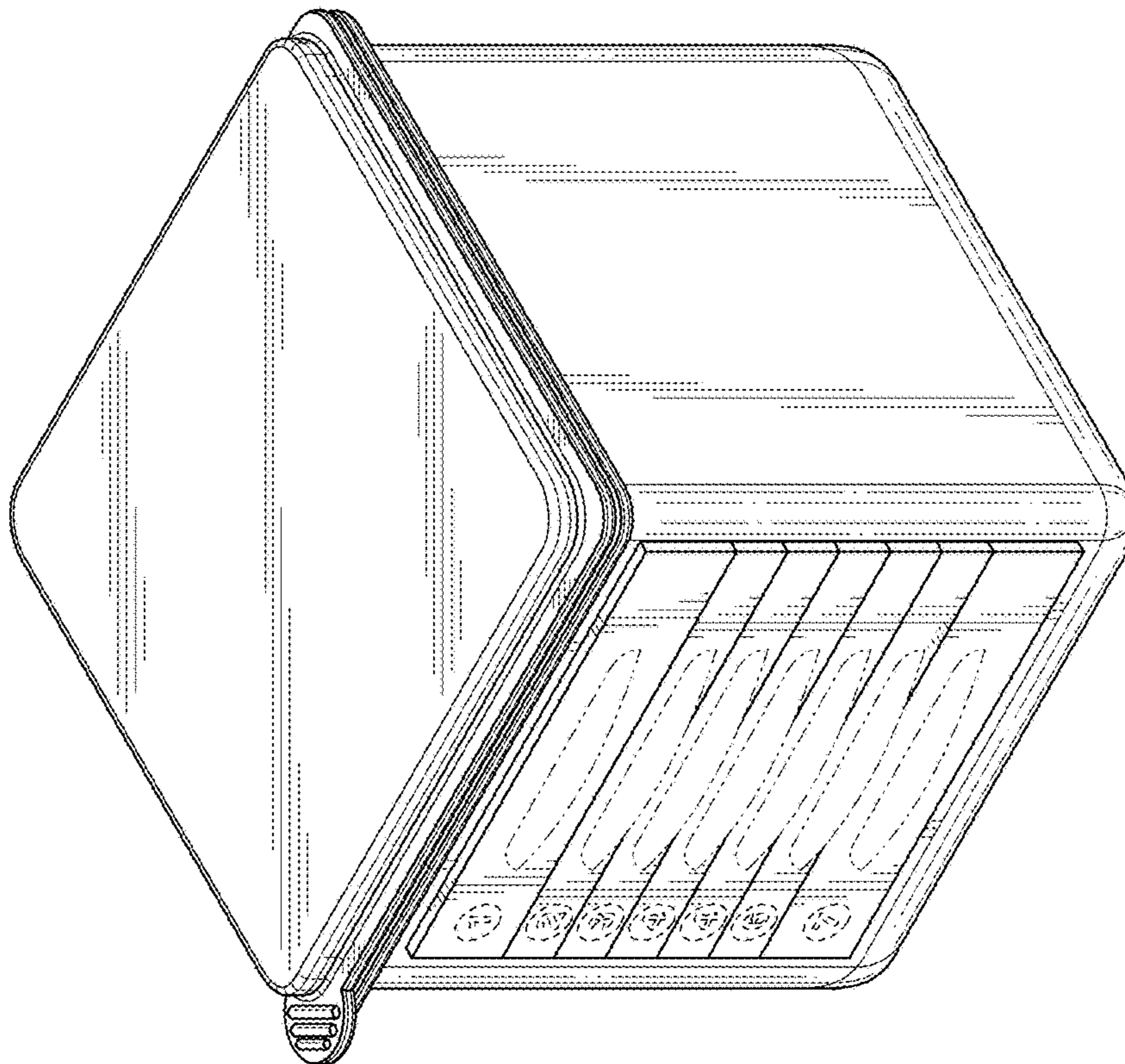


FIG. 2

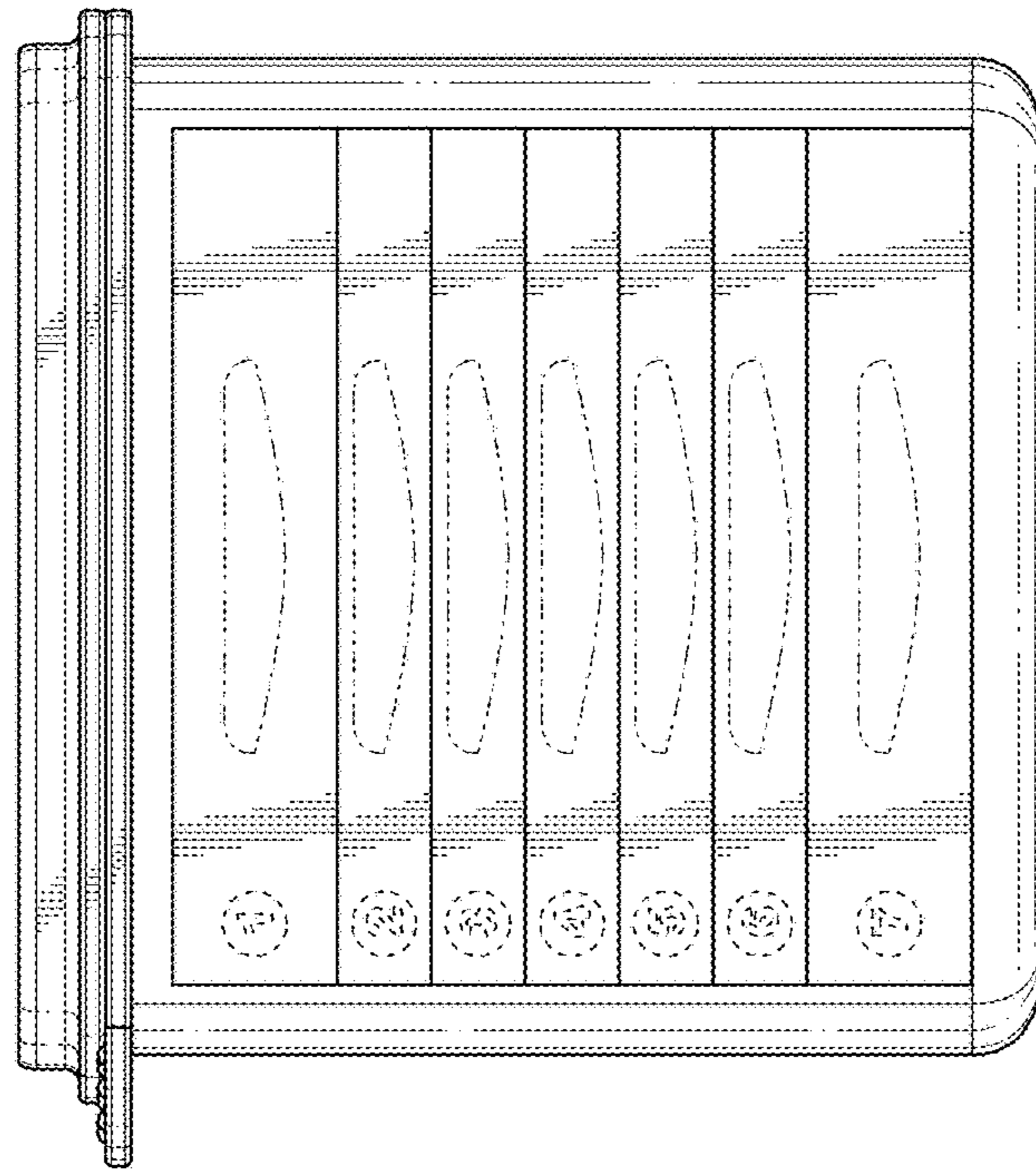


FIG. 3

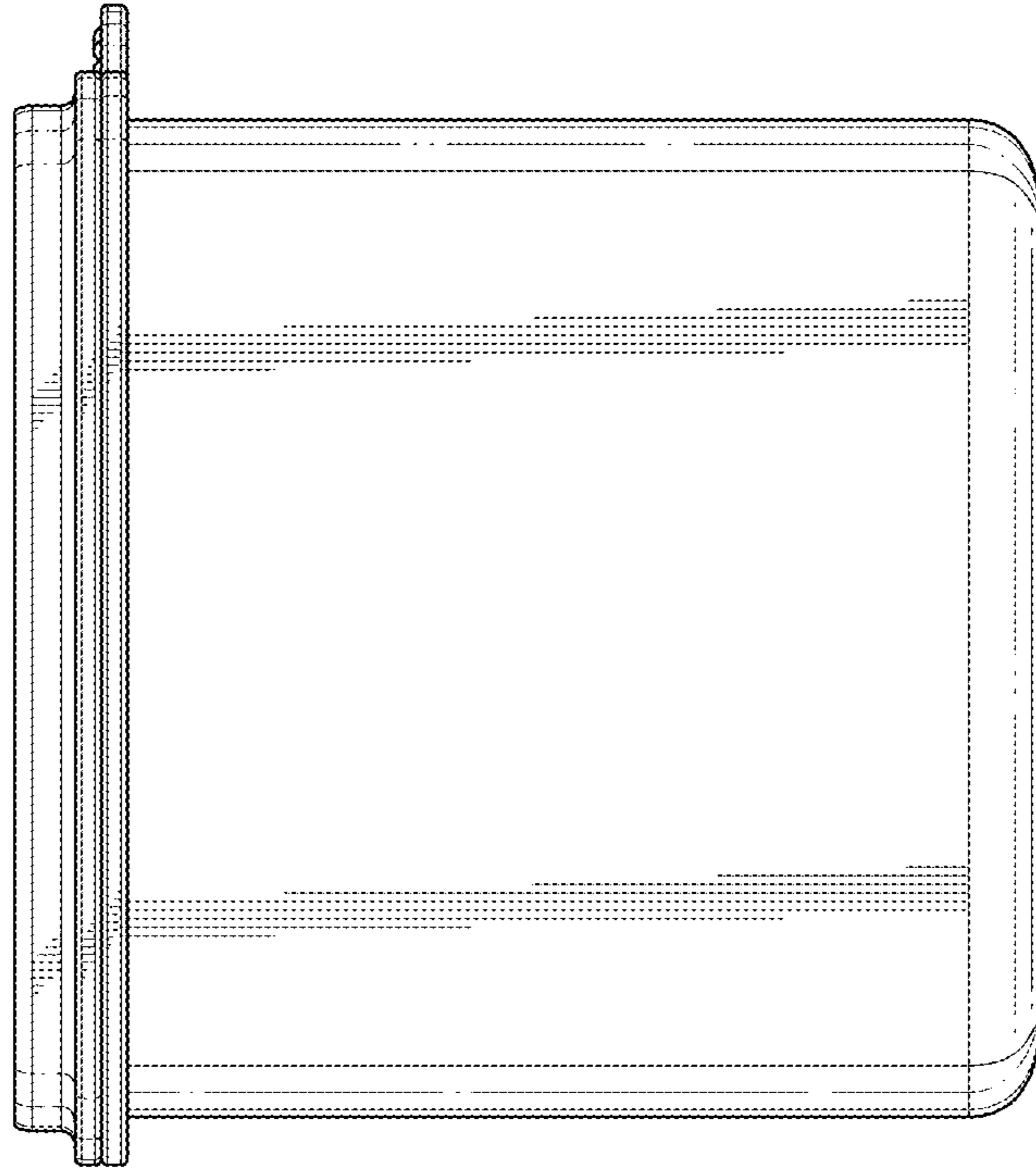


FIG. 4

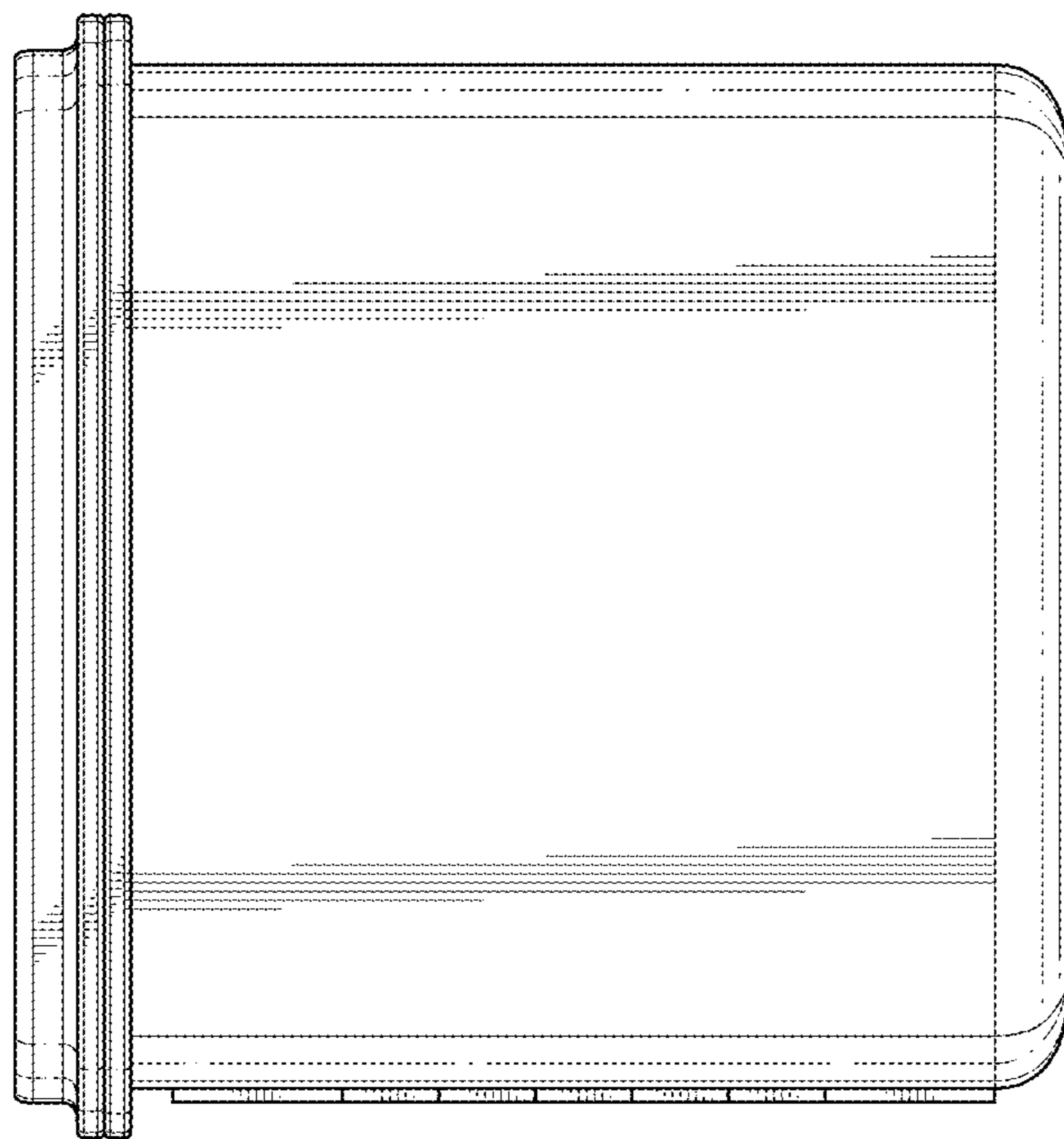


FIG. 5

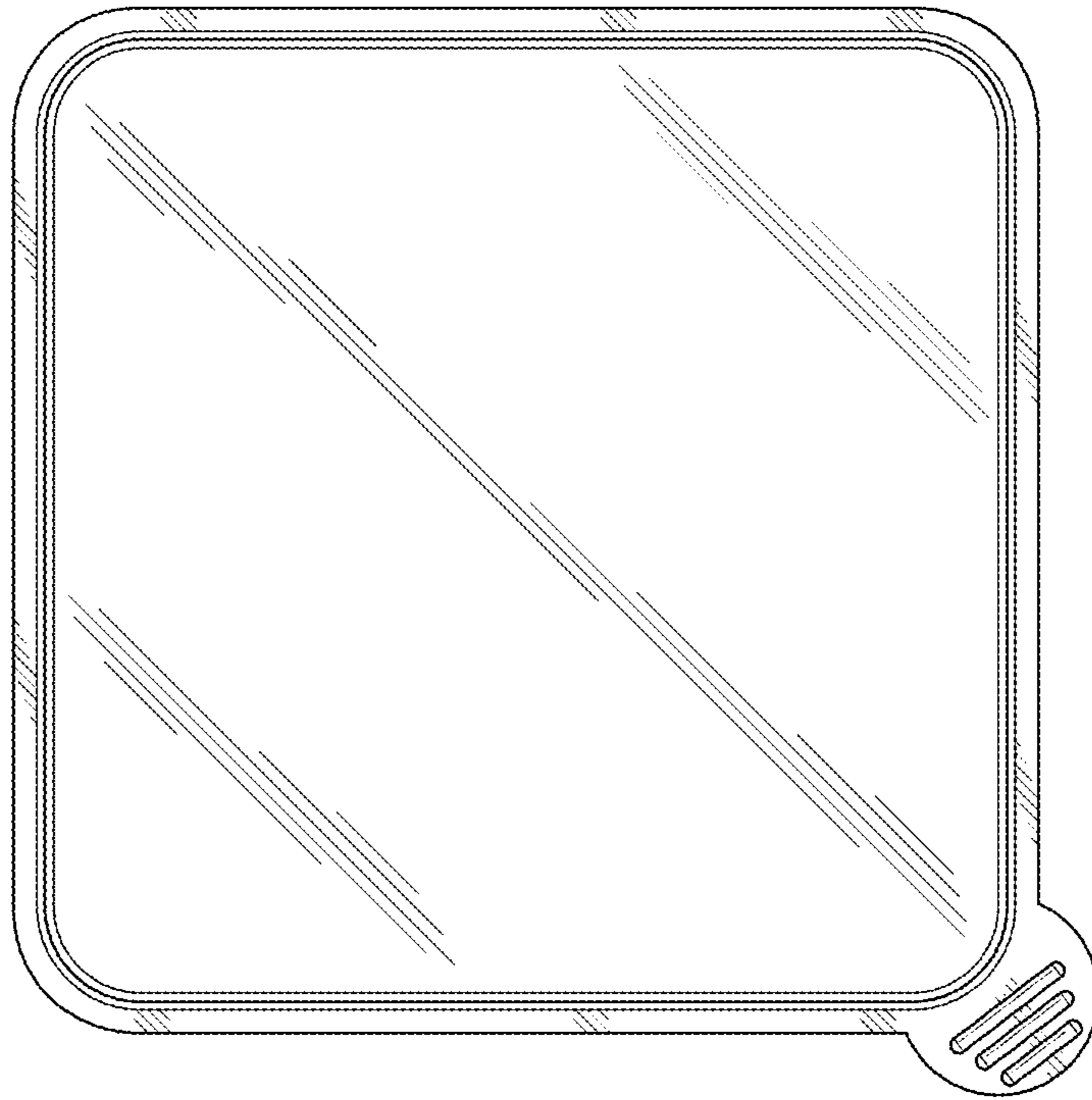


FIG. 7

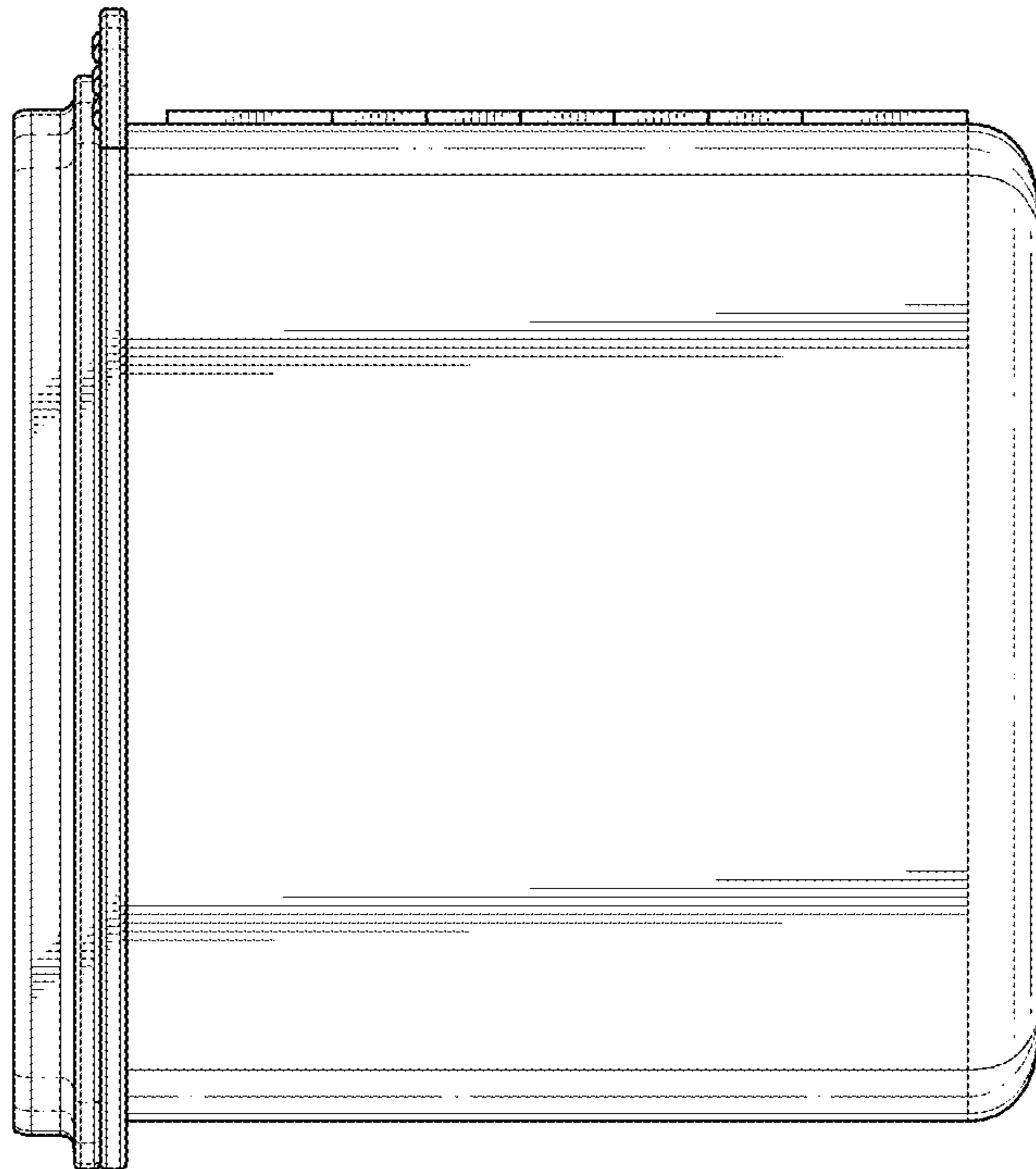


FIG. 6

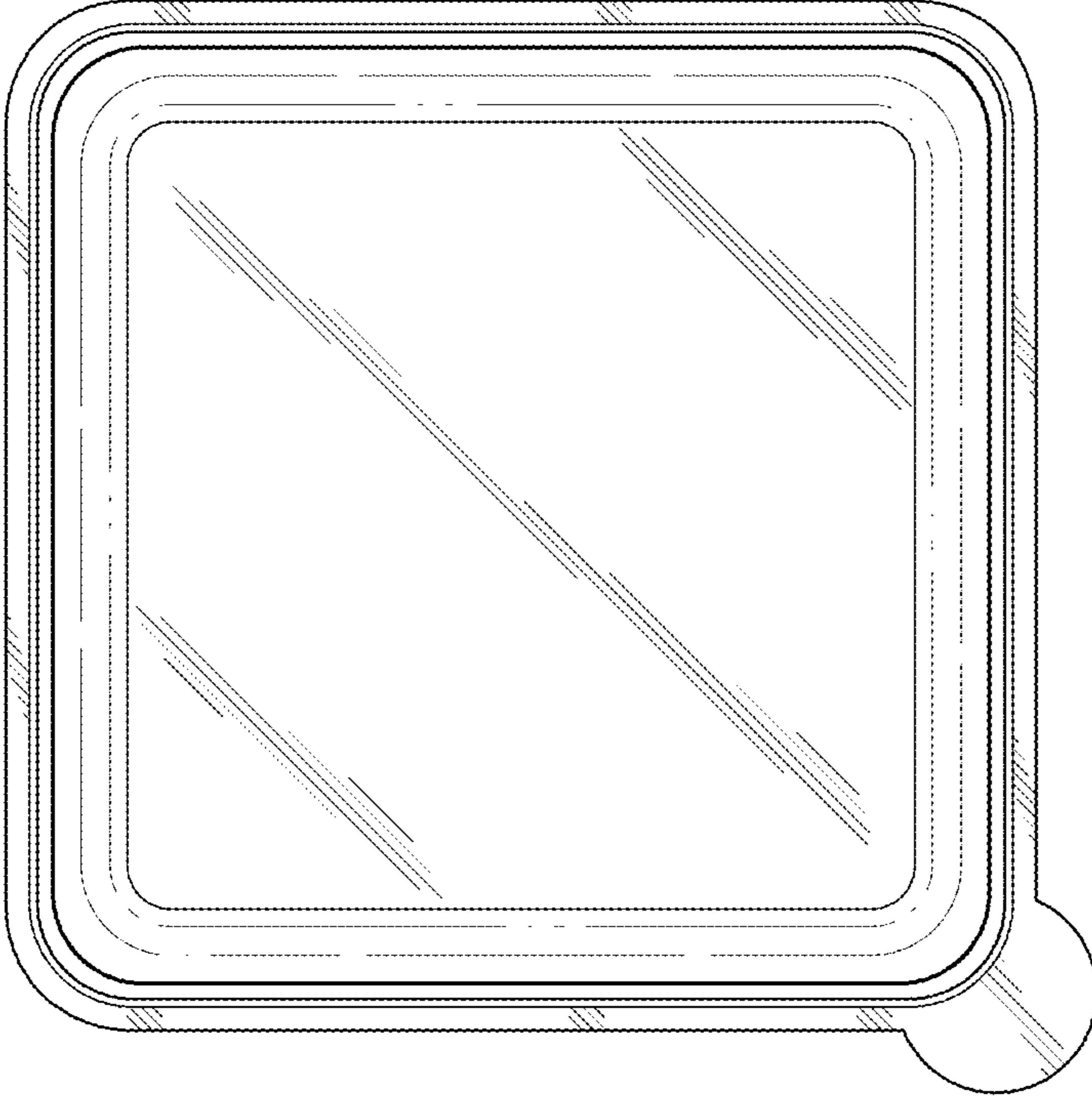


FIG. 8