



US00D779285S

(12) **United States Design Patent** (10) **Patent No.:** **US D779,285 S**
Seiders et al. (45) **Date of Patent:** **** Feb. 21, 2017**

(54) **BEVERAGE HOLDER**
(71) Applicant: **YETI Coolers, LLC**, Austin, TX (US)
(72) Inventors: **Roy Joseph Seiders**, Austin, TX (US);
John Alan Tolman, Austin, TX (US)
(73) Assignee: **YETI Coolers, LLC**, Austin, TX (US)
(**) Term: **15 Years**

D327,093 S 6/1992 Evenson
D345,676 S 4/1994 Biffle
D370,300 S 5/1996 Gottvald et al.
D375,870 S 11/1996 Stonehouse
D404,974 S 2/1999 Kristinik
D405,609 S 2/1999 Fu et al.
D408,689 S 4/1999 Kato
D442,833 S 5/2001 Shuman
(Continued)

(21) Appl. No.: **29/568,987**
(22) Filed: **Jun. 22, 2016**

Related U.S. Application Data

(63) Continuation of application No. 29/540,976, filed on Sep. 29, 2015, which is a continuation of application No. 29/500,908, filed on Aug. 29, 2014, now Pat. No. Des. 752,397.
(51) **LOC (10) Cl.** **07-01**
(52) **U.S. Cl.**
USPC **D7/624.2**
(58) **Field of Classification Search**
USPC D7/619.1-625, 701-708; D9/455
CPC A47G 23/0241; A47G 23/0266; A47G
19/2288; B65D 81/3881; B65D 81/3886
See application file for complete search history.

(56) **References Cited**

U.S. PATENT DOCUMENTS

D105,373 S 7/1937 Connor
D246,029 S 10/1977 Lynn et al.
D266,391 S 10/1982 Jordon
D286,604 S 11/1986 Bierlein et al.
D300,495 S 4/1989 Minuti
D301,821 S 6/1989 Bartolo
D322,753 S 12/1991 Sussman
D324,281 S 2/1992 Brusing
D324,976 S 3/1992 Katz

OTHER PUBLICATIONS

United States District Court Western District of Texas Austin Division, "Complaint for Damages and Injunctive Relief," *YETI Coolers, LLC v. Jennifer Leverne Bootz Evans d/b/a Bling and Burlap Buy In's and Blanks*, Case: 1:15-cv-00995, Document #1, filed Nov. 2, 2015, 128 pages.

(Continued)

Primary Examiner — Terry Wallace
(74) *Attorney, Agent, or Firm* — Banner & Witcoff, Ltd.

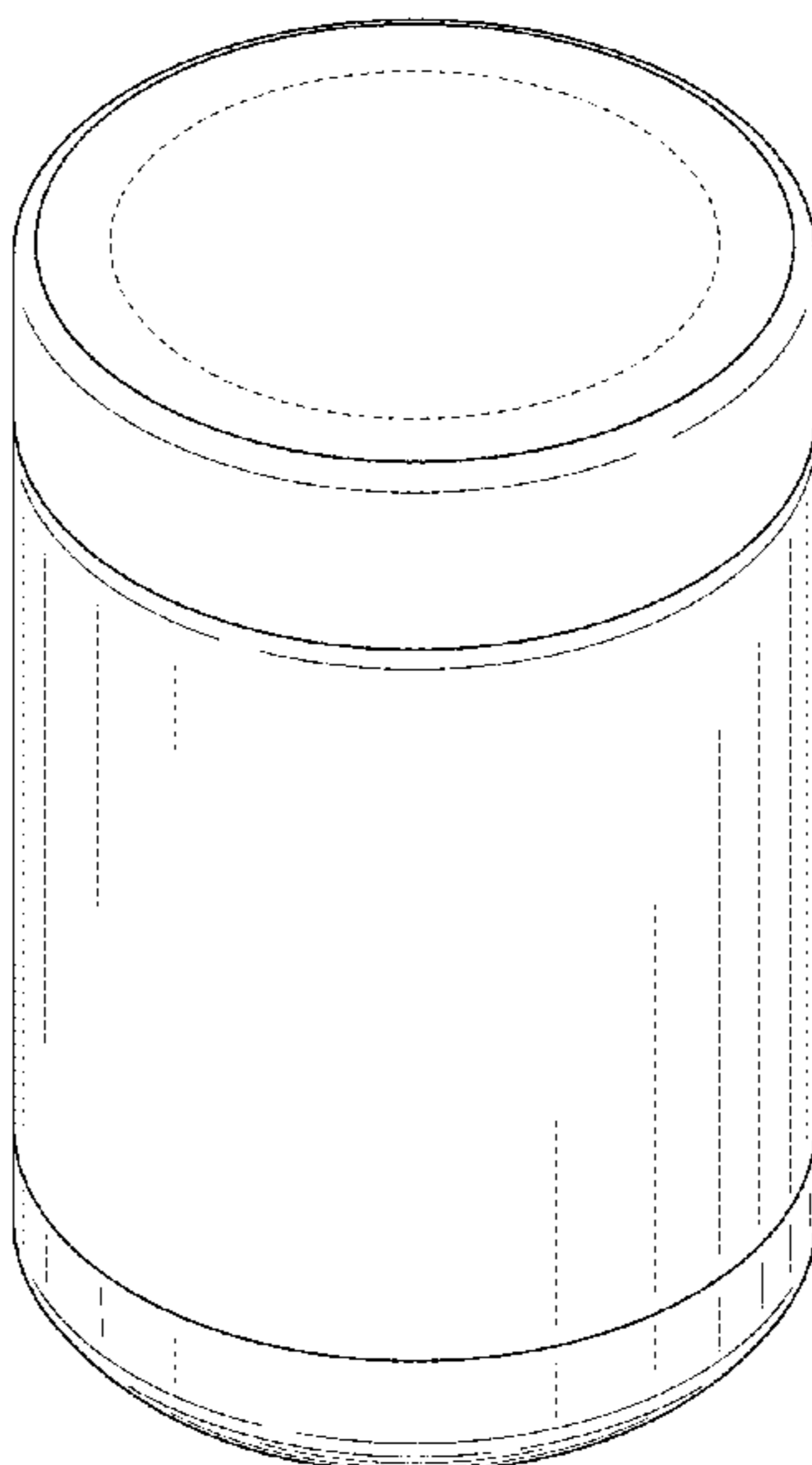
(57) **CLAIM**

The ornamental design for a beverage holder, as shown and described.

DESCRIPTION

FIG. 1 is a top, front, right perspective view of a beverage holder showing our new design;
FIG. 2 is a front view thereof;
FIG. 3 is a right side view thereof;
FIG. 4 is a rear view thereof;
FIG. 5 is a left side view thereof; and,
FIG. 6 is a top view thereof.
The undisclosed bottom view is not being claimed.
The broken lines showing the remainder of the beverage holder are for environmental purposes only and form no part of the claimed design.

1 Claim, 4 Drawing Sheets



(56)

References Cited

U.S. PATENT DOCUMENTS

| | | | |
|----------------|---------|-----------------------|----------------------------|
| D455,052 S * | 4/2002 | Gullickson | D7/619.1 |
| D455,612 S * | 4/2002 | Gullickson | D7/608 |
| D466,814 S | 12/2002 | Hurlburt | |
| D470,724 S | 2/2003 | Basara | |
| D471,064 S | 3/2003 | Renz | |
| D474,651 S | 5/2003 | Ward | |
| 6,626,326 B2 * | 9/2003 | Murakami | B65D 81/3881 220/23.87 |
| D483,995 S | 12/2003 | Otake | |
| D497,778 S | 11/2004 | Rich | |
| H2217 H | 6/2008 | Smay et al. | |
| D585,245 S | 1/2009 | Brouillette | |
| D593,372 S | 6/2009 | Carreno | |
| D593,811 S | 6/2009 | Carreno | |
| D617,608 S | 6/2010 | Yang et al. | |
| D622,554 S | 8/2010 | Carreno | |
| D629,657 S | 12/2010 | Carreno | |
| D641,591 S | 7/2011 | Tsukida | |
| D660,084 S | 5/2012 | Gilbert | |
| D660,655 S | 5/2012 | Wahl et al. | |
| D663,169 S | 7/2012 | Beggins et al. | |
| D666,061 S | 8/2012 | Ying | |
| 8,251,247 B1 * | 8/2012 | Breckner | A47G 23/0241 220/592.16 |
| D675,066 S | 1/2013 | Conlin et al. | |
| D679,960 S | 4/2013 | Hopkins et al. | |
| D680,387 S | 4/2013 | Hopkins et al. | |
| D682,625 S | 5/2013 | Lane | |
| D682,626 S | 5/2013 | Lane | |
| D685,231 S | 7/2013 | Lane | |
| D694,112 S | 11/2013 | Brown | |
| D695,138 S | 12/2013 | Ball | |
| D710,155 S | 8/2014 | Tatsukawa | |
| D715,101 S | 10/2014 | Grcic | |
| D719,788 S | 12/2014 | Soltz et al. | |
| D721,546 S | 1/2015 | Davidson | |
| D727,688 S | 4/2015 | Hewitt et al. | |
| D728,314 S | 5/2015 | Carstensen et al. | |
| D729,581 S | 5/2015 | Boroski | |
| D731,251 S | 6/2015 | Lane | |
| D732,347 S | 6/2015 | Katterheinrich et al. | |
| D734,096 S | 7/2015 | George et al. | |

OTHER PUBLICATIONS

United States District Court Western District of Texas Austin Division, "Order Dismissing Case," *YETI Coolers, LLC v. Jennifer Levene Bootz Evans d/b/a Bling and Burlap Buy In's and Blanks*, Case: 1:15-cv-00995-RP, Document #18, filed Apr. 18, 2016, 1 page.

United States District Court Western District of Texas Austin Division, "Complaint for Damages and Injunctive Relief," *YETI Coolers, LLC v. RTIC Coolers, LLC*, Case: 1:16-cv-00264, Document #1, filed Mar. 2, 2016, 34 pages.

United States District Court Western District of Texas Austin Division, "Defendants' Answer and Counterclaims to YETI's First

Amended Complaint for Damages and Injunctive Relief," *YETI Coolers, LLC v. RTIC Coolers, LLC, RTIC Drinkware, LLC, RTIC Web Services, LLC, Corporate Support & Fulfillment, LLC, John Jacobsen, and James Jacobsen*, Case: 1:16-cv-00264-RP, Document #25, filed Jun. 13, 2016, 42 pages.

United States District Court Western District of Texas Austin Division, "YETI Coolers, LLC's First Amended Complaint," *YETI Coolers, LLC v. RTIC Coolers, LLC, RTIC Drinkware, LLC, RTIC Web Services, LLC, Corporate Support & Fulfillment, LLC, John Jacobsen, and James Jacobsen*, Case: 1:16-cv-00264-RP, Document #15, filed May 16, 2016, 110 pages.

United States District Court Western District of Texas Austin Division, "Complaint for Damages and Injunctive Relief," *YETI Coolers, LLC v. Tree Leaf Marketing, LLC, d/b/a Big Frig*, Case: 1:16-cv-00699, Document #1, filed Jun. 17, 2016, 33 pages.

United States District Court Western District of Texas Austin Division, "Complaint for Damages and Injunctive Relief," *YETI Coolers, LLC v. Wal-Mart Stores, Inc.*, Case: 1:16-cv-00454, Document #1, filed Apr. 8, 2016, 29 pages.

United States District Court Western District of Texas Austin Division, "Joint Rule 26(f) Report and Discovery Plan," *YETI Coolers, LLC v. Wal-Mart Stores, Inc. and Olympia Tools International, Inc.*, Case: 1:16-cv-00454-RP, Document #129, filed Jul. 28, 2016, 8 pages.

United States District Court Western District of Texas Austin Division, "Olympia Tools International, Inc.'s Answer to YETI Coolers, LLC's First Amended Complaint," *YETI Coolers, LLC v. Wal-Mart Stores, Inc. and Olympia Tools International, Inc.*, Case: 1:16-cv-00454-RP, Document #28, filed Jul. 14, 2016, 12 pages.

United States District Court Western District of Texas Austin Division, "Wal-Mart Stores, Inc.'s Answer to First Amended Complaint," *YETI Coolers, LLC v. Wal-Mart Stores, Inc. and Olympia Tools International, Inc.*, Case: 1:16-cv-00454-RP, Document #22, filed Jun. 7, 2016, 13 pages.

United States District Court Western District of Texas Austin Division, "First Amended Complaint for Damages and Injunctive Relief," *YETI Coolers, LLC v. Wal-Mart Stores, Inc. and Olympia Tools International, Inc.*, Case: 1:16-cv-00454-RP, Document #17, filed May 24, 2016, 26 pages.

"Siskiyou Sports CCS48F Oklahoma Sooners Flame Can Cooler", published on Jul. 9, 2014, retrieved from <<http://www.sears.com/siskiyou-sports-ccs48f-oklahoma-sooners-flame-can-cooler/p-SPM7376348303>> on Sep. 16, 2016.

"Mini Keg Coozies! Beer Inside Kegs!", published by Chad Dukes on Dec. 18, 2013, retrieved from <<http://beerandpig.com/category/beer/page/2/>> on Sep. 16, 2016.

"Stainless Steel Can Cooler", published on Apr. 6, 2014, retrieved from <<http://www.belpromo.com/nd/detail.php?c=34&p=KZSS001&s=mvp23g56>> on Sep. 22, 2016.

"Stanley Vacuum Insulated Container—Thermos bottle", published on Feb. 24, 2012, retrieved from <<https://www.youtube.com/watch?v=UCMjqZiNU3o>> on Sep. 23, 2016.

"Hooler the handheld cooler", published on Apr. 12, 2014, retrieved from <https://web.archive.org/web/20140412062054/http://www.hoolercooler.com/> on Aug. 4, 2015.

* cited by examiner

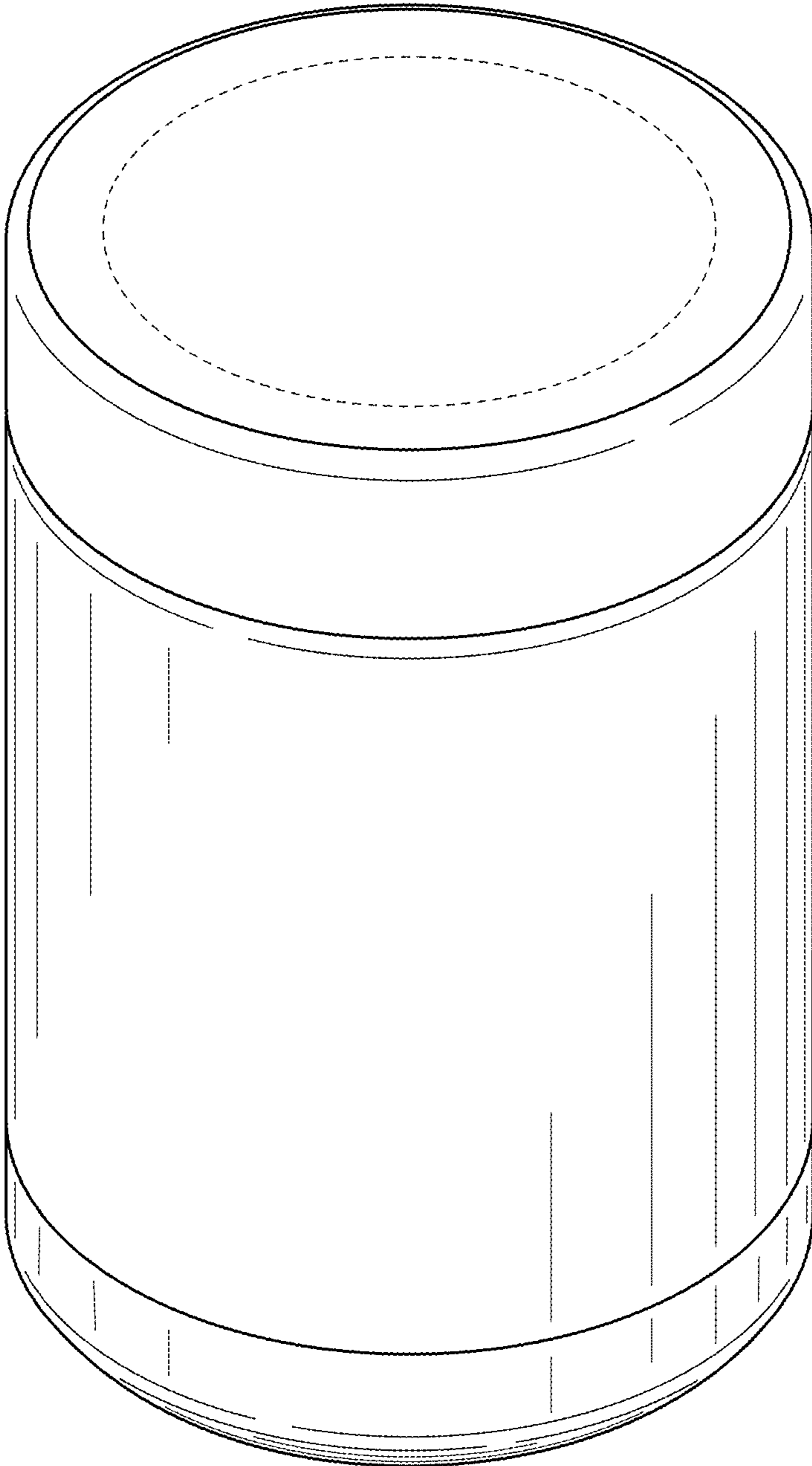


FIG. 1

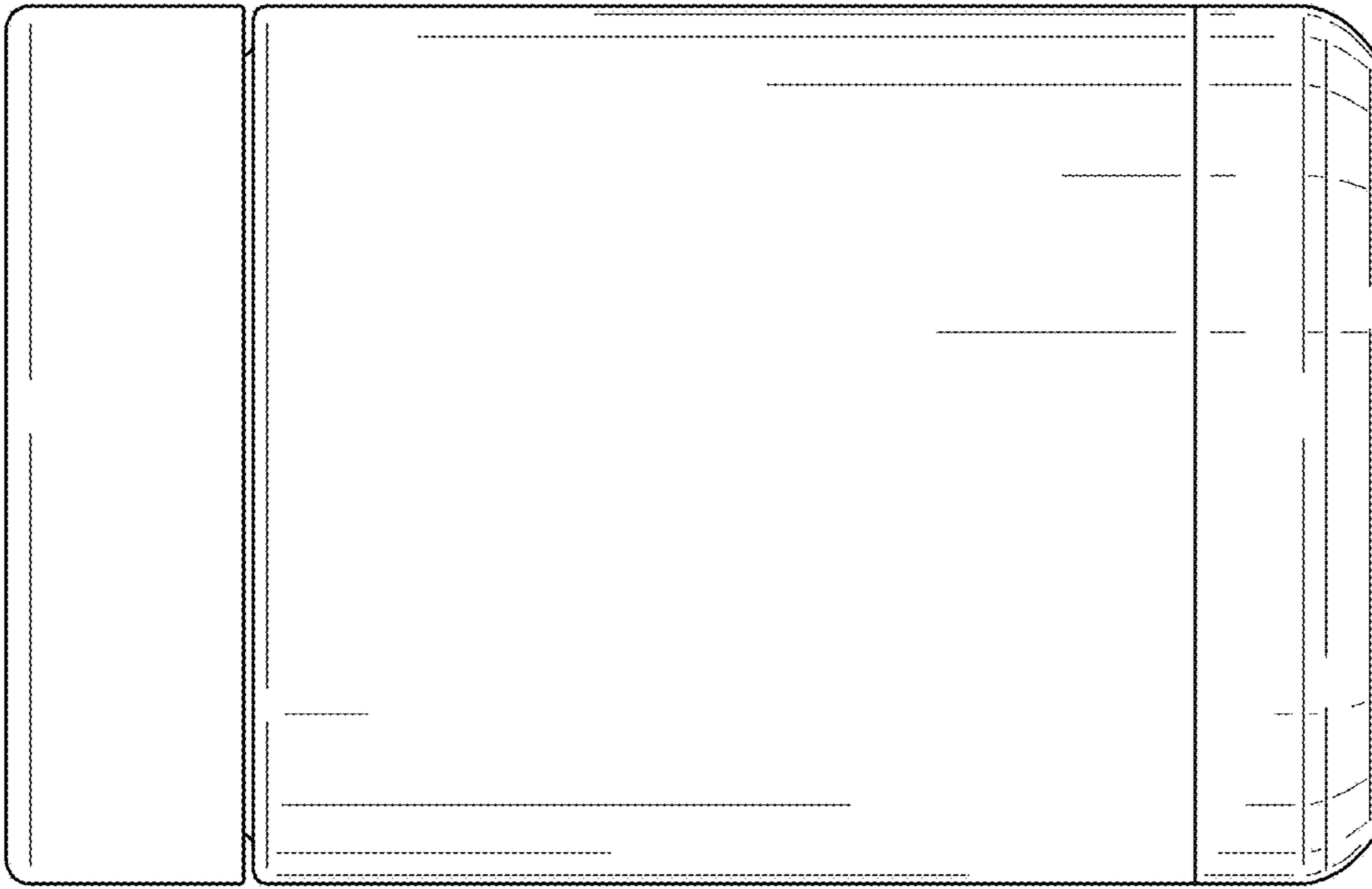


FIG. 3

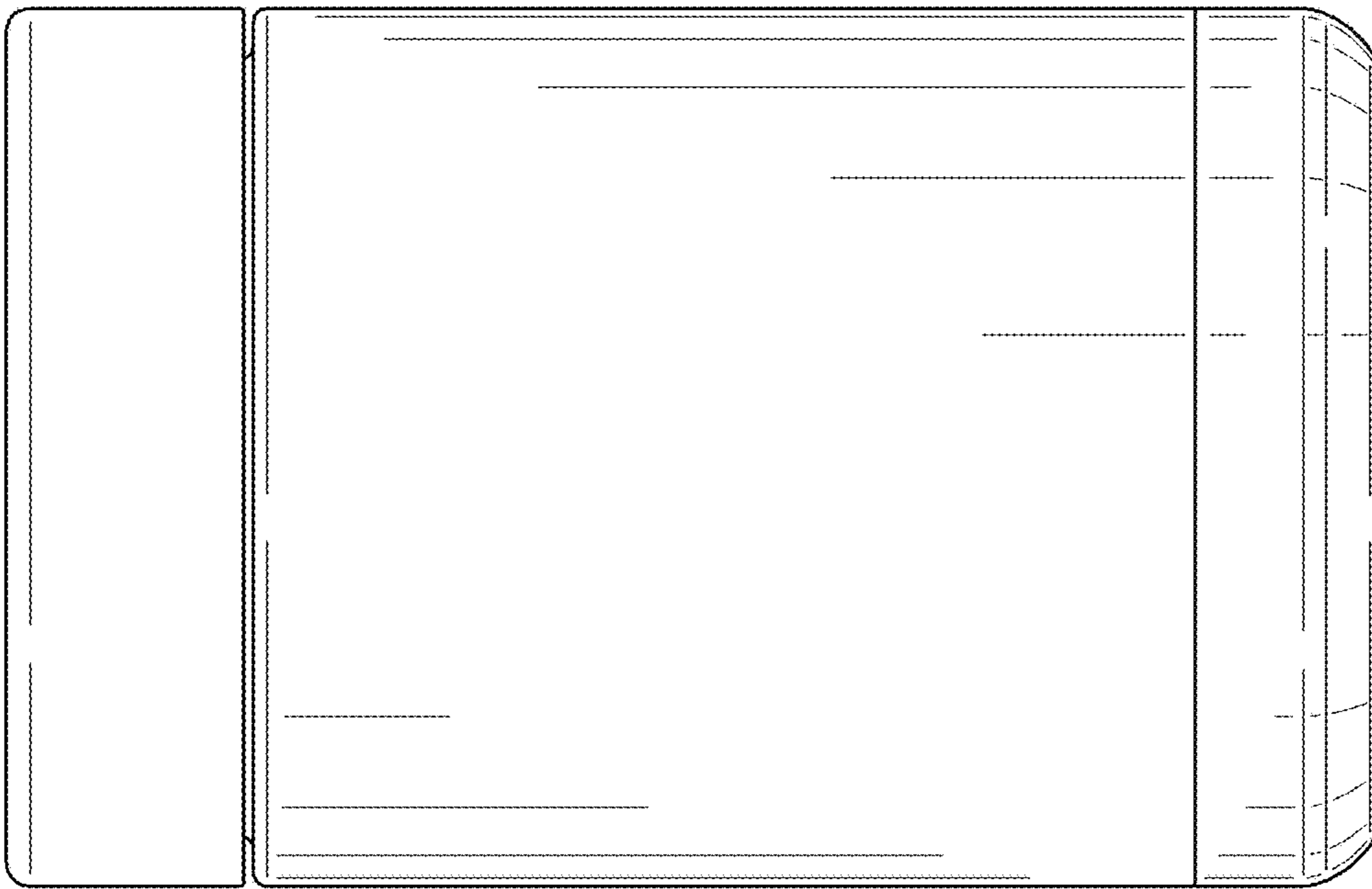


FIG. 2

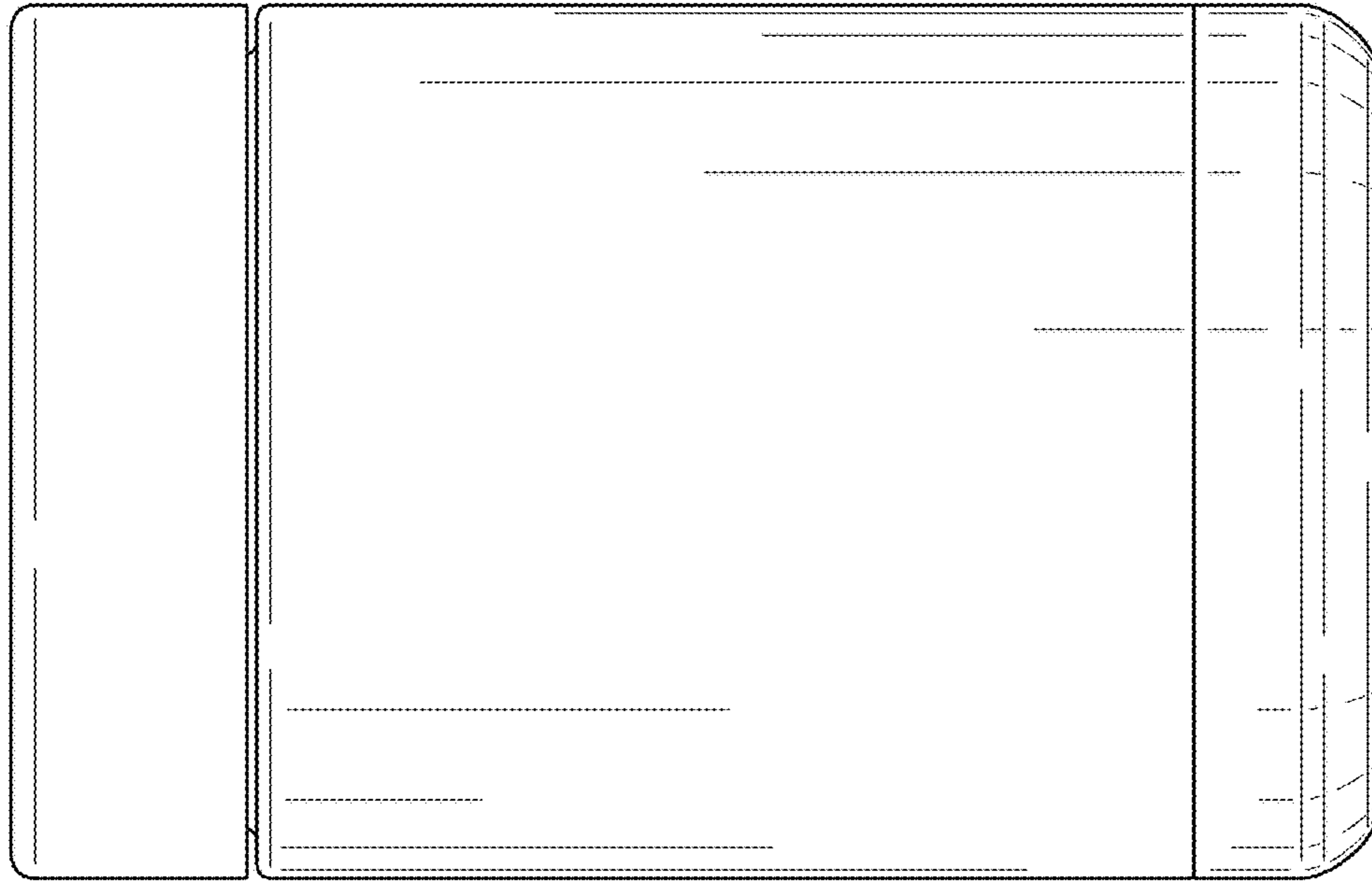


FIG. 5

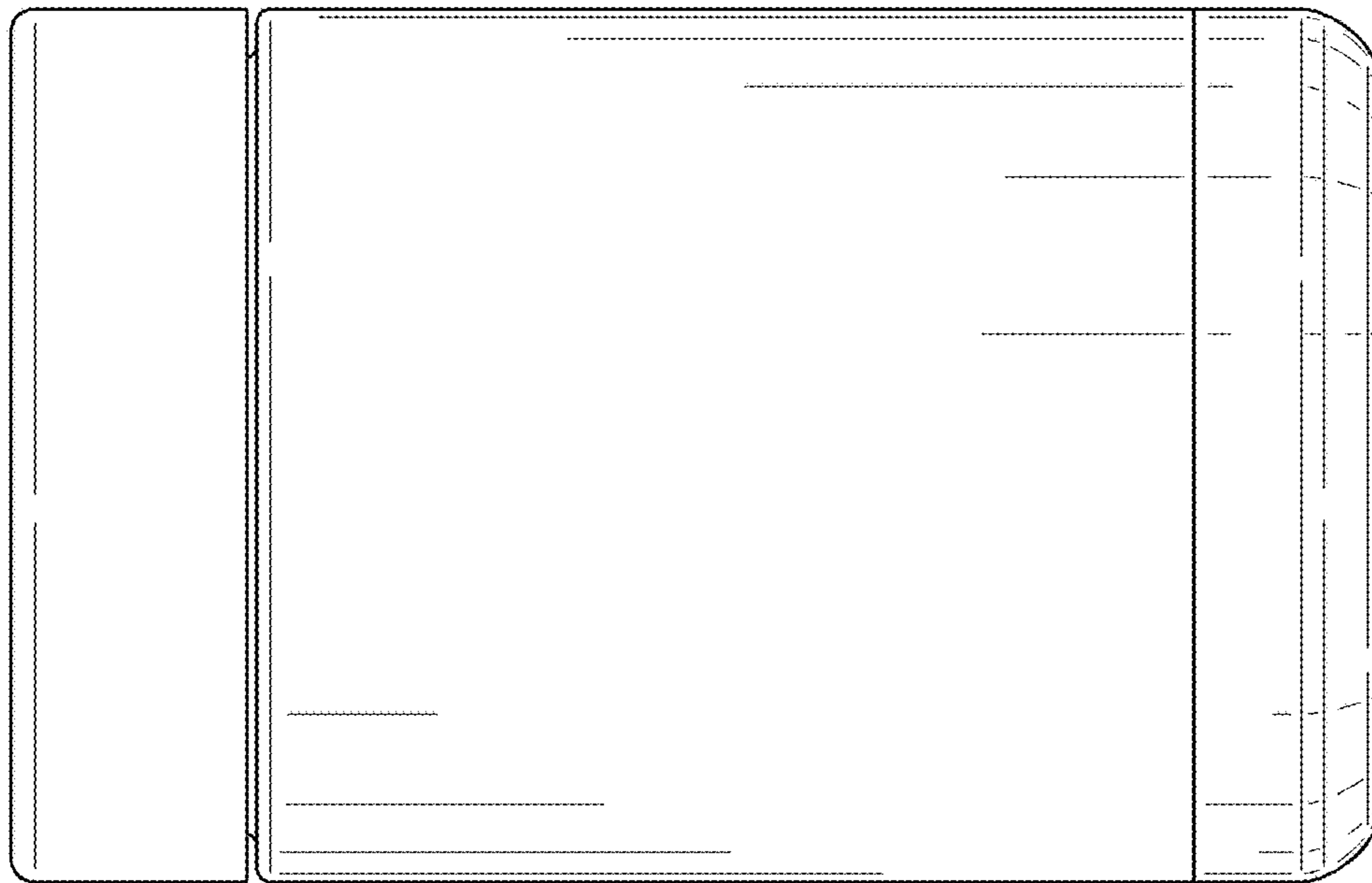


FIG. 4

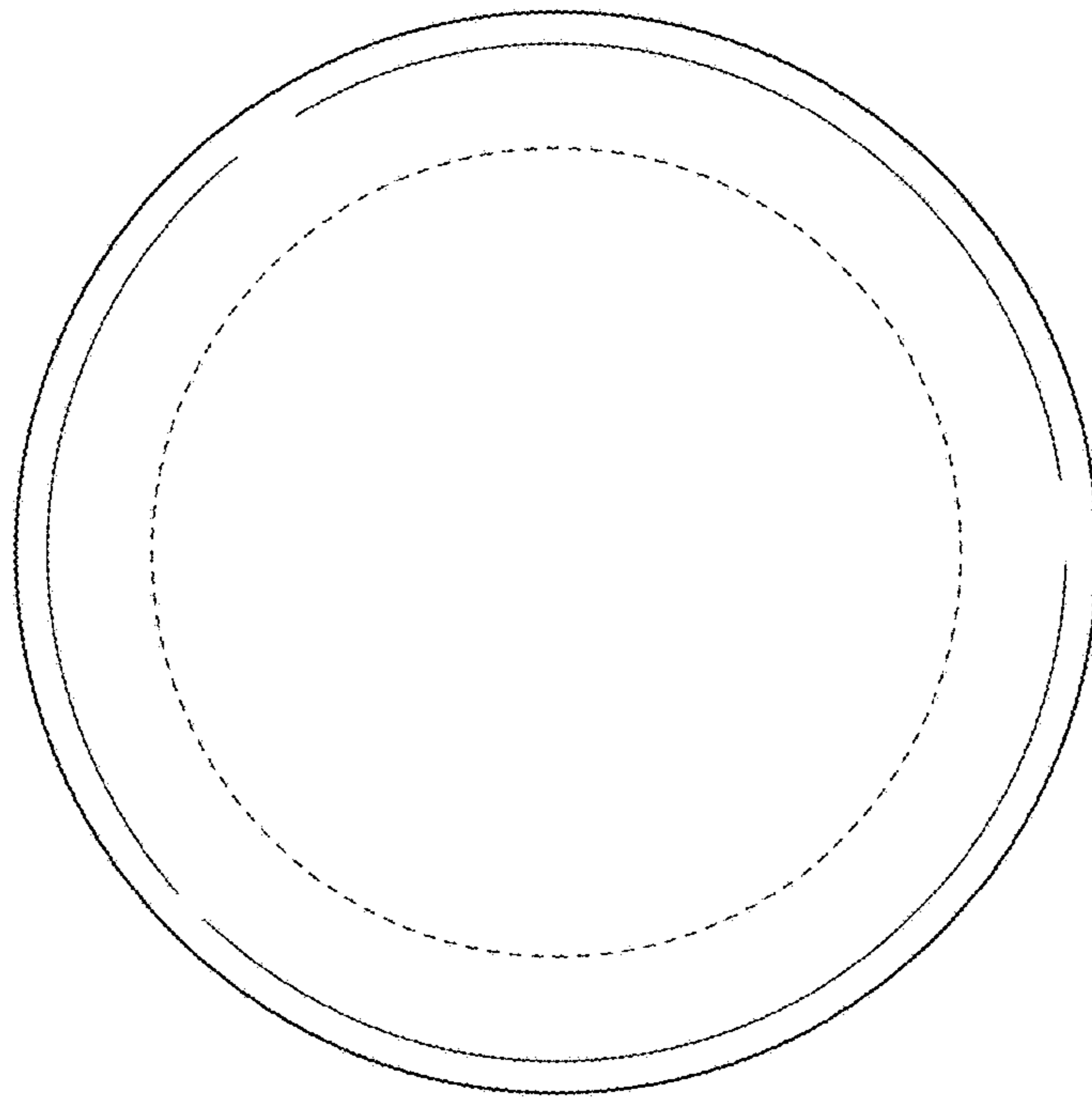


FIG. 6