



US00D779284S

(12) **United States Design Patent**
LaFavers et al.

(10) **Patent No.:** **US D779,284 S**

(45) **Date of Patent:** **** Feb. 21, 2017**

(54) **CUP HOLDER**

(71) Applicant: **Tech and Goods Inc.**, Decatur, GA (US)

(72) Inventors: **Carson LaFavers**, Decatur, GA (US);
Keefe Butler, Brooklyn, NY (US)

(73) Assignee: **TECH AND GOODS INC.**, Decatur, GA (US)

(**) Term: **14 Years**

(21) Appl. No.: **29/524,989**

(22) Filed: **Apr. 24, 2015**

(51) **LOC (10) Cl.** **07-06**

(52) **U.S. Cl.**
USPC **D7/620**

(58) **Field of Classification Search**
USPC D7/601, 602, 619.1, 620, 701, 708.1;
D3/202, 229; D12/419, 420; 220/737;
228/309.1, 310, 311.2, 313; 297/188.14,
297/188.18
CPC A47B 55/00; A47B 55/02; A47B 73/00;
A47B 73/002; A47B 73/004; A47B
73/006; A47B 73/008; A47B
69/00; A47G 23/0266; B65D
81/18; B65D 81/3876; B65D 81/3886
See application file for complete search history.

(56) **References Cited**

U.S. PATENT DOCUMENTS

D303,915 S * 10/1989 Knutson D11/27
D346,996 S * 5/1994 Blackburn D12/411

D447,012 S * 8/2001 Owens D7/620
7,284,737 B2 * 10/2007 Kane A47G 23/0225
248/226.11
D612,691 S * 3/2010 Barnes, Jr. D7/620

* cited by examiner

Primary Examiner — Keli L Hill

(74) *Attorney, Agent, or Firm* — Howard & Howard
Attorneys PLLC

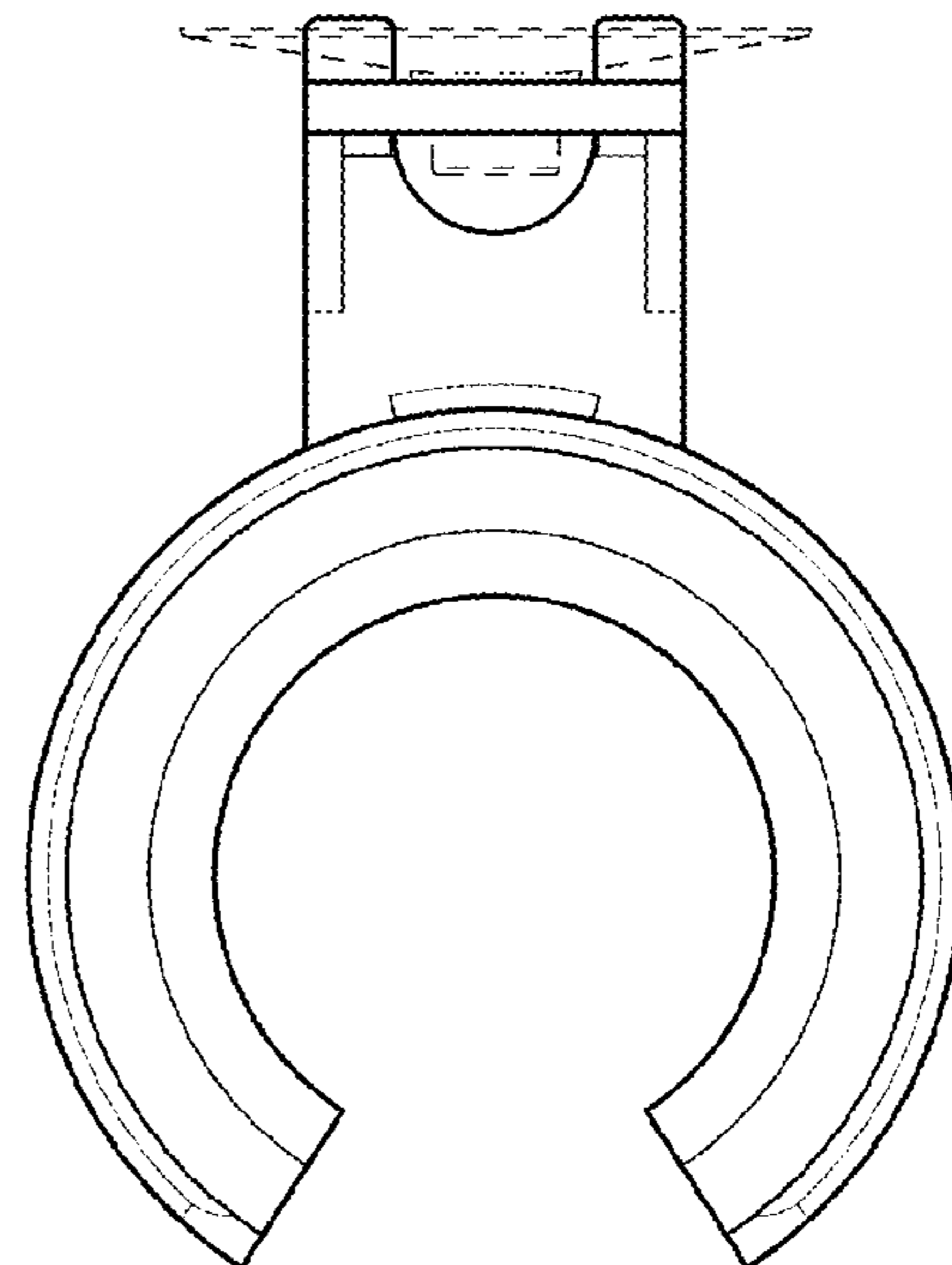
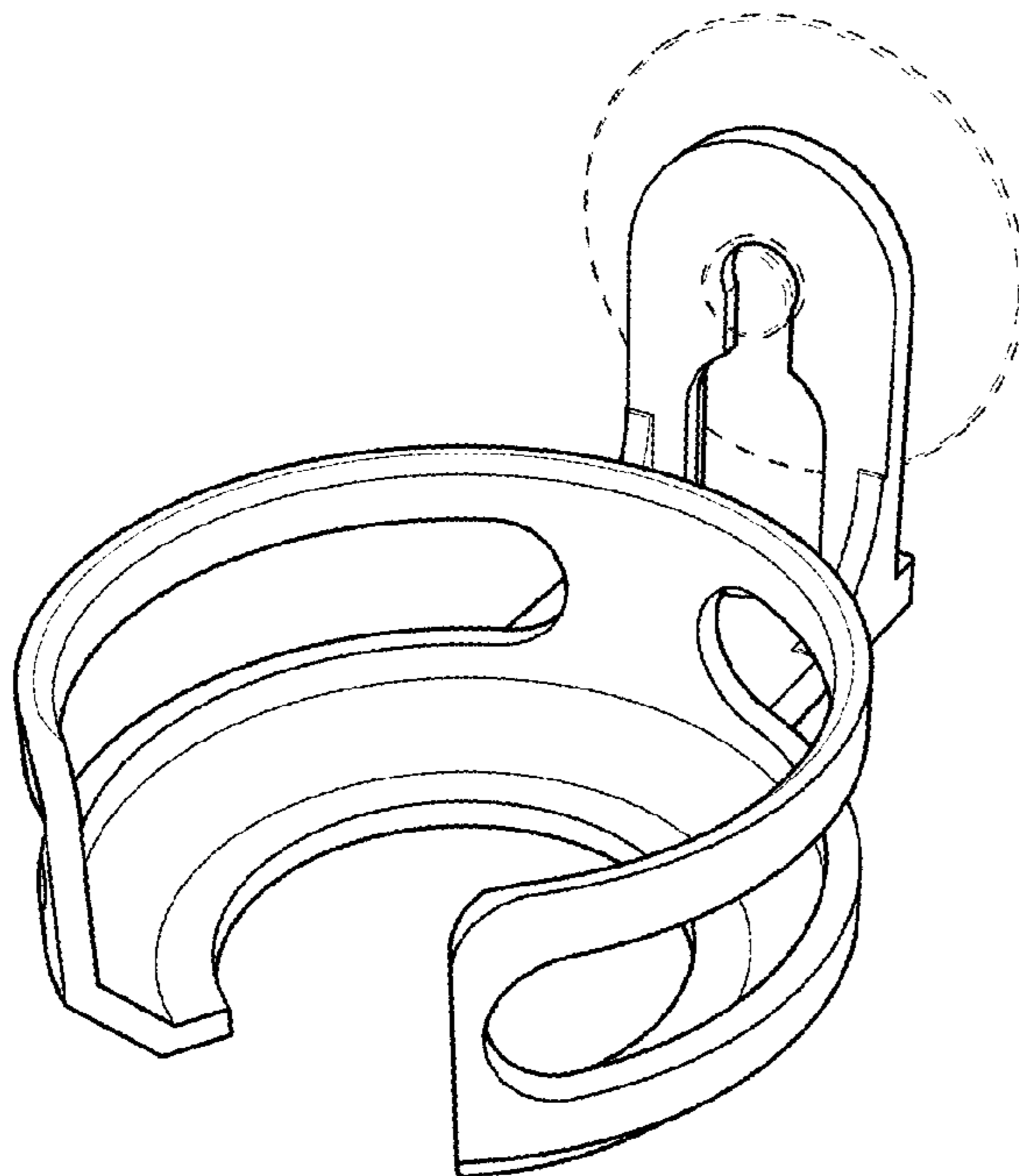
(57) **CLAIM**

We claim the ornamental design for a cup holder, as shown and described.

DESCRIPTION

FIG. 1 is a perspective view of the new design of a cup holder;
FIG. 2 is a front view of the cup holder shown in FIG. 1;
FIG. 3 is a rear view of the cup holder shown in FIG. 1;
FIG. 4 is right side elevation view of the cup holder shown in FIG. 1;
FIG. 5 is a left side elevation view of the cup holder shown in FIG. 1;
FIG. 6 is a top view of the cup holder shown in FIG. 1; and,
FIG. 7 is a bottom view of the cup holder shown in FIG. 1.
The broken lines shown are included for the purpose of illustrating portions of the cup holder that form no part of the claim.

1 Claim, 4 Drawing Sheets



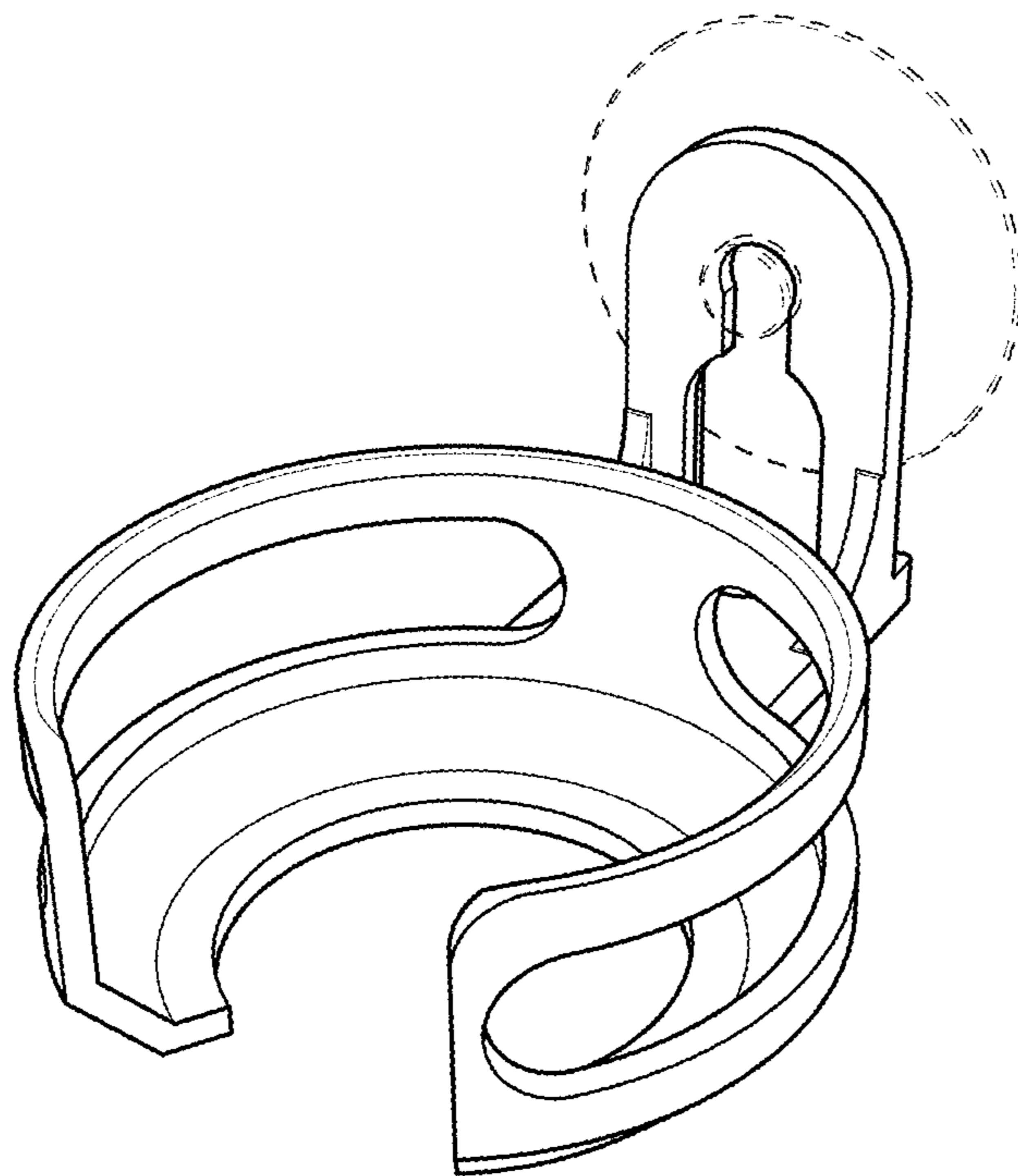


FIG. 1

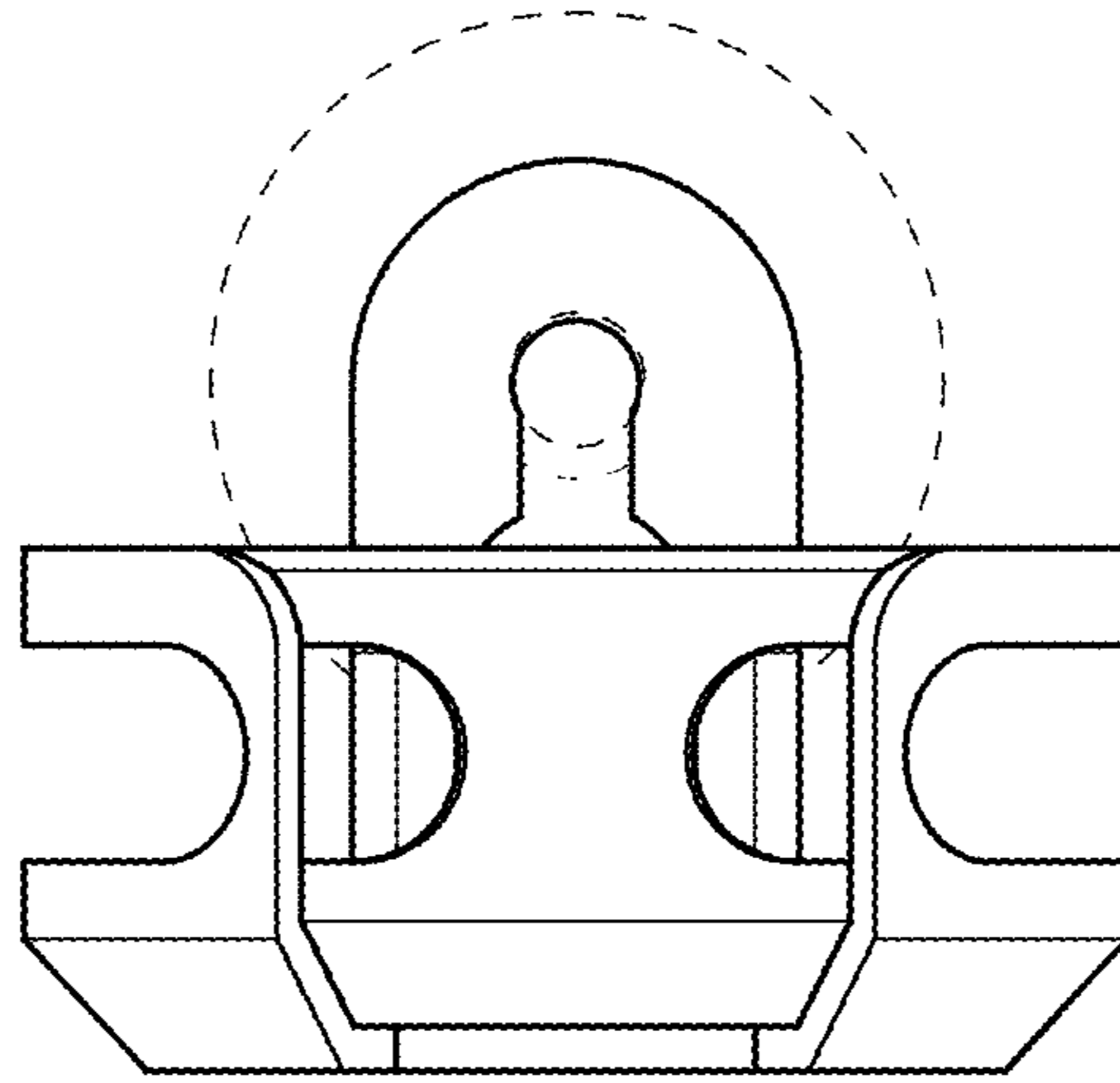


FIG. 2

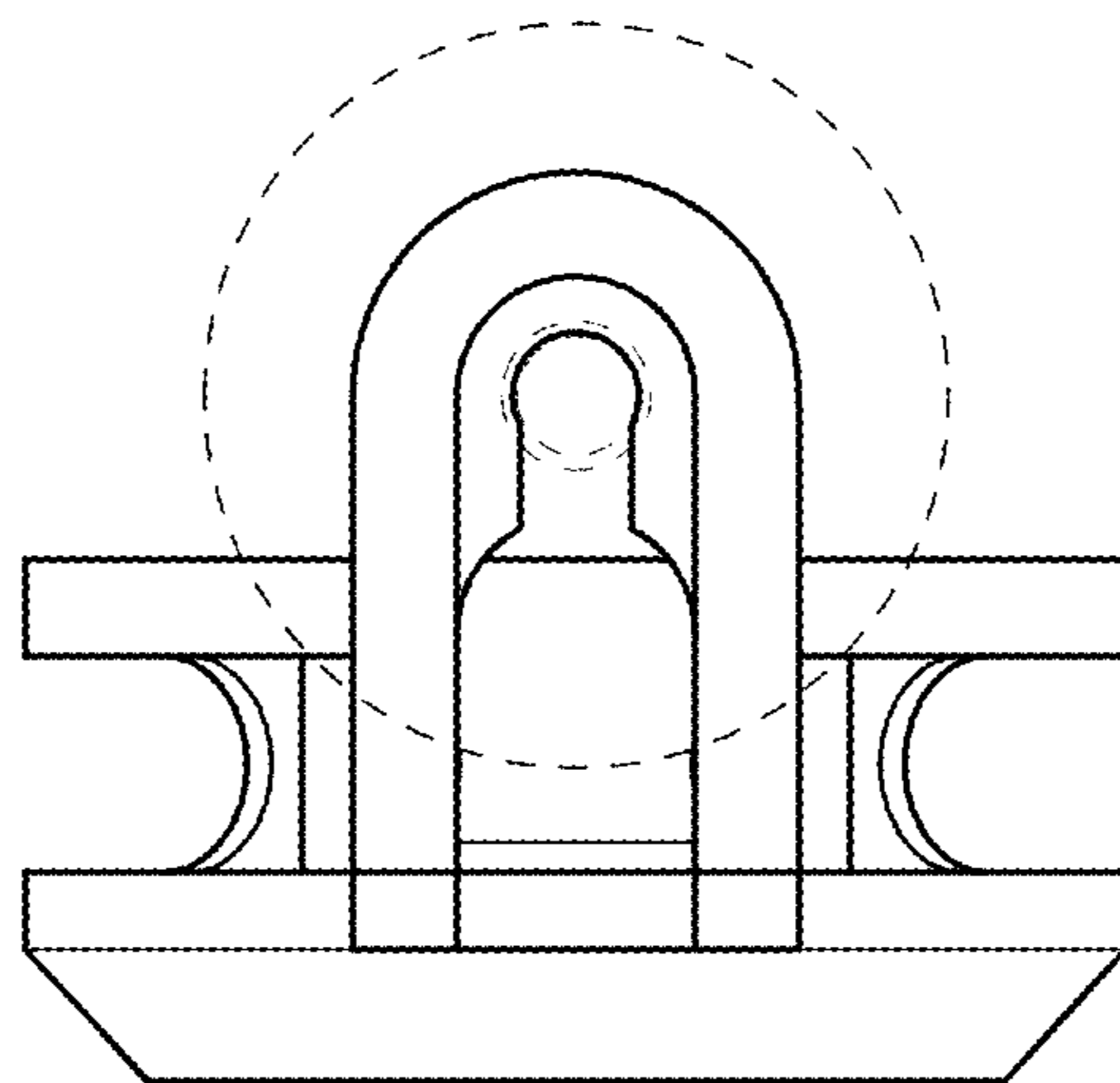


FIG. 3

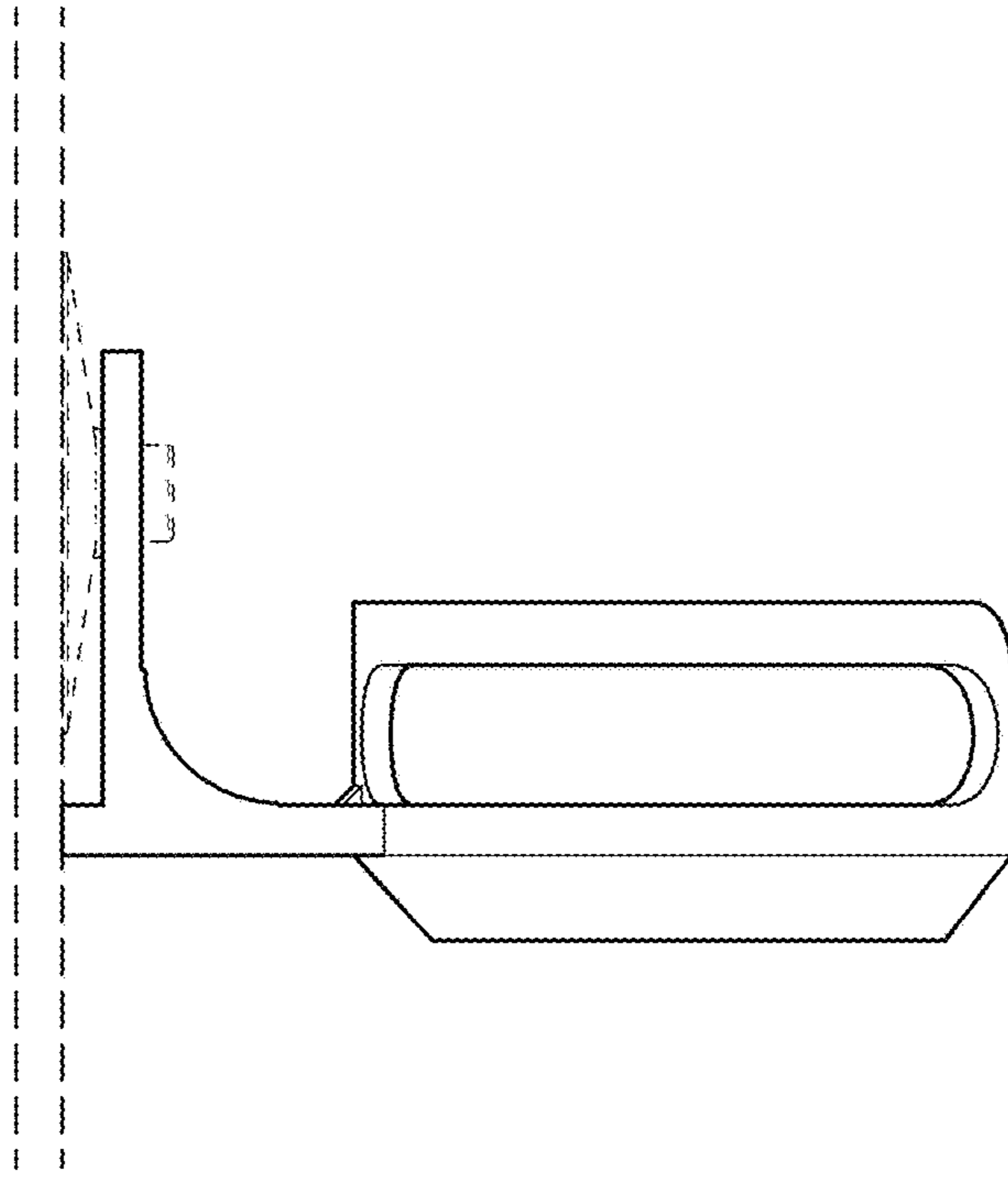


FIG. 4

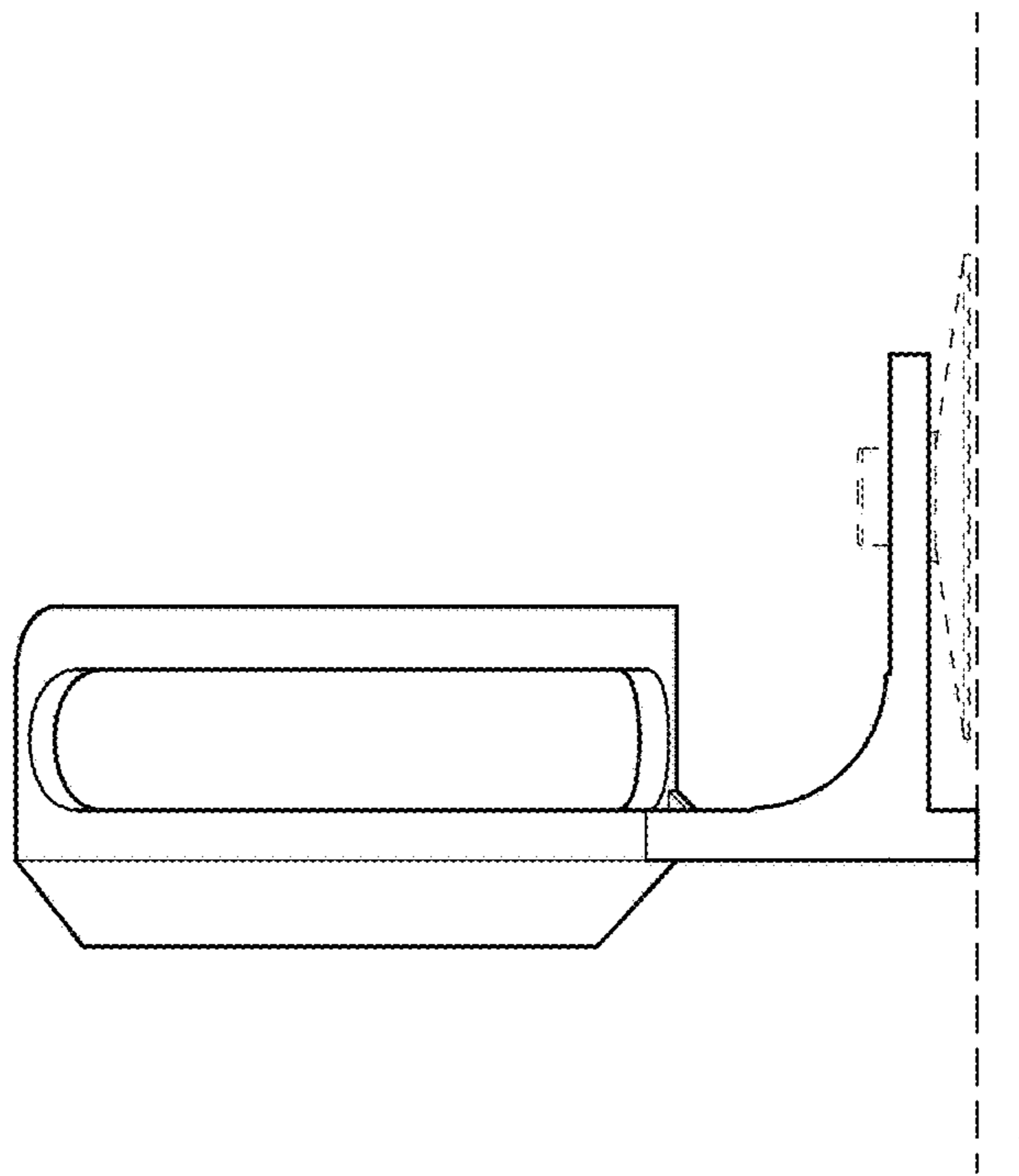


FIG. 5

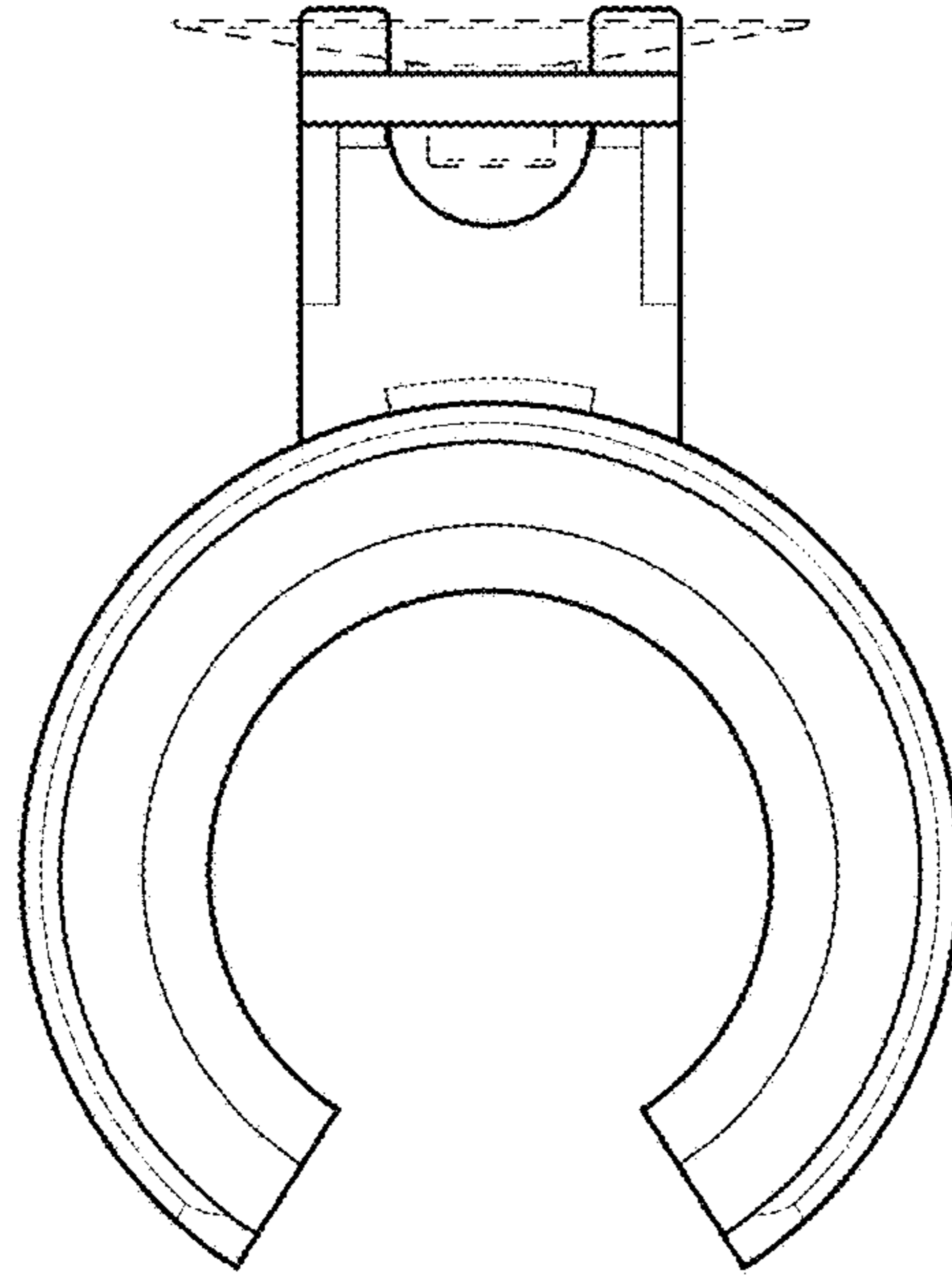


FIG. 6

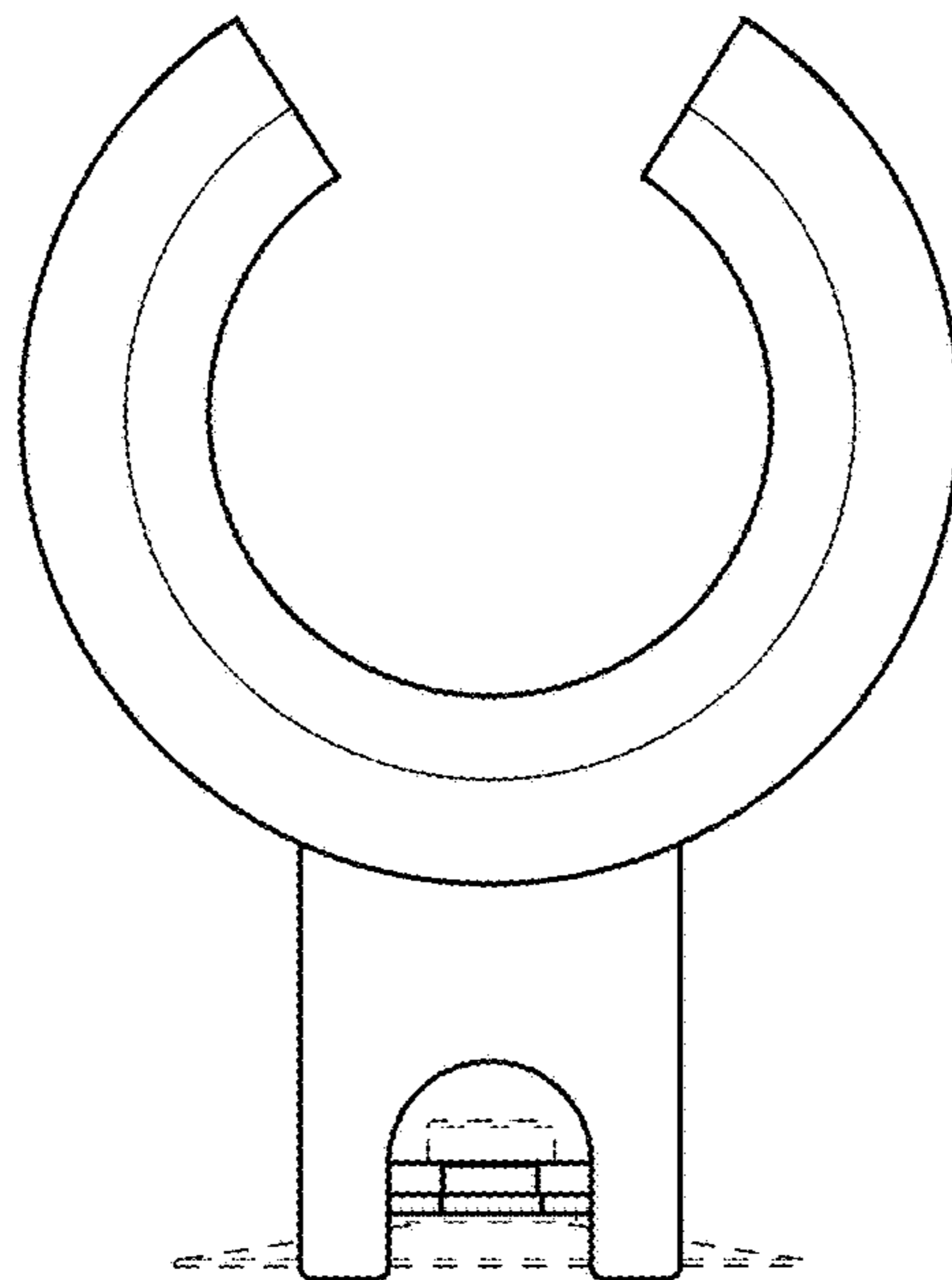


FIG. 7