



US00D779283S

(12) **United States Design Patent** (10) **Patent No.:** **US D779,283 S**
Furneaux et al. (45) **Date of Patent:** **** Feb. 21, 2017**

(54) **CORK-LINED CONTAINER**

D566,479 S * 4/2008 Kabalin D3/273
D587,072 S * 2/2009 Friedman D7/605
D592,910 S * 5/2009 Hanson D7/605

(71) Applicant: **Cork Coolers, LLC**, Roswell, GA (US)

(Continued)

(72) Inventors: **Todd McLean Furneaux**, Roswell, GA (US); **Jennifer Marin Earnest**, Mabelton, GA (US)

FOREIGN PATENT DOCUMENTS

GB 510240 7/1939

(73) Assignee: **Sovaro Coolers, LLC**, Roswell, GA (US)

OTHER PUBLICATIONS

(**) Term: **14 Years**

Sovaro, 45 QT Cooler Black, publication date unknown, [site visited Sep. 27, 2016], Available on the Internet URL: <<http://www.sovaro.com/coolers/45-qt-cooler.html>>.*

(21) Appl. No.: **29/506,075**

(Continued)

(22) Filed: **Oct. 13, 2014**

(51) **LOC (10) Cl.** **07-01**

Primary Examiner — Susan Bennett Hattan

(52) **U.S. Cl.**

Assistant Examiner — S. Bryan Reinholdt, Jr.

USPC **D7/605**

(74) *Attorney, Agent, or Firm* — McHale & Slavin, P.A.

(58) **Field of Classification Search**

USPC D3/273; D7/602, 603, 604, 605, 606, D7/607, 608, 629; 62/239; 220/739

(57) **CLAIM**

CPC B60H 1/32
See application file for complete search history.

The ornamental design for a cork-lined container, as shown and described.

(56) **References Cited**

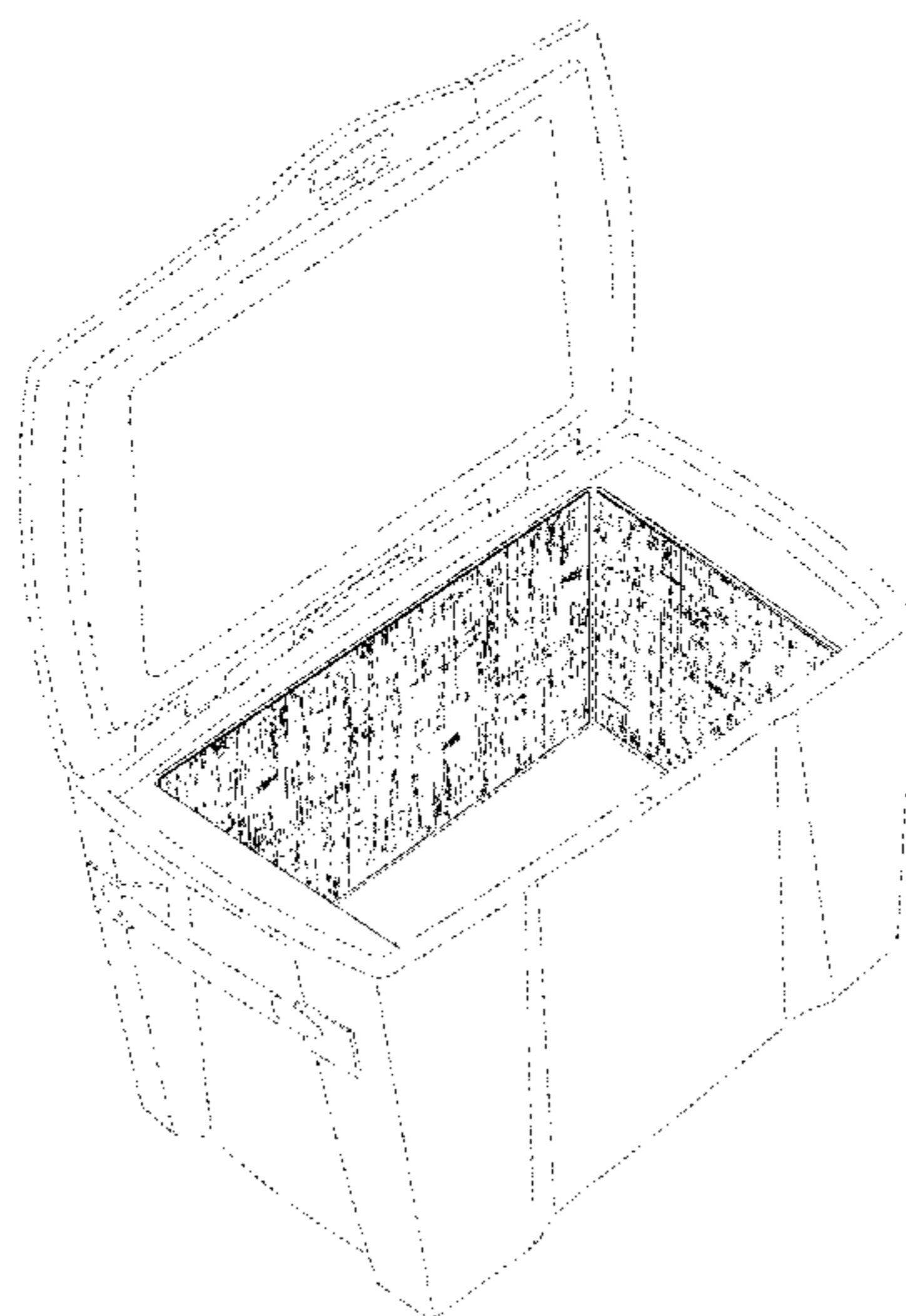
DESCRIPTION

U.S. PATENT DOCUMENTS

2,380,121	A	7/1945	Robertson	
2,485,647	A	10/1949	Norquist	
3,161,031	A	12/1964	Flannery	
3,777,418	A	12/1973	Cooper	
D232,798	S *	9/1974	Roche D7/605
4,047,633	A	9/1977	Trombly	
4,551,988	A	11/1985	Petrantoni	
4,873,841	A *	10/1989	Bradshaw A45C 5/14 280/47.17
5,718,336	A	2/1998	Haarlander	
6,089,395	A	7/2000	Karttunen et al.	
6,256,914	B1	7/2001	Yeh	
6,471,059	B2	10/2002	Purvis	
7,066,347	B2	6/2006	Slovak et al.	
7,147,125	B1	12/2006	Slovak et al.	
7,178,673	B1	2/2007	Miller	

FIG. 1 is a front, left side isometric view of a cork-lined container.
FIG. 2 is a top isometric view of the cork-lined container of FIG. 1;
FIG. 3 is a front view of the cork-lined container of FIG. 1; and,
FIG. 4 is a right side view of the cork-lined container of FIG. 1, with the left side being a mirror image thereof.
The broken lines depict portions of the cork-lined container that form no part of the claimed design. The portions of the container not illustrated, including the top, rear and bottom of the container, form no part of the claimed design.

1 Claim, 4 Drawing Sheets



(56)

References Cited

U.S. PATENT DOCUMENTS

D634,982	S	3/2011	Melchert et al.	
7,938,285	B2	5/2011	Raichlen et al.	
7,950,249	B1	5/2011	White et al.	
D650,175	S	12/2011	Lee	
D651,860	S *	1/2012	Nie	D7/605
D652,262	S *	1/2012	Yang	D7/605
8,327,659	B2	12/2012	Winkler et al.	
D731,250	S *	6/2015	Butler	D7/605
2006/0144077	A1	7/2006	Morris	
2006/0243365	A1	11/2006	Chiapuzio et al.	
2008/0245793	A1	10/2008	Hanson et al.	
2011/0296850	A1	12/2011	McDonald	
2012/0279937	A1	11/2012	Sciuchetti	
2013/0153584	A1	6/2013	Balleck	
2013/0334238	A1	12/2013	Goforth	
2016/0023837	A1 *	1/2016	Furneaux	B65D 81/3823 220/592.11

OTHER PUBLICATIONS

“The Crystal Clear Cooler,” imaged retrieved from the Internet: <http://www.clearcooler.com#!images/c10WK>. [publicly available at least as early as Oct. 12, 2014], 1 page.

“YETI Tundra Divder 35/45 Short,” retrieved from the Internet: https://www.amazon.com/YETI-Tundra-Divder-45-Short/dp/B00H58MLZ2/ref=sr_1_201?s=outdoor-recreation&ie=UTF8&qid=1388647560&sr=1-201 [publicly available at least as early as Jan. 2, 2014], 3 pages.

“Champagne Cork Cooler—Buy Cooler, Champagne Cork Champagne Product on Alibaba.com,” image retrieved from the Internet: www.alibaba.com/product-gs/524731024/Chapagne_cork_cooler.html, [publicly available at least as early as Jan. 2, 2014], 3 pages.

“The Crystal Clear Cooler,” imaged retrieved from the Internet: <http://www.clearcooler.com#!images/c10WK>. [publicly available at least as early as Oct. 12, 2014], 2 pages.

* cited by examiner

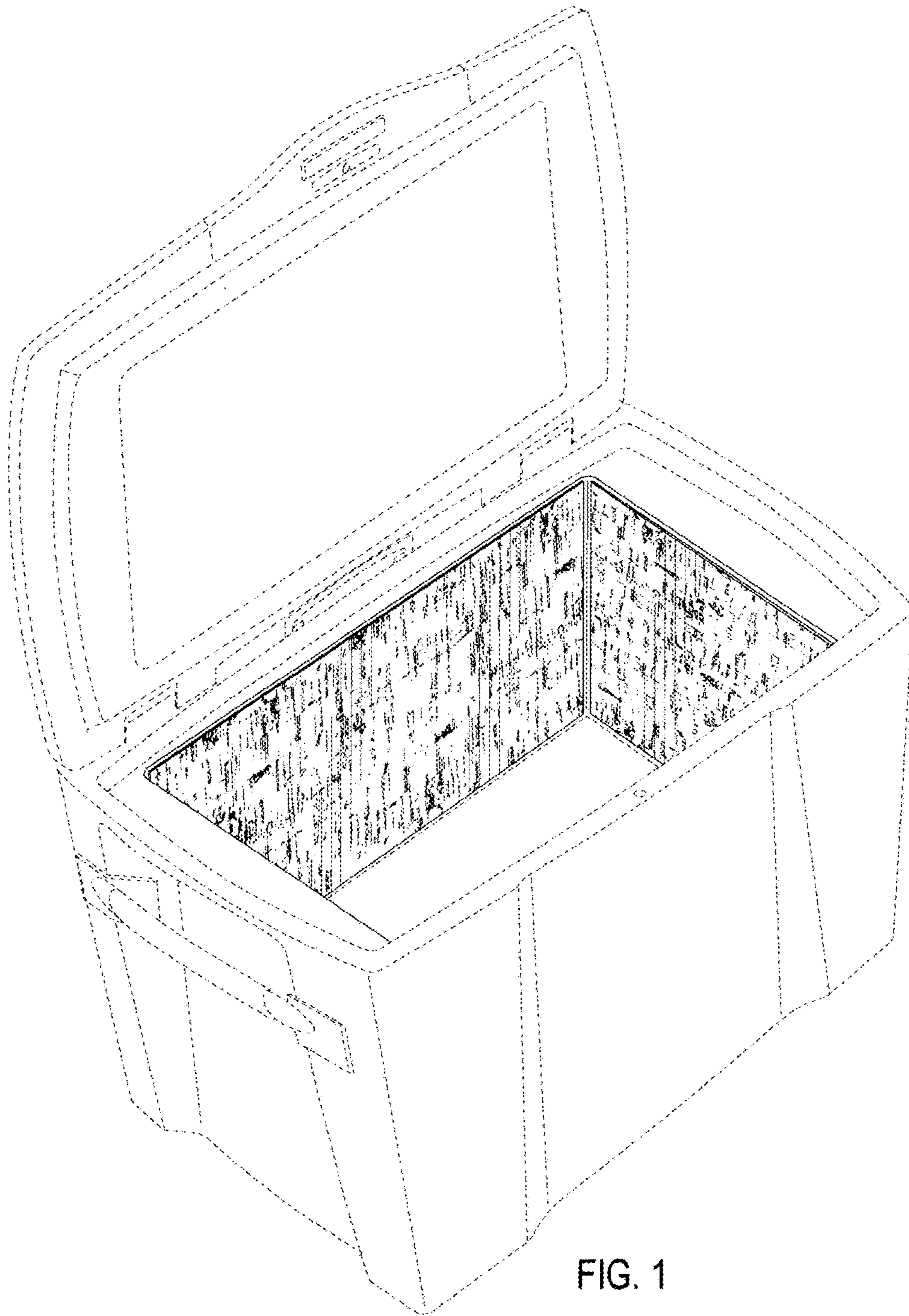


FIG. 1

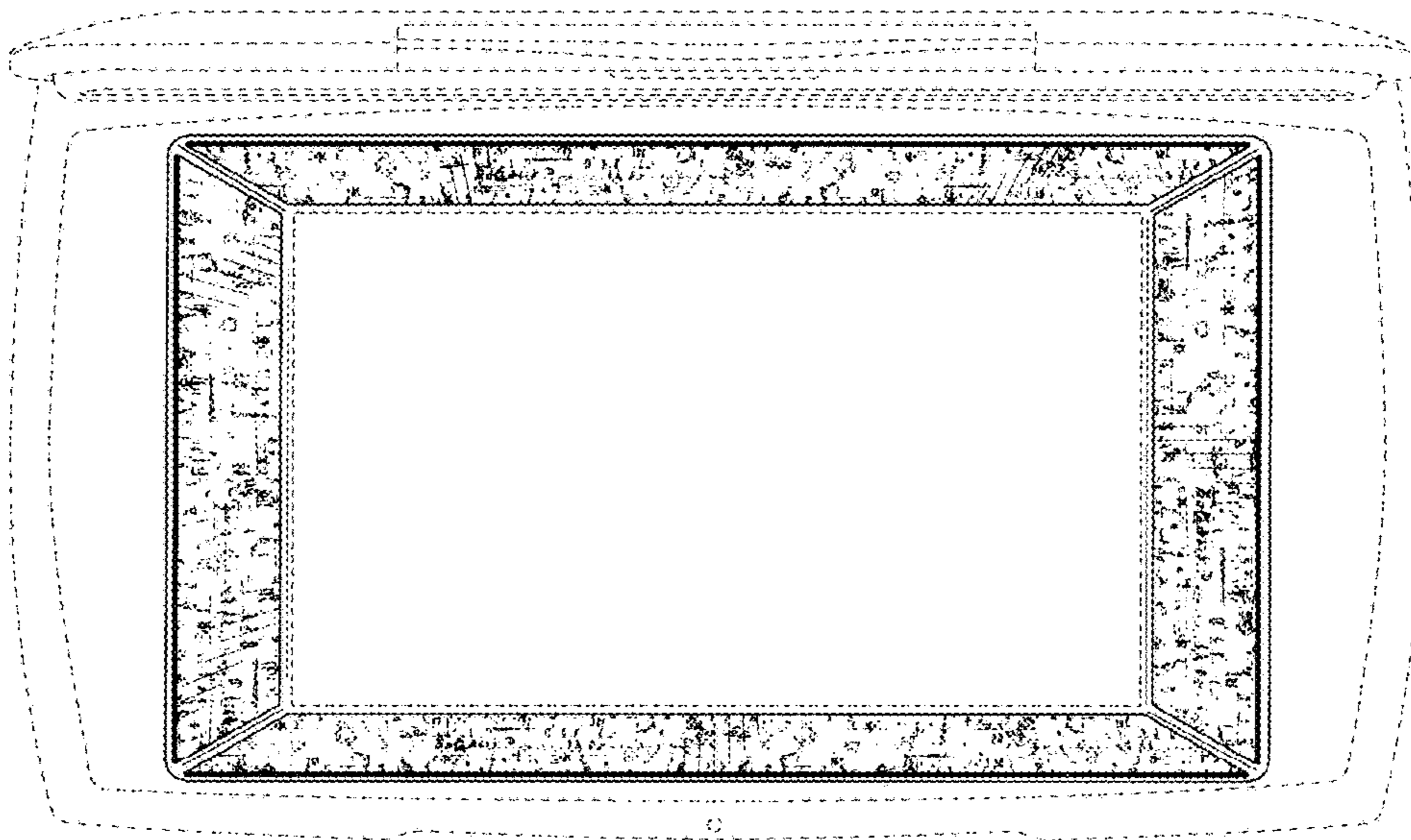


FIG. 2



FIG. 3

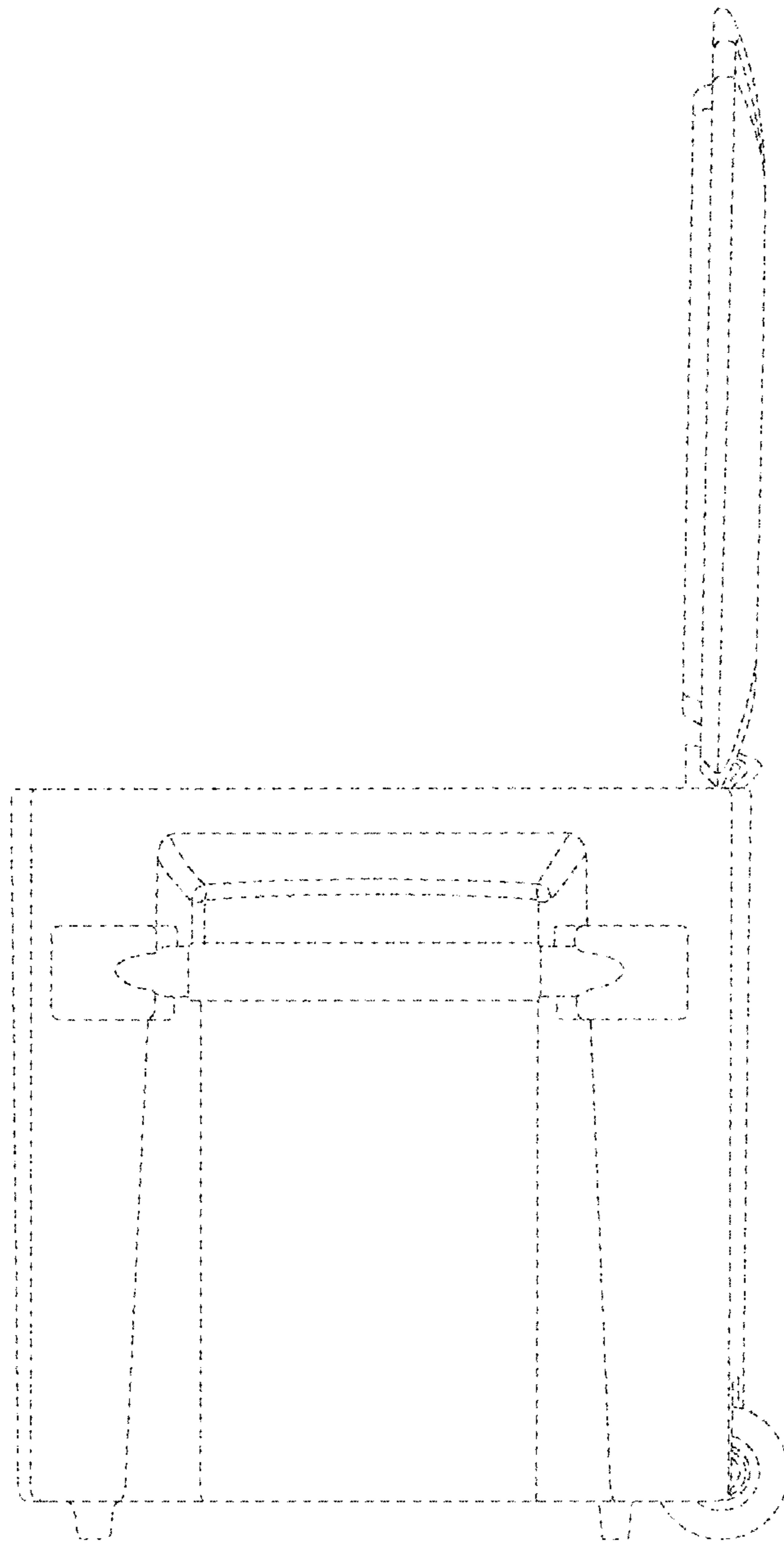


FIG. 4