



US00D779272S

(12) **United States Design Patent** (10) **Patent No.:** **US D779,272 S**
Lee et al. (45) **Date of Patent:** **** Feb. 21, 2017**

(54) **COLD WATER CONTAINER FOR REFRIGERATOR**
(71) Applicant: **Samsung Electronics Co., Ltd.**, Suwon-si, Gyeonggi-do (KR)
(72) Inventors: **Junkyo Lee**, Seongnam-si (KR); **Jangwon Kim**, Seoul (KR)
(73) Assignee: **SAMSUNG ELECTRONICS CO., LTD.**, Suwon-si, Gyeonggi-Do (KR)

5,243,835 A * 9/1993 Padamsee A47J 41/0044 62/372
D371,304 S * 7/1996 Onneweer D7/511
D466,814 S * 12/2002 Hurlburt D9/504
D515,425 S * 2/2006 King D9/504
D553,914 S * 10/2007 Wahl D7/608
D557,560 S * 12/2007 Wahl D7/510
D572,586 S * 7/2008 Medema D9/445
D592,455 S * 5/2009 Germann D7/510
D639,166 S * 6/2011 Carreno D9/504
D648,984 S * 11/2011 Gullickson D7/510
D651,044 S * 12/2011 Gilbert D7/510

(Continued)

(**) Term: **15 Years**

FOREIGN PATENT DOCUMENTS

(21) Appl. No.: **29/534,513**

CN 300934889D 6/2009
EM FR982077 8/1998

(22) Filed: **Jul. 29, 2015**

(Continued)

(30) **Foreign Application Priority Data**

Primary Examiner — Ian Simmons
Assistant Examiner — Keith Frank

Feb. 5, 2015 (KR) 30-2015-0006310

(74) *Attorney, Agent, or Firm* — Ladas & Parry LLP

(51) **LOC (10) Cl.** **07-01**

(57) **CLAIM**

(52) **U.S. Cl.**

We claim the ornamental design for a cold water container for refrigerator, as shown and described.

USPC **D7/510**; D7/511

(58) **Field of Classification Search**

DESCRIPTION

USPC D7/300, 300.1, 509–511, 523, 529, 532, D7/601, 602, 619.1, 629; D9/435, 436, D9/439, 440, 453, 454, 500–505, 516, D9/529, 544–546, 549, 552, 558, 575; D28/197

FIG. 1 is a perspective view of a cold water container for refrigerator showing our new design;
FIG. 2 is a front view thereof;
FIG. 3 is a rear view thereof;
FIG. 4 is a left side view thereof;
FIG. 5 is a right side view thereof;
FIG. 6 is a top view thereof;
FIG. 7 is a bottom view thereof; and,
FIG. 8 is a perspective view of a cold water container for refrigerator of our new design in use showing the appearance with the cap of the subject design detached.
The broken lines shown in the drawings form no part of claimed design.

CPC B65D 81/38; A47J 41/005; A47J 41/0011; A47J 41/0027; F25D 31/007; F25D 31/002; F25D 2331/803; F25D 2303/0841

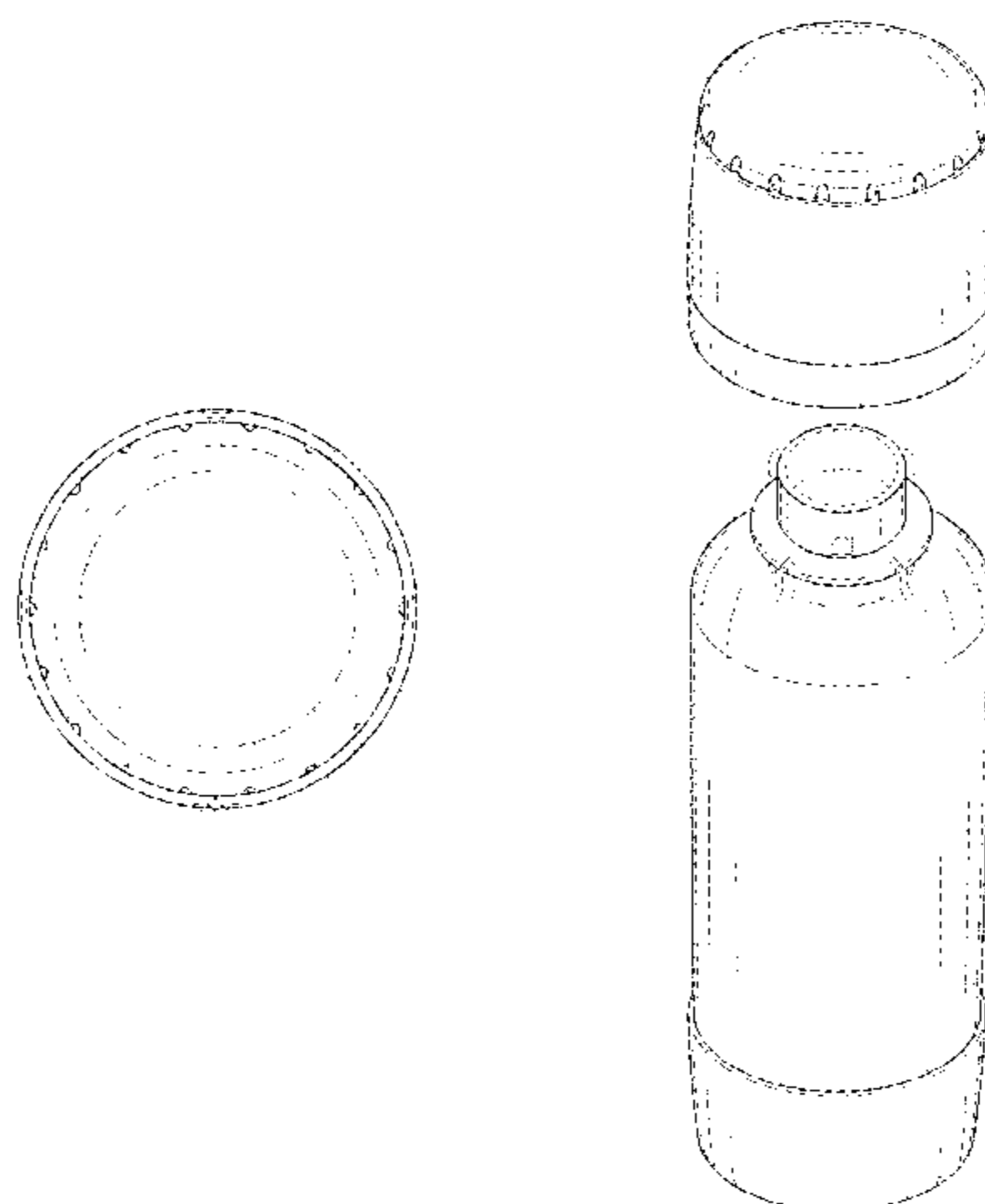
See application file for complete search history.

(56) **References Cited**

1 Claim, 7 Drawing Sheets

U.S. PATENT DOCUMENTS

D272,324 S * 1/1984 Mumford D9/452
D274,209 S * 6/1984 Kikuchi D7/608
D287,211 S * 12/1986 Weiss D7/608



(56)

References Cited

U.S. PATENT DOCUMENTS

D652,682 S * 1/2012 Eyal D7/510
D660,655 S * 5/2012 Wahl D7/608
D673,450 S * 1/2013 Cronin D9/452
D686,871 S * 7/2013 Lane D7/392.1
8,777,032 B2 * 7/2014 Biesecker B65D 43/0212
215/224
D717,664 S 11/2014 Van Handel et al.
D722,828 S * 2/2015 Shamoon D7/510
D729,585 S * 5/2015 Boroski D7/511
D760,027 S * 6/2016 Meyers D7/510

FOREIGN PATENT DOCUMENTS

JP D1428153 11/2011
KR 30-0776381 12/2014

* cited by examiner

FIG. 1

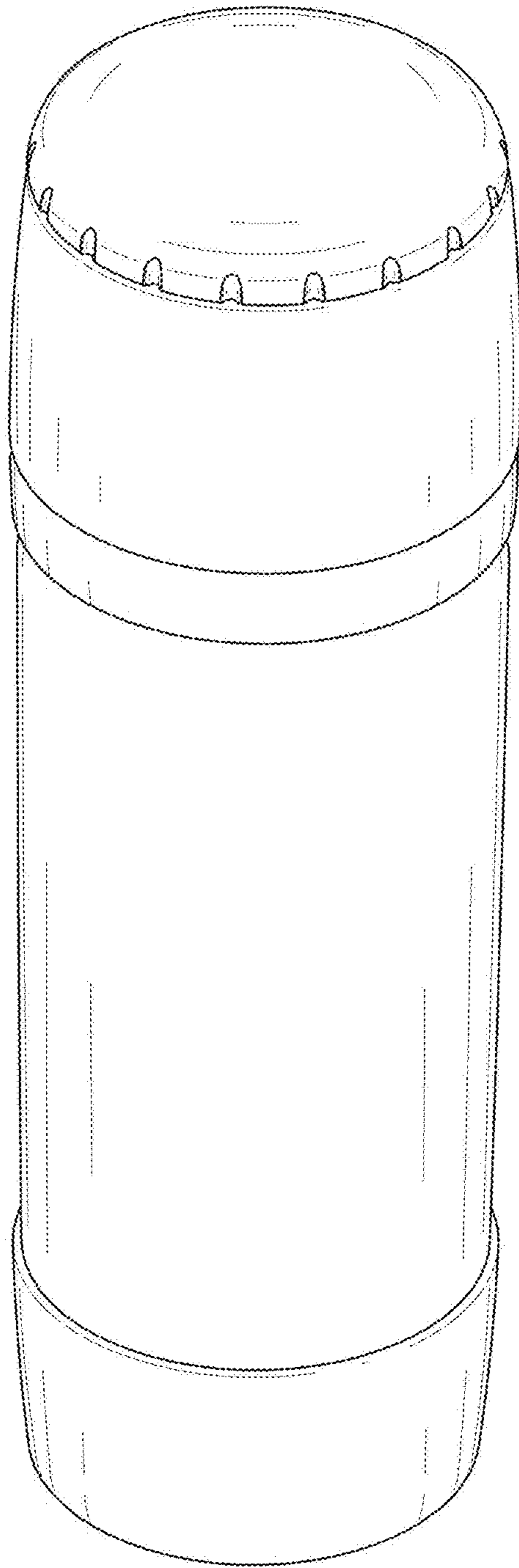


FIG. 2

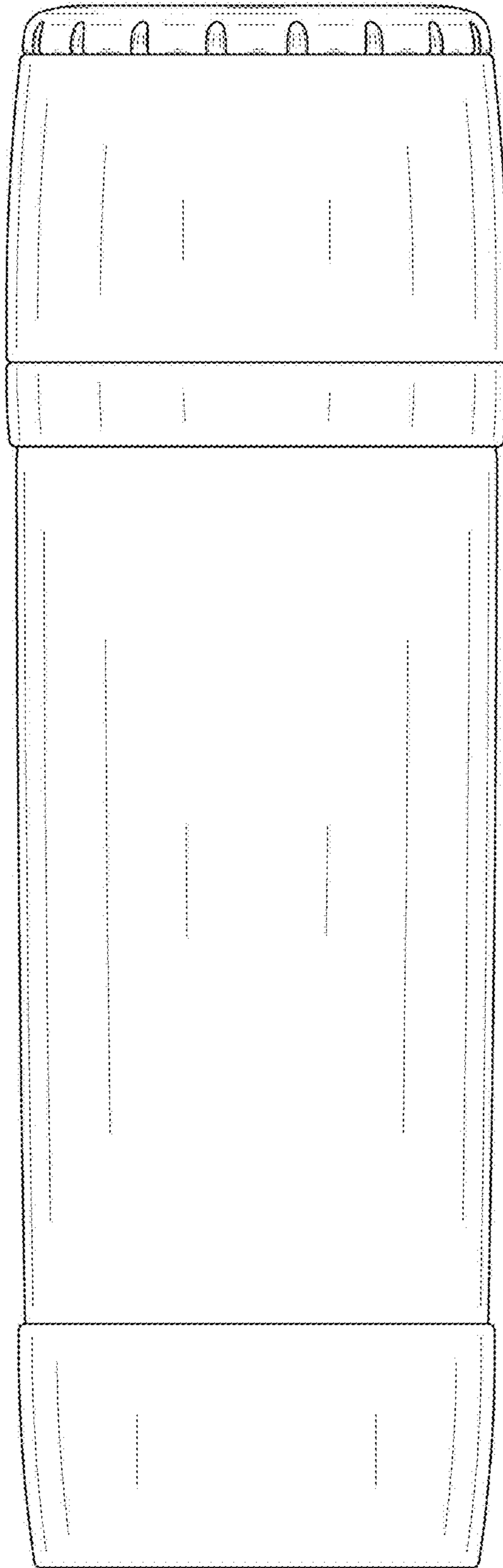


FIG. 3

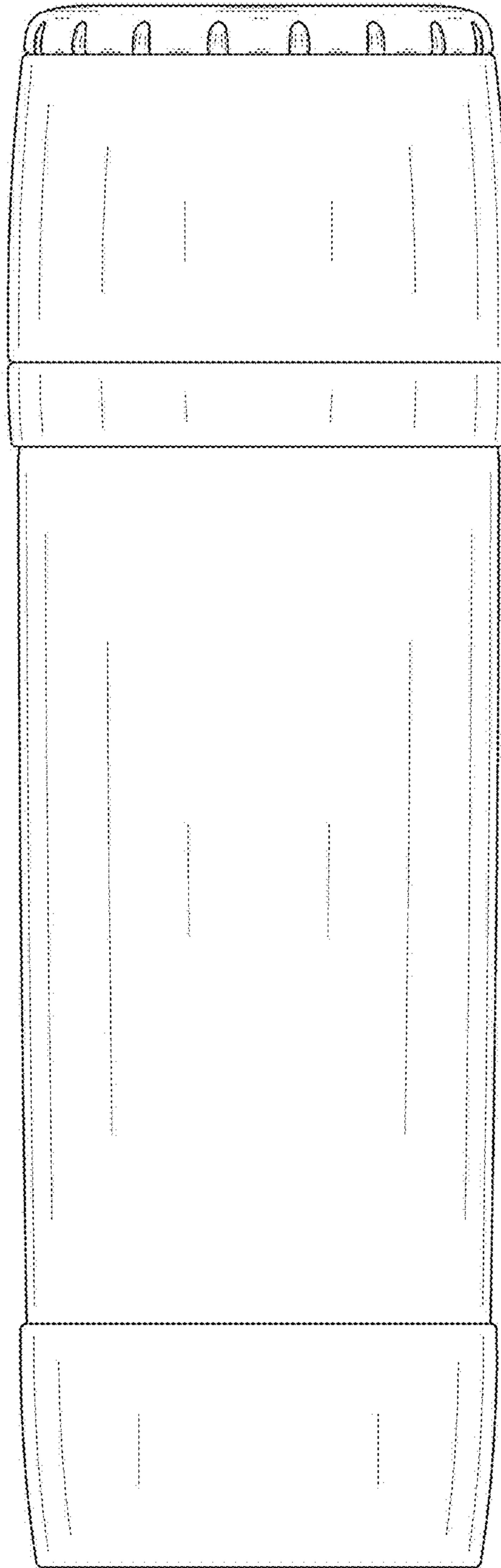


FIG. 4

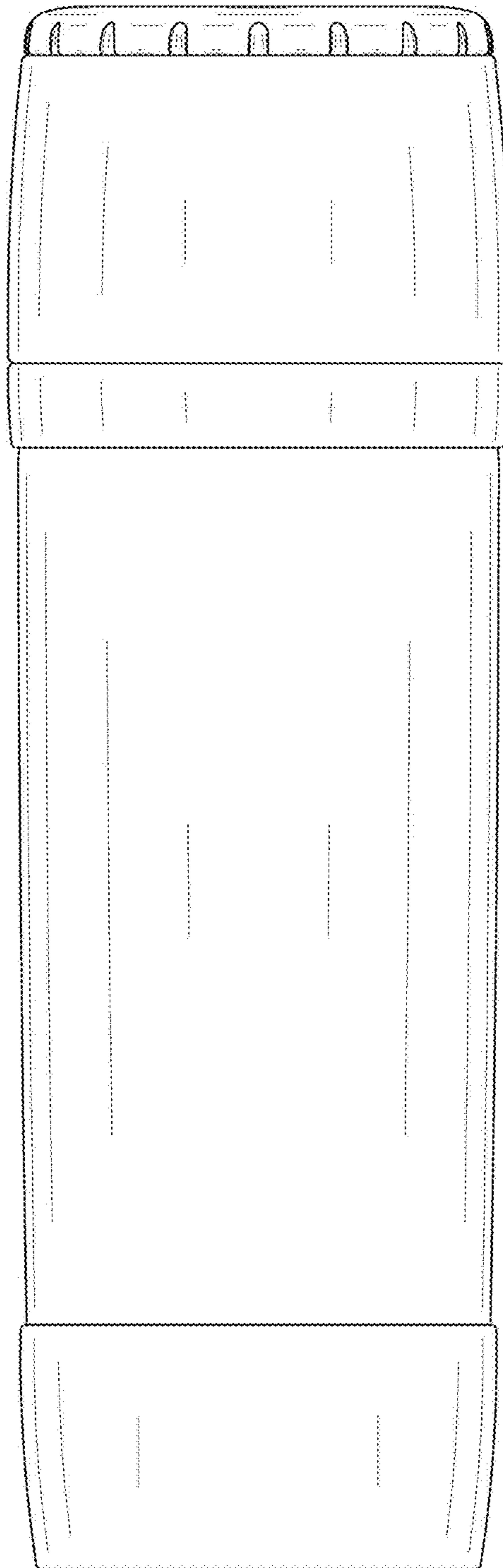


FIG. 5

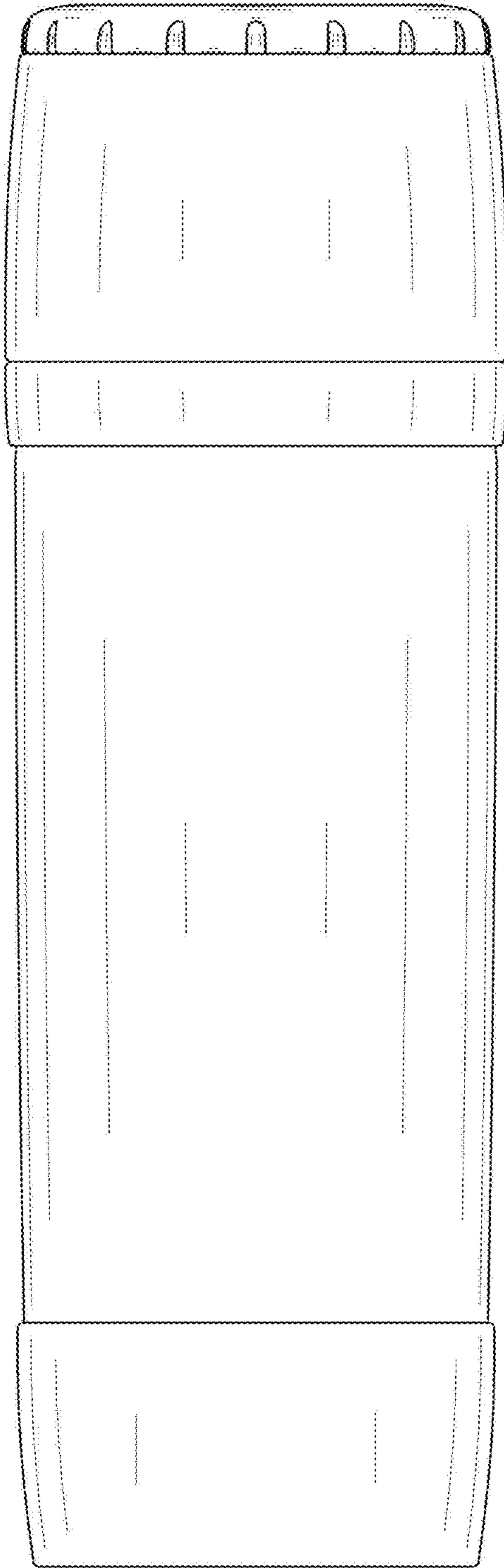


FIG. 6

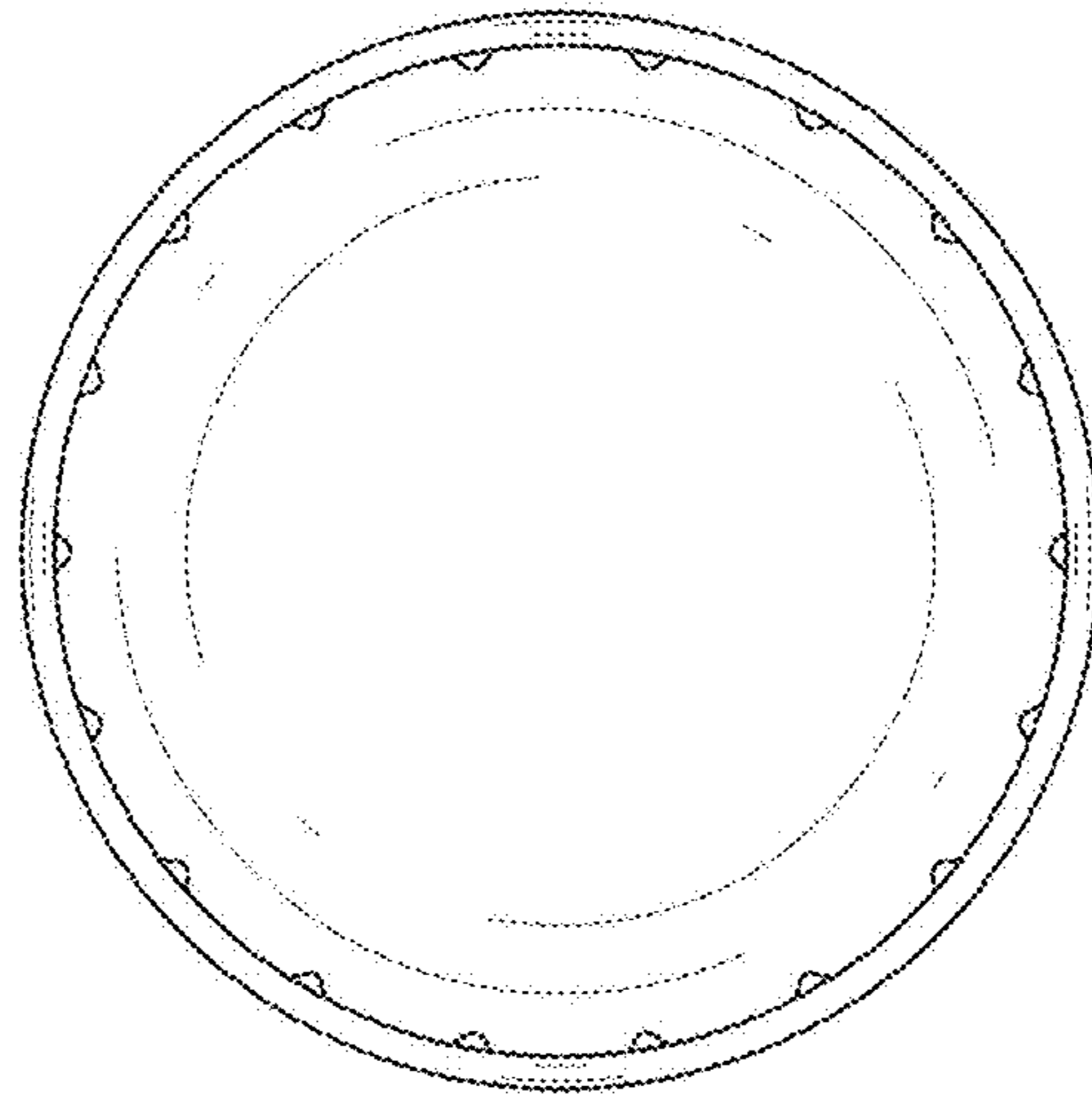


FIG. 7

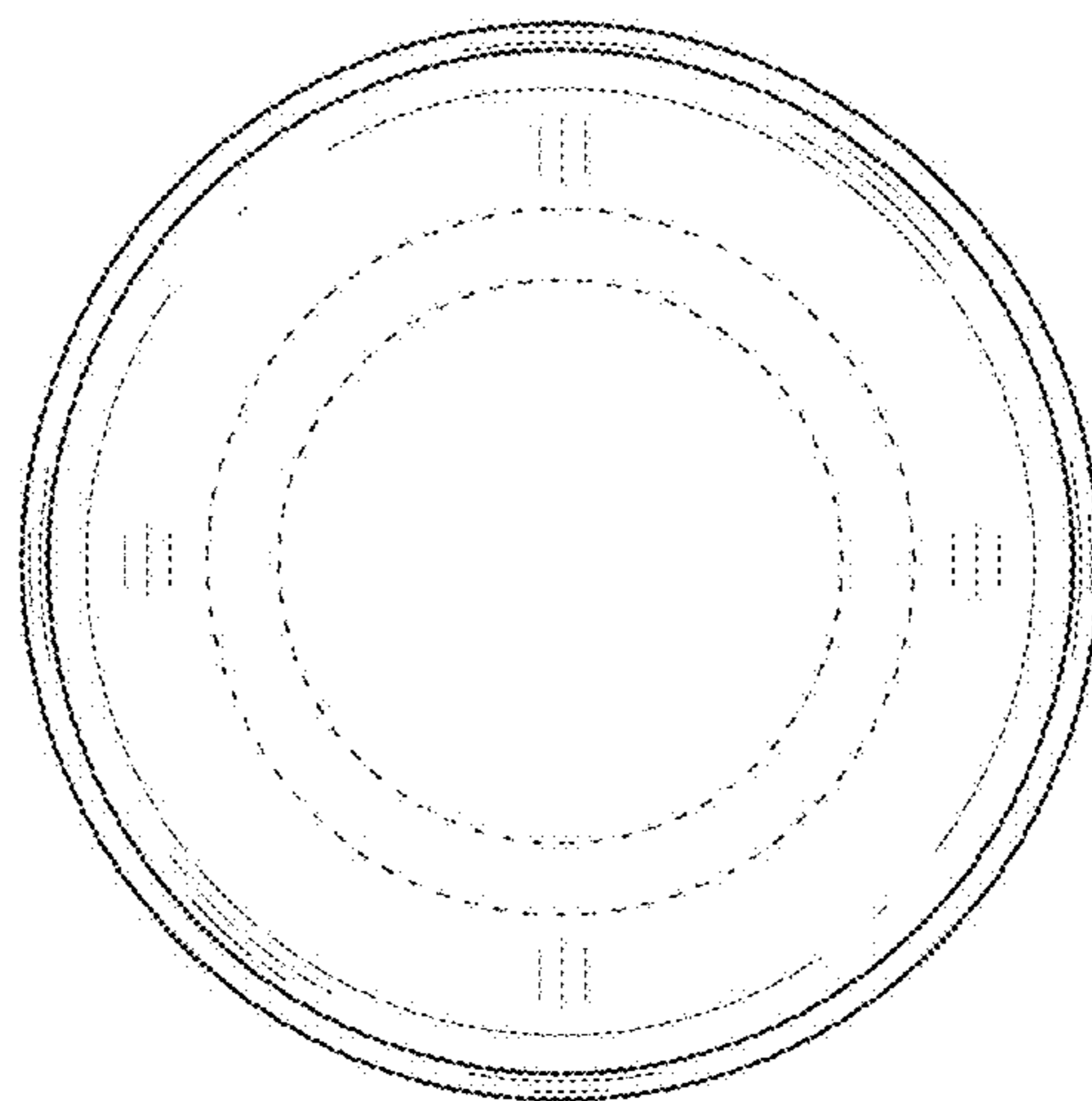


FIG. 8

