



US00D779265S

(12) **United States Design Patent** (10) **Patent No.:** **US D779,265 S**
Barquin et al. (45) **Date of Patent:** **** Feb. 21, 2017**

(54) **BLENDER BASE**
(71) Applicant: **Spectrum Brands, Inc.**, Middleton, WI (US)
(72) Inventors: **Francisco Javier Barquin**, Madison, WI (US); **Daniel Davis Anderson**, Eagan, MN (US)
(73) Assignee: **Spectrum Brands, Inc.**, Middleton, WI (US)
(**) Term: **15 Years**
(21) Appl. No.: **29/537,143**

D502,047 S * 2/2005 Ledingham D7/384
D526,531 S 8/2006 Drees et al.
D533,395 S 12/2006 Drees et al.
D577,537 S 9/2008 Lee
D597,372 S 8/2009 Nordwall et al.
D597,790 S 8/2009 Nordwall et al.
D605,462 S * 12/2009 Picozza D7/378
D611,760 S * 3/2010 Ball D7/378
D617,136 S * 6/2010 Bock D7/378
D625,144 S * 10/2010 Moore D7/376
D647,357 S * 10/2011 Audette D7/376
D660,642 S 5/2012 Boozer et al.
D660,643 S 5/2012 Boozer et al.
D661,947 S 6/2012 Conti et al.
D677,976 S * 3/2013 Palermo D7/376
D694,573 S 12/2013 Norland et al.

(Continued)

(22) Filed: **Aug. 21, 2015**
(51) **LOC (10) Cl.** **31-00**
(52) **U.S. Cl.**
USPC **D7/386; D7/37; D7/378; D7/412; D7/413**

FOREIGN PATENT DOCUMENTS

CA 128072 S 5/2009
CA 128074 S 5/2009

Primary Examiner — Ricky Pham
(74) *Attorney, Agent, or Firm* — Banner & Witcoff, Ltd.

(58) **Field of Classification Search**
USPC D7/372, 376–386, 412–413, 602, 629, D7/665–666, 669, 679, 693–694
CPC A21C 1/02; A21C 1/04; A23N 1/00; A23N 1/02; A47J 43/04; A47J 43/25; A47J 43/27; A47J 43/042; A47J 43/044; A47J 43/046; A47J 43/075; A47J 43/0722; A47J 43/0727; B01F 3/00; B01F 3/0807; B01F 3/0853; B01F 13/0059; B01F 13/0064; B02C 1/08; B02C 2/04; B02C 4/42; B02C 4/142; B02C 4/143; B02C 4/423; B02C 13/1835; B28C 5/10; B28C 5/12; B28C 5/14; B28C 5/16
See application file for complete search history.

(57) **CLAIM**

The ornamental design for a blender base, as shown and described.

DESCRIPTION

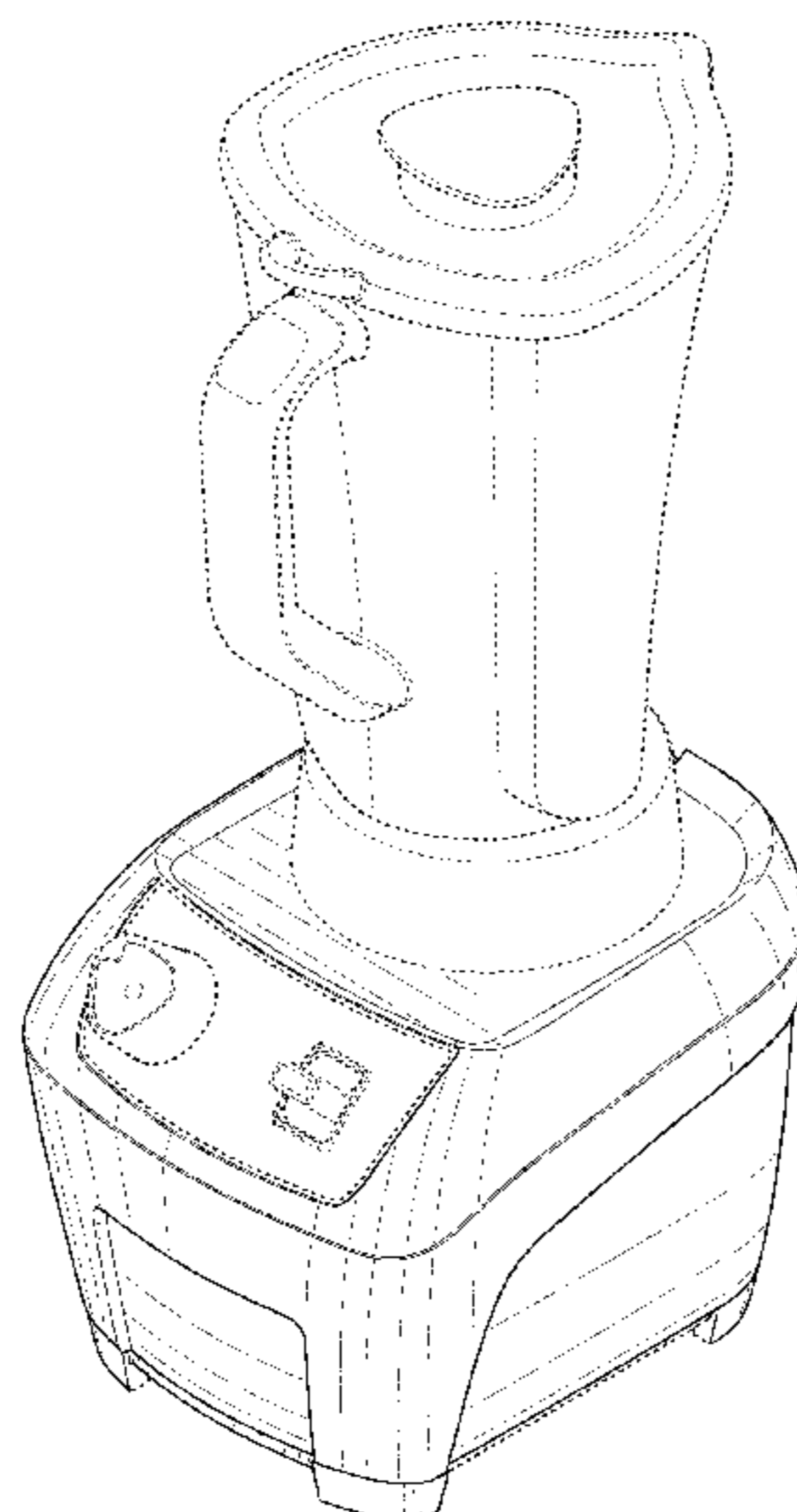
FIG. 1 is a front perspective view of a blender base showing our new design;
FIG. 2 is a left side view thereof;
FIG. 3 is a right side view thereof;
FIG. 4 is a front view thereof;
FIG. 5 is a top view thereof; and,
FIG. 6 is a rear view thereof.
The broken line showing of portions of the blender base and the entire blender jar is for environmental purposes only and forms no part of the claimed design.

(56) **References Cited**

U.S. PATENT DOCUMENTS

D220,416 S 4/1971 Folden
D451,756 S * 12/2001 Deros D7/378

1 Claim, 6 Drawing Sheets



(56)

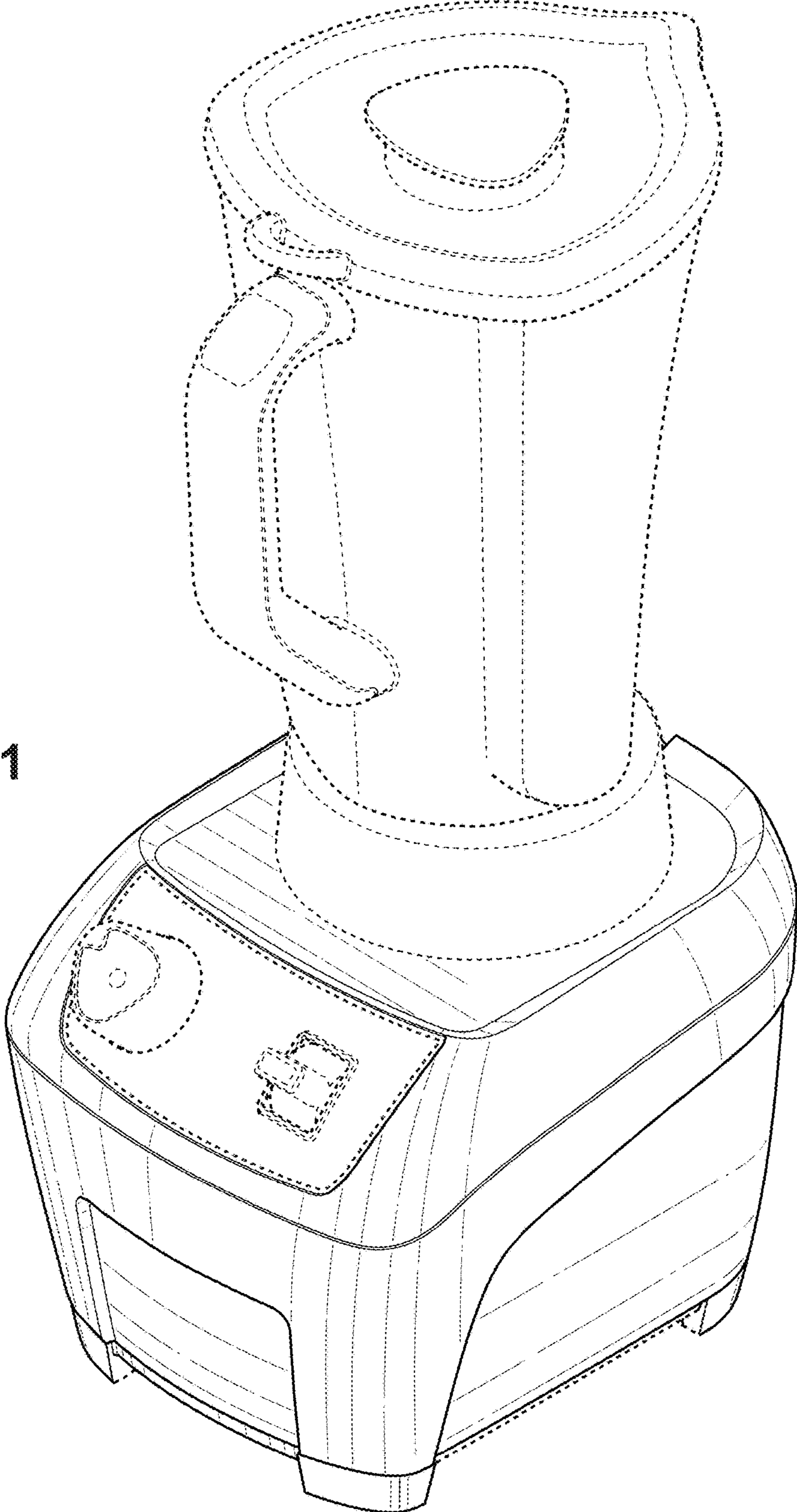
References Cited

U.S. PATENT DOCUMENTS

D694,574 S	12/2013	Norland et al.	
D694,582 S	12/2013	Norland	
D694,583 S	12/2013	Norland	
D704,502 S *	5/2014	Coakley	D7/376
D716,602 S *	11/2014	Thai	D7/376
D730,682 S *	6/2015	Tu	D7/376
D733,488 S *	7/2015	Tu	D7/376
D755,003 S *	5/2016	Palermo	D7/376

* cited by examiner

FIG. 1



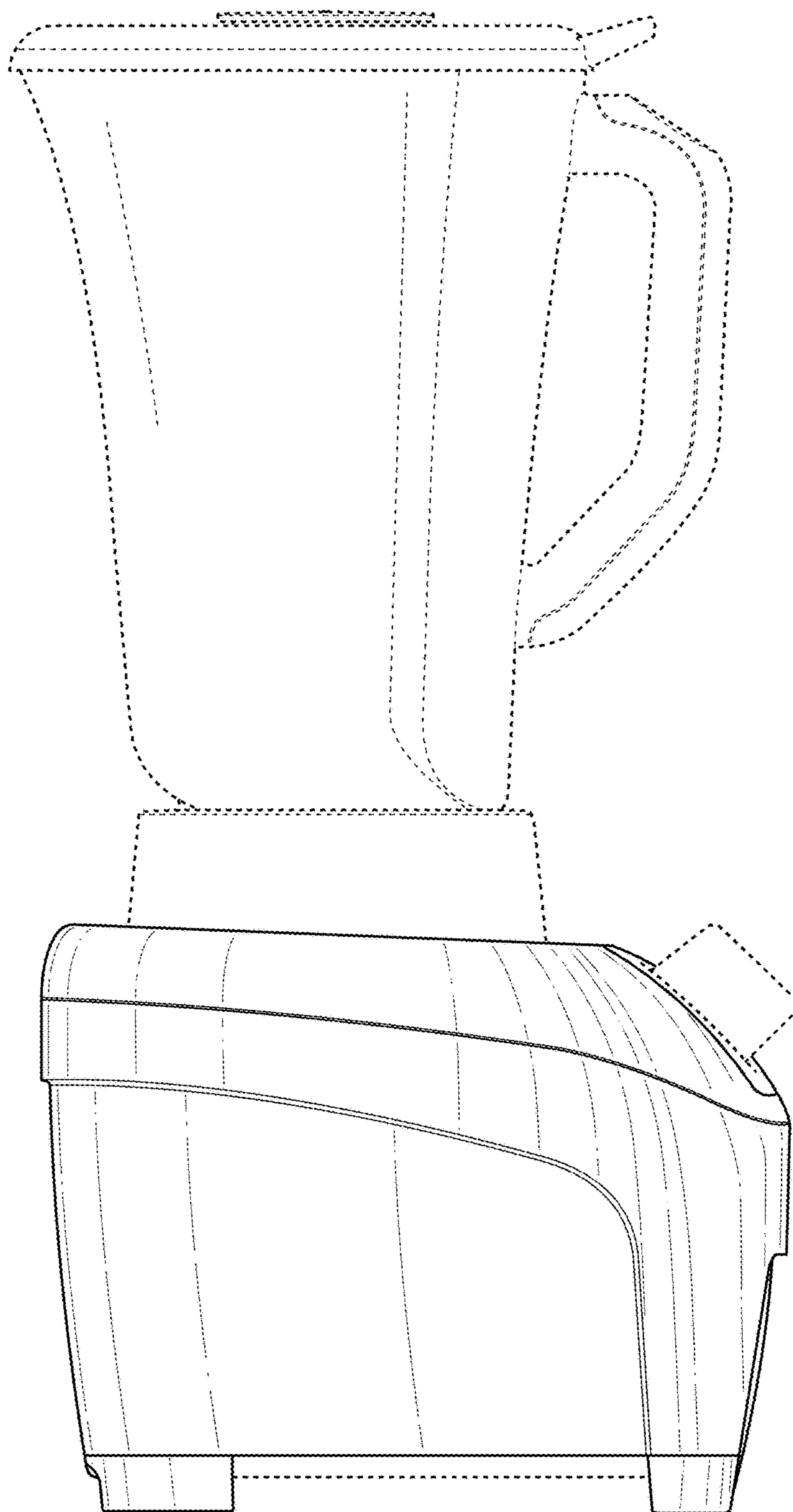


FIG. 2

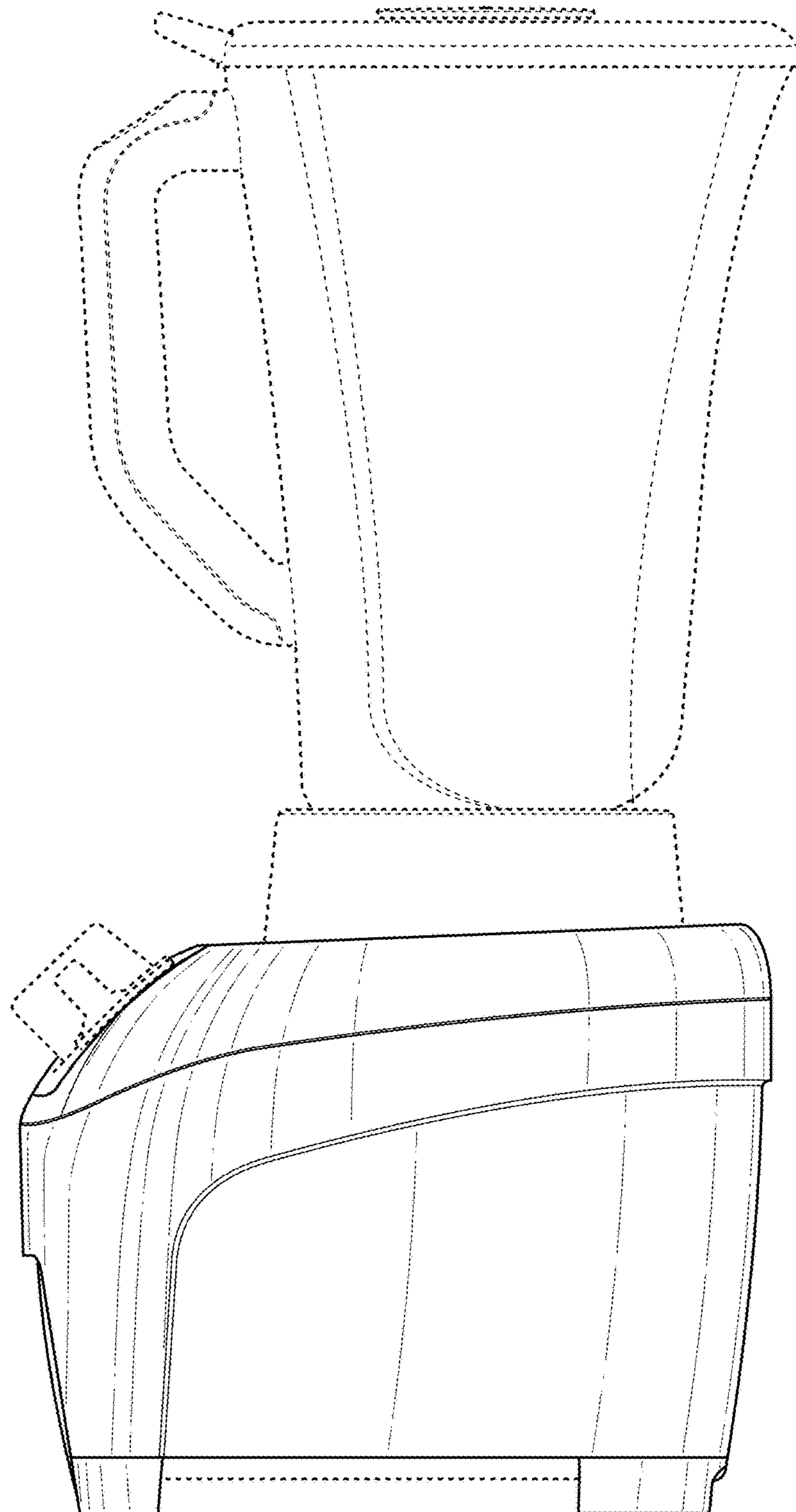


FIG. 3

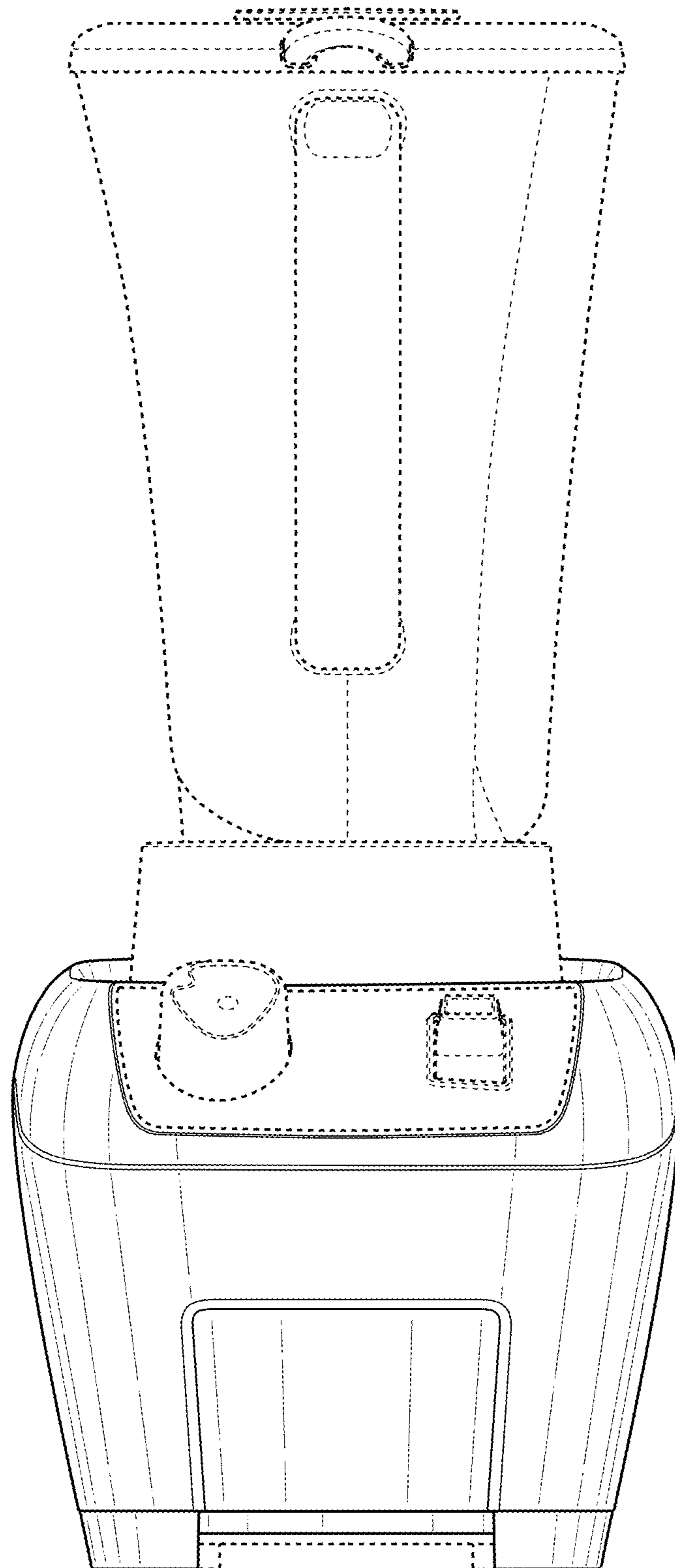


FIG. 4

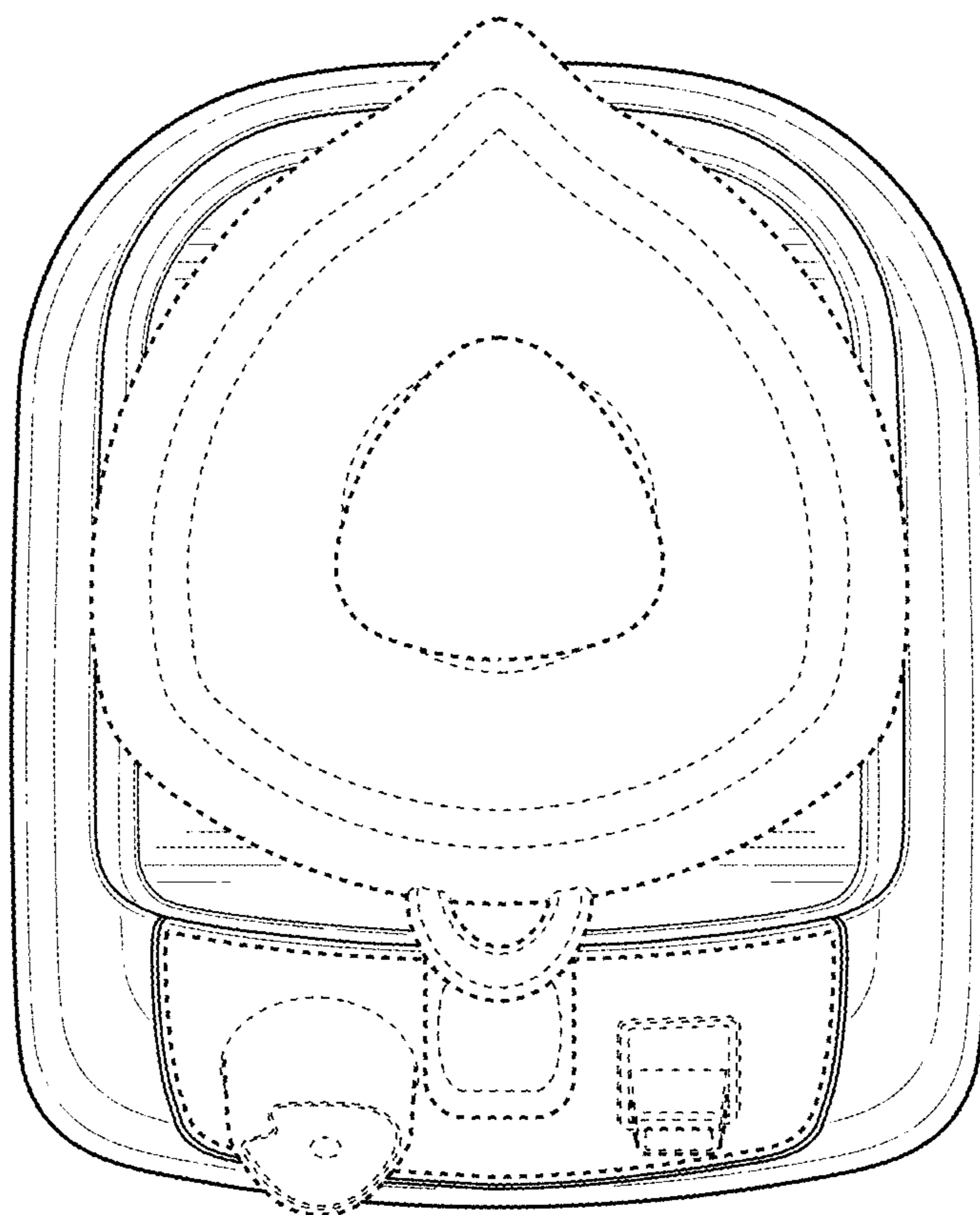


FIG. 5

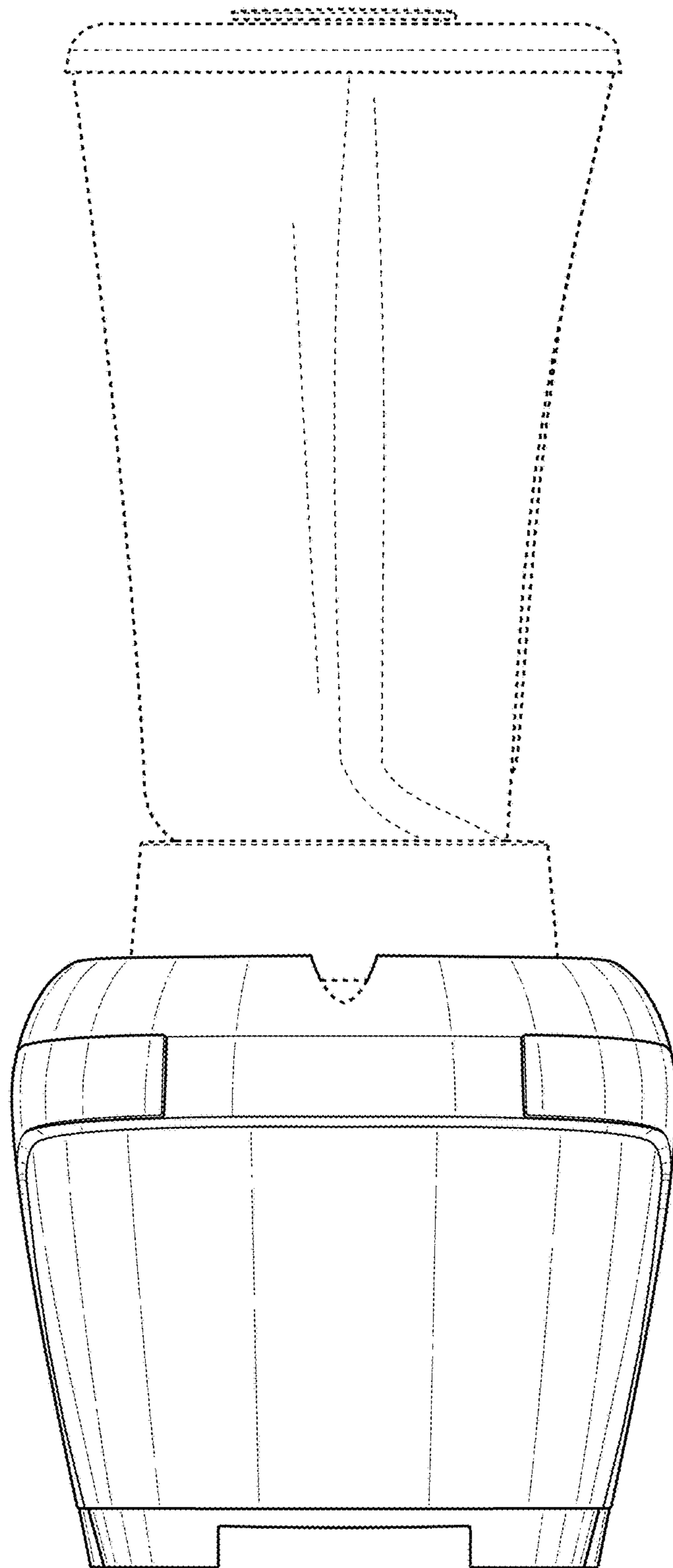


FIG. 6