



US00D779264S

(12) **United States Design Patent** (10) **Patent No.:** **US D779,264 S**  
**Suh et al.** (45) **Date of Patent:** **\*\* Feb. 21, 2017**

(54) **MICROWAVE OVEN**

(71) Applicant: **Samsung Electronics Co., Ltd.**,  
Suwon-si (KR)

(72) Inventors: **Seungwook Suh**, Goyang-si (KR);  
**Woojoo Choi**, Anyang-si (KR); **Gisung Han**, Seoul (KR)

(73) Assignee: **SAMSUNG ELECTRONICS CO., LTD.**, Suwon-si (KR)

(\*\*) Term: **15 Years**

(21) Appl. No.: **29/554,601**

(22) Filed: **Feb. 12, 2016**

(30) **Foreign Application Priority Data**

Aug. 28, 2015 (KR) ..... 30-2015-0043532

(51) **LOC (10) Cl.** ..... **07-02**

(52) **U.S. Cl.**

USPC ..... **D7/351; D7/405**

(58) **Field of Classification Search**

USPC ..... D7/402, 405, 351, 323, 338, 346, 347;  
219/678

CPC ..... H05B 6/763; H05B 6/6414; H05B 6/6408;  
Y02B 40/14; Y02B 40/143; Y02B 40/146;  
F24C 15/02; F24C 1/00; F24C  
14/00; F24C 3/00; F24C 5/00; F24C 7/00

See application file for complete search history.

D442,017 S \* 5/2001 Noda ..... D7/351  
D442,018 S \* 5/2001 Kusachi ..... D7/351  
D460,659 S \* 7/2002 Hessen ..... D7/351  
D704,983 S \* 5/2014 Yoon ..... D7/351

(Continued)

**FOREIGN PATENT DOCUMENTS**

JP D1401969 11/2010  
JP D1401972 11/2010  
JP D1500171 9/2014

*Primary Examiner* — Robin V Webster  
*Assistant Examiner* — James Thorn, Sr.  
(74) *Attorney, Agent, or Firm* — McAndrews Held & Malloy, Ltd.

(57) **CLAIM**

The ornamental design for a microwave oven, as shown and described.

**DESCRIPTION**

FIG. 1 is a top perspective view of a microwave oven showing our new design;  
FIG. 2 is a front elevation view thereof;  
FIG. 3 is a rear elevation view thereof;  
FIG. 4 is a left-side elevation view thereof;  
FIG. 5 is a right-side elevation view thereof;  
FIG. 6 is a top plan view thereof;  
FIG. 7 is a bottom plan view thereof;  
FIG. 8 is a bottom perspective view thereof; and,  
FIG. 9 is an enlarged partial cross-section view taken along line 9-9 of FIG. 2 showing an enlarged view of the area bounded by the box 9 of FIG. 5.

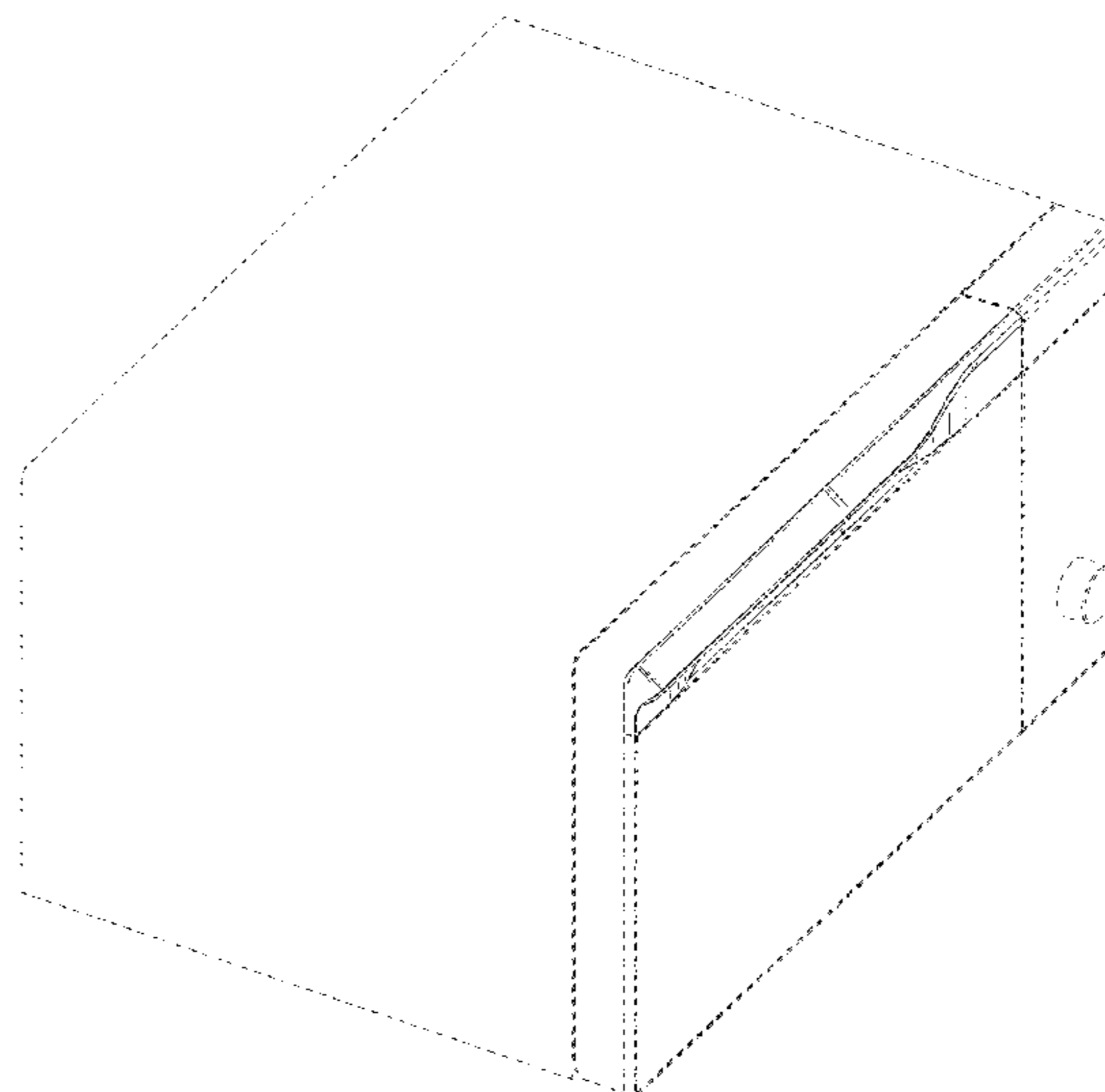
The dashed broken lines in the figures depict portions of the microwave oven that form no part of the claimed design.  
The dot-dot-dash broken lines in the figures represent an area illustrated in an enlargement and form no part of the claimed design.

**1 Claim, 9 Drawing Sheets**

(56) **References Cited**

**U.S. PATENT DOCUMENTS**

D305,597 S \* 1/1990 Yoo ..... D7/351  
D354,415 S \* 1/1995 Noda ..... D7/351  
D364,311 S \* 11/1995 Kim ..... D7/351  
D373,925 S \* 9/1996 Kim ..... D7/351  
D433,268 S \* 11/2000 Taira ..... D7/351  
D436,285 S \* 1/2001 Taira ..... D7/351



(56)

**References Cited**

U.S. PATENT DOCUMENTS

D707,074	S *	6/2014	Shin	.....	D7/351
D708,469	S *	7/2014	Kim	.....	D7/351
D712,694	S *	9/2014	Kim	.....	D7/351
D717,580	S *	11/2014	Bryant	.....	D7/351
D717,581	S *	11/2014	Kim	.....	D7/351
D741,639	S *	10/2015	Kim	.....	D7/351
D741,649	S *	10/2015	Kim	.....	D7/405
D750,431	S *	3/2016	Bergese	.....	D7/405
D761,620	S *	7/2016	Kim	.....	D7/405
D762,416	S *	8/2016	Kim	.....	D7/405
D764,228	S *	8/2016	Kim	.....	D7/405
D764,229	S *	8/2016	Chung	.....	D7/405
D766,657	S *	9/2016	Bergese	.....	D7/405
2008/0116198	A1 *	5/2008	Frank	.....	H05B 6/6426 219/678
2012/0165188	A1 *	6/2012	Croskey	.....	B41M 7/0009 503/201

\* cited by examiner

FIG. 1

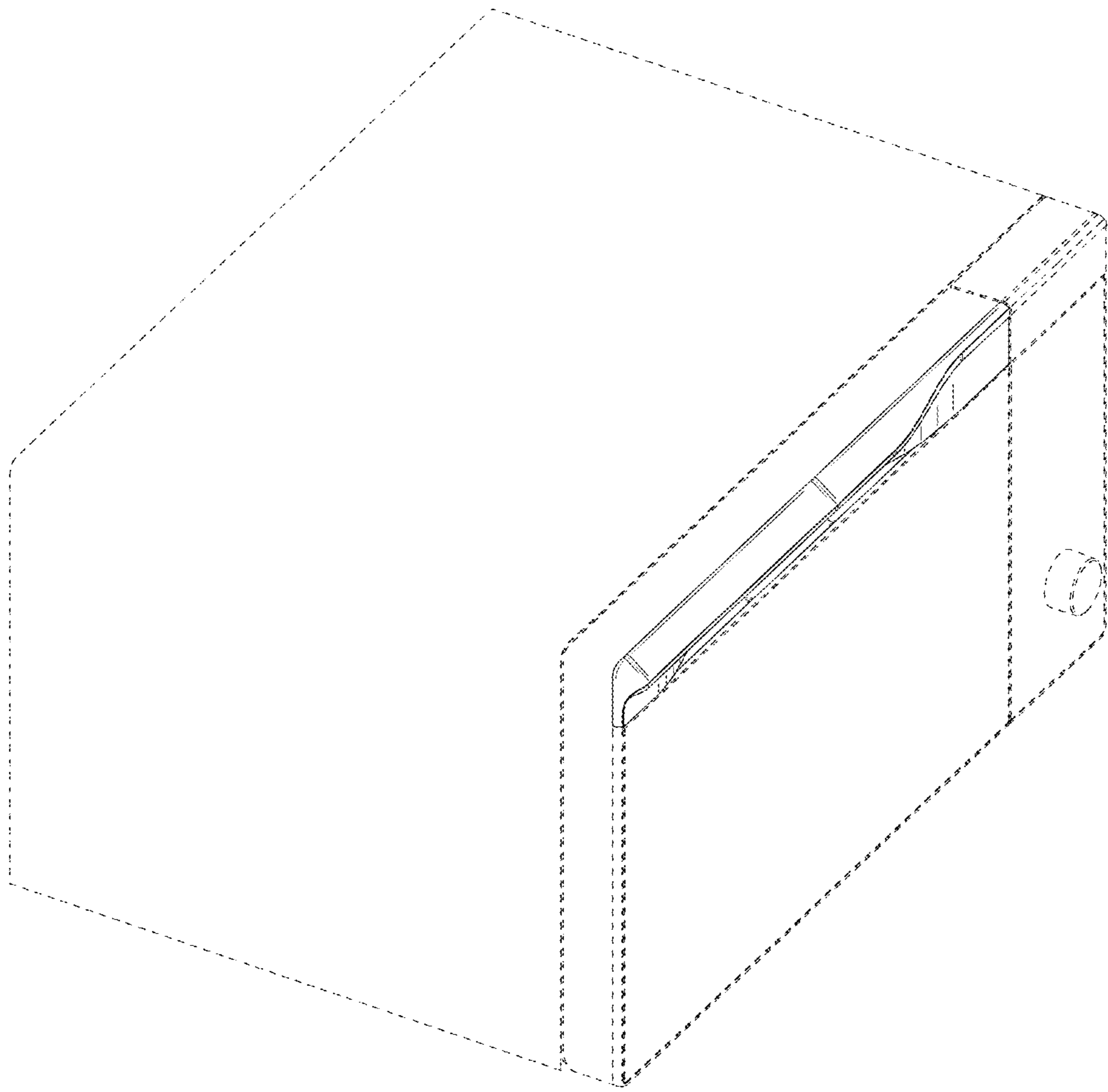


FIG. 2

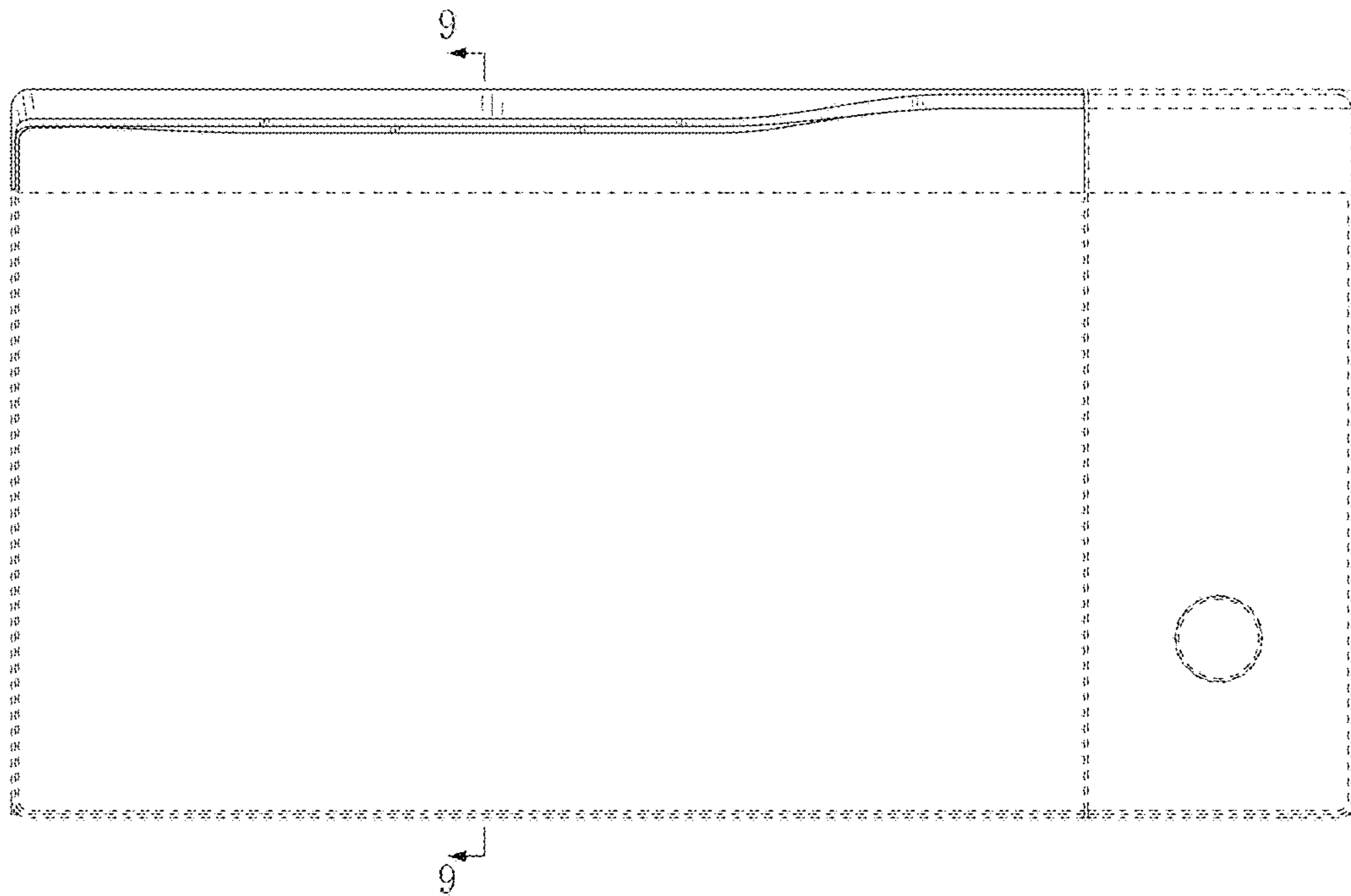


FIG. 3



FIG. 4



FIG. 5



FIG. 6

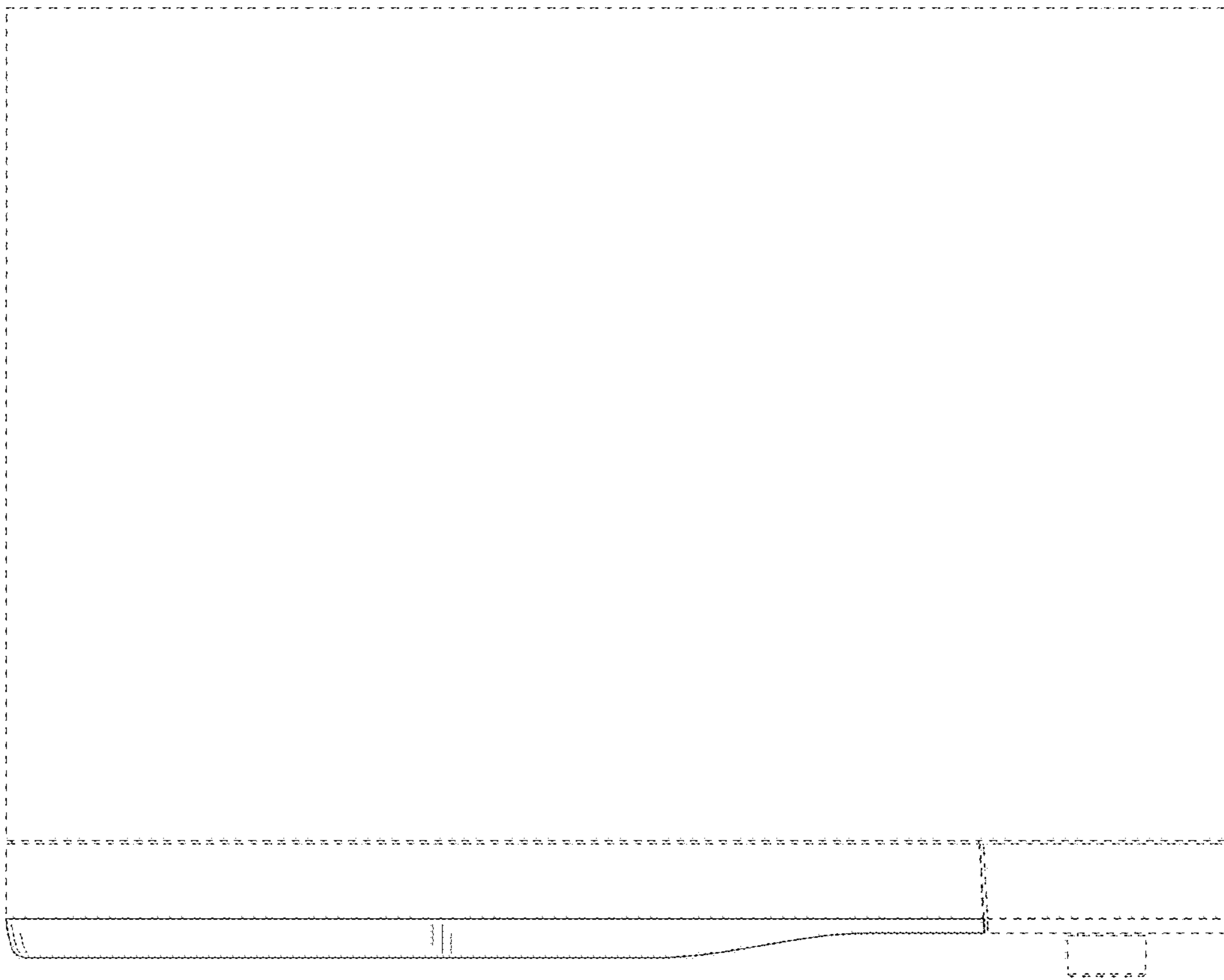




FIG. 7

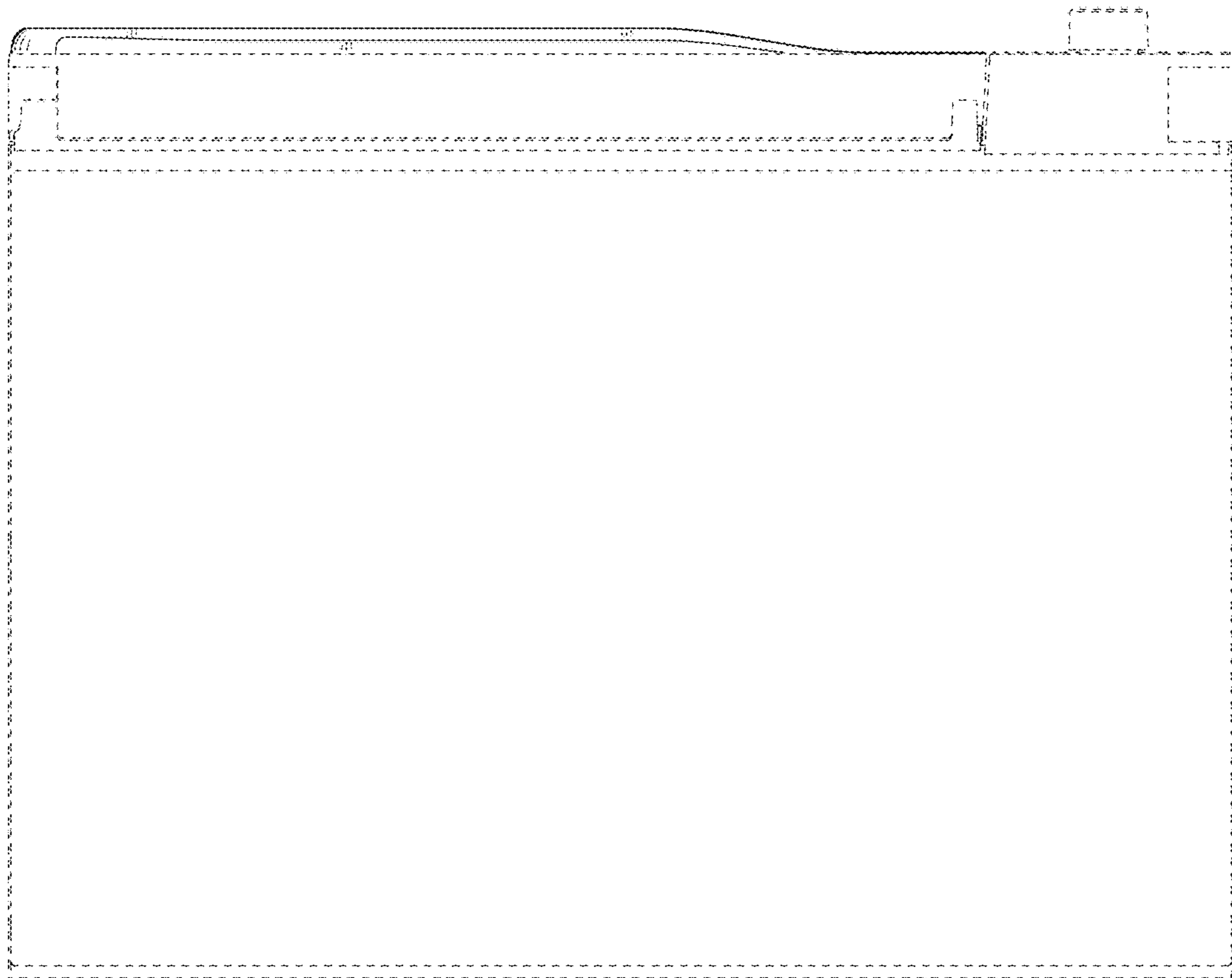


FIG. 8

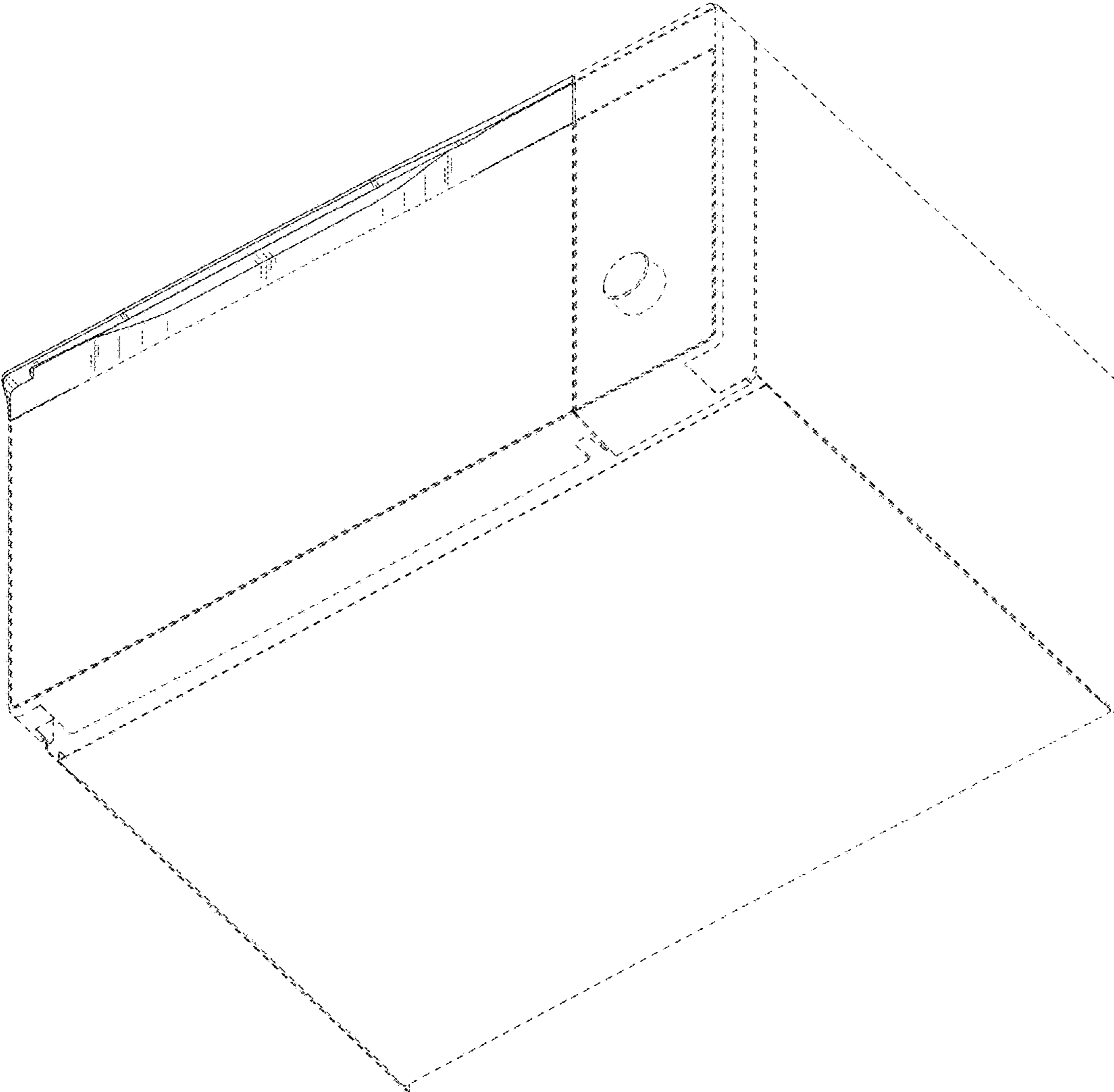


FIG. 9

