



US00D779263S

(12) **United States Design Patent** (10) **Patent No.:** **US D779,263 S**
Suh et al. (45) **Date of Patent:** **** Feb. 21, 2017**

(54) **MICROWAVE OVEN**

FOREIGN PATENT DOCUMENTS

(71) Applicant: **Samsung Electronics Co., Ltd.**,
Suwon-si (KR)

JP D1401969 11/2010
JP D1401972 11/2010
JP D1500171 9/2014

(72) Inventors: **Seungwook Suh**, Goyang-si (KR);
Woojoo Choi, Anyang-si (KR); **Gisung Han**, Seoul (KR)

Primary Examiner — Robin V Webster
Assistant Examiner — James Thorn, Sr.

(73) Assignee: **SAMSUNG ELECTRONICS CO., LTD.**, Suwon-si (KR)

(74) *Attorney, Agent, or Firm* — McAndrews Held & Malloy, Ltd.

(**) Term: **15 Years**

(57) **CLAIM**

(21) Appl. No.: **29/554,597**

The ornamental design for a microwave oven, as shown and described.

(22) Filed: **Feb. 12, 2016**

(30) **Foreign Application Priority Data**

DESCRIPTION

Aug. 28, 2015 (KR) 30-2015-0043533

(51) **LOC (10) Cl.** **07-02**

(52) **U.S. Cl.**
USPC **D7/351; D7/405**

(58) **Field of Classification Search**
USPC D7/402, 405, 351, 323, 338, 346, 347;
219/678

CPC H05B 6/763; H05B 6/6414; H05B 6/6408;
Y02B 40/14; Y02B 40/143; Y02B
40/146; F24C 15/02; F24C 1/00; F24C
14/00; F24C 3/00; F24C 5/00; F24C 7/00

See application file for complete search history.

FIG. 1 is a top perspective view of a microwave oven showing our new design;
FIG. 2 is a front elevation view thereof;
FIG. 3 is a rear elevation view thereof;
FIG. 4 is a left-side elevation view thereof;
FIG. 5 is a right-side elevation view thereof;
FIG. 6 is a top plan view thereof;
FIG. 7 is a bottom plan view thereof;
FIG. 8 is a bottom perspective view thereof; and,
FIG. 9 is an enlarged partial cross-section view taken along line 9-9 of FIG. 2 showing an enlarged view of the area bounded by the box 9 of FIG. 5.

(56) **References Cited**

U.S. PATENT DOCUMENTS

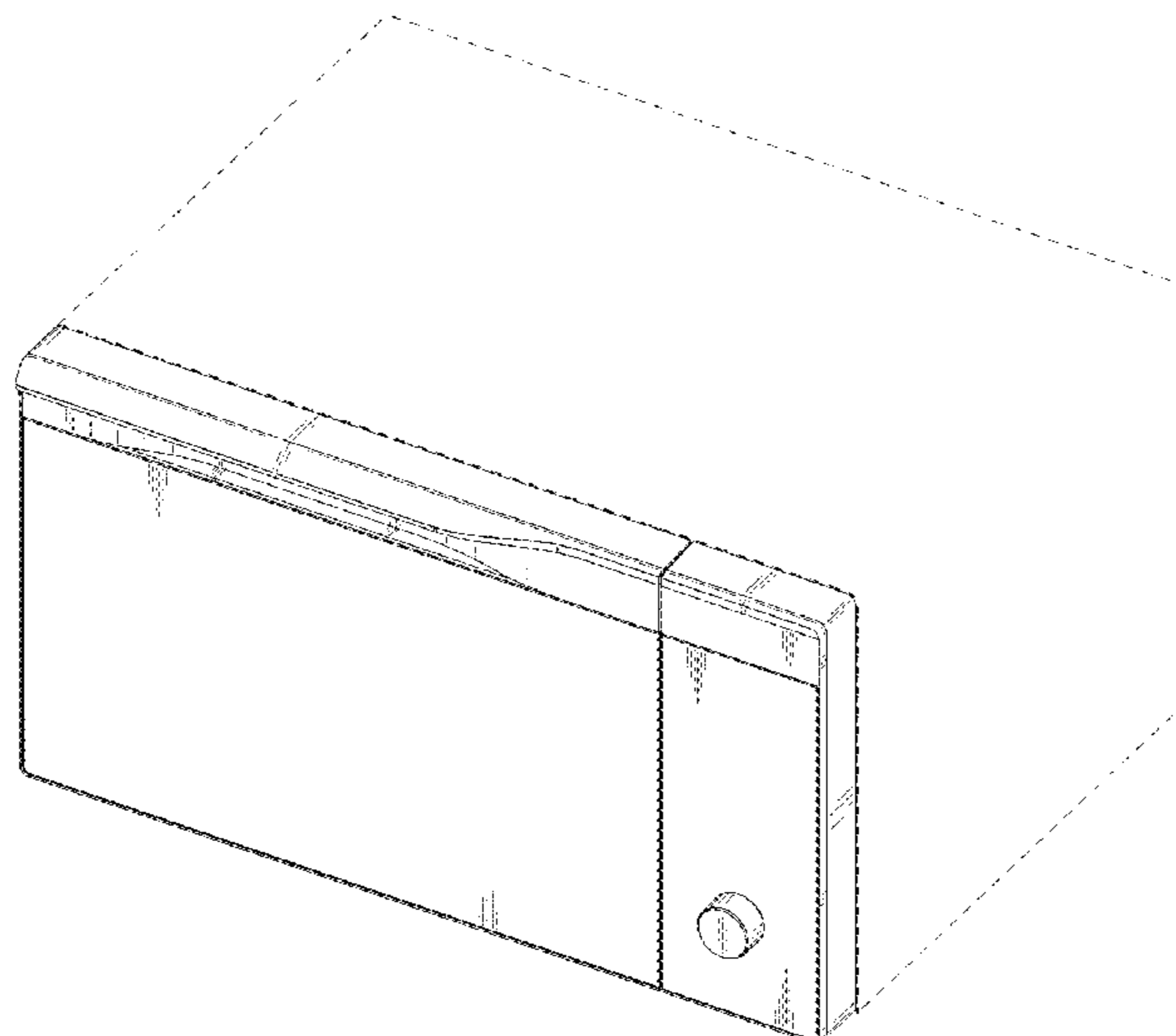
D305,597 S * 1/1990 Yoo D7/351
D354,415 S * 1/1995 Noda D7/351
D364,311 S * 11/1995 Kim D7/351
D373,925 S * 9/1996 Kim D7/351
D433,268 S * 11/2000 Taira D7/351

The dashed broken lines in the figures depict portions of the microwave oven that form no part of the claimed design. The dot-dash broken lines in the figures represent an unclaimed boundary line and form no part of the claimed design.

The dot-dot-dash broken lines in the figures represent an area illustrated in an enlargement and form no part of the claimed design.

(Continued)

1 Claim, 9 Drawing Sheets



(56)

References Cited

U.S. PATENT DOCUMENTS

D436,285	S *	1/2001	Taira	D7/351
D442,017	S *	5/2001	Noda	D7/351
D442,018	S *	5/2001	Kusachi	D7/351
D460,659	S *	7/2002	Hessen	D7/351
D704,983	S *	5/2014	Yoon	D7/351
D707,074	S *	6/2014	Shin	D7/351
D708,469	S *	7/2014	Kim	D7/351
D712,694	S *	9/2014	Kim	D7/351
D717,580	S *	11/2014	Bryant	D7/351
D717,581	S *	11/2014	Kim	D7/351
D741,639	S *	10/2015	Kim	D7/351
D741,649	S *	10/2015	Kim	D7/405
D750,431	S *	3/2016	Bergese	D7/405
D761,620	S *	7/2016	Kim	D7/405
D762,416	S *	8/2016	Kim	D7/405
D764,228	S *	8/2016	Kim	D7/405
D764,229	S *	8/2016	Chung	D7/405
D766,657	S *	9/2016	Bergese	D7/405
2008/0116198	A1 *	5/2008	Frank	H05B 6/6426 219/678
2012/0165188	A1 *	6/2012	Croskey	B41M 7/0009 503/201

* cited by examiner

FIG. 1

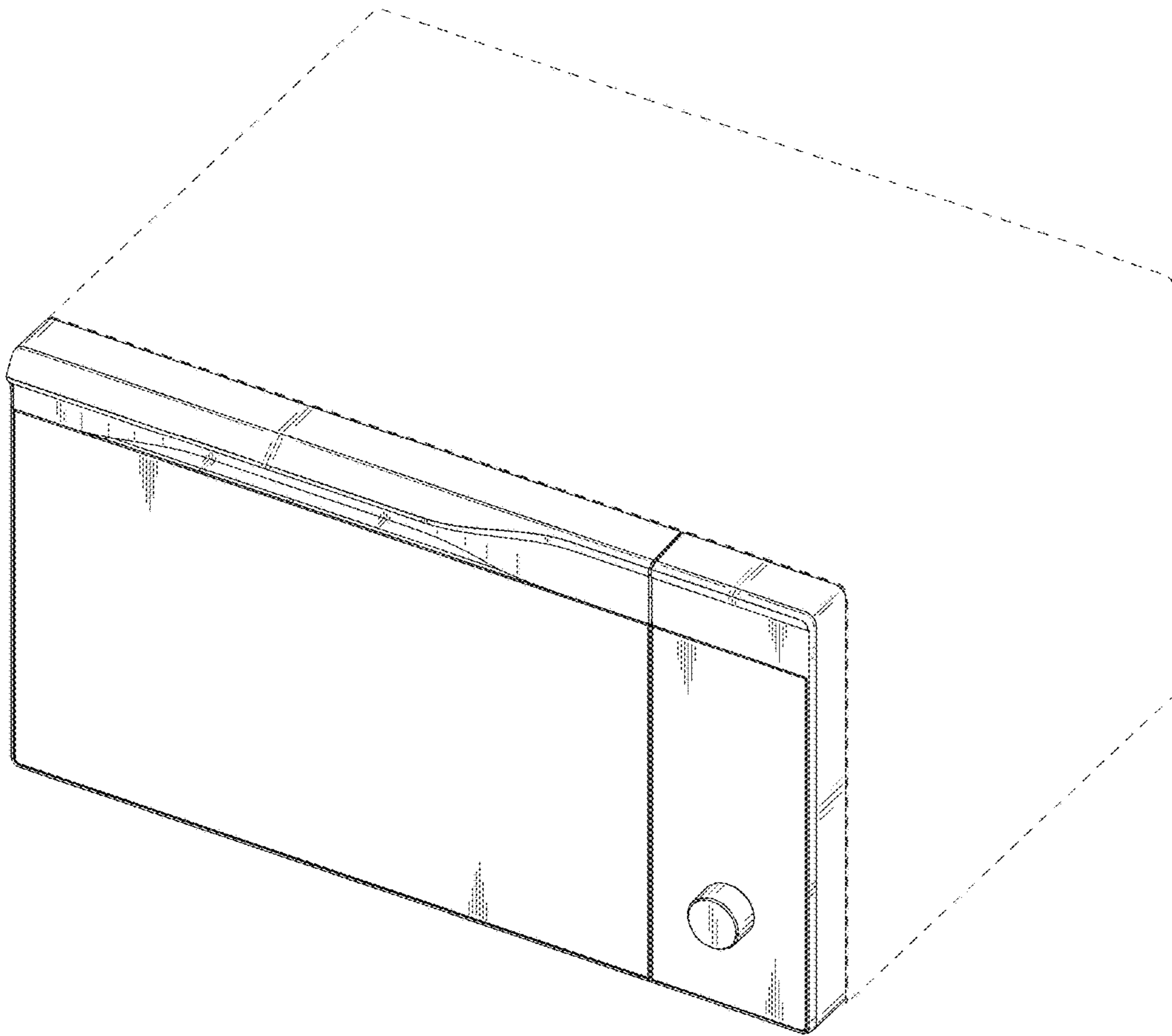


FIG. 2

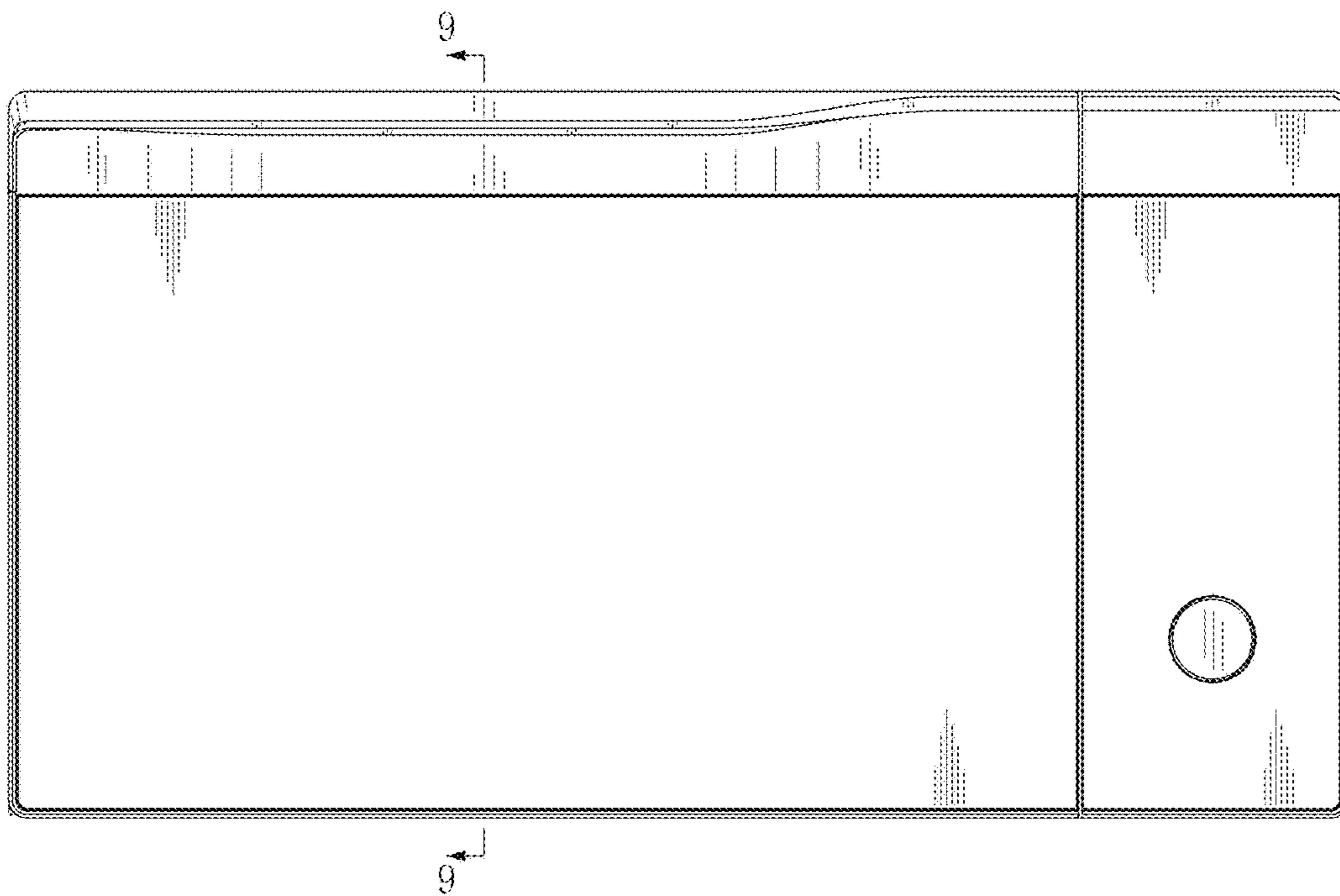


FIG. 3

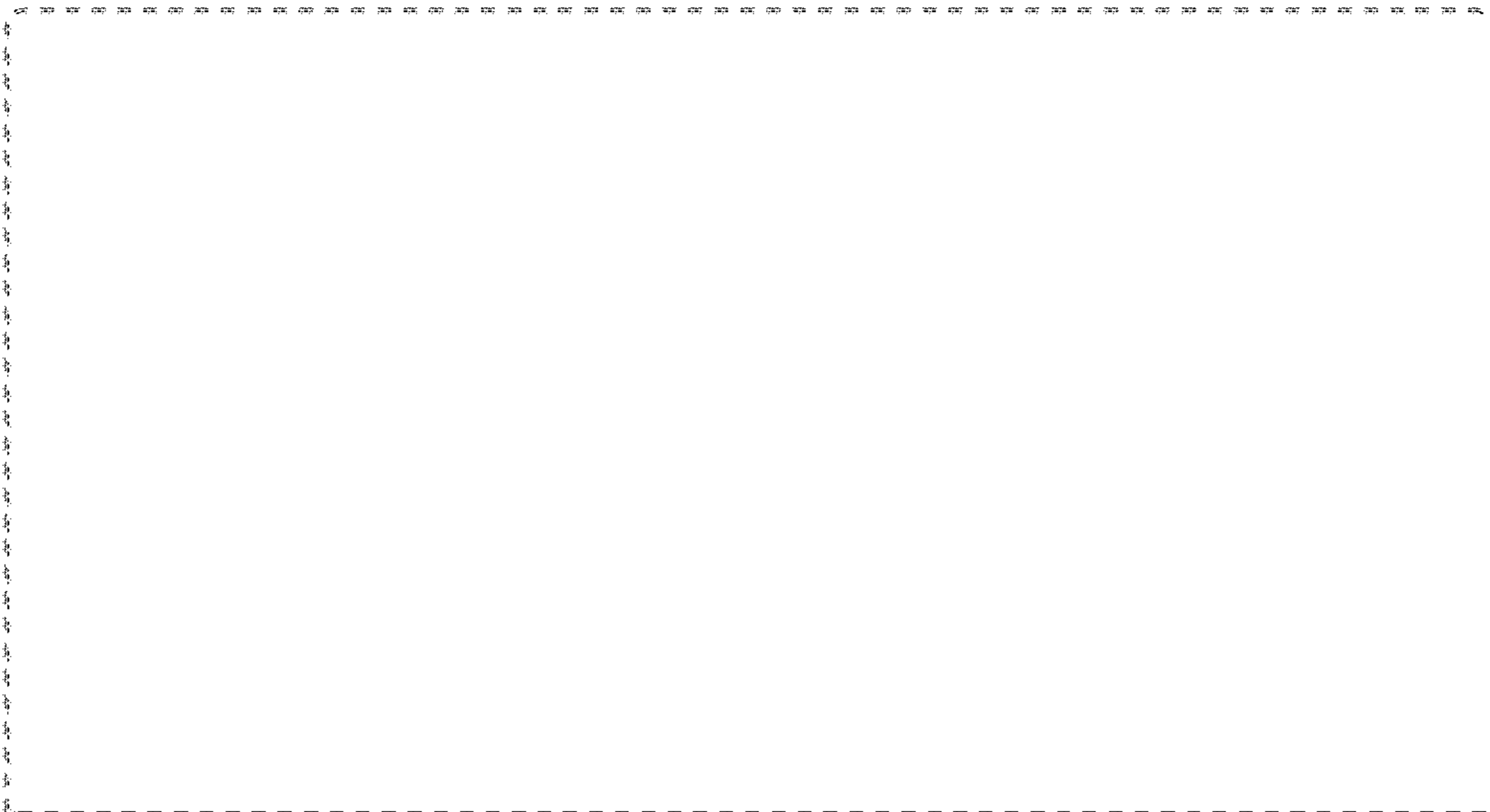


FIG. 4

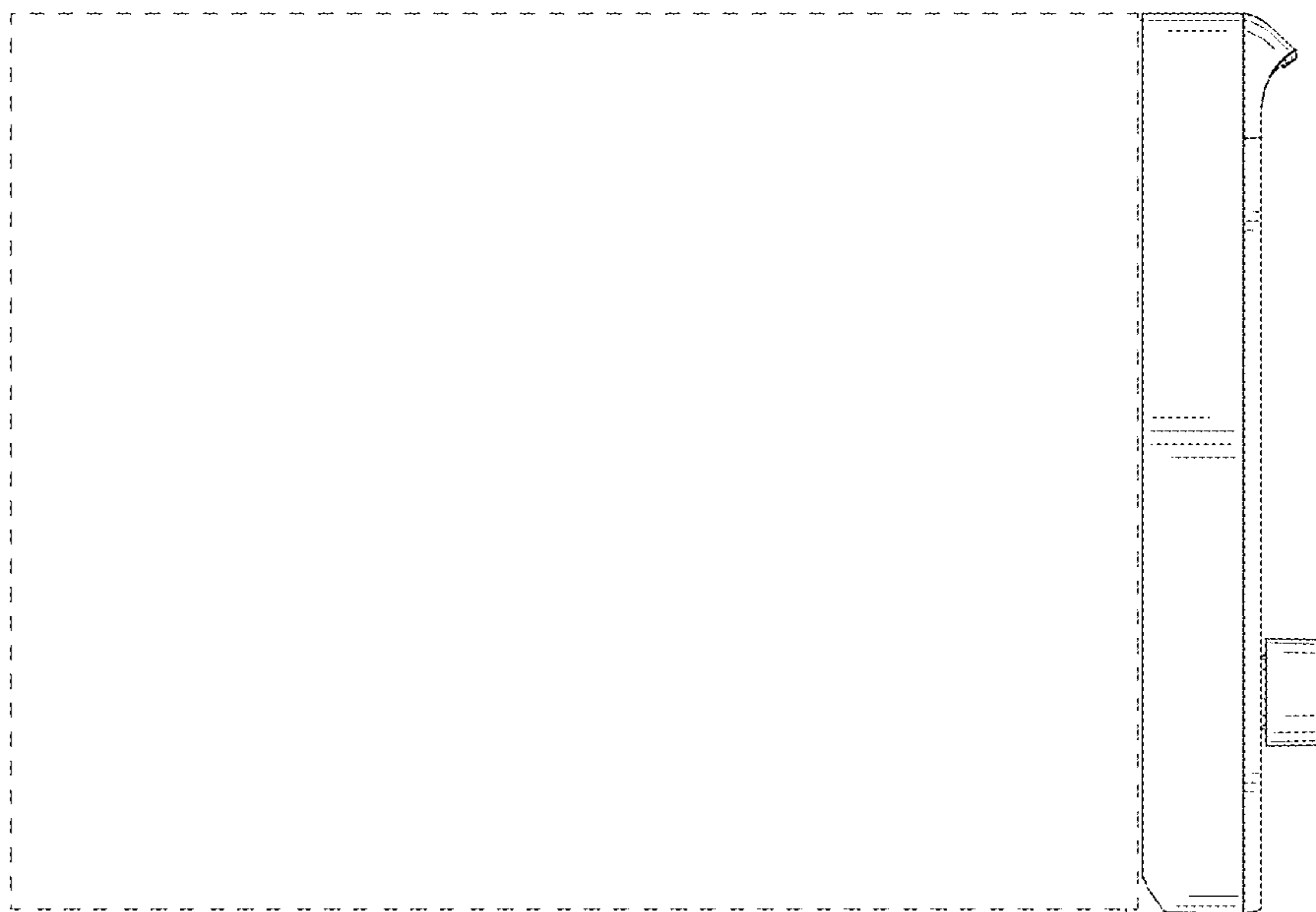


FIG. 5

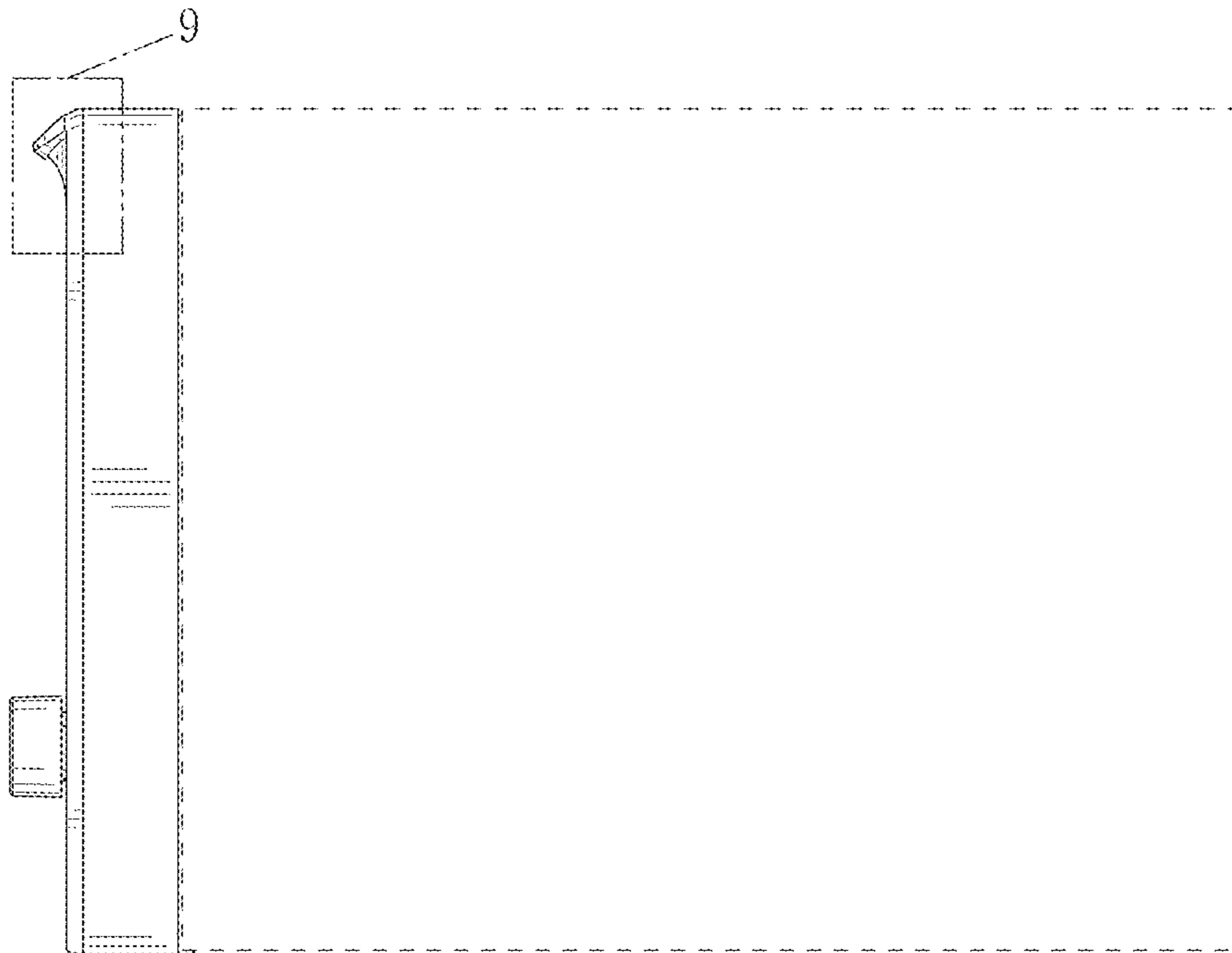


FIG. 6

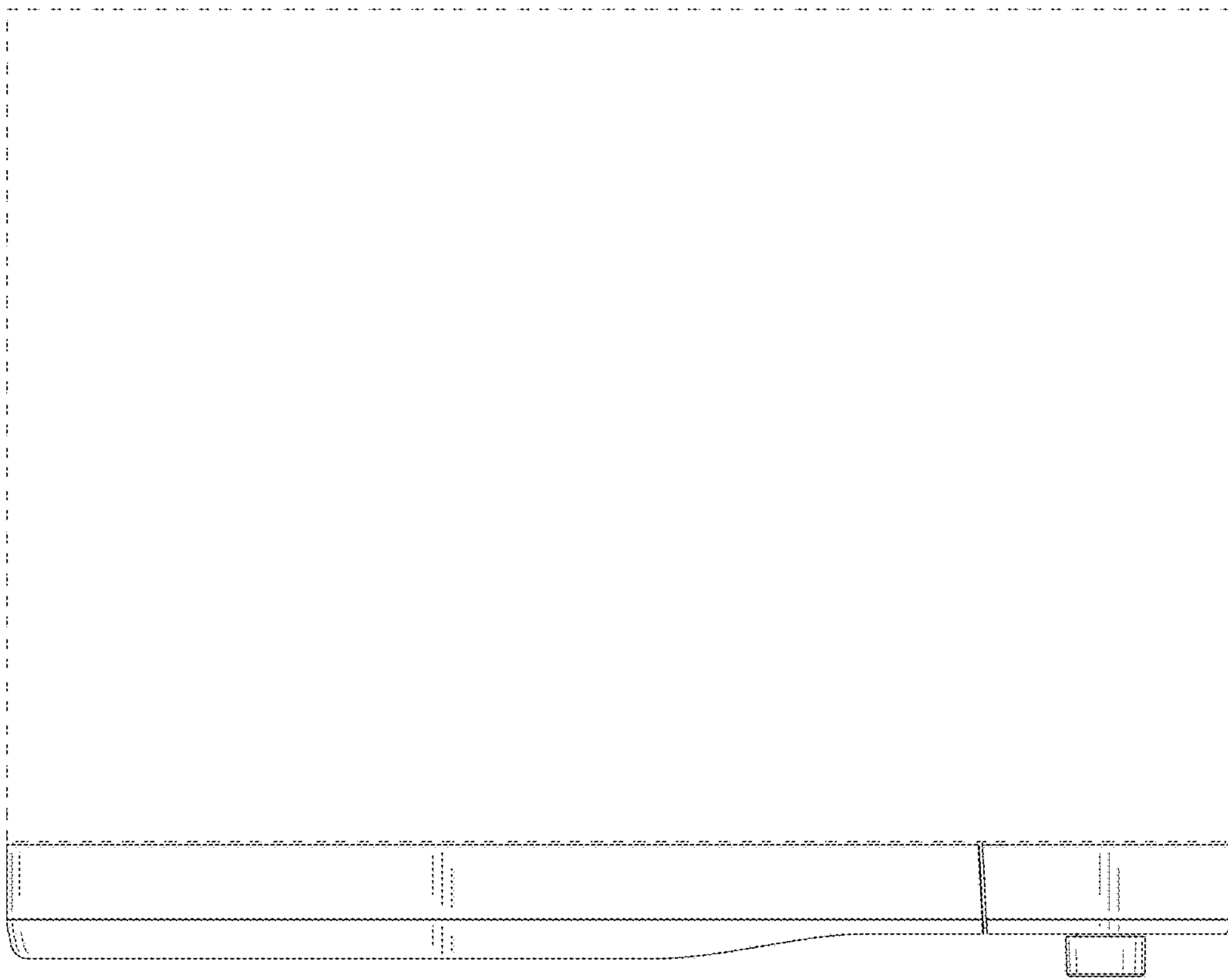


FIG. 7

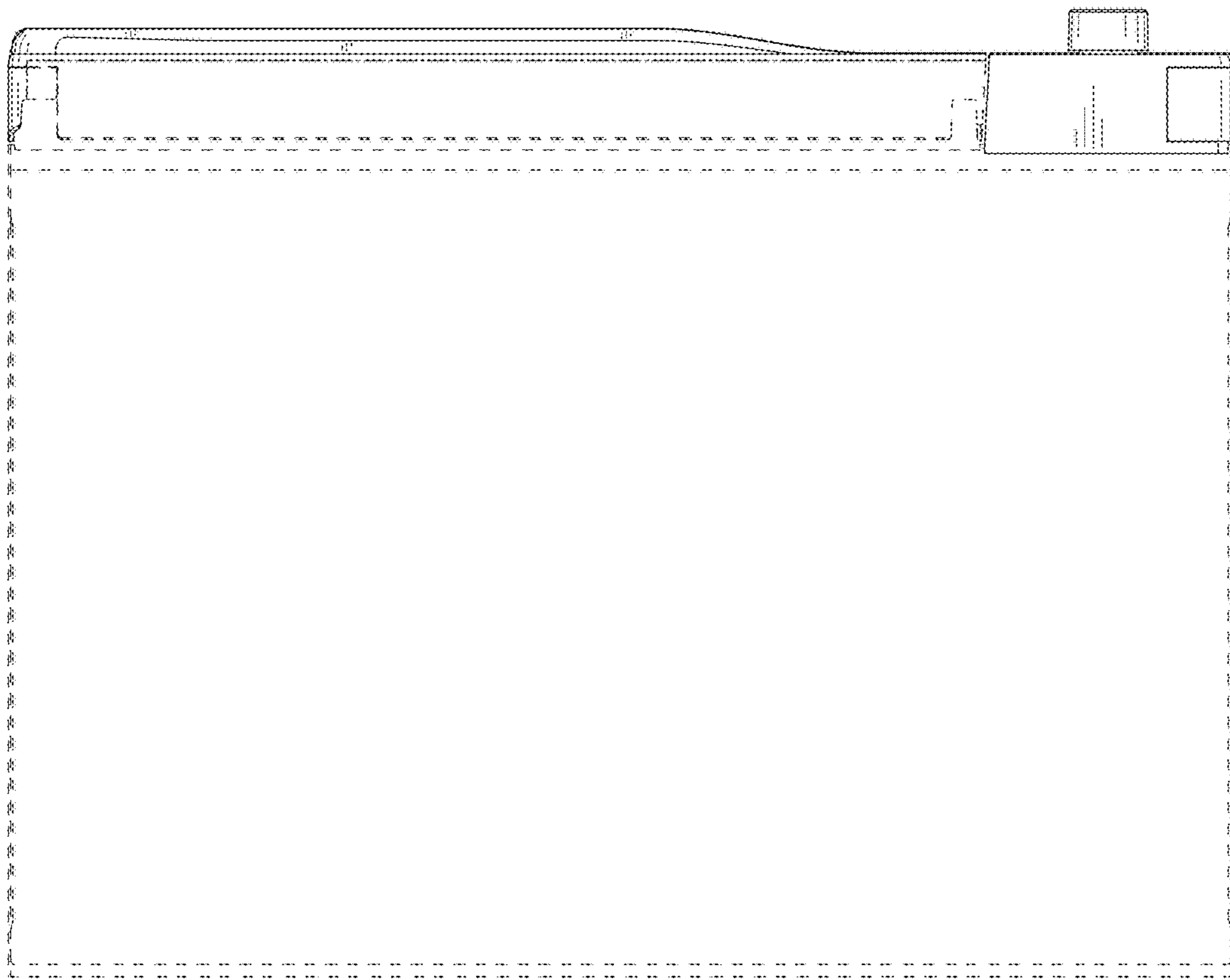


FIG. 8

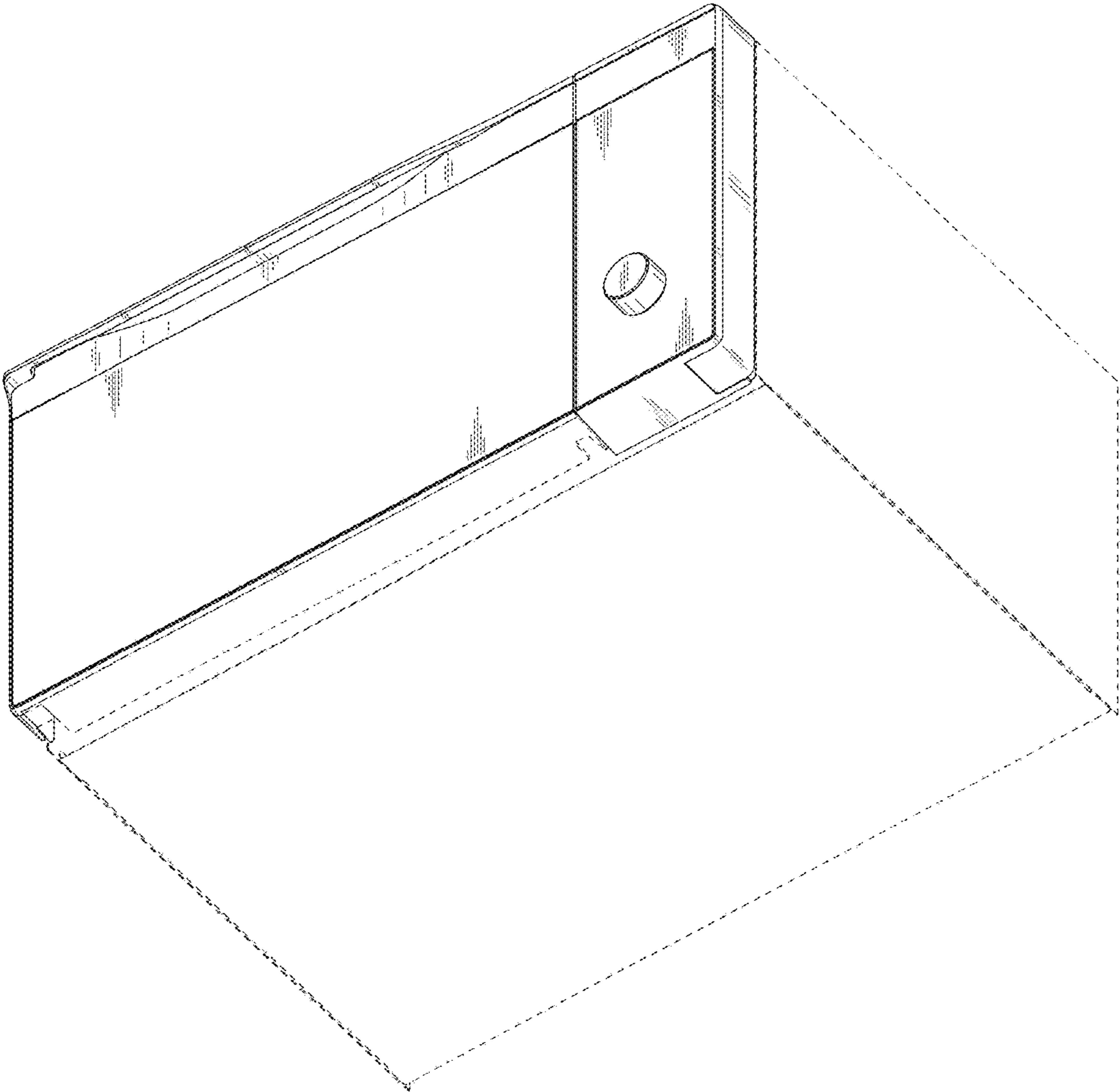


FIG. 9

