



US00D779262S

(12) **United States Design Patent** (10) **Patent No.:** **US D779,262 S**  
**Kim et al.** (45) **Date of Patent:** **\*\* Feb. 21, 2017**

(54) **OVEN**

(56) **References Cited**

(71) Applicant: **Samsung Electronics Co., Ltd.**,  
Suwon-si (KR)

(72) Inventors: **Taikyung Kim**, Seoul (KR); **Jaejun Kim**, Seoul (KR); **Hyeongju Seo**, Seoul (KR)

(73) Assignee: **SAMSUNG ELECTRONICS CO., LTD.**, Suwon-si (KR)

(\*\*) Term: **15 Years**

(21) Appl. No.: **29/554,829**

(22) Filed: **Feb. 16, 2016**

U.S. PATENT DOCUMENTS

D688,518	S	*	8/2013	Baek	.....	D7/402
D690,994	S	*	10/2013	Baek	.....	D7/405
D724,889	S	*	3/2015	Borjesson	.....	D7/349
D728,300	S	*	5/2015	Borjesson	.....	D7/349
D741,104	S	*	10/2015	Funnell, II	.....	D7/348
D750,413	S	*	3/2016	Funnell, II	.....	D7/348
D754,476	S	*	4/2016	Crookshanks	.....	D7/405
D762,086	S	*	7/2016	Kim	.....	D7/405
D762,415	S	*	8/2016	Chung	.....	D7/405
D763,617	S	*	8/2016	Kim	.....	D7/339
D764,230	S	*	8/2016	Shoemaker	.....	D7/405
D764,854	S	*	8/2016	Kim	.....	D7/339
D766,030	S	*	9/2016	Chung	.....	D7/348
2014/0070685	A1	*	3/2014	Yantis	.....	F24C 15/02 312/319.2

(30) **Foreign Application Priority Data**

Aug. 28, 2015 (KR) ..... 30-2015-0043534

(51) **LOC (10) Cl.** ..... **07-02**

(52) **U.S. Cl.**  
USPC ..... **D7/348; D7/349**

(58) **Field of Classification Search**  
USPC ..... D7/350.1, 348, 323, 339, 347, 402,  
D7/405, 349, 350.3, 328; D8/303, 308  
CPC ..... A21B 2/00; A47J 37/00; A47J 37/06;  
A47J 37/0611; A47J 37/08; A47J  
37/0807; A47J 37/0814; A47J 37/0835;  
A47J 37/0842; A47J 37/085; A47J  
37/0864; A47J 37/0878; A47J 37/0885;  
A47J 37/0892; F24C 7/00; F24C 7/002;  
F24C 7/046; F24C 7/067; F24C  
15/02; F24C 15/04; F24C 15/10; F24C  
15/102

See application file for complete search history.

\* cited by examiner

*Primary Examiner* — Robin V Webster

*Assistant Examiner* — James Thorn, Sr.

(74) *Attorney, Agent, or Firm* — McAndrews Held & Malloy, Ltd.

(57) **CLAIM**

The ornamental design for an oven, as shown and described.

**DESCRIPTION**

FIG. 1 is a top perspective view of an oven showing our new design;  
FIG. 2 is a front elevation view thereof;  
FIG. 3 is a rear elevation view thereof;  
FIG. 4 is a left-side elevation view thereof;  
FIG. 5 is a right-side elevation view thereof;  
FIG. 6 is a top plan view thereof; and,  
FIG. 7 is a bottom plan view thereof.  
The dashed broken lines in the figures depict portions of the oven that form no part of the claimed design.

**1 Claim, 7 Drawing Sheets**

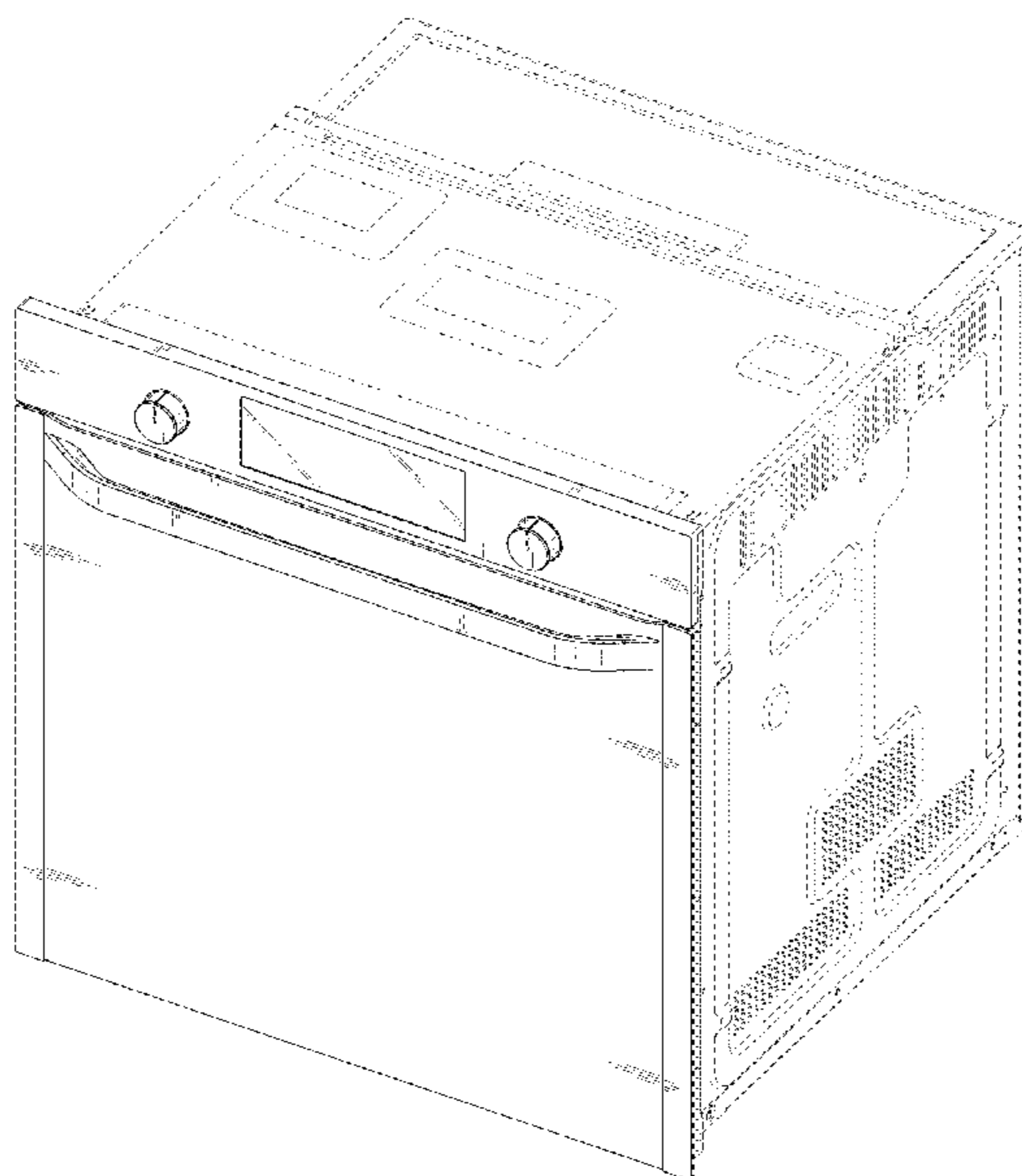


FIG. 1

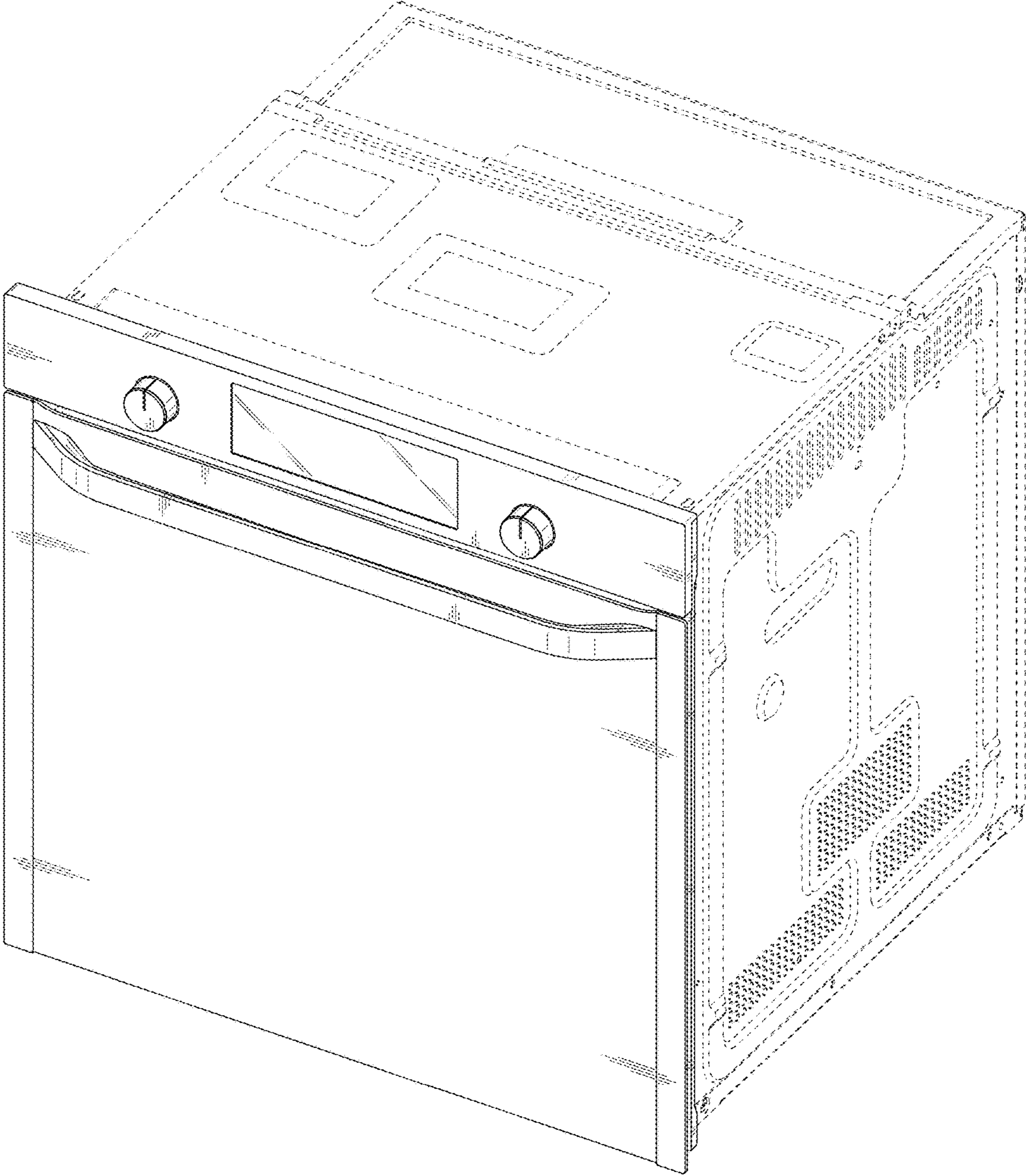


FIG. 2

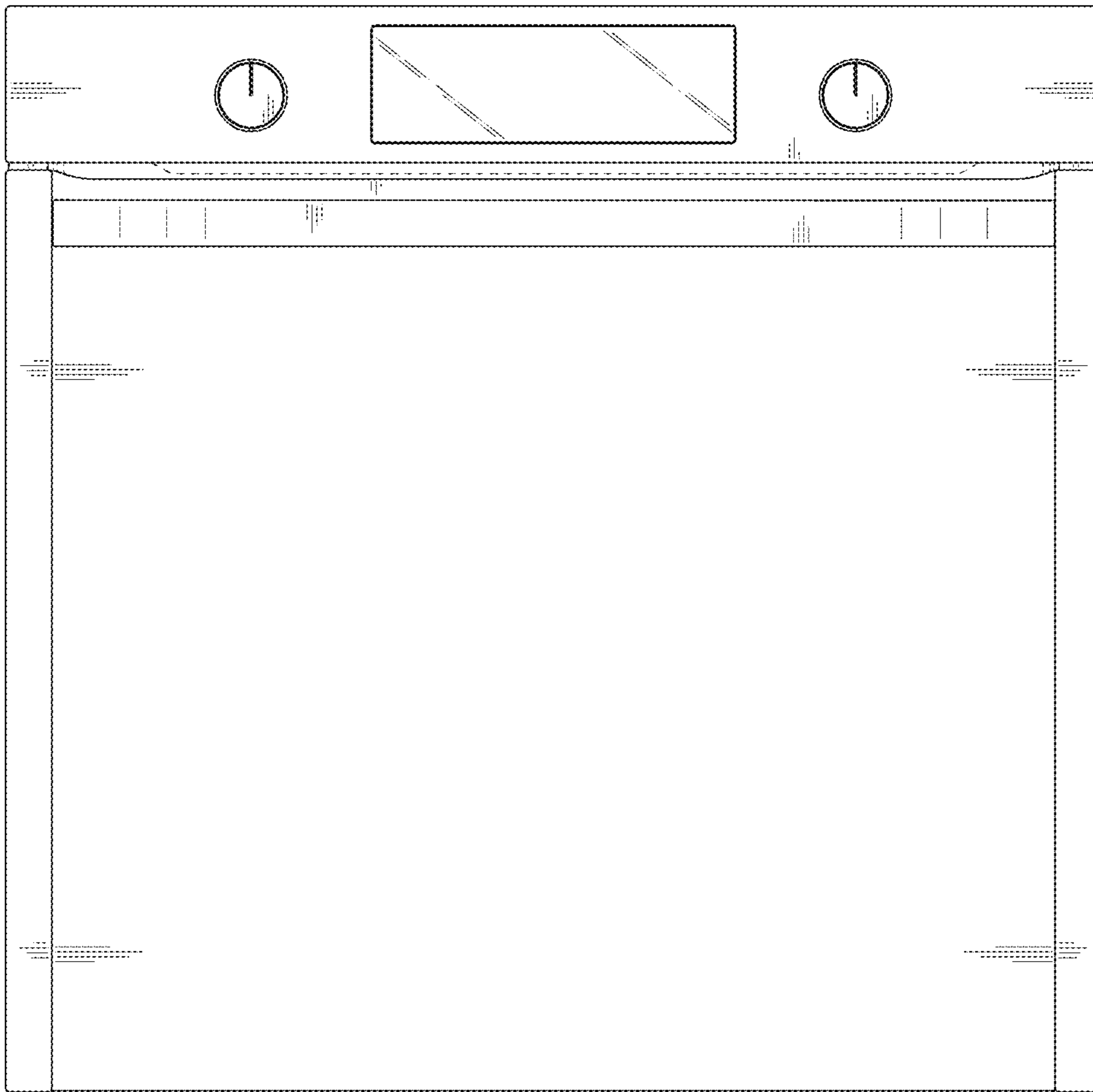


FIG. 3

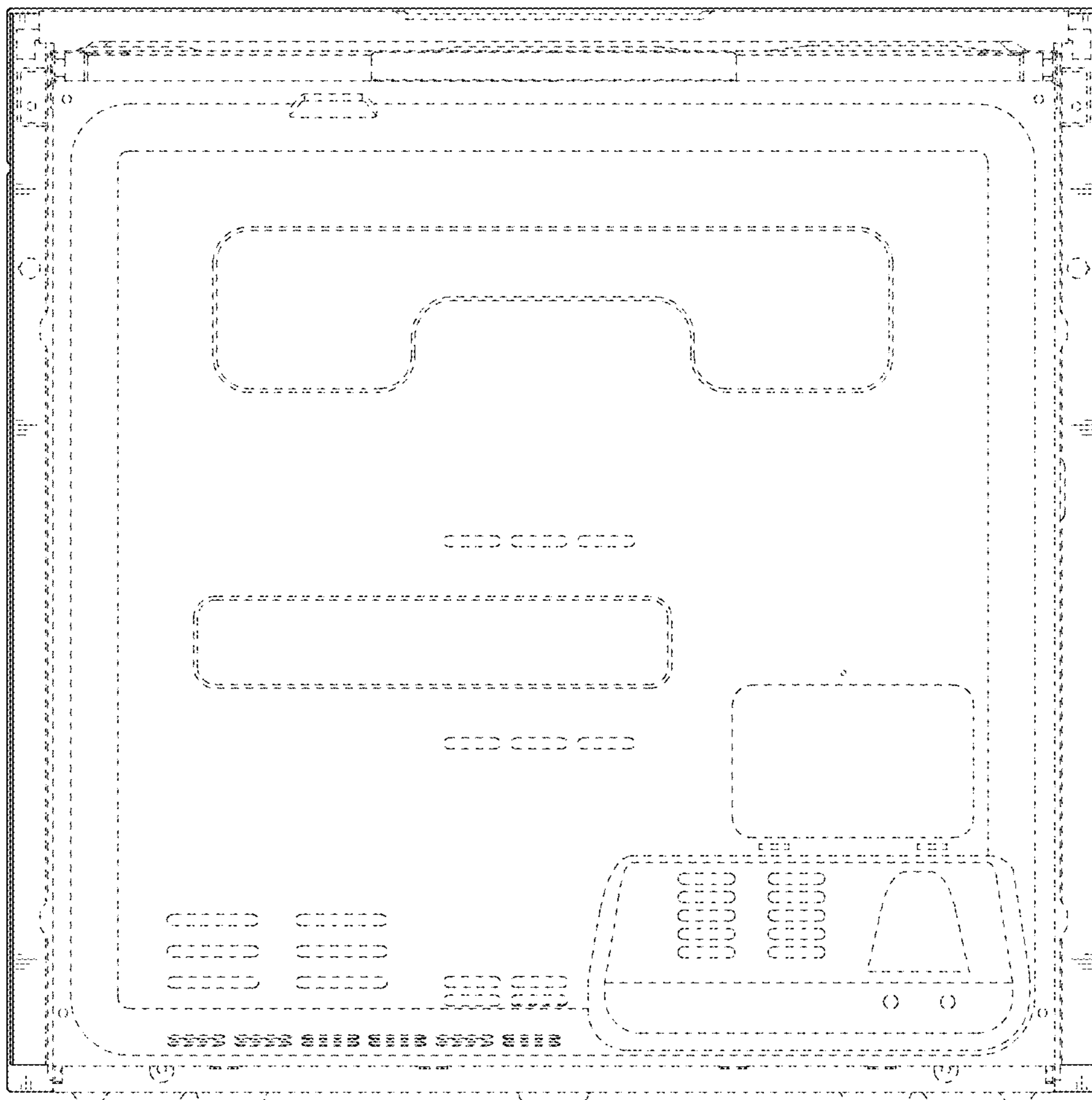


FIG. 4

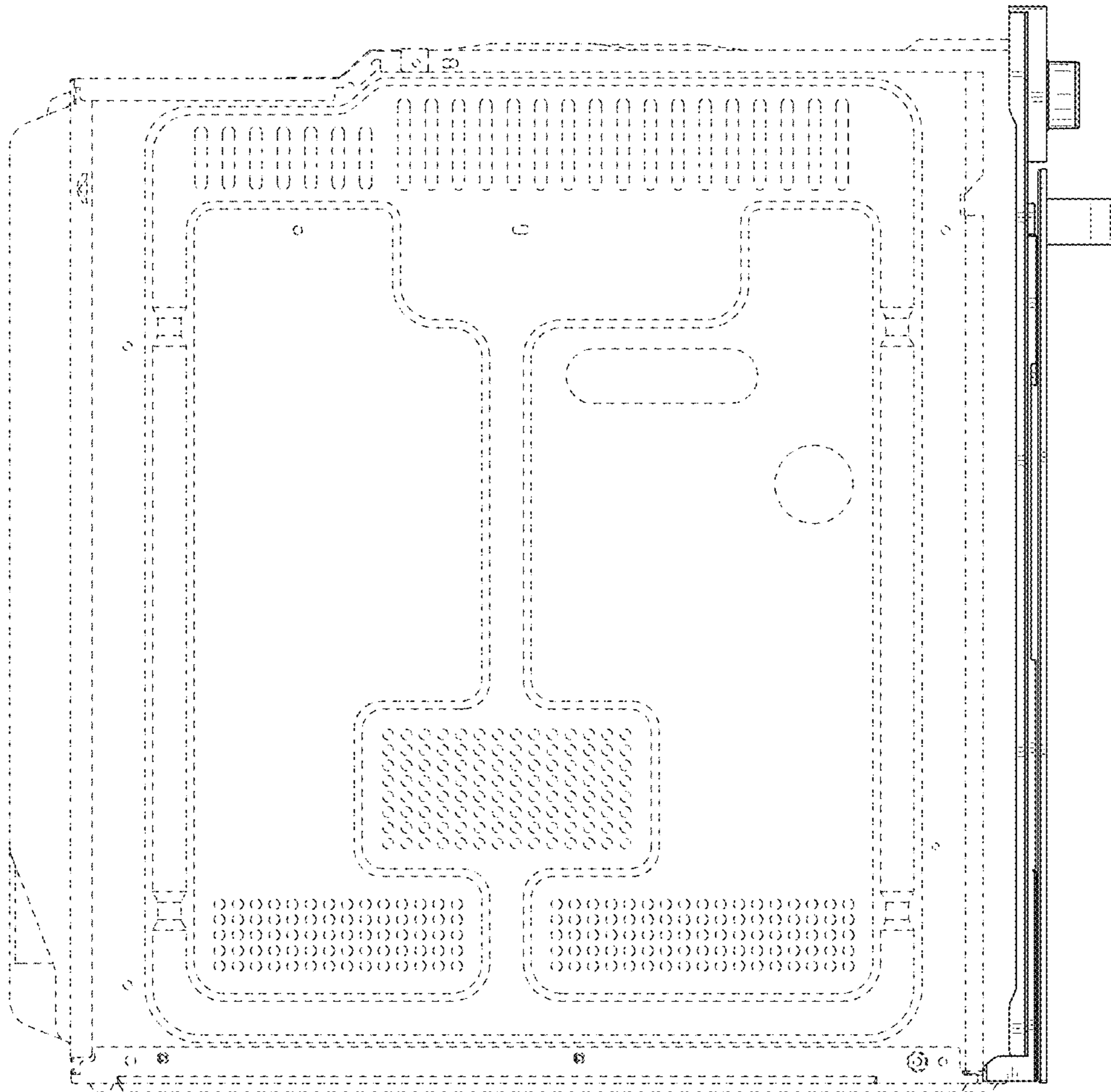


FIG. 5

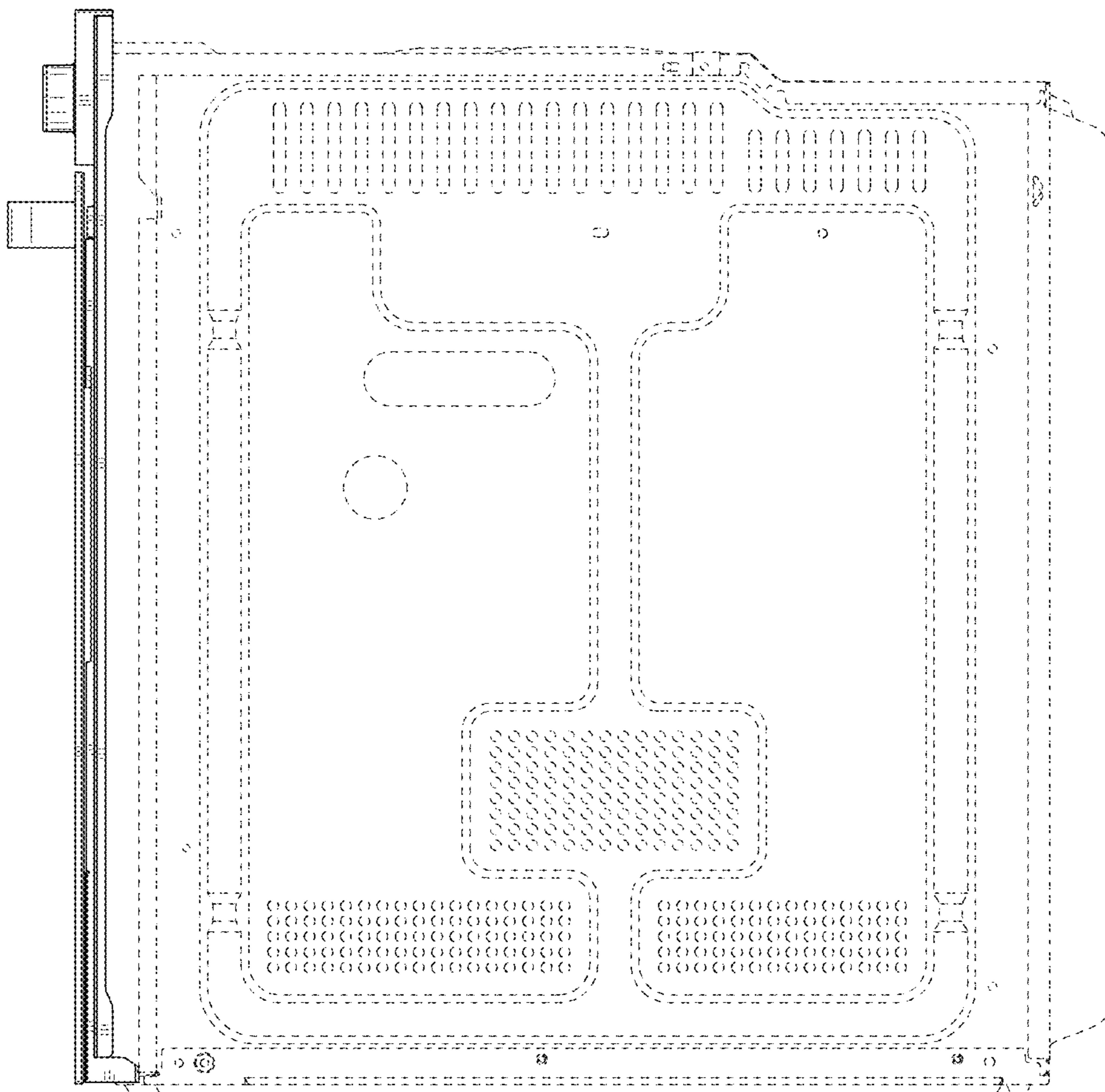


FIG. 6

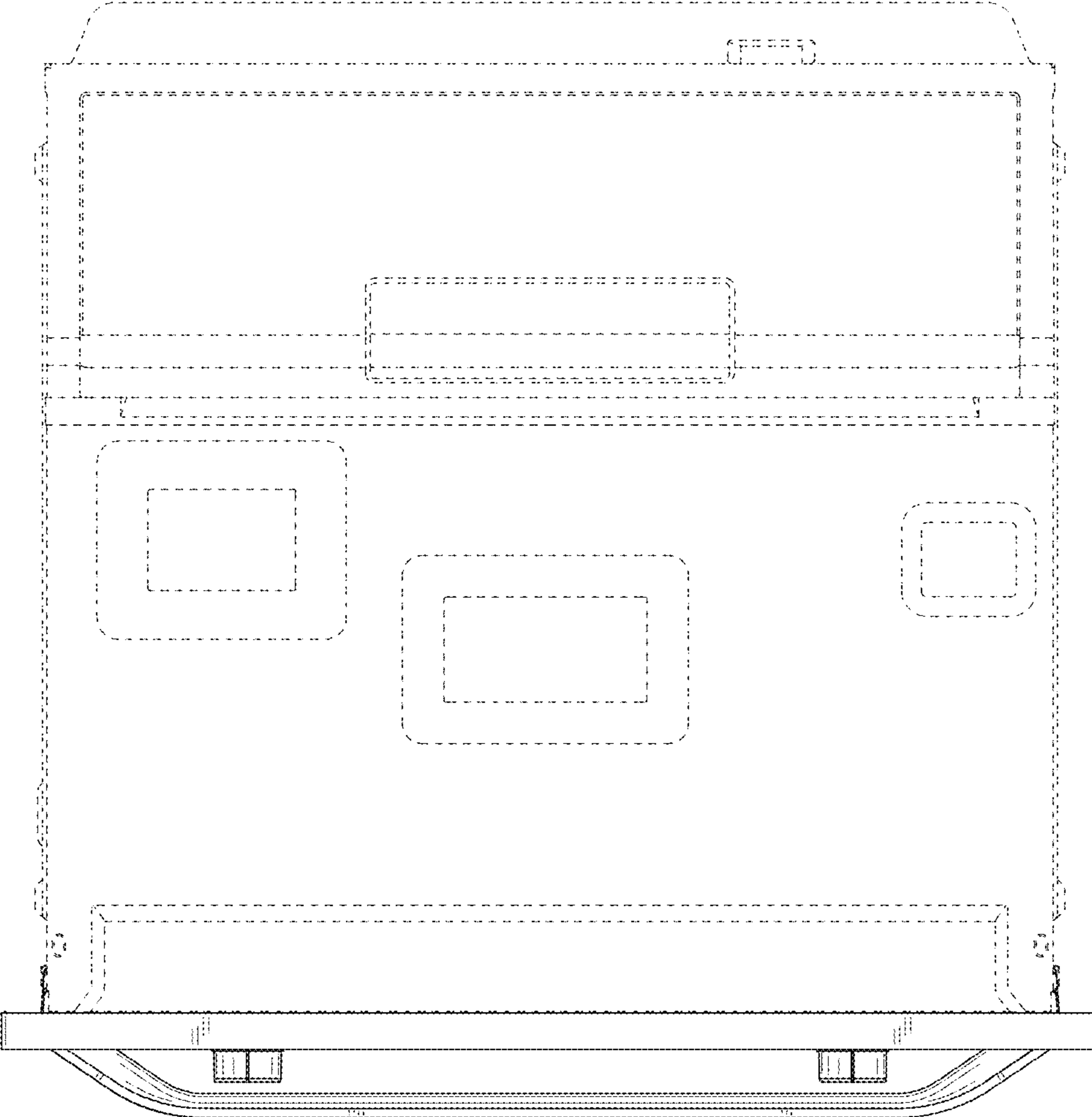


FIG. 7

