



US00D779261S

(12) **United States Design Patent** (10) **Patent No.:** **US D779,261 S**
Barquin et al. (45) **Date of Patent:** **** Feb. 21, 2017**

- (54) **GRILL**
- (71) Applicant: **Spectrum Brands, Inc.**, Middleton, WI (US)
- (72) Inventors: **Javier Barquin**, Madison, WI (US);
Claudia Del Conte, Madison, WI (US);
Andres Moline, Miami, FL (US)
- (73) Assignee: **Spectrum Brands, Inc.**, Middleton, WI (US)

- D478,462 S * 8/2003 Zhu D7/332
D516,368 S * 3/2006 Zhang D7/337
D520,803 S * 5/2006 Lu D7/335
D520,804 S * 5/2006 Lu D7/335
D560,978 S * 2/2008 Daams D7/609
D575,084 S * 8/2008 Jehs D6/708.17
D579,239 S * 10/2008 Massaud D6/691.4
D612,477 S * 3/2010 Simpson D23/403
D702,986 S * 4/2014 Tomalin-Reeves D7/332
D718,558 S * 12/2014 Chipman D6/692.3
D726,490 S * 4/2015 Spencer D7/332

(Continued)

- (**) Term: **14 Years**
- (21) Appl. No.: **29/519,577**
- (22) Filed: **Mar. 6, 2015**
- (51) **LOC (10) Cl.** **07-02**
- (52) **U.S. Cl.**
USPC **D7/335**
- (58) **Field of Classification Search**
USPC D7/323-339, 352-353, 402-403, 609,
D7/501.1-501.4; 126/25 R, 41 R, 50;
D9/428, 429; D6/691.4, 691.5, 692.3;
D23/403
CPC A47J 37/0611; A47J 37/06; A47J 37/0617;
A47J 37/07-37/0713; A47J 37/0763
See application file for complete search history.

- (56) **References Cited**
- U.S. PATENT DOCUMENTS
- D183,231 S * 7/1958 Turner D23/403
D207,935 S * 6/1967 Lovett D23/403
3,785,361 A * 1/1974 Mejyr A47J 37/0713
126/25 R
5,524,610 A * 6/1996 Clark F24J 2/02
126/25 R
D423,280 S * 4/2000 Lin D7/337
D451,333 S * 12/2001 Hsu D7/350.4
D456,202 S * 4/2002 McNair D7/332
6,418,923 B1 * 7/2002 Cantrell A47J 37/0704
126/25 R

OTHER PUBLICATIONS

George Foreman Indoor/Outdoor Grills website, <http://www.georgeformancooking.com/products/indoor-outdoor-grills.aspx#/?page=1&filter.brand=George%20Foreman&filter.categorytier2=Indoor/Outdoor%20Grills>.

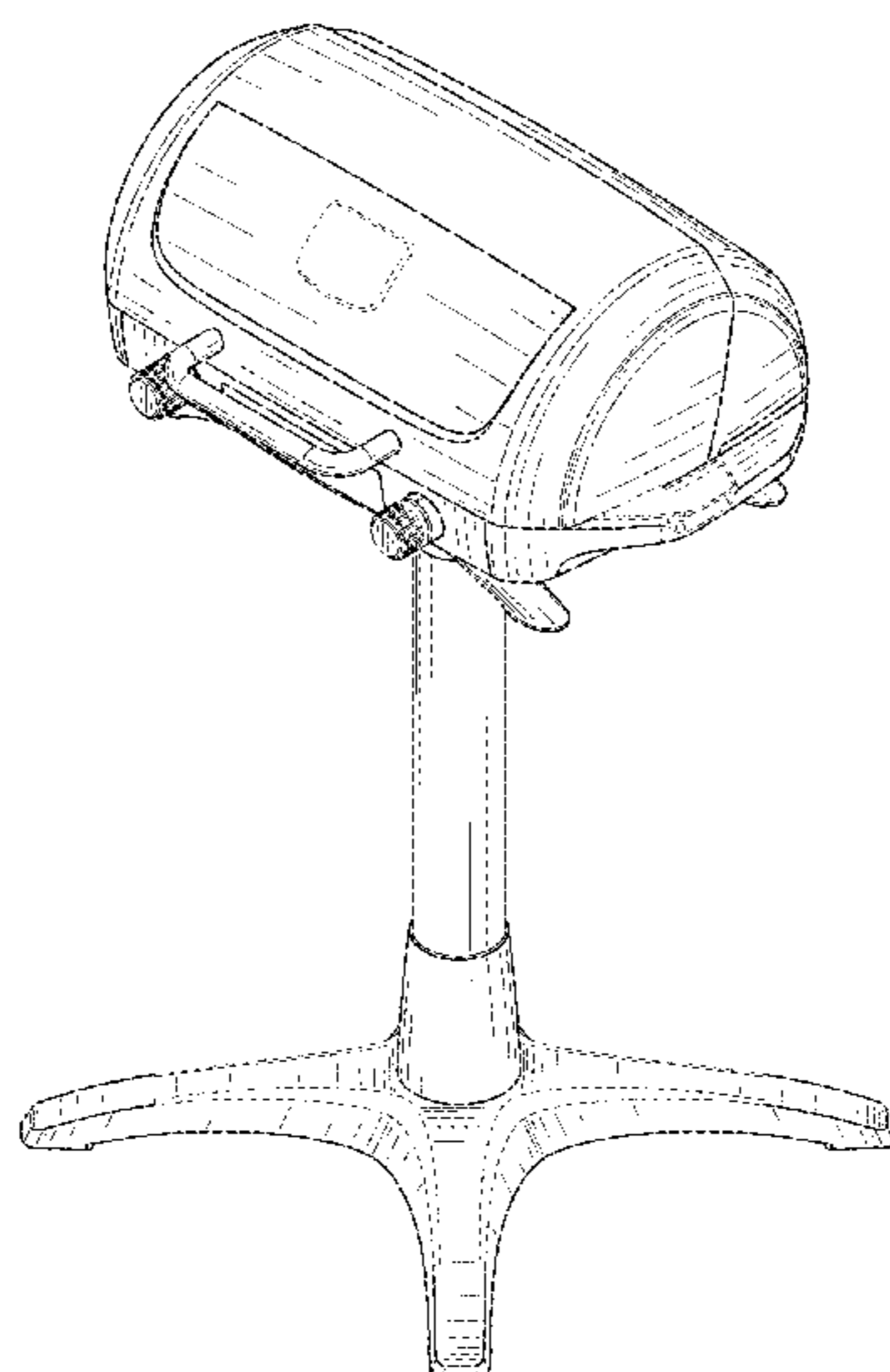
Primary Examiner — Susan Bennett Hattan
Assistant Examiner — Brett Miller
(74) *Attorney, Agent, or Firm* — Banner & Witcoff, Ltd.

- (57) **CLAIM**
The ornamental design for a grill, as shown and described.

DESCRIPTION

FIG. 1 is a front perspective view of a grill showing our new design;
FIG. 2 is a front view thereof;
FIG. 3 is a rear view thereof;
FIG. 4 is a right side view thereof;
FIG. 5 is a left side view thereof; and,
FIG. 6 is top view thereof.
The broken lines, that are immediately adjacent to the shaded areas and define unshaded regions, represent the bounds of the claimed design. The broken lines that are shown within the broken line boundaries and the broken lines outside of the claim are directed to environment. The broken lines form no part of the claimed design.

1 Claim, 6 Drawing Sheets



(56)

References Cited

U.S. PATENT DOCUMENTS

D738,155 S *	9/2015	Chung	D7/334
D743,200 S *	11/2015	Pai	D7/337
D747,910 S *	1/2016	Costa	D7/337
2005/0229917 A1 *	10/2005	Profitt	A47J 37/0713
				126/25 R
2014/0261012 A1 *	9/2014	Perez, Jr.	A47J 37/0694
				99/403

* cited by examiner

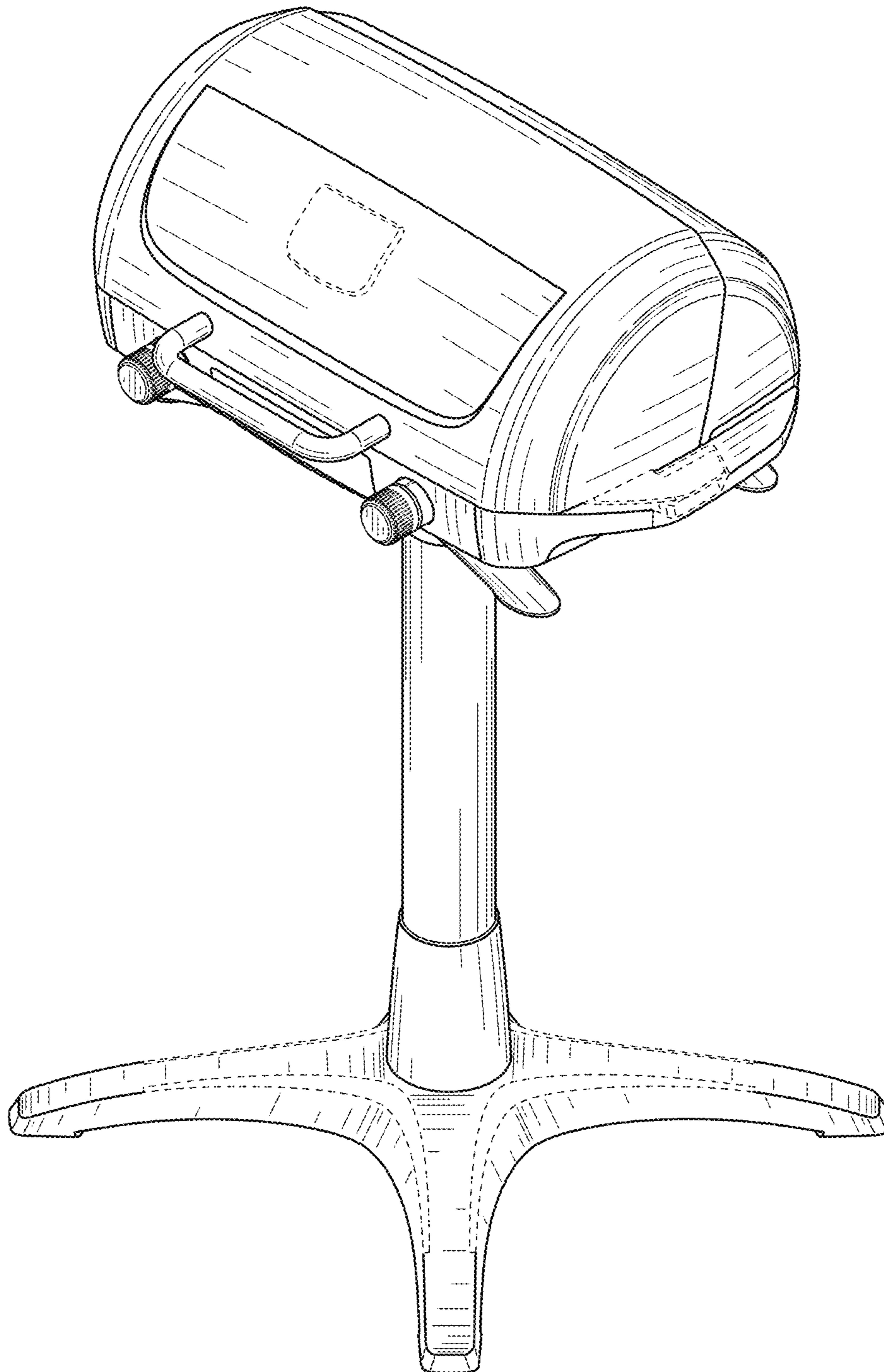


FIG. 1

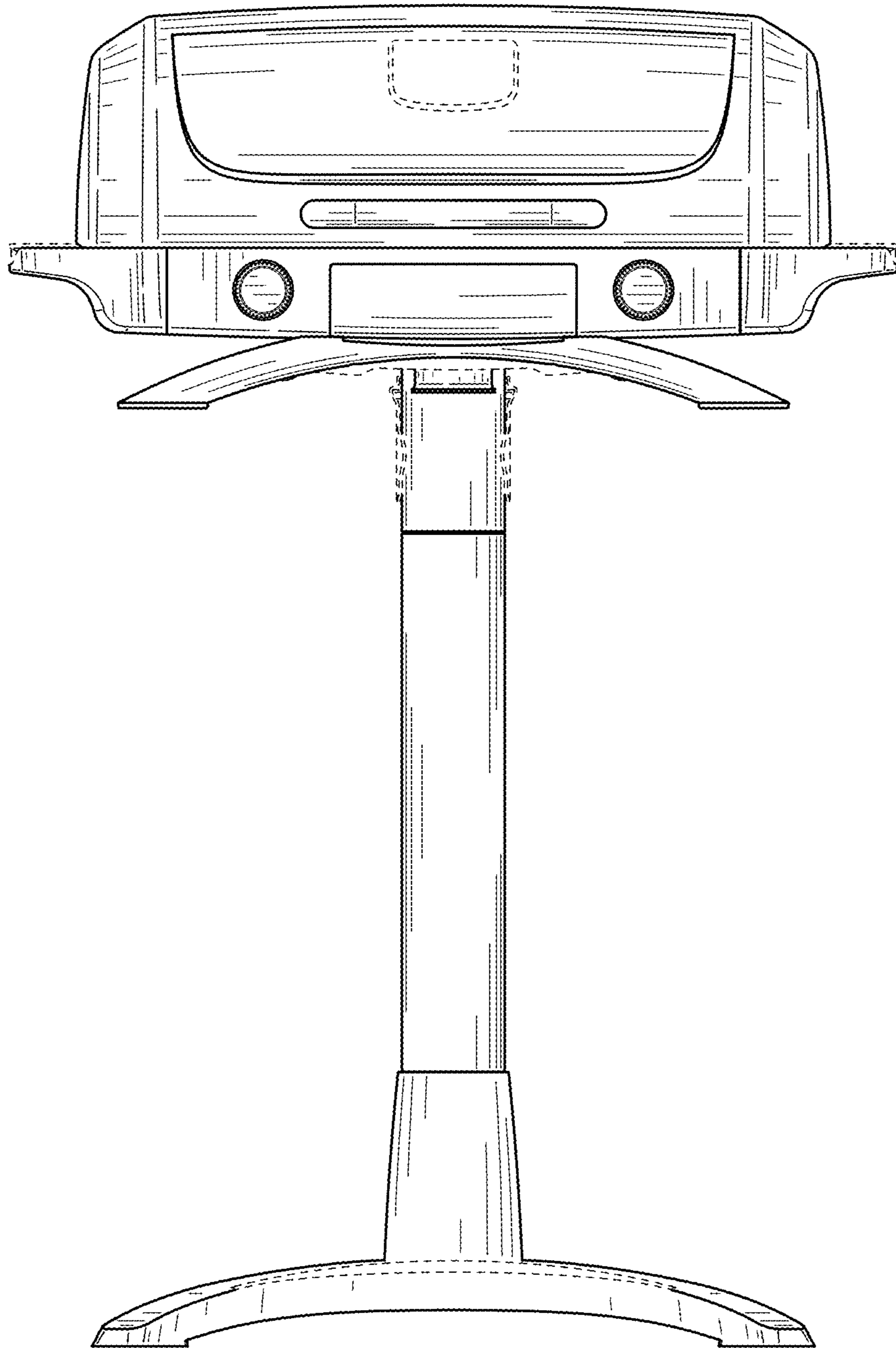


FIG. 2

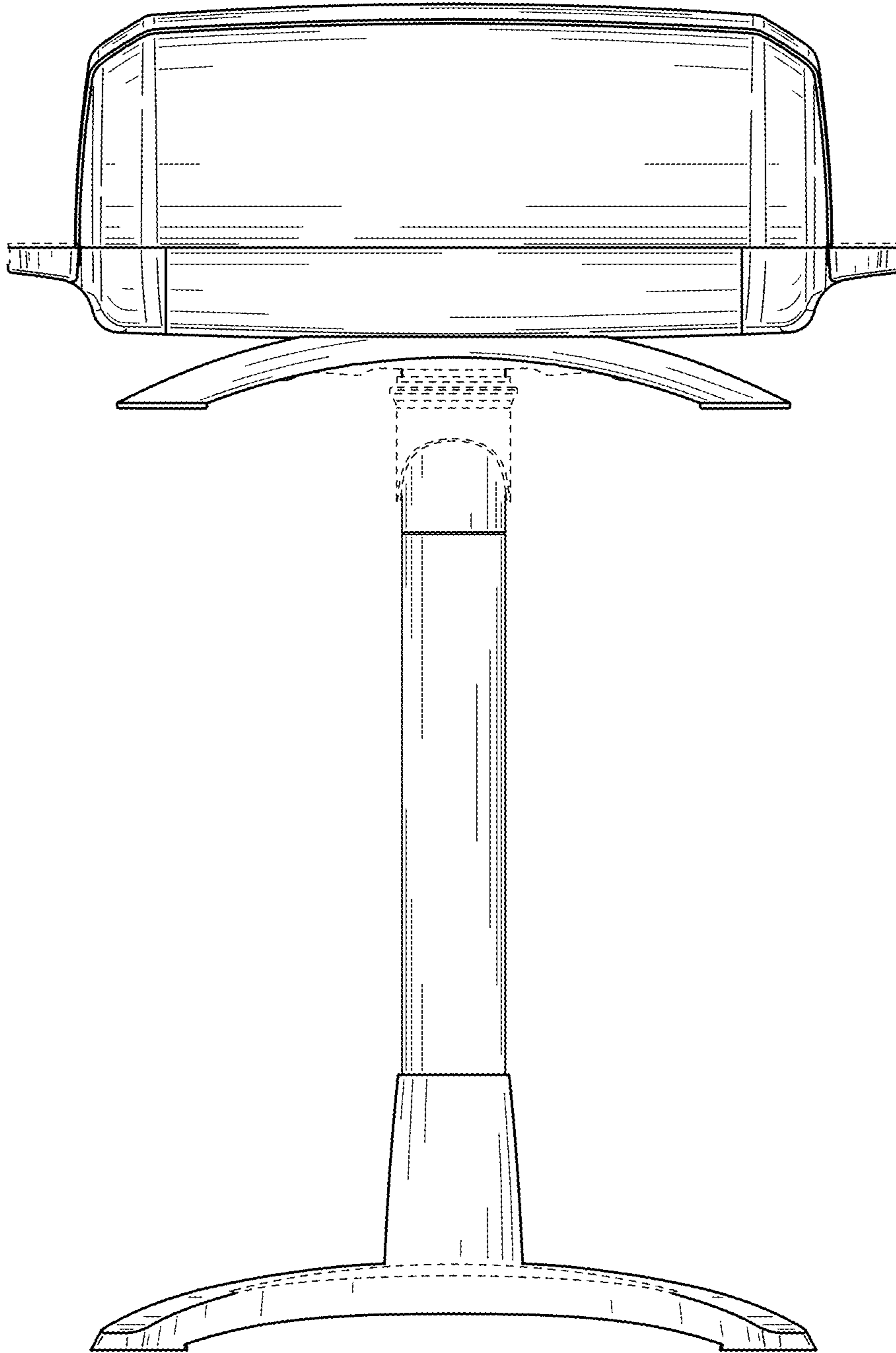


FIG. 3

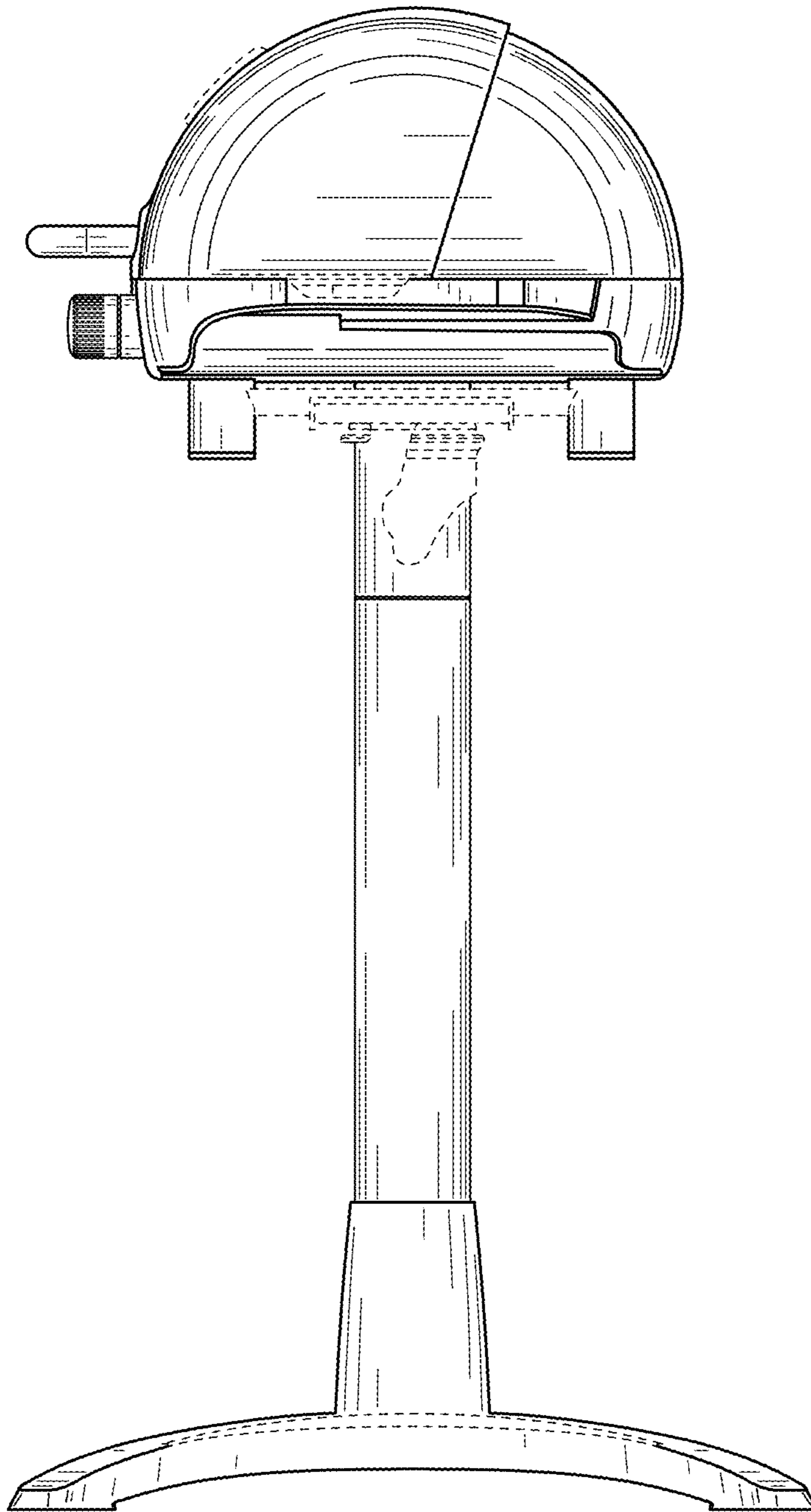


FIG. 4

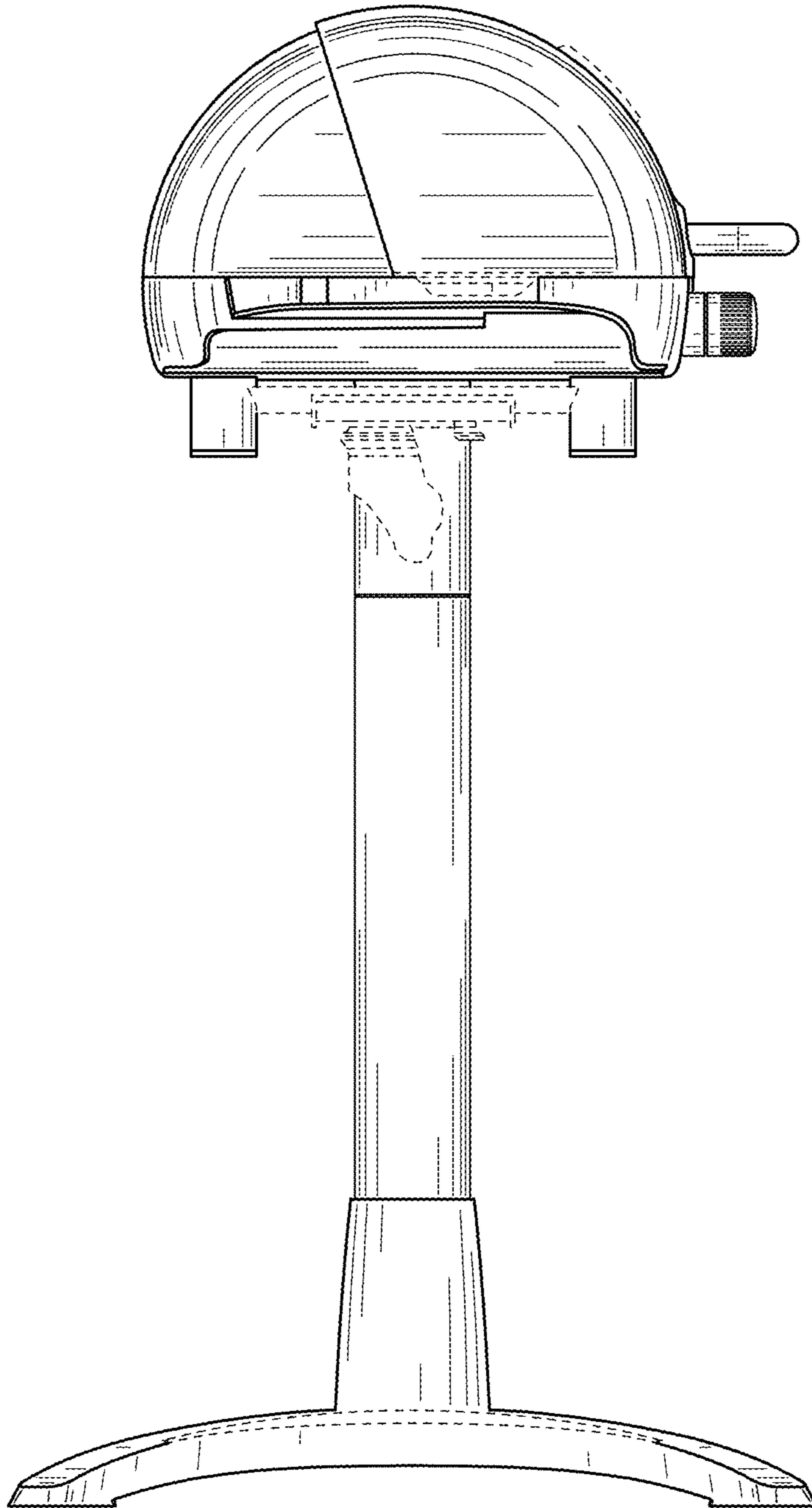


FIG. 5

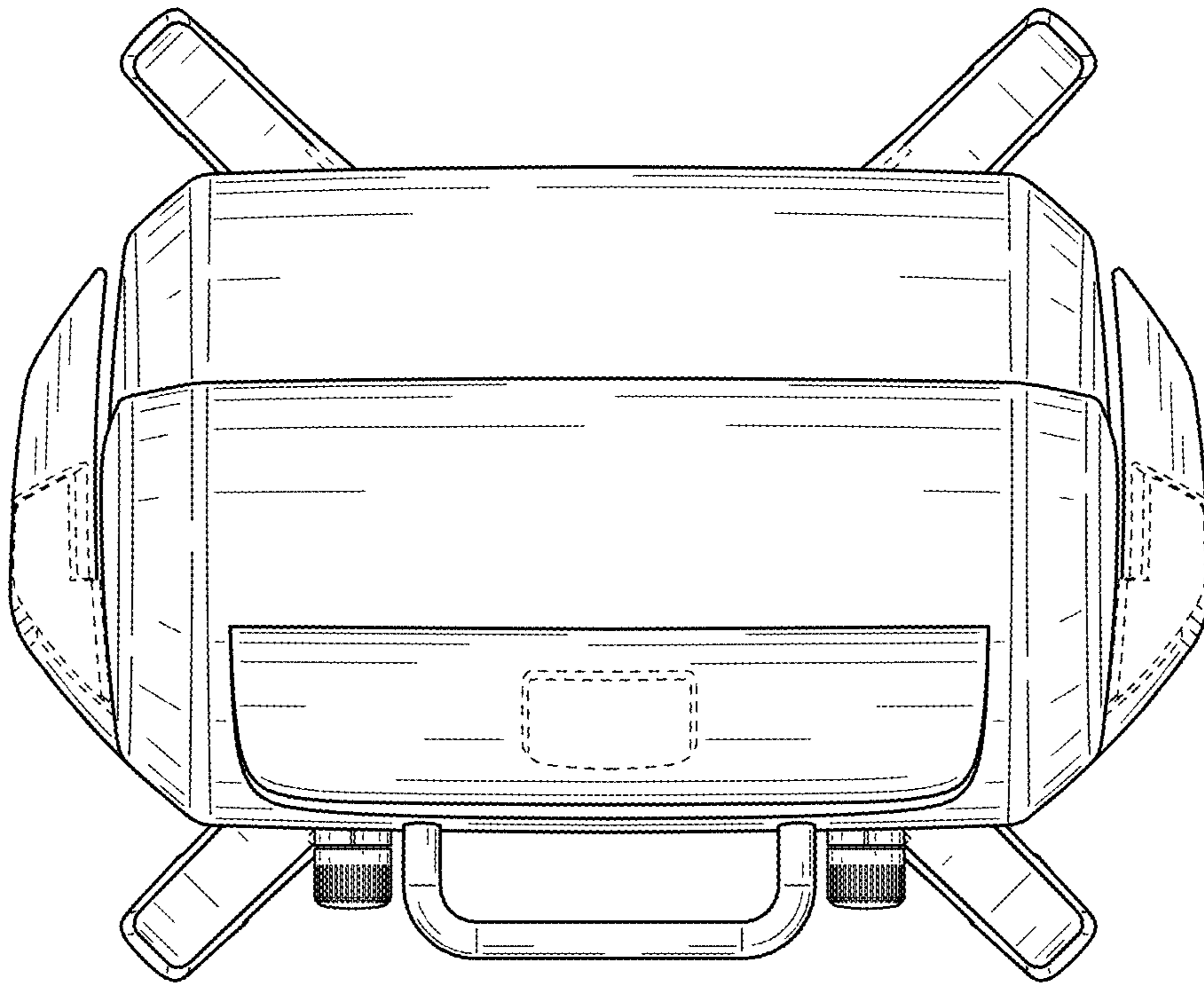


FIG. 6