



US00D779258S

(12) **United States Design Patent**
Cahen

(10) **Patent No.:** **US D779,258 S**

(45) **Date of Patent:** **** Feb. 21, 2017**

(54) **BEVERAGE DISPENSER**

(71) Applicant: **Societe des Produits Nestle S.A.,**
Vevey (CH)

(72) Inventor: **Antoine Cahen**, Lausanne (CH)

(73) Assignee: **Societe des Produits Nestle S.A.,**
Vevey (CH)

(**) Term: **15 Years**

(21) Appl. No.: **29/537,585**

(22) Filed: **Aug. 27, 2015**

(30) **Foreign Application Priority Data**

Mar. 31, 2015 (CH) 141343

(51) **LOC (10) Cl.** **07-01**

(52) **U.S. Cl.**
USPC **D7/306; D7/311**

(58) **Field of Classification Search**
USPC D7/306-311, 305, 300, 397, 398, 399,
D7/400; 99/279, 284, 290, 280, 299, 307,
99/297, 295, 323, 275, 281, 300, 302 R,
99/282, 288; 426/433; D20/4, 5, 1
CPC .. A47J 31/44; A47J 31/00; A47J 31/46; A47J
31/10; A47J 31/56; A47J 31/42; A47J
431/4482; A47J 27/2105; A47J 31/4403;
A47J 31/32; A47J 31/4457; A47J 31/52;
A47J 31/0573; A47J 31/545; A47J
31/4467; B65D 81/3266

See application file for complete search history.

(56) **References Cited**

U.S. PATENT DOCUMENTS

D590,652 S * 4/2009 Cesaroni D7/309
D602,303 S * 10/2009 Cahen D7/309

D644,058 S * 8/2011 Cahen D7/306
D649,392 S * 11/2011 Cahen D7/306
D666,051 S * 8/2012 de Pra D7/309
D674,233 S * 1/2013 Lavy D7/309
D718,565 S * 12/2014 Spagnolo D7/309
D721,531 S * 1/2015 Krasne D7/309
D724,369 S * 3/2015 Cahen D7/309
8,973,485 B2 * 3/2015 Krauchi A47J 31/4403
99/279
D728,986 S * 5/2015 De'Longhi D7/309
D728,987 S * 5/2015 Cahen D7/309
D730,674 S * 6/2015 De'Longhi D7/309
D760,009 S * 6/2016 Moammer D7/309

(Continued)

Primary Examiner — Marianne Pandozzi

(74) *Attorney, Agent, or Firm* — K&L Gates LLP

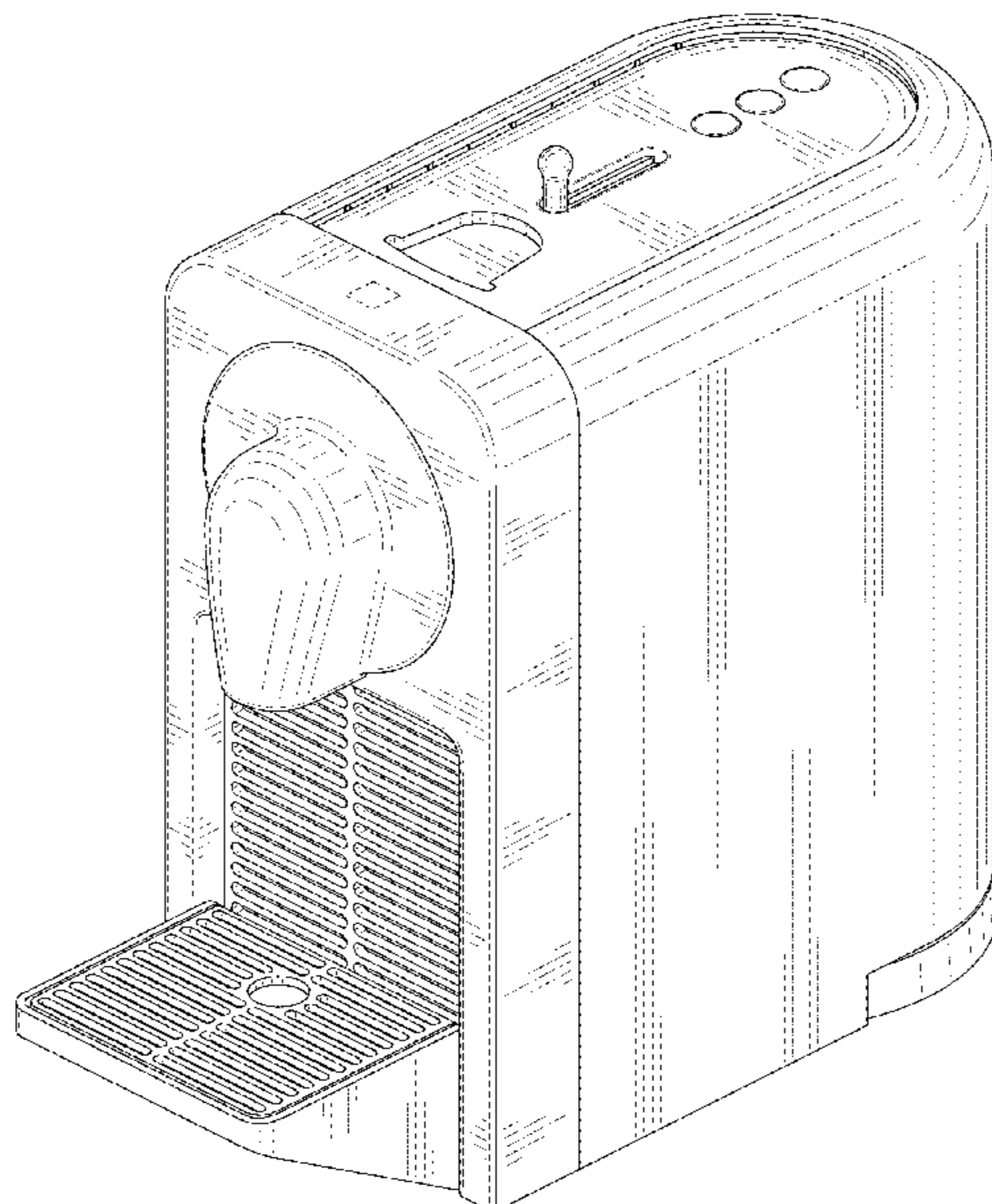
(57) **CLAIM**

The ornamental design for a beverage dispenser, as shown and described.

DESCRIPTION

FIG. 1 illustrates a front perspective view of a beverage dispenser according to the present disclosure; FIG. 2 illustrates a front side elevational view thereof; FIG. 3 illustrates a back side elevational view thereof; FIG. 4 illustrates a right side elevational view thereof; FIG. 5 illustrates a left side elevational view thereof; FIG. 6 illustrates a top plan view thereof; and, FIG. 7 illustrates a bottom plan view thereof. The broken lines in the drawing depict portions of the beverage dispenser that form no part of the claimed design.

1 Claim, 7 Drawing Sheets



(56)

References Cited

U.S. PATENT DOCUMENTS

2013/0004629 A1* 1/2013 Clark A47J 31/4467
426/231

* cited by examiner

FIG. 1

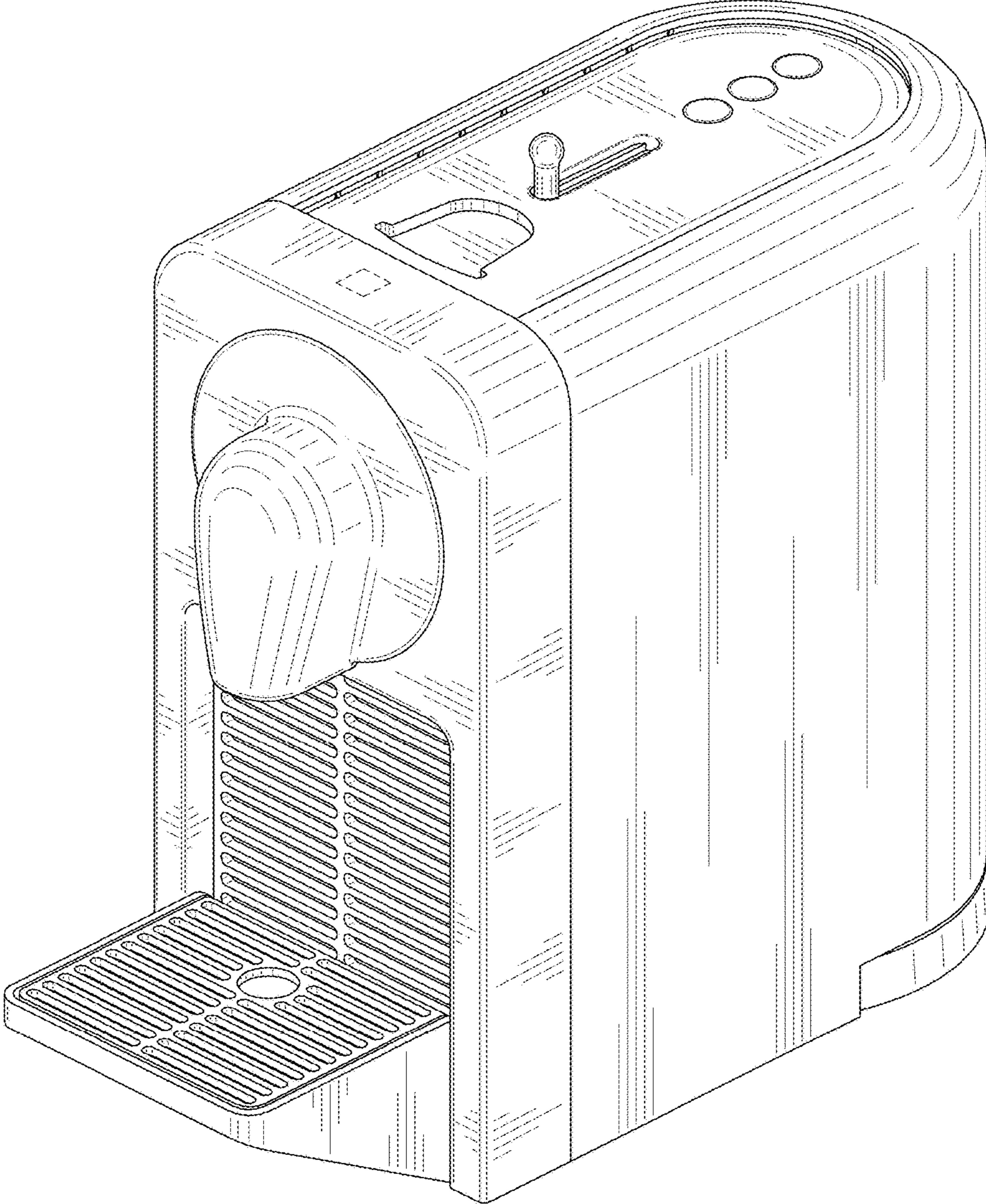


FIG. 2

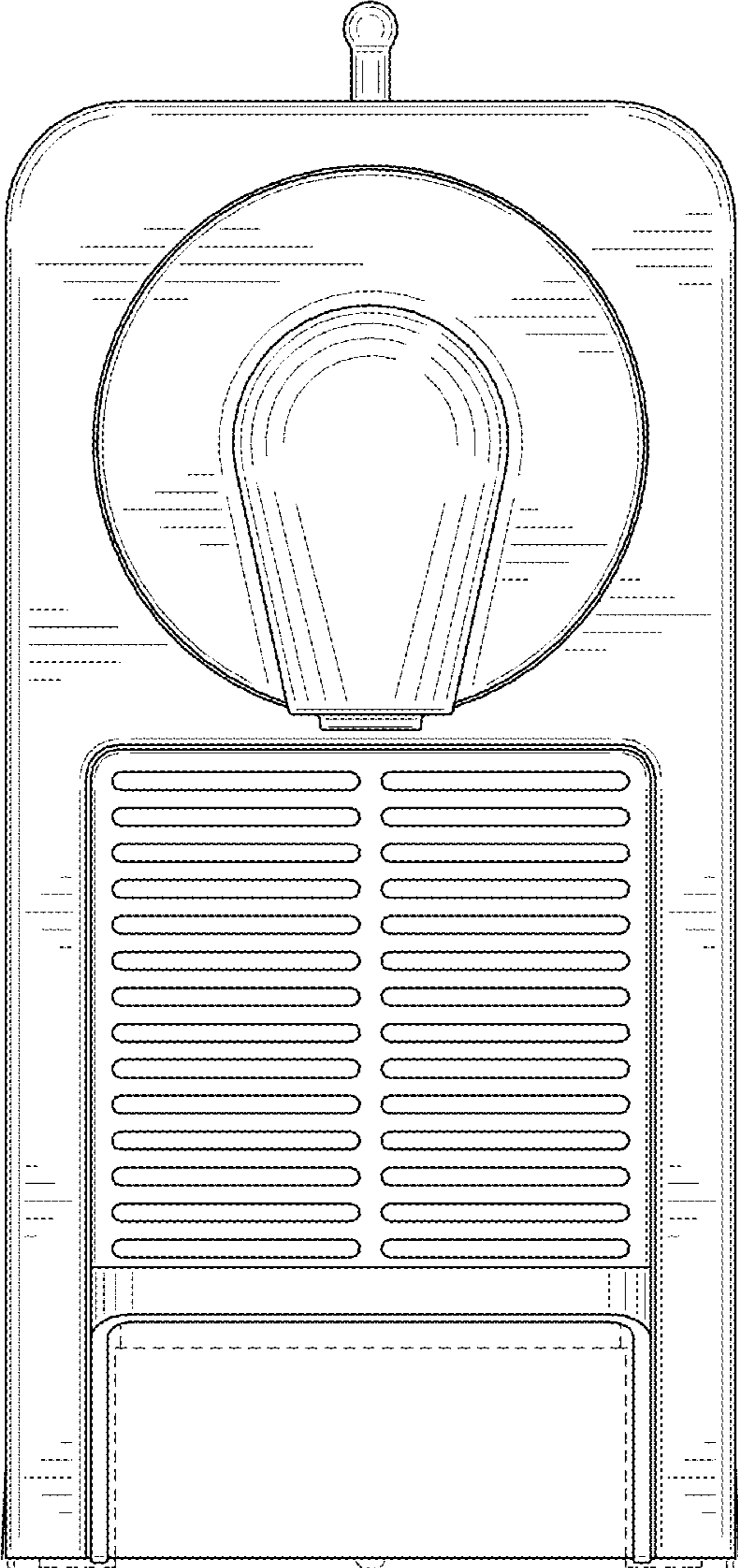


FIG. 3

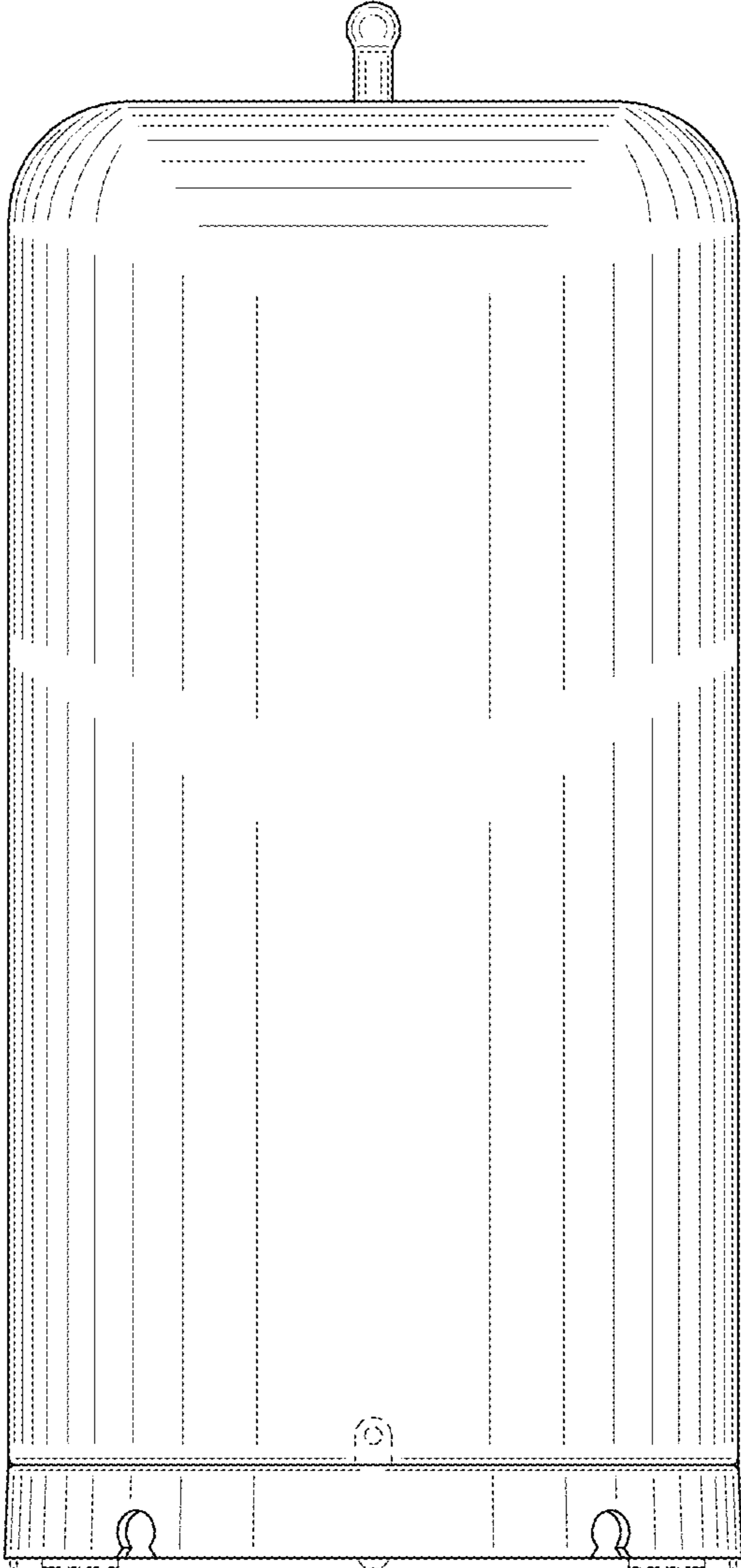


FIG. 4

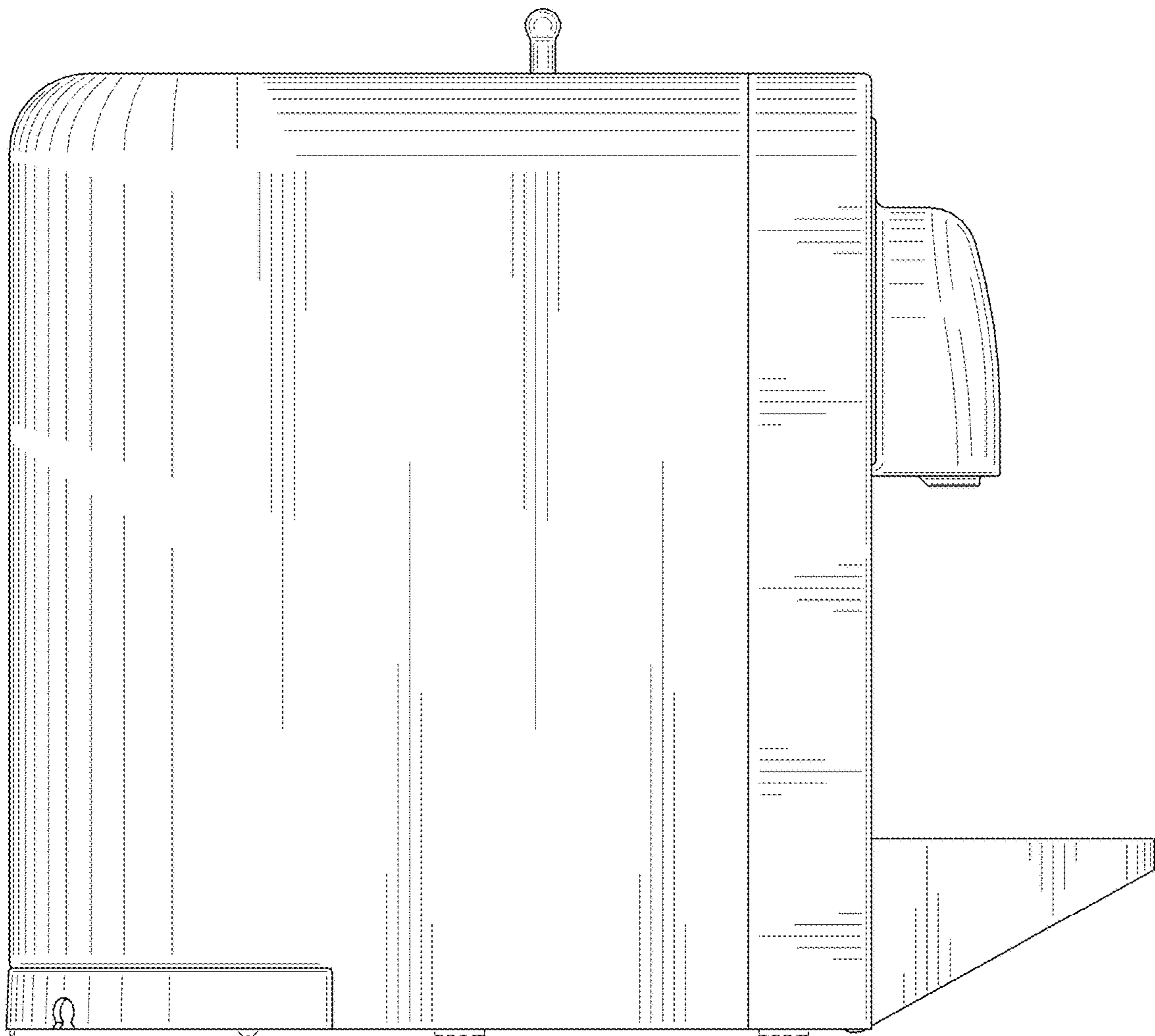


FIG. 5

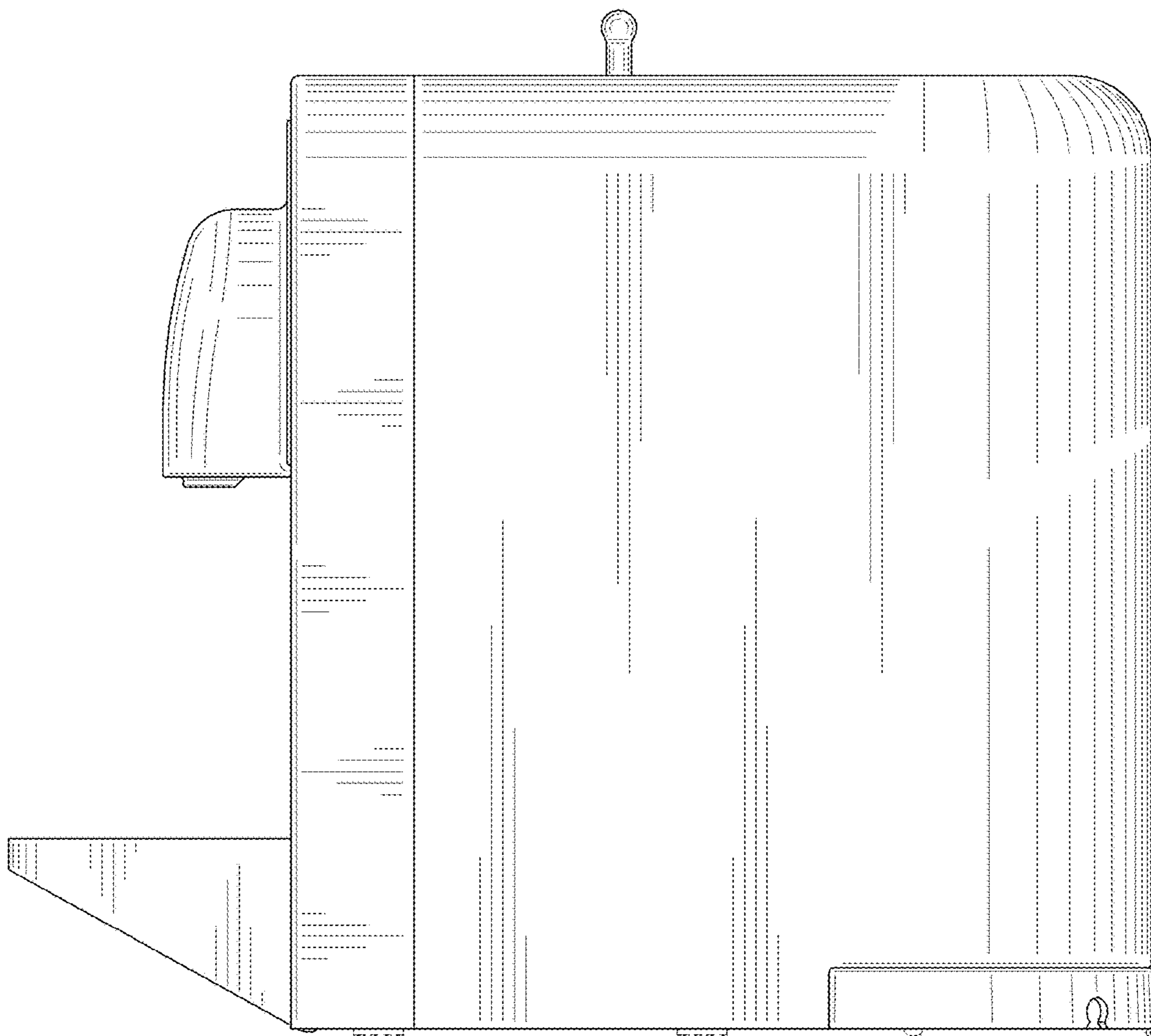


FIG. 6

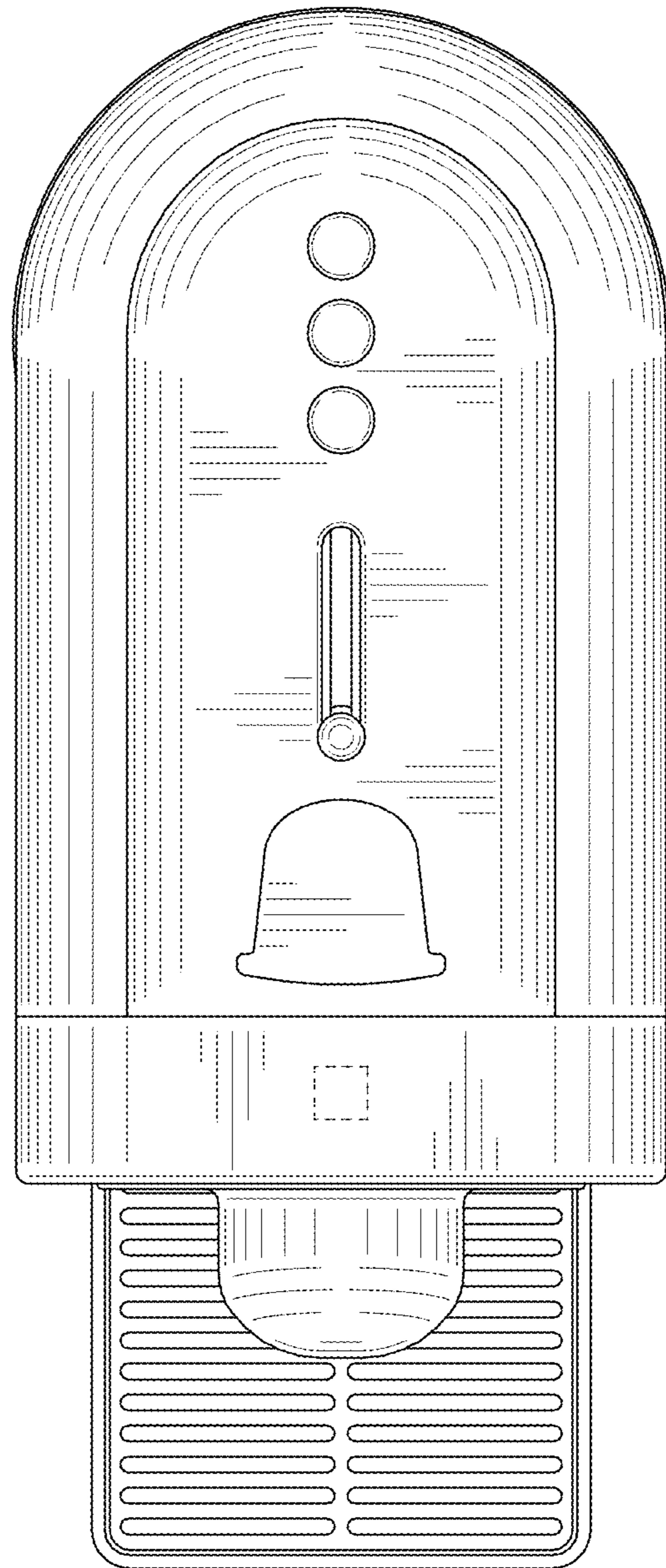


FIG. 7

