



US00D779256S

(12) **United States Design Patent** (10) **Patent No.:** **US D779,256 S**
Alvarez et al. (45) **Date of Patent:** **** Feb. 21, 2017**

(54) **ADJUSTMENT HANDLE**
(71) Applicant: **A-dec, Inc.**, Newberg, OR (US)
(72) Inventors: **Jason Alvarez**, Portland, OR (US);
Aaron Ochsner, Nehalem, OR (US)
(73) Assignee: **A-dec, Inc.**, Newberg, OR (US)
(**) Term: **14 Years**
(21) Appl. No.: **29/519,426**
(22) Filed: **Mar. 4, 2015**
(51) **LOC (10) Cl.** **06-04**
(52) **U.S. Cl.**
USPC **D6/716.7**
(58) **Field of Classification Search**
USPC D6/716.7; D12/133; 248/161; 297/217.3,
297/440.15, 344.19, 452.24, 452.26,
297/452.28, 452.32, 452.33, 452.37;
D13/167
CPC A47C 7/02
See application file for complete search history.

(56) **References Cited**

U.S. PATENT DOCUMENTS

D292,459 S * 10/1987 Doerner D12/133
D376,924 S * 12/1996 Beaulieu D6/360
D378,170 S * 2/1997 Beaulieu D6/366
D378,714 S * 4/1997 Beaulieu D6/360
D433,852 S * 11/2000 Zhou D6/716.7
D447,652 S * 9/2001 Beggs D6/716.7
6,290,296 B1 * 9/2001 Beggs A47C 3/30
248/205.3
D461,976 S * 8/2002 Koepke D6/716.7
D470,351 S * 2/2003 Patton D6/716.7
D479,927 S * 9/2003 Hobb D6/716.7
D483,582 S * 12/2003 Chen D6/716.7
D487,367 S * 3/2004 Patton D6/716.7
D528,328 S * 9/2006 Cassaday D6/716.7

D766,028 S * 9/2016 Alvarez D6/716.7
2002/0139906 A1 * 10/2002 Pan A47C 3/22
248/188.1
2004/0160102 A1 * 8/2004 Stumpf A47C 1/027
297/303.5

(Continued)

OTHER PUBLICATIONS

Plastic Beaver Tail Chair Mechanism Handle, posted on chairpartsonline.com, no posted date given, no production date given, [online], [site visited Sep. 29, 2016], Available from Internet, <URL: <http://www.chairpartsonline.com/plastic-beaver-tail-chair-mechanism-handle-free-shipping-s3825/>>.*

(Continued)

Primary Examiner — Eric Goodman
Assistant Examiner — Fritzgerald Butac
(74) *Attorney, Agent, or Firm* — Klarquist Sparkman, LLP

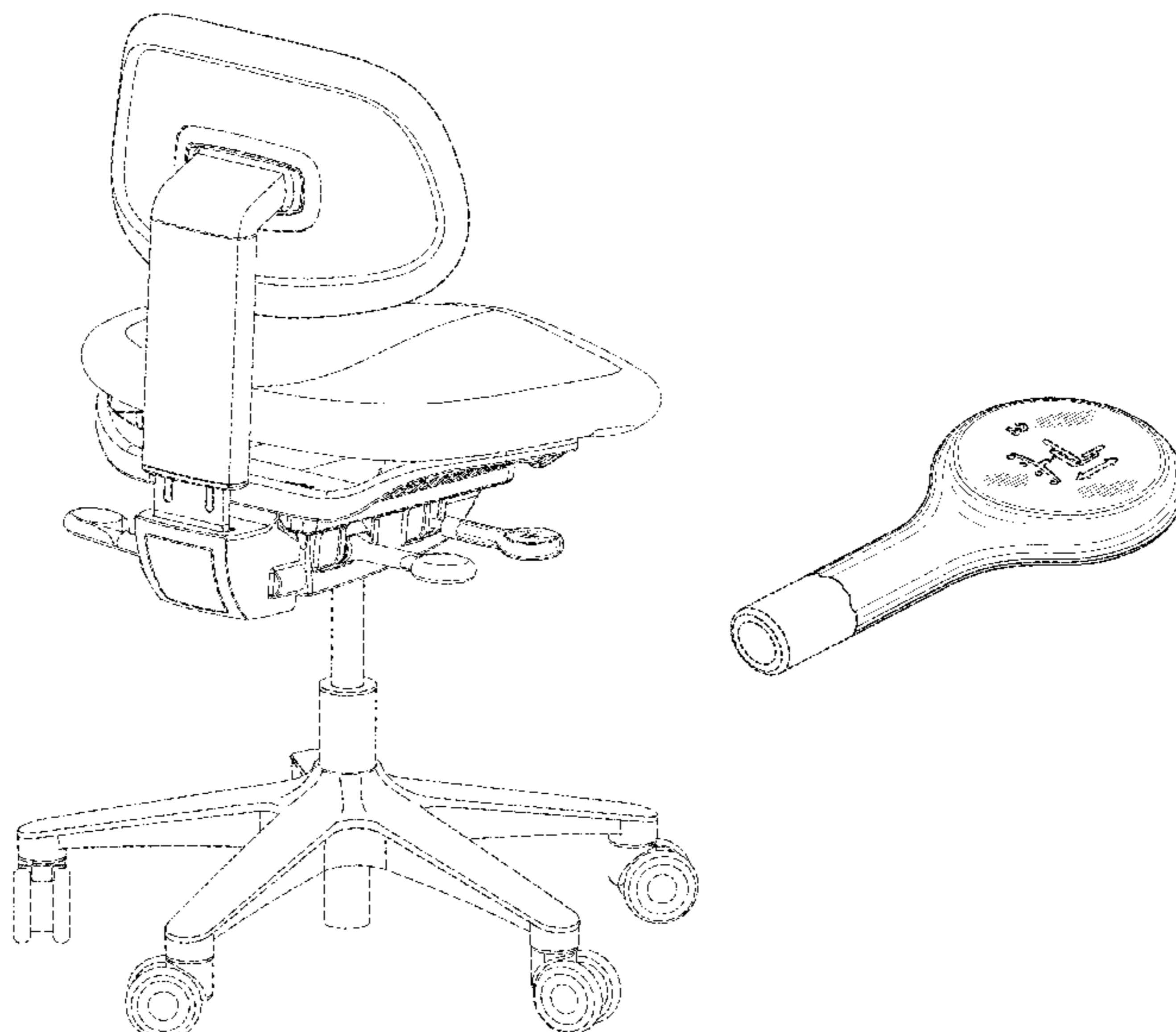
(57) **CLAIM**

We claim the ornamental design for an adjustment handle, as shown and described.

DESCRIPTION

FIG. 1 is a perspective view of an adjustment handle on a stool showing a top, a rear and a right side.
FIG. 2 is another perspective view of the adjustment handle of FIG. 1 showing the top, the rear and a left side.
FIG. 3 is a top plan view.
FIG. 4 is a rear elevation view, the front being a mirror image.
FIG. 5 is a bottom plan view.
FIG. 6 is a left side elevation view; and,
FIG. 7 is a right side elevation view.
The broken line showings of the mounting portion and the indicia of the adjustment handle form no part of the claimed design. The broken line showing of a portion of the stool illustrates the environment of the claimed design and forms no part thereof.

1 Claim, 2 Drawing Sheets



(56)

References Cited

U.S. PATENT DOCUMENTS

2005/0023871 A1* 2/2005 Cassaday A47C 7/54
297/217.3
2011/0266853 A1* 11/2011 Zhou A47C 1/0244
297/362.13

OTHER PUBLICATIONS

Plastic Oval Shaped Chair Mechanism Handle, posted on chairpartsonline.com, no posted date given, no production date given, [online], [site visited Sep. 29, 2016], Available from Internet, <URL: <http://www.chairpartsonline.com/plastic-oval-shaped-chair-mechanism-handle-free-shipping-s4358/>>.*

A-dec, Inc., Specialty Seating for Robust Support, <http://us.a-dec.com/en/~media/Adec/Document%20Library/Product%20Information/Sales%20Information/Fact%20Sheets/85607200.pdf> (downloaded Jun. 4, 2015).

Belmont Equipment, Operatory Seating, Dental Seating, 2 pages (document marked 2001).

Belmont Equipment, Operatory Seating, Model 100 and Model 101, 2 pages (document marked 2008).

Boyd Industries, Doctor Assistant Seating, <http://www.boydindustries.com/orthodontics/doctor-assistant-seating.php> (downloaded Jun. 4, 2015).

Brewer Company, Dental Seating, 8 pages (document marked Sep. 2013).

Brewer Design, DynaCore Seating System, http://brewercompany.com/wp-content/uploads/2015/01/LIT-D-008_DynaCore-Brochure.pdf (downloaded Jun. 4, 2015).

Castellini, Stool C9, <http://pdf.medicalexpo.com/pdf/castellini/stool-c9/71690-138078.html#open> (downloaded Jun. 4, 2015).

CB Dental, Andy, 1 page (document not dated).

Crown Seating, The napa line of Dental Stools, <http://nebula.wsimg.com/acd9fba7f7aa3e8a18d3c9db2cf5d13c?AccessKeyId=AA76678BD814093F0D09&disposition=0&alloworigin=1> (downloaded Jun. 4, 2015).

DentalEZ Group, ErgoSure™ Stools Manual, <http://www.dentalez.com/products/dentalez/dental-stools/ergosure-stools/63-ergosure-stools-product-literature-photographs-manuals> (downloaded Jun. 4, 2015).

Forest Dental, Doctor's Deluxe 6126C, <http://catalog.forestdental.com/chairs-stools/stools> (downloaded Jun. 4, 2015).

KaVo, Physio Evo, <http://pdf.medicalexpo.com/pdf/kavo/physio-evo/70663-126121.html> (downloaded Jun. 4, 2015).

KaVo, Physio One, <http://www.kavo.com/en/file/4702/download?token=EeWCNgzk> (downloaded on Jun. 4, 2015).

Midmark, Seating, <http://www.midmark.com/docs/default-source/marketing-collateral/007-0715-00.pdf?sfvrsn=2> (downloaded Jun. 4, 2015).

Pelton & Crane, Spirit Chairs, 5 pages (document marked May 2012).

Pelton & Crane, Stools, 1 page (document not dated).

Planmeca, Dental Stools, 2 pages (document not dated).

Royal Dental Group, A2150 Operator Stool, <http://www.royaldentalgroup.com/pdfs/A2150.pdf> (downloaded Jun. 4, 2015).

Royal Dental Group, A2160 Assistant Stool, <http://www.royaldentalgroup.com/pdfs/A2160.pdf> (downloaded Jun. 4, 2015).

Royal Dental Group, D2110 Operator Stool, <http://www.royaldentalgroup.com/pdfs/D2110.pdf> (downloaded Jun. 4, 2015).

Royal Dental Group, D2120 Assistant Stool, <http://www.royaldentalgroup.com/pdfs/D2120.pdf> (downloaded Jun. 4, 2015).

Royal Dental Group, RA24 Assistant Stool, <http://www.royaldentalgroup.com/pdfs/RA24.pdf> (downloaded Jun. 4, 2015).

Royal Dental Group, RO2 Operator Stool, <http://www.royaldentalgroup.com/pdfs/RO2.pdf> (downloaded Jun. 4, 2015).

Royal Dental Group, RO44 Operator Stool, <http://www.royaldentalgroup.com/pdfs/RO44.pdf> (downloaded Jun. 4, 2015).

Salli, Swing, http://www.salli.com/print.asp?siteid=en&id=Salli_Swing (downloaded Dec. 10, 2015).

Salli, SwingFit, http://www.salli.com/print.asp?siteid=en&id=Salli_SwingFit_2 (downloaded Dec. 10, 2014).

Sirona, Hugo—The Smart Stool for you Dental Practice, <http://www.sirona.com/ecomaxL/files/A91100-M41-B116-01-7600.pdf&download=1> (downloaded Jun. 4, 2015).

Tecnodent, Egg & Sting, <http://www.tecnodent.com/nuovo/wp-content/uploads/2014/07/Catalogo-Egg-Sting-ENG-Copia-3.pdf> (downloaded Jun. 4, 2015).

Tecnodent, Ergo Line, <http://www.tecnodent.com/nuovo/wp-content/uploads/2014/07/Catalogo-Ergo-ENG-Copia-21.pdf> (downloaded Jun. 4, 2015).

Tecnodent, Gel Line, <http://www.tecnodent.com/nuovo/wp-content/uploads/2014/07/Catalogo-Pluto-Venus-EN.pdf> (downloaded Jun. 4, 2015).

Valachi, Bethany S., "Operator Stools: How Selection and Adjustment Impact Your Health," <http://www.dentistrytoday.com/ergonomics/1109> (Aug. 31, 2005).

Vitali, Estro, 2 pages (document not dated).

* cited by examiner

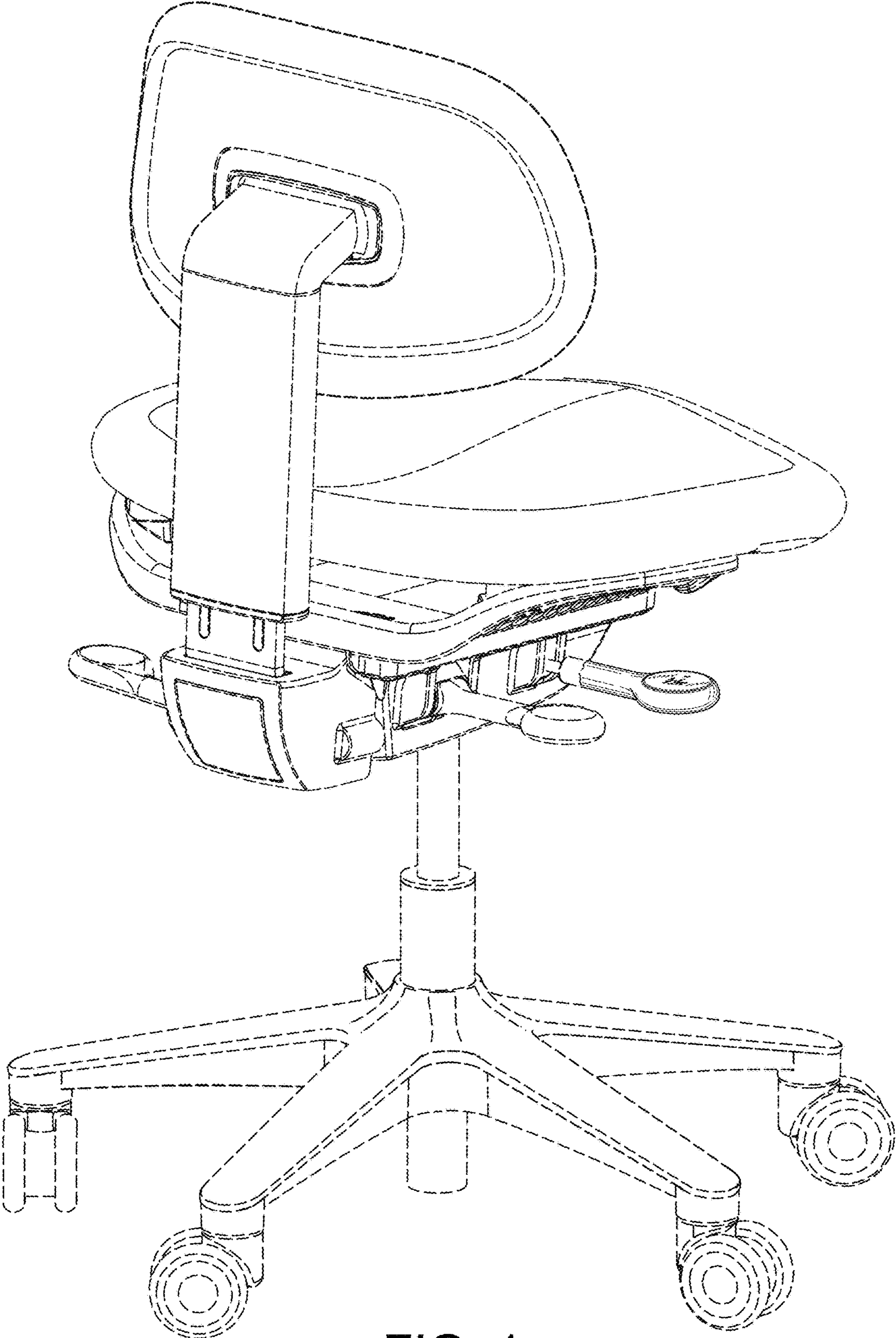


FIG. 1

