



US00D779255S

(12) **United States Design Patent** (10) **Patent No.:** **US D779,255 S**
Welsh et al. (45) **Date of Patent:** **** Feb. 21, 2017**

(54) **HEADREST FOR A CHAIR**
(71) Applicant: **Haworth, Inc.**, Holland, MI (US)
(72) Inventors: **Michael W. Welsh**, Rockford, MI (US);
Kyle R. Fleet, Byron Center, MI (US);
Nicolai Czumaj-Bront, Grand Rapids,
MI (US)

5,988,757 A 11/1999 Vishey et al.
6,572,190 B2 6/2003 Koepke et al.
D497,264 S * 10/2004 Aubriet D6/366
6,910,736 B2 6/2005 White
6,971,717 B1 12/2005 Rhodes
7,032,971 B2 4/2006 Williams
(Continued)

(73) Assignee: **Haworth, Inc.**, Holland, MI (US)
(**) Term: **15 Years**

CN 2168479 6/1994
CN 1331940 1/2002
(Continued)

(21) Appl. No.: **29/554,571**

FOREIGN PATENT DOCUMENTS

(22) Filed: **Feb. 12, 2016**
(51) **LOC (10) Cl.** **06-01**
(52) **U.S. Cl.**
USPC **D6/716.5**
(58) **Field of Classification Search**
USPC D6/334-336, 356, 364, 365, 366, 367,
D6/379, 380, 716, 716.1, 716.2, 716.3,
D6/716.4, 716.5
CPC B60N 2/48; B60N 2/4802; B60N 2/4879;
B60N 2/4838; A47C 7/38; A47C 7/383
See application file for complete search history.

OTHER PUBLICATIONS
International Search Report and Written Opinion dated Jul. 29,
2014, International Application No. PCT/US2014/028161.

Primary Examiner — Mimoso De
(74) *Attorney, Agent, or Firm* — Warner Norcross & Judd
LLP

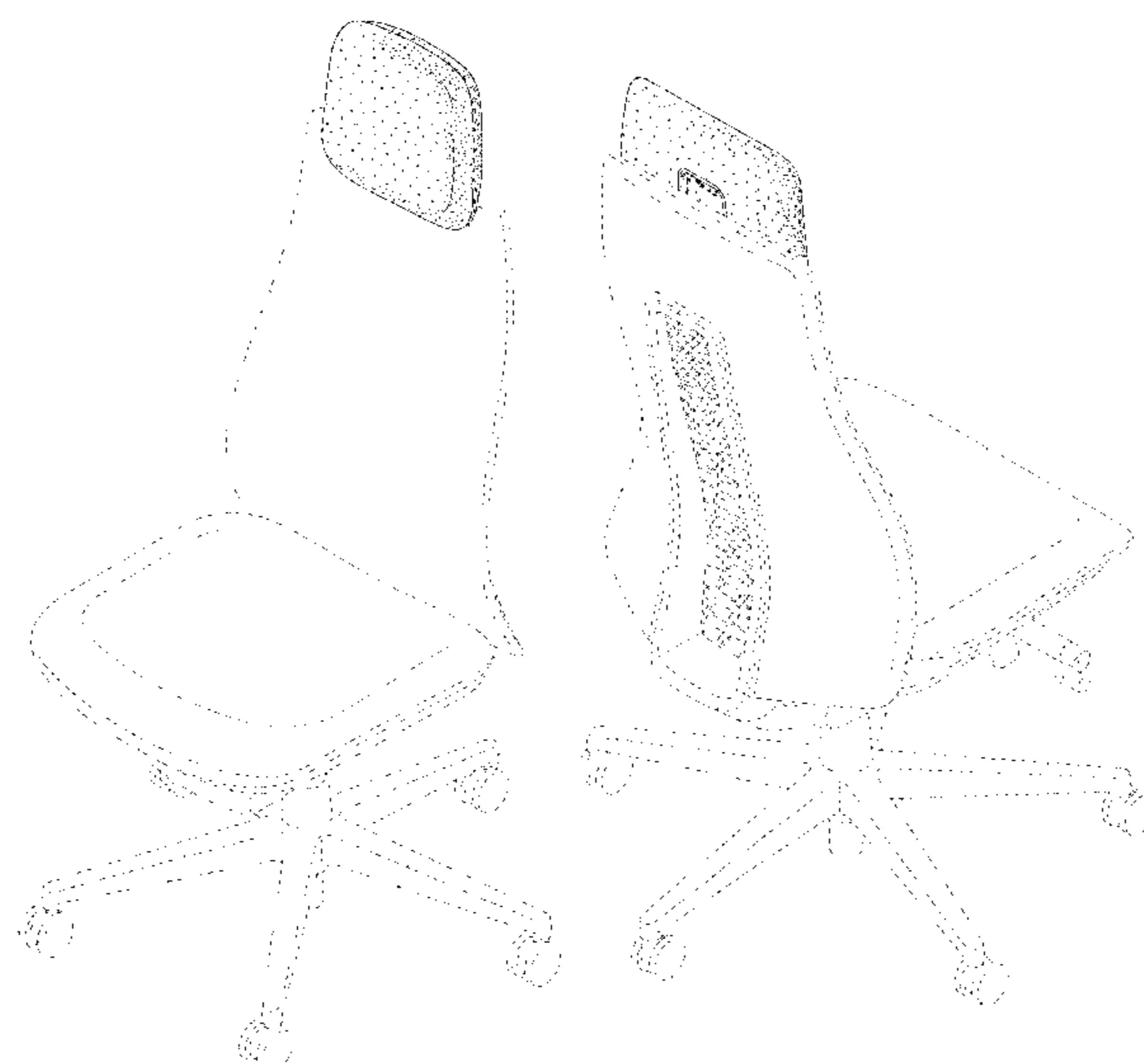
(56) **References Cited**
U.S. PATENT DOCUMENTS

(57) **CLAIM**
The ornamental design for a headrest for a chair, as shown
and described.

3,353,869 A 11/1967 Getz et al.
3,476,169 A 11/1969 Militano
4,049,315 A 9/1977 Jacobson
4,408,800 A 10/1983 Knapp
4,556,254 A 12/1985 Roberts
4,658,807 A 4/1987 Swain
4,744,603 A 5/1988 Knoblock
5,320,410 A 6/1994 Faiks et al.
5,403,067 A 4/1995 Rajaratnam
5,586,808 A 12/1996 Oelke
5,645,321 A 7/1997 Seroldi
5,826,937 A 10/1998 Massara
5,951,109 A 9/1999 Roslund et al.

DESCRIPTION
FIG. 1 is a front perspective view of the headrest for a chair
embodying the new design;
FIG. 2 is a rear perspective view thereof;
FIG. 3 is a right side view thereof;
FIG. 4 is a left side view thereof;
FIG. 5 is a front view thereof;
FIG. 6 is a rear view thereof;
FIG. 7 is a top view thereof; and,
FIG. 8 is a bottom view thereof.
FIGS. 1-8 show portions of a chair in broken lines. The
portions shown in broken lines are for environmental pur-
poses only and form no part of the claimed design.

1 Claim, 7 Drawing Sheets



(56)

References Cited

U.S. PATENT DOCUMENTS

D550,976 S * 9/2007 Bellini D6/366
 7,396,438 B2 7/2008 Scobie
 D634,558 S * 3/2011 Deisig D6/366
 7,909,402 B2 3/2011 Chu et al.
 D653,467 S * 2/2012 Ballendat D6/366
 D695,538 S * 12/2013 Geelen D6/366
 8,622,472 B2 1/2014 Rajaratnam
 D698,590 S * 2/2014 Nakamura D6/366
 D735,483 S * 8/2015 Wu D6/366
 D736,532 S * 8/2015 Ballendat D6/366
 D760,526 S * 7/2016 Smith D6/716.5
 2001/0008955 A1 7/2001 Garth
 2002/0130540 A1 9/2002 Rajasingham
 2004/0007910 A1 1/2004 Skelly
 2004/0104610 A1 6/2004 Jaskot et al.
 2004/0256899 A1 12/2004 Moore et al.
 2006/0103214 A1 5/2006 Andersson et al.
 2006/0181126 A1 8/2006 Eysing
 2006/0255635 A1 11/2006 Iijima et al.
 2007/0102987 A1 5/2007 Chen
 2009/0102268 A1 4/2009 Schmitz et al.
 2009/0261644 A1 10/2009 Piretti
 2010/0187882 A1 7/2010 Chen
 2012/0061988 A1 3/2012 Jaranson et al.

2012/0299350 A1 11/2012 Willingham
 2013/0221724 A1 8/2013 Fowler
 2014/0062154 A1 3/2014 Minino et al.
 2014/0117738 A1 5/2014 Takahashi et al.
 2014/0183914 A1 7/2014 Cvek

FOREIGN PATENT DOCUMENTS

CN	1470420	1/2004
CN	1564666	1/2005
CN	1575142	2/2005
CN	101715310	5/2010
DE	102007002284	7/2008
DE	102008009509	8/2009
DE	102011100708	11/2012
EP	1232703	8/2002
EP	1693248	8/2006
EP	1785070	5/2007
EP	1911374	4/2008
EP	1946676	7/2008
WO	9212654	8/1992
WO	9848670	11/1998
WO	9848671	11/1998
WO	0022961	4/2000
WO	03063651	8/2003
WO	20120167940	12/2012

* cited by examiner

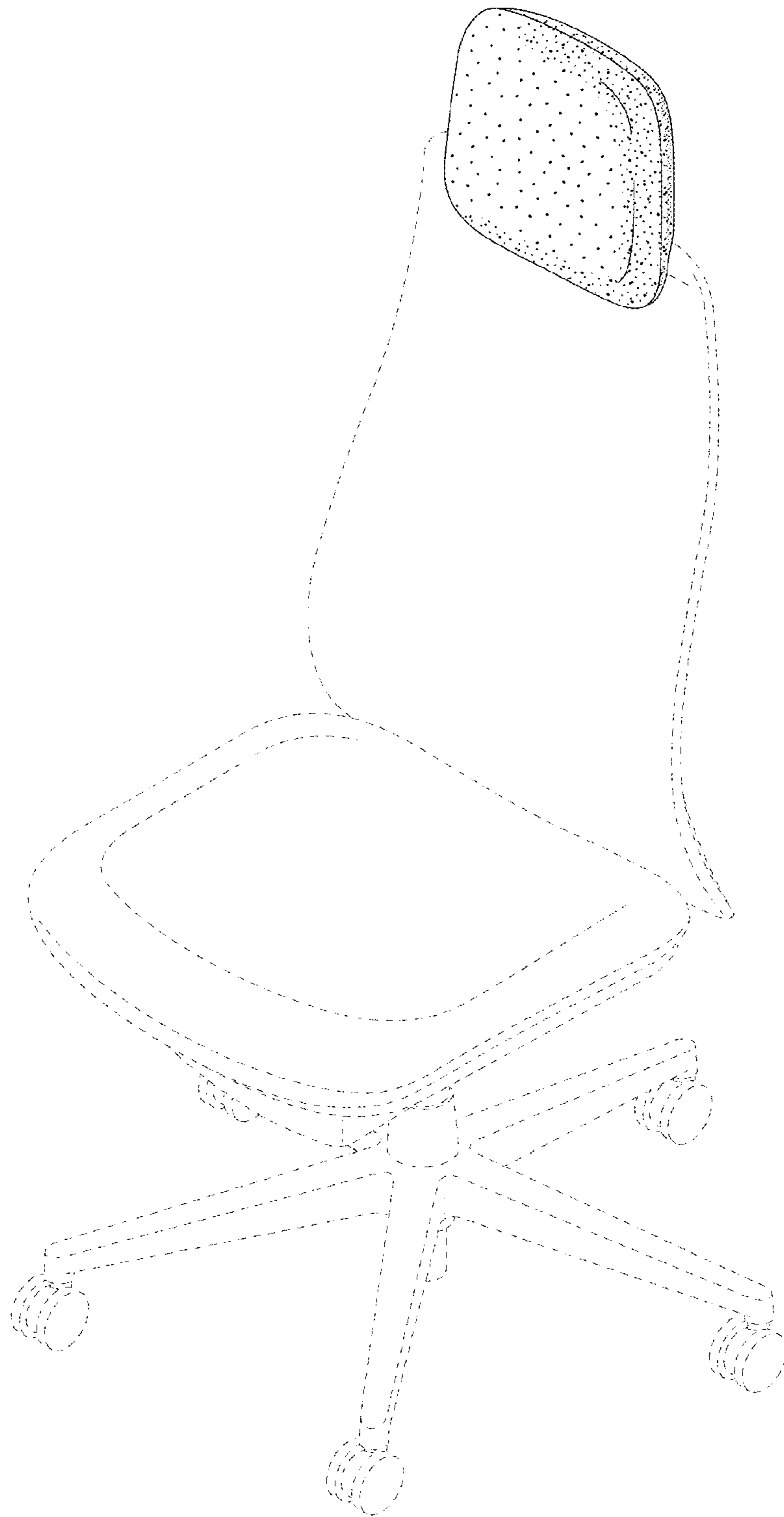


Fig. 1

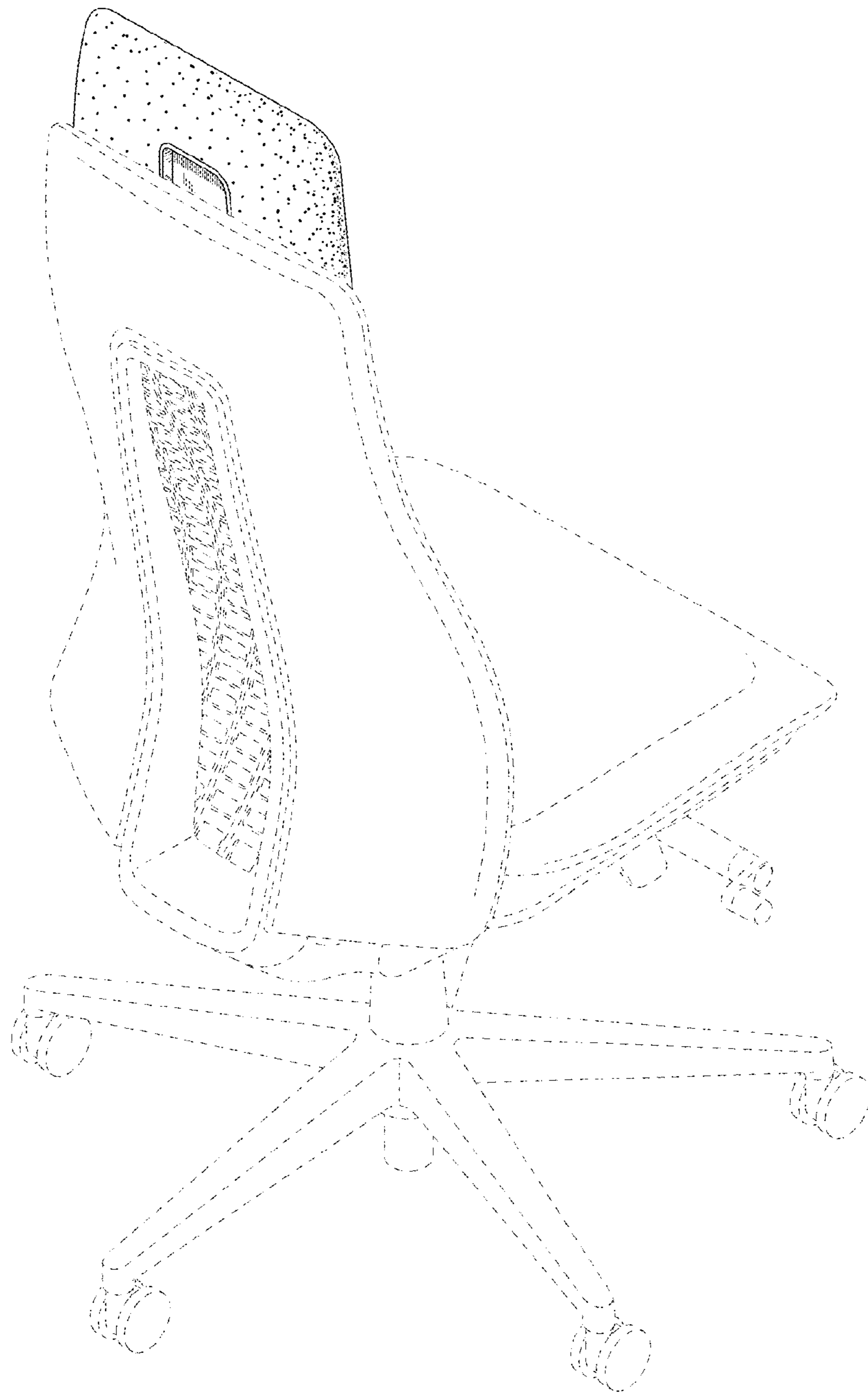


Fig. 2

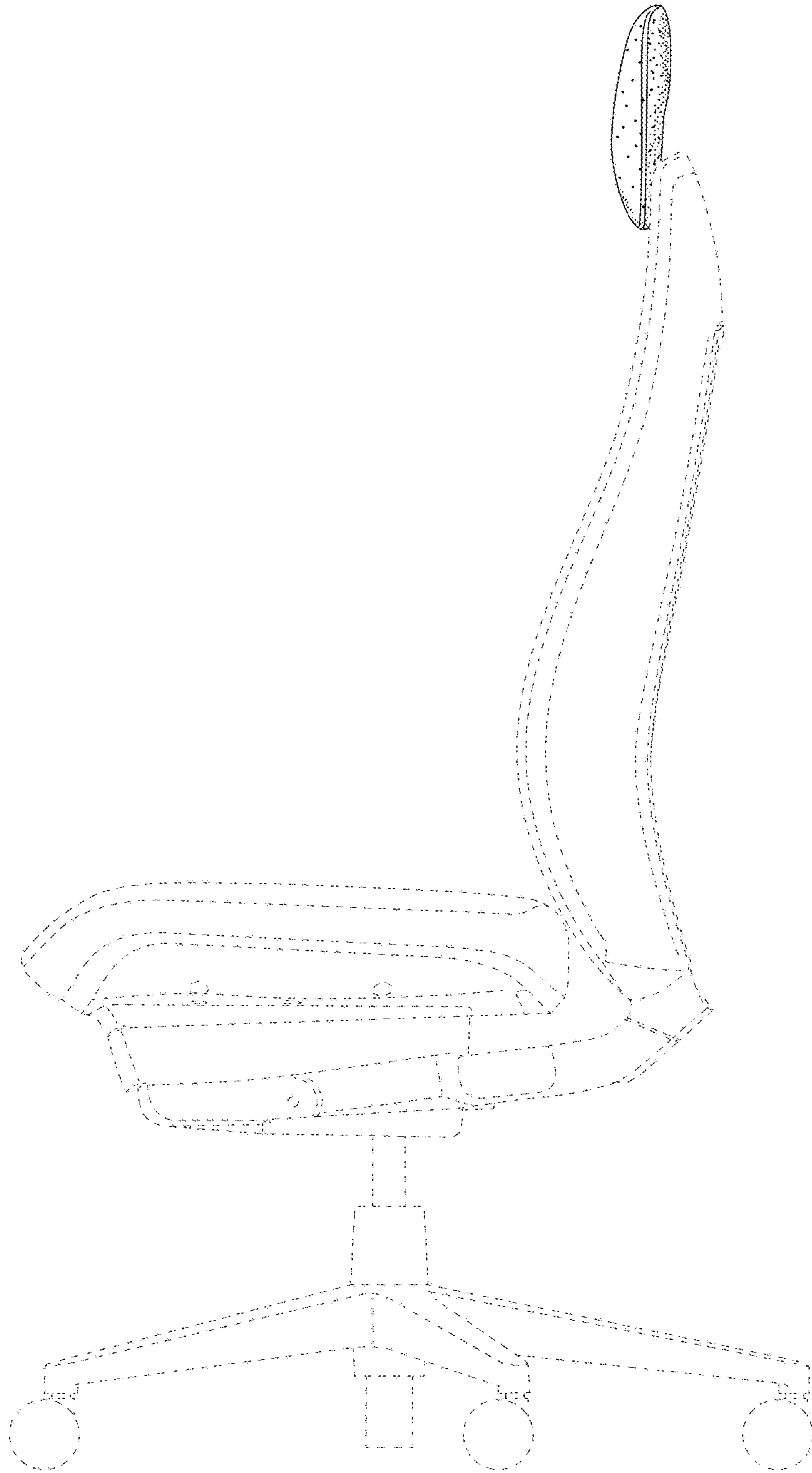


Fig. 3

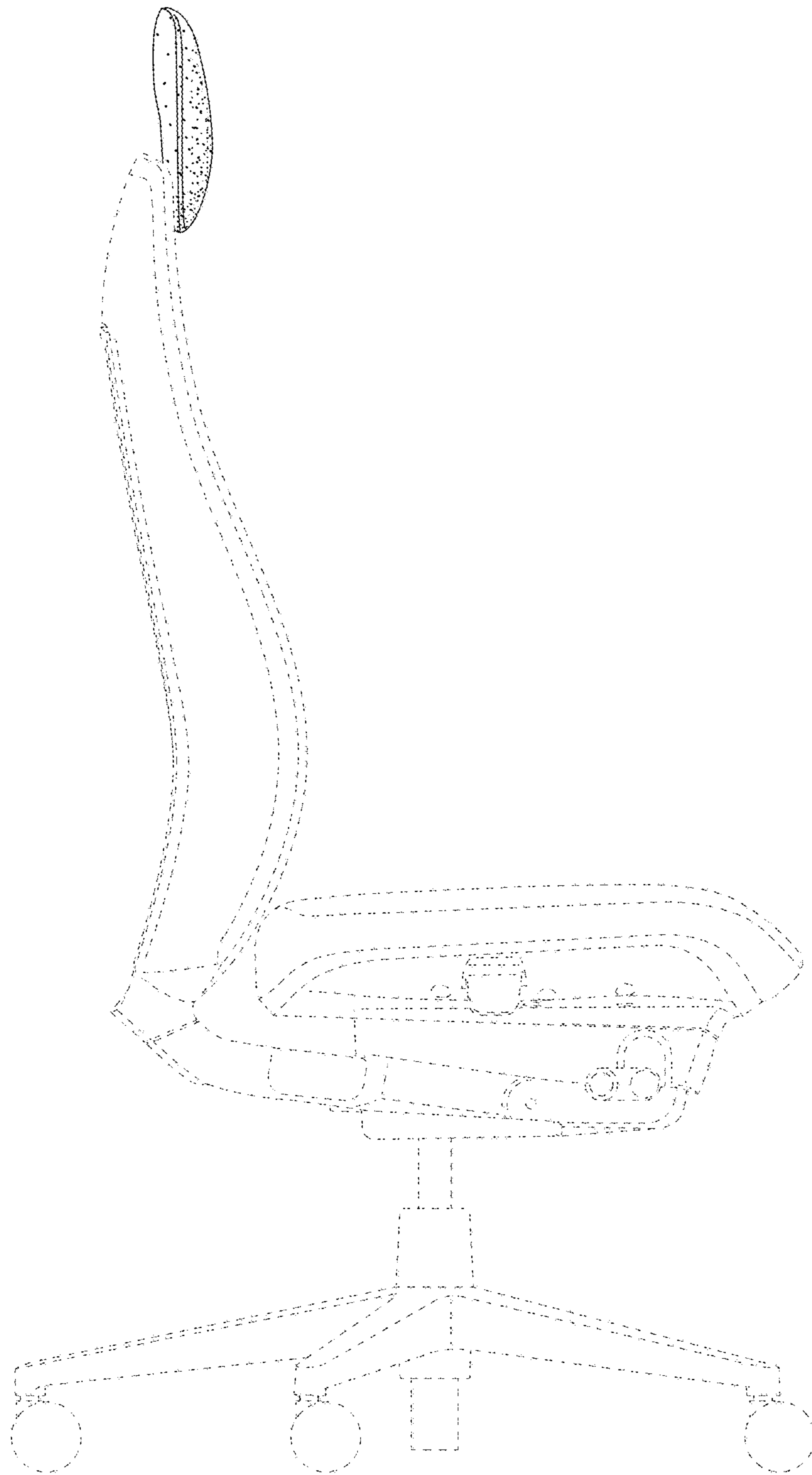


Fig. 4

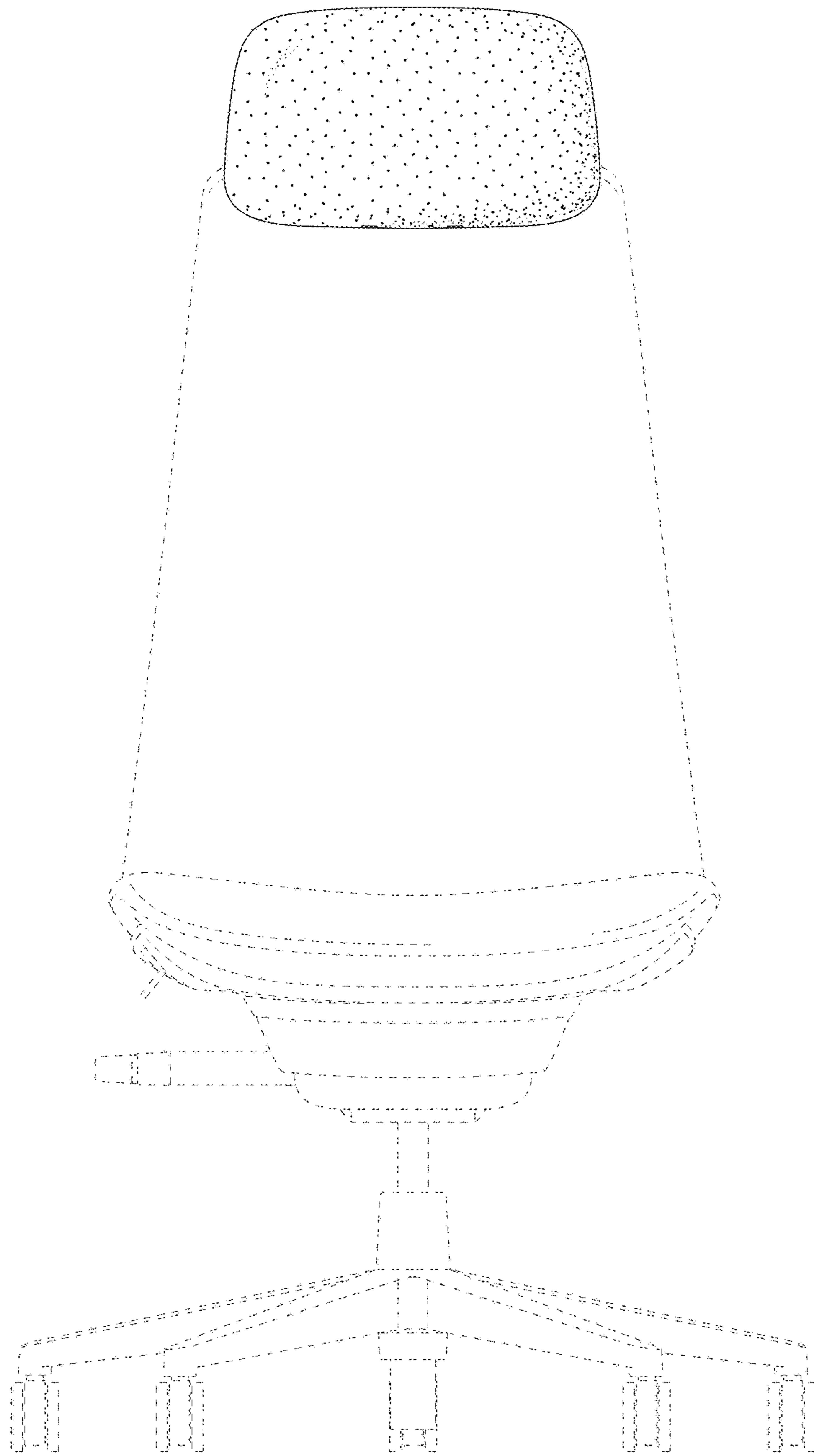


Fig. 5

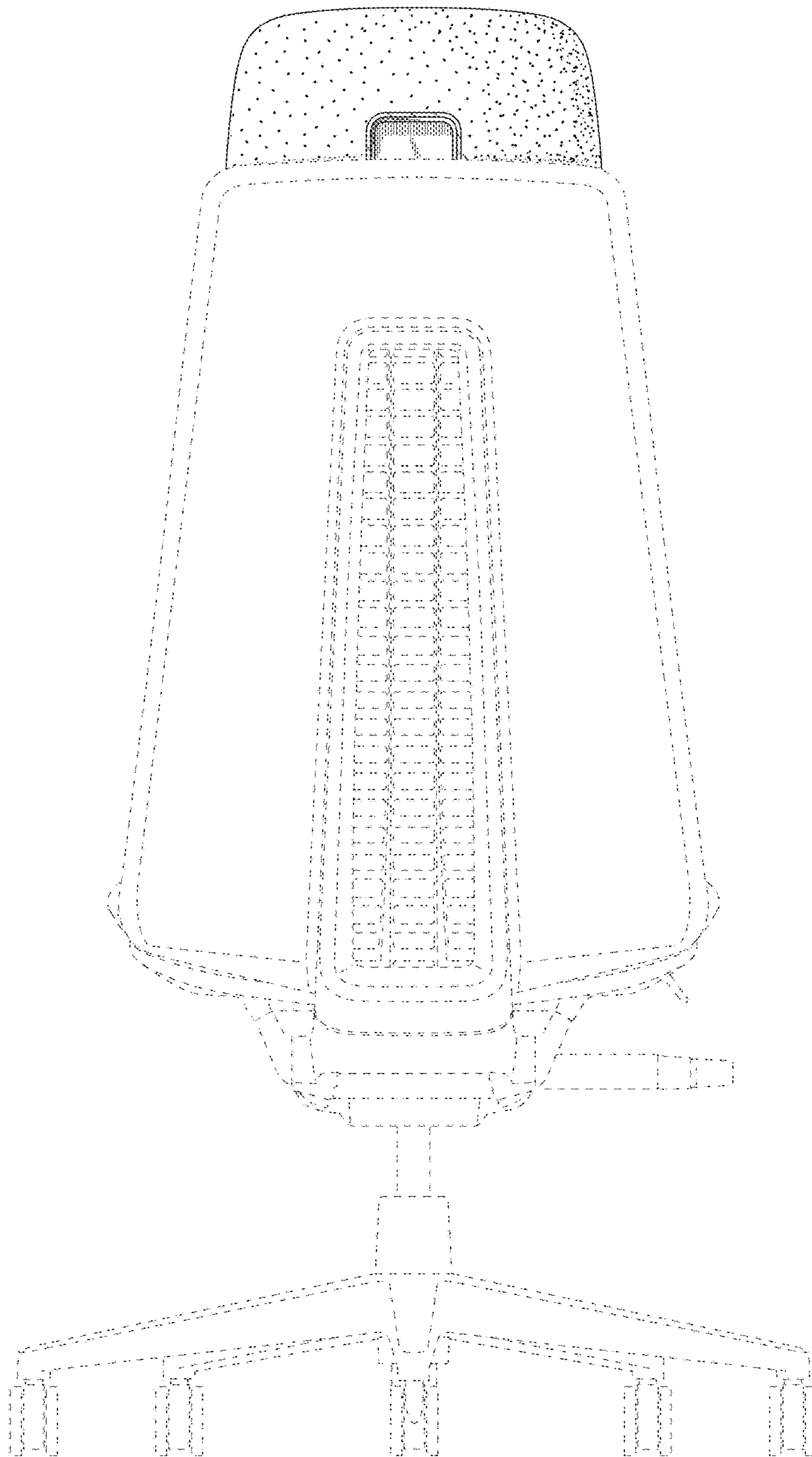


Fig. 6

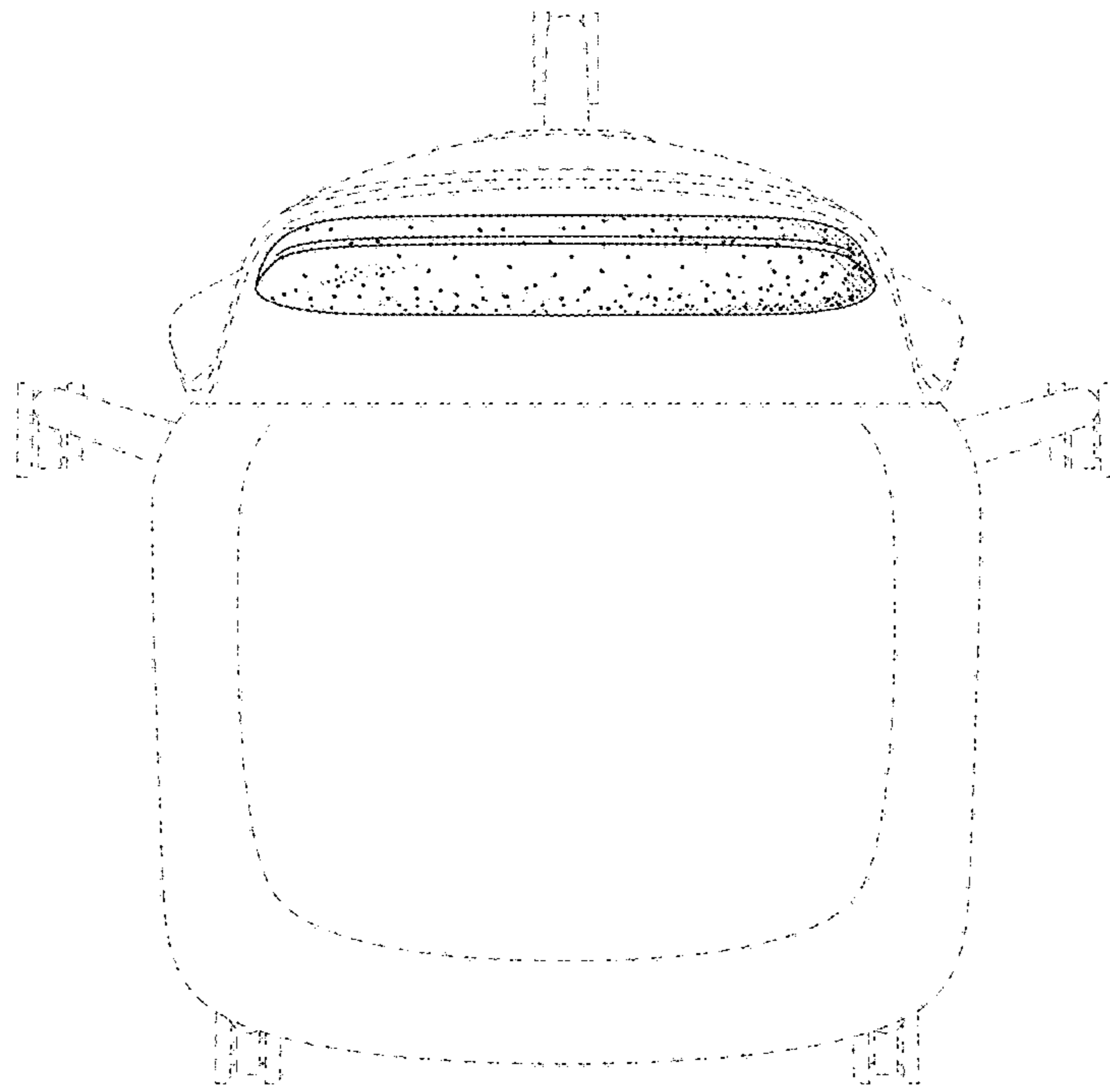


Fig. 7

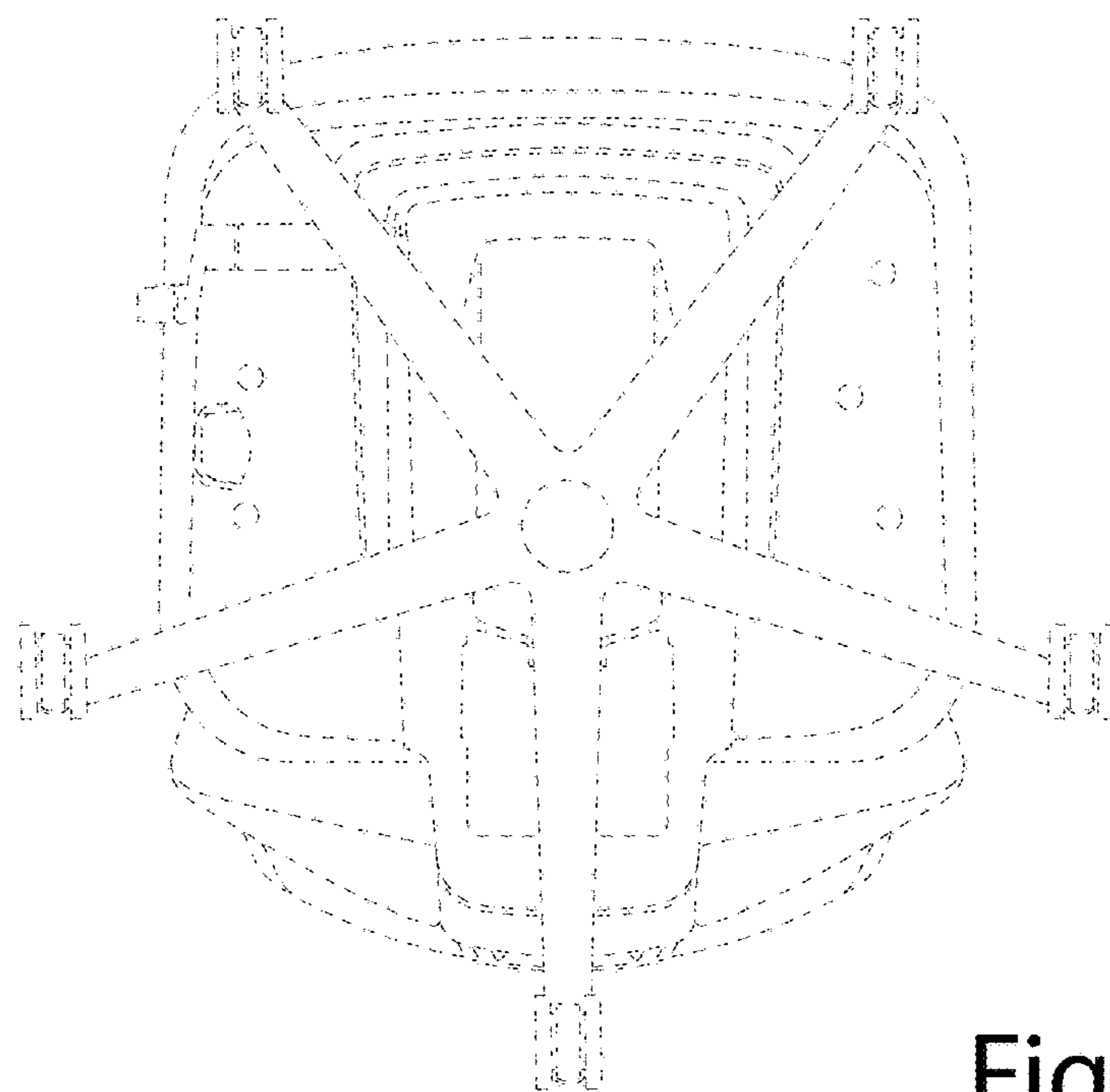


Fig. 8