



US00D779254S

(12) **United States Design Patent** (10) **Patent No.:** **US D779,254 S**
Welsh et al. (45) **Date of Patent:** **** Feb. 21, 2017**

(54) **ARMRESTS FOR A CHAIR**
(71) Applicant: **Haworth, Inc.**, Holland, MI (US)
(72) Inventors: **Michael W. Welsh**, Rockford, MI (US);
Kyle R. Fleet, Byron Center, MI (US);
Nicolai Czumaj-Bront, Grand Rapids,
MI (US)

5,951,109 A 9/1999 Roslund et al.
5,988,757 A 11/1999 Vishey et al.
6,572,190 B2 6/2003 Koepke et al.
6,910,736 B2 6/2005 White
6,971,717 B1 12/2005 Rhodes
7,032,971 B2 4/2006 Williams

(Continued)

FOREIGN PATENT DOCUMENTS

CN 2168479 6/1994
CN 1331940 1/2002

(Continued)

(73) Assignee: **Haworth, Inc.**, Holland, MI (US)

(**) Term: **15 Years**

(21) Appl. No.: **29/554,575**

(22) Filed: **Feb. 12, 2016**

(51) **LOC (10) Cl.** **06-01**

(52) **U.S. Cl.**
USPC **D6/716.4**

(58) **Field of Classification Search**
USPC D6/334-336, 366, 367, 369, 379, 380,
D6/716, 716.1, 716.2, 716.4
CPC A47C 1/03; A47C 7/452; A47C 7/54;
A47C 7/543; A47C 7/02; A47C
7/40; A47C 7/16; A47C 7/022; A47C
7/282

See application file for complete search history.

(56) **References Cited**

U.S. PATENT DOCUMENTS

3,353,869 A 11/1967 Getz et al.
3,476,169 A 11/1969 Militano
4,049,315 A 9/1977 Jacobson
4,408,800 A 10/1983 Knapp
4,556,254 A 12/1985 Roberts
4,658,807 A 4/1987 Swain
4,744,603 A 5/1988 Knoblock
5,320,410 A 6/1994 Faiks et al.
5,403,067 A 4/1995 Rajaratnam
5,586,808 A 12/1996 Oelke
5,645,321 A 7/1997 Seroldi
5,826,937 A 10/1998 Massara

OTHER PUBLICATIONS

International Search Report and Written Opinion dated Jul. 29,
2014, International Application No. PCT/US2014/028161.

Primary Examiner — Mimoso De

(74) *Attorney, Agent, or Firm* — Warner Norcross & Judd
LLP

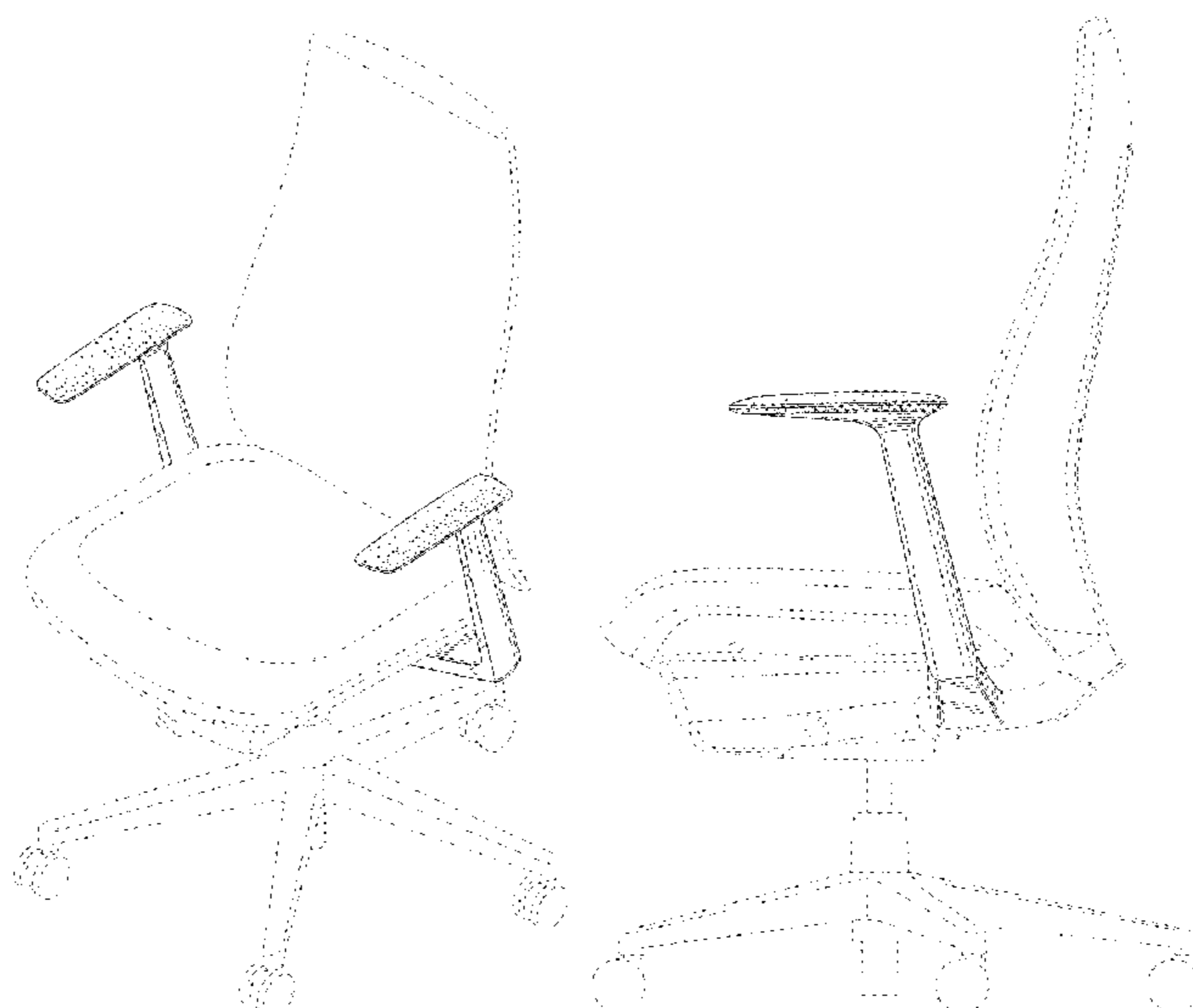
(57) **CLAIM**

The ornamental design for a armrests for a chair, as shown
and described.

DESCRIPTION

FIG. 1 is a front perspective view of the armrests for a chair
embodying the new design;
FIG. 2 is a rear perspective view thereof;
FIG. 3 is a right side view thereof;
FIG. 4 is a left side view thereof;
FIG. 5 is a front view thereof;
FIG. 6 is a rear view thereof;
FIG. 7 is a top view thereof; and,
FIG. 8 is a bottom view thereof.
FIGS. 1-8 show portions of a chair in broken lines. The
portions shown in broken lines are for environmental pur-
poses only and form no part of the claimed design.

1 Claim, 7 Drawing Sheets



(56)

References Cited

U.S. PATENT DOCUMENTS

D559,573 S * 1/2008 Igarashi D6/366
 7,396,438 B2 7/2008 Scobie
 D597,329 S * 8/2009 Tanaka D6/366
 D613,087 S * 4/2010 Fujita D6/366
 7,909,402 B2 3/2011 Chu et al.
 D661,117 S * 6/2012 Tanaka D6/366
 D662,330 S * 6/2012 Tanaka D6/366
 D665,591 S * 8/2012 Tanaka D6/366
 D670,927 S * 11/2012 Hurford D6/366
 D671,759 S * 12/2012 Hurford D6/366
 D683,151 S * 5/2013 Smith D6/366
 D694,537 S * 12/2013 Smith D6/366
 8,622,472 B2 1/2014 Rajaratnam
 D750,911 S * 3/2016 Su D6/366
 D771,989 S * 11/2016 Giugiaro D6/716.2
 2001/0008955 A1 7/2001 Garth
 2002/0130540 A1 9/2002 Rajasingham
 2004/0007910 A1 1/2004 Skelly
 2004/0104610 A1 6/2004 Jaskot et al.
 2004/0256899 A1 12/2004 Moore et al.
 2006/0103214 A1 5/2006 Andersson et al.
 2006/0181126 A1 8/2006 Eysing
 2006/0255635 A1 11/2006 Iijima et al.
 2007/0102987 A1 5/2007 Chen
 2007/0108831 A1 * 5/2007 Ueda A47C 7/02
 297/452.29
 2009/0102268 A1 4/2009 Schmitz et al.

2009/0261644 A1 10/2009 Piretti
 2010/0187882 A1 7/2010 Chen
 2012/0061988 A1 3/2012 Jaranson et al.
 2012/0299350 A1 11/2012 Willingham
 2013/0221724 A1 8/2013 Fowler
 2014/0062154 A1 3/2014 Minino et al.
 2014/0117738 A1 5/2014 Takahashi et al.
 2014/0183914 A1 7/2014 Cvek

FOREIGN PATENT DOCUMENTS

CN	1470420	1/2004
CN	1564666	1/2005
CN	1575142	2/2005
CN	101715310	5/2010
DE	102007002284	7/2008
DE	102008009509	8/2009
DE	102011100708	11/2012
EP	1232703	8/2002
EP	1693248	8/2006
EP	1785070	5/2007
EP	1911374	4/2008
EP	1946676	7/2008
WO	9212654	8/1992
WO	9848670	11/1998
WO	9848671	11/1998
WO	0022961	4/2000
WO	03063651	8/2003
WO	2012167940	12/2012

* cited by examiner

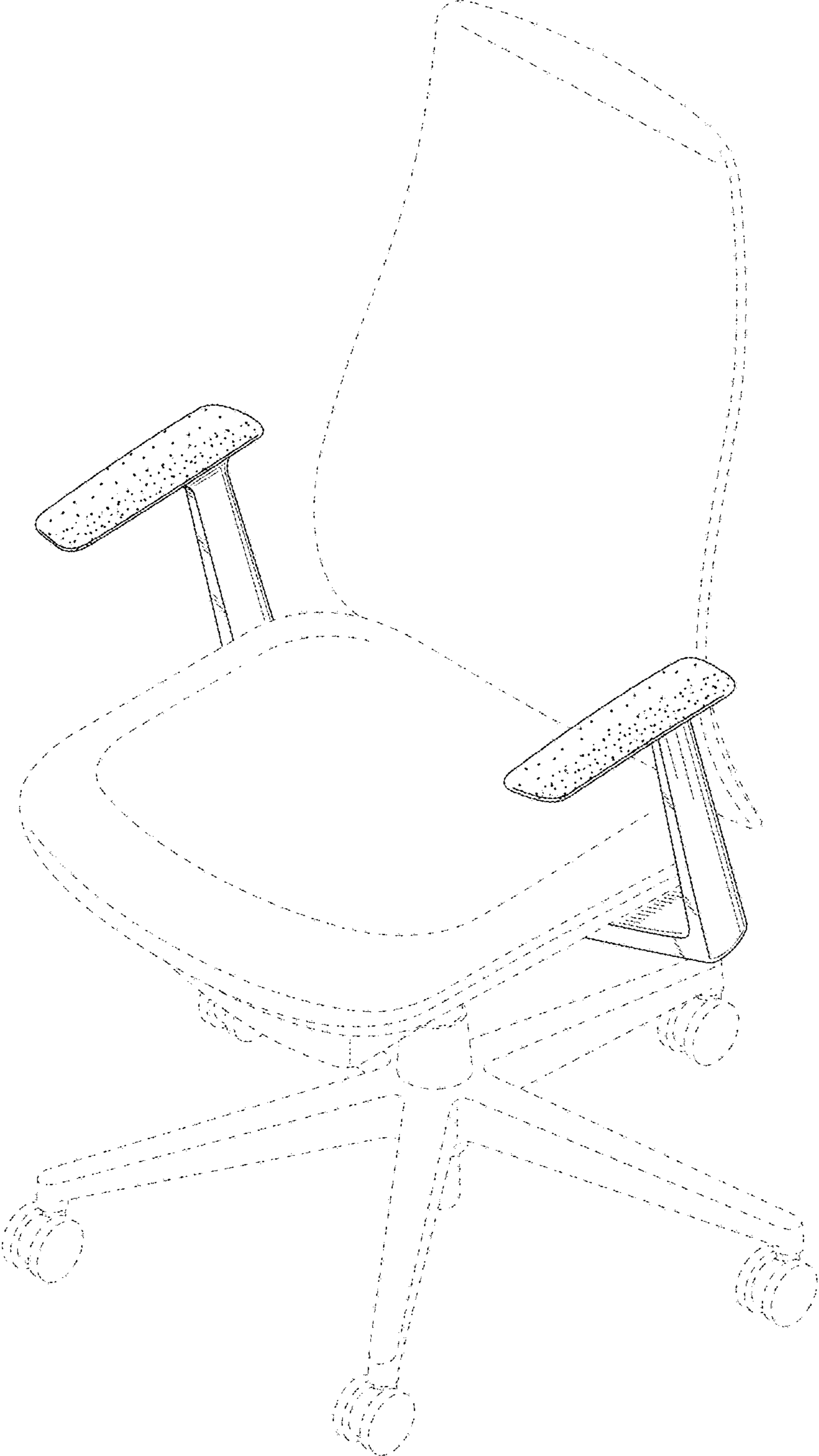


Fig. 1

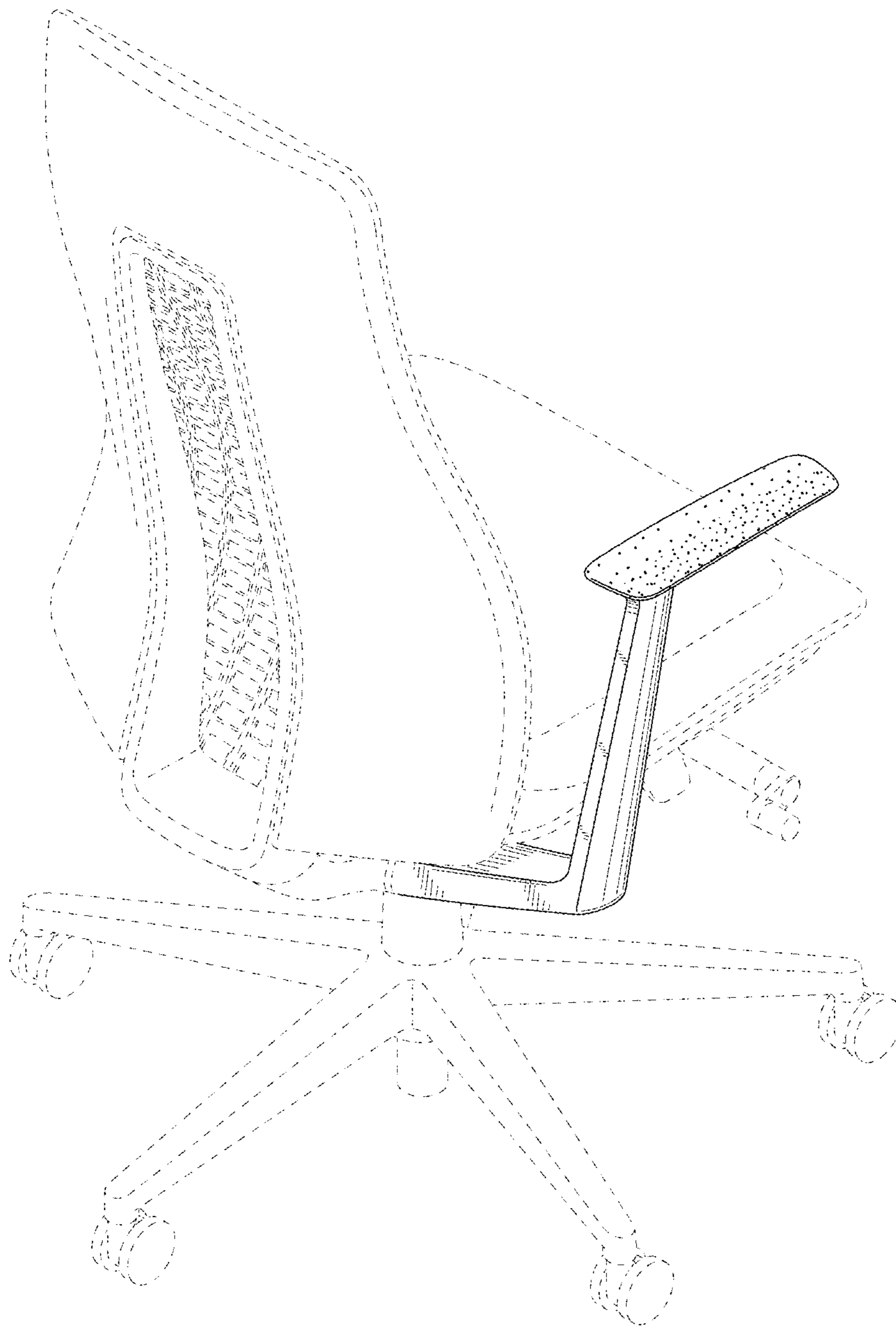


Fig. 2

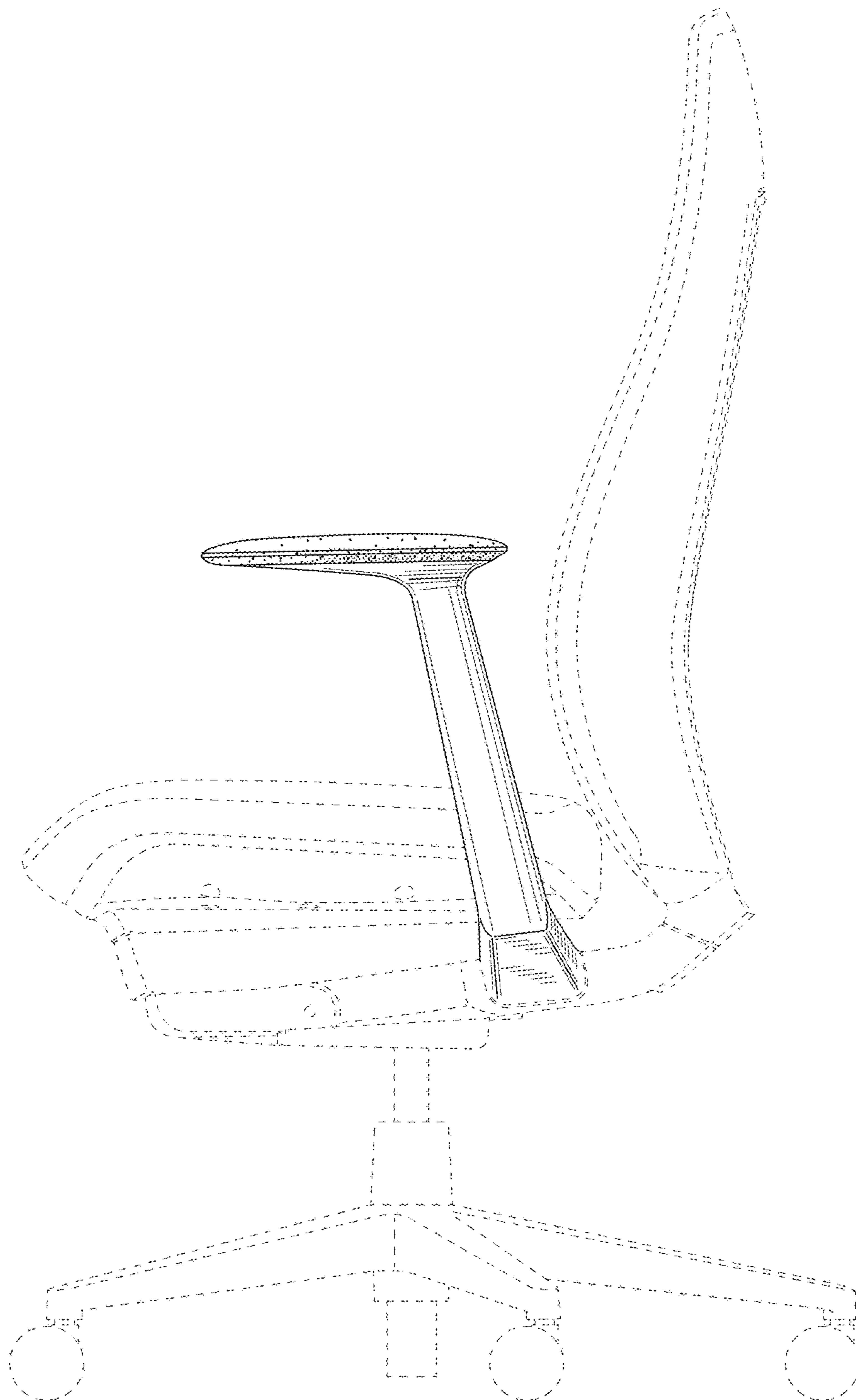


Fig. 3

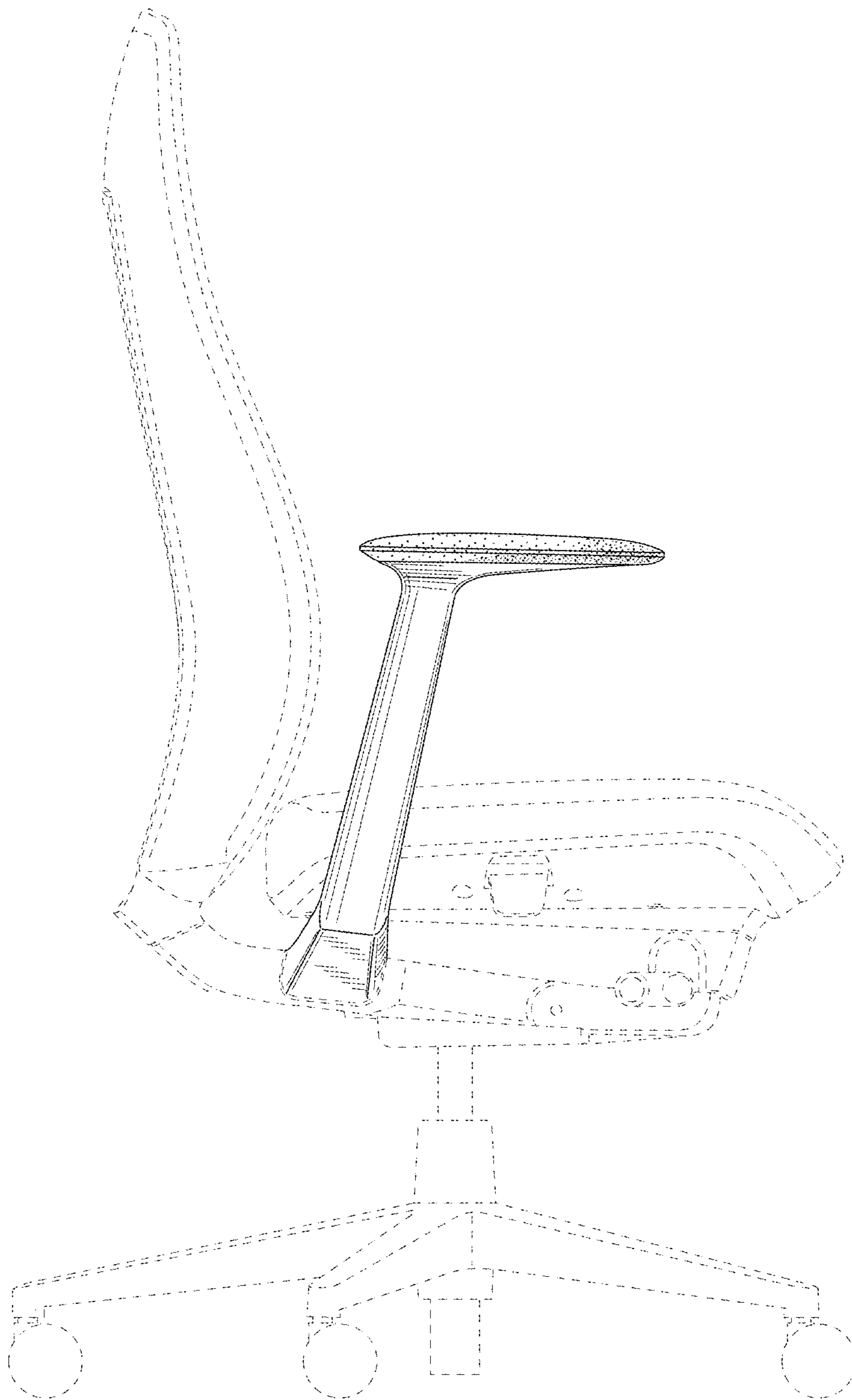


Fig. 4

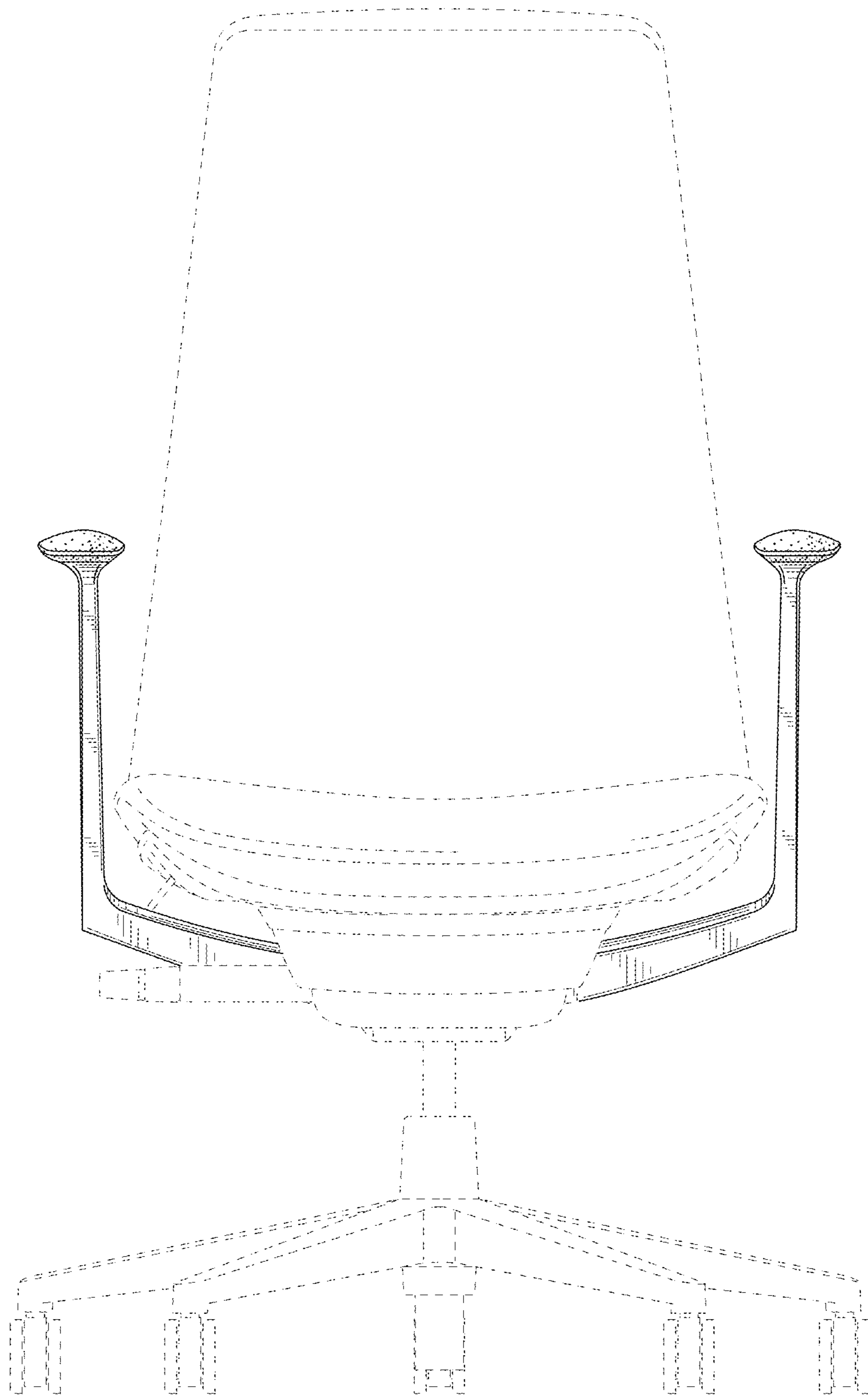


Fig. 5

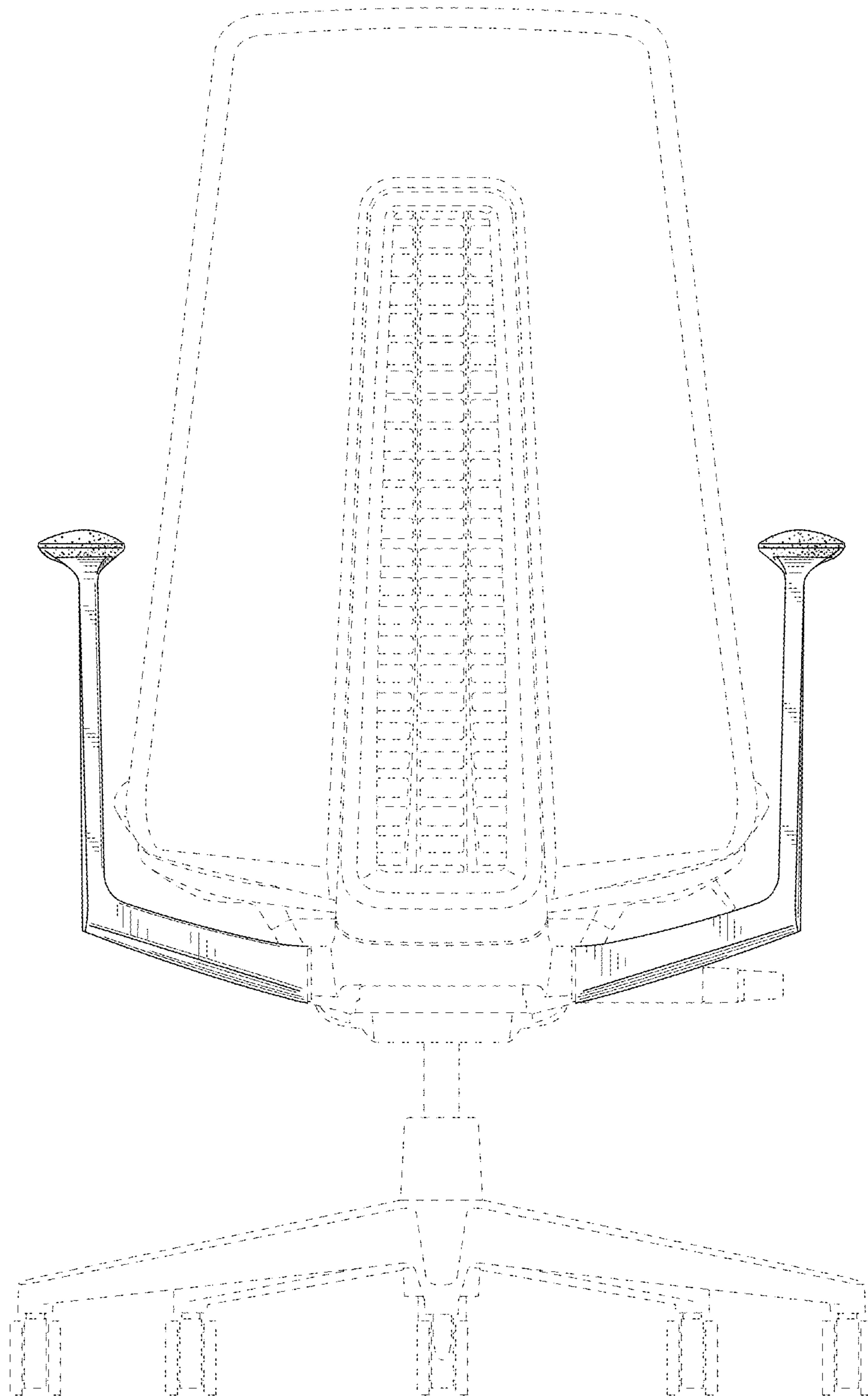


Fig. 6

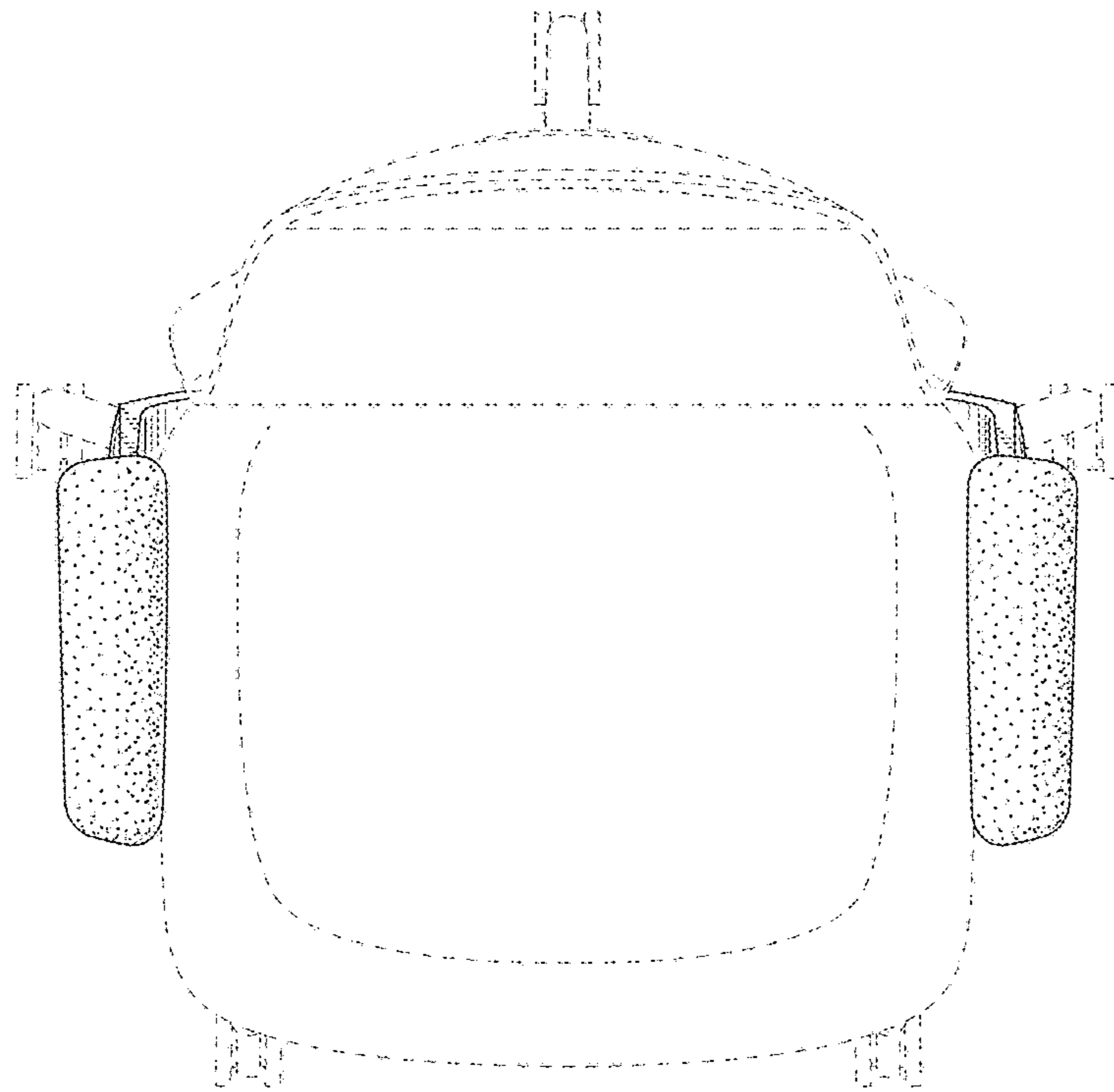


Fig. 7

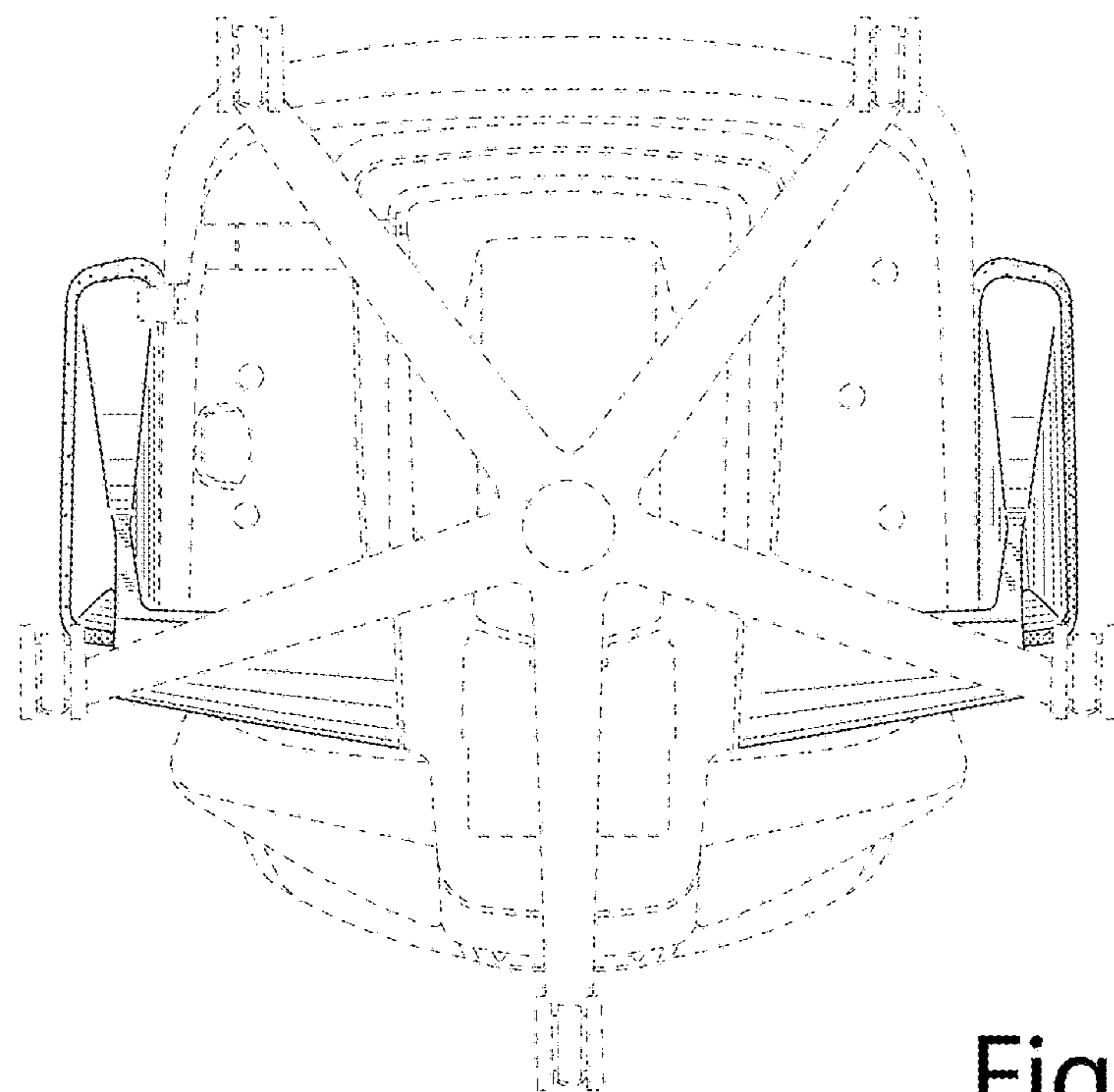


Fig. 8