



US00D779252S

(12) **United States Design Patent**
Welsh et al.

(10) **Patent No.:** **US D779,252 S**
(45) **Date of Patent:** **** Feb. 21, 2017**

- (54) **BACK SUPPORT FOR A CHAIR**
- (71) Applicant: **Haworth, Inc.**, Holland, MI (US)
- (72) Inventors: **Michael W. Welsh**, Rockford, MI (US);
Kyle R. Fleet, Byron Center, MI (US);
Nicolai Czumaj-Bront, Grand Rapids, MI (US);
Peter J. Beyer, Hamilton, MI (US);
Teresa A. Bellingar, Holland, MI (US)
- (73) Assignee: **Haworth, Inc.**, Holland, MI (US)
- (**) Term: **15 Years**
- (21) Appl. No.: **29/554,569**
- (22) Filed: **Feb. 12, 2016**
- (51) **LOC (10) Cl.** **06-01**
- (52) **U.S. Cl.**
USPC **D6/716.4**
- (58) **Field of Classification Search**
USPC D6/334-336, 364, 365, 366, 374, 379,
D6/716, 716.1, 716.2, 716.3, 716.4
CPC A47C 7/022; A47C 7/40; A47C 4/028;
A47C 7/18; A47C 7/38; A47C
7/46; B60N 2/66
See application file for complete search history.

(56) **References Cited**
U.S. PATENT DOCUMENTS

3,353,869 A	11/1967	Getz et al.
3,476,169 A	11/1969	Militano
4,049,315 A	9/1977	Jacobson
4,408,800 A	10/1983	Knapp
4,556,254 A	12/1985	Roberts
4,658,807 A	4/1987	Swain
4,744,603 A	5/1988	Knoblock
5,320,410 A	6/1994	Faiks et al.
5,403,067 A	4/1995	Rajaratnam
5,586,808 A	12/1996	Oelke
5,645,321 A	7/1997	Seroldi

5,826,937 A	10/1998	Massara
5,951,109 A	9/1999	Roslund et al.
5,988,757 A	11/1999	Vishey et al.
6,572,190 B2	6/2003	Koepke et al.
6,910,736 B2	6/2005	White

(Continued)

FOREIGN PATENT DOCUMENTS

CN	2168479	6/1994
CN	1331940	1/2002

(Continued)

OTHER PUBLICATIONS

International Search Report and Written Opinion dated Jul. 29, 2014, International Application No. PCT/US2014/028161.

Primary Examiner — Mimoso De

(74) *Attorney, Agent, or Firm* — Warner Norcross & Judd LLP

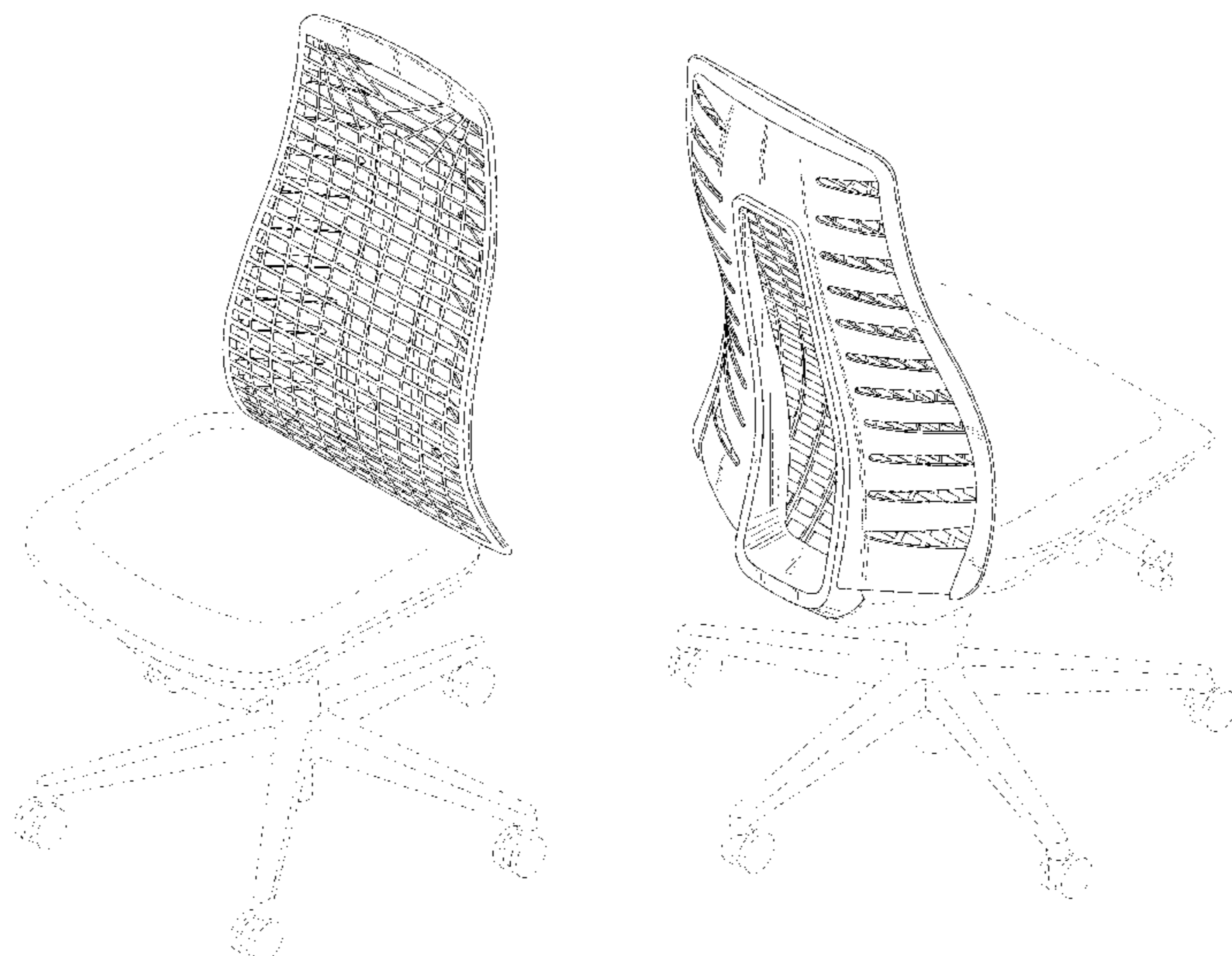
(57) **CLAIM**

The ornamental design for a back support for a chair, as shown and described.

DESCRIPTION

FIG. 1 is a front perspective view of the back support for a chair embodying the new design;
FIG. 2 is a rear perspective view thereof;
FIG. 3 is a right side view thereof;
FIG. 4 is a left side view thereof;
FIG. 5 is a front view thereof;
FIG. 6 is a rear view thereof;
FIG. 7 is a top view thereof; and,
FIG. 8 is a bottom view thereof.
FIGS. 1-8 show a seat support in broken lines. The portions shown in broken lines are for environmental purposes only and form no part of the claimed design.

1 Claim, 7 Drawing Sheets



(56)

References Cited

U.S. PATENT DOCUMENTS

6,971,717 B1 12/2005 Rhodes
 7,032,971 B2 4/2006 Williams
 D557,917 S * 12/2007 Nakamura D6/366
 7,396,438 B2 7/2008 Scobie
 D600,462 S * 9/2009 Ooki D6/366
 7,909,402 B2 3/2011 Chu et al.
 D643,641 S * 8/2011 Figueroa D6/366
 D643,642 S * 8/2011 Figueroa D6/366
 D680,345 S * 4/2013 Xingchang D6/366
 D684,783 S * 6/2013 Hsiao D6/366
 D686,440 S * 7/2013 Xingchang D6/716.4
 D686,441 S * 7/2013 Xingchang D6/366
 8,622,472 B2 1/2014 Rajaratnam
 D715,068 S * 10/2014 Chan D6/366
 D731,833 S * 6/2015 Fifield D6/716.4
 D735,513 S * 8/2015 Chan D6/716.4
 9,332,851 B2 * 5/2016 Machael A47C 7/46
 2001/0008955 A1 7/2001 Garth
 2002/0130540 A1 9/2002 Rajasingham
 2004/0007910 A1 1/2004 Skelly
 2004/0104610 A1 6/2004 Jaskot et al.
 2004/0256899 A1 12/2004 Moore et al.
 2006/0103214 A1 5/2006 Andersson et al.
 2006/0181126 A1 8/2006 Eysing
 2006/0255635 A1 11/2006 Iijima et al.
 2007/0102987 A1 5/2007 Chen
 2009/0102268 A1 4/2009 Schmitz et al.

2009/0261644 A1 10/2009 Piretti
 2010/0187882 A1 7/2010 Chen
 2012/0061988 A1 3/2012 Jaranson et al.
 2012/0299350 A1 11/2012 Willingham
 2013/0221724 A1 8/2013 Fowler
 2014/0062154 A1 3/2014 Minino et al.
 2014/0117738 A1 5/2014 Takahashi et al.
 2014/0183914 A1 7/2014 Cvek

FOREIGN PATENT DOCUMENTS

CN	1470420	1/2004
CN	1564666	1/2005
CN	1575142	2/2005
CN	101715310	5/2010
DE	102007002284	7/2008
DE	102008009509	8/2009
DE	102011100708	11/2012
EP	1232703	8/2002
EP	1693248	8/2006
EP	1785070	5/2007
EP	1911374	4/2008
EP	1946676	7/2008
WO	9212654	8/1992
WO	9848670	11/1998
WO	9848671	11/1998
WO	0022961	4/2000
WO	03063651	8/2003
WO	20120167940	12/2012

* cited by examiner

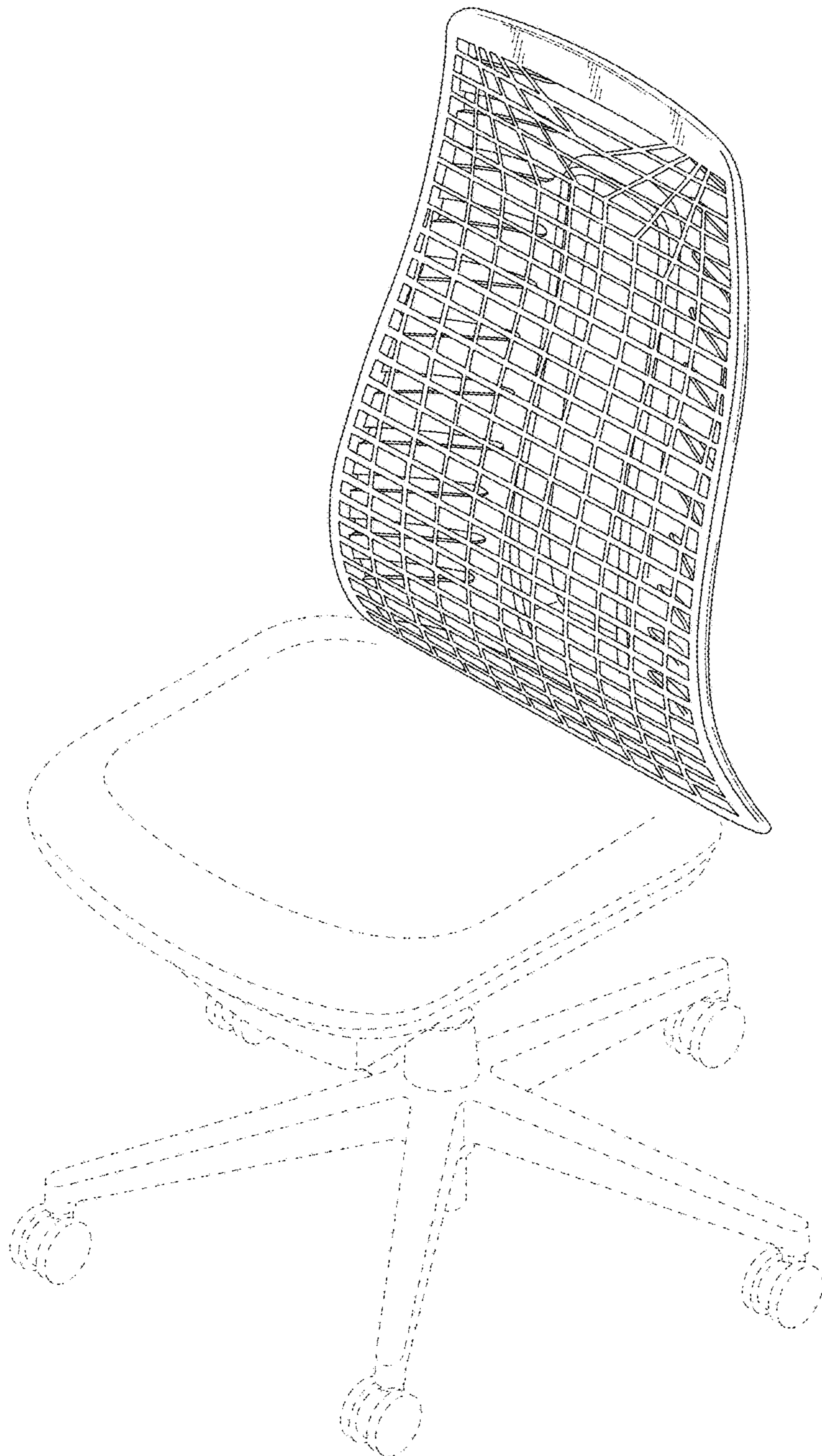


Fig. 1

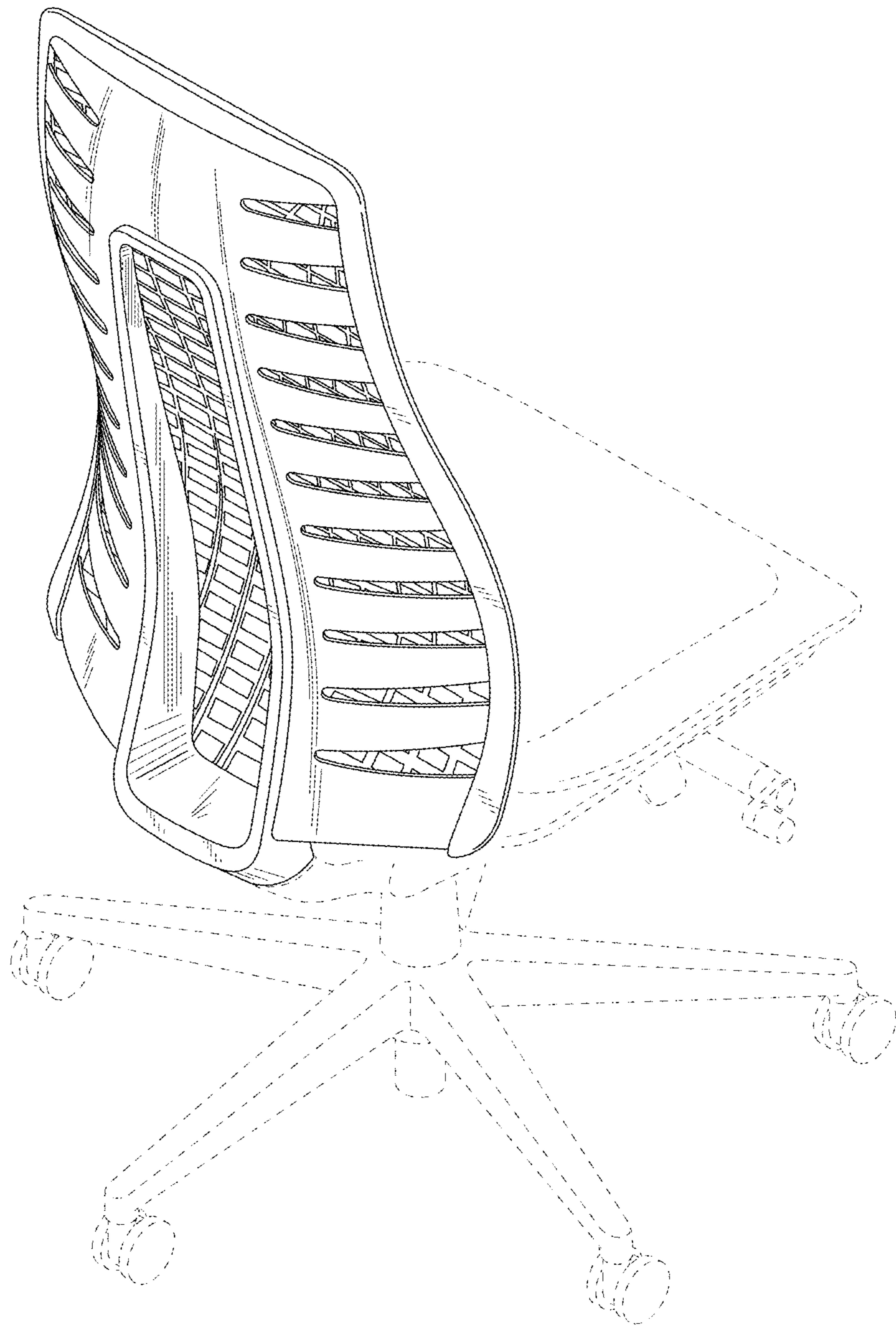


Fig. 2

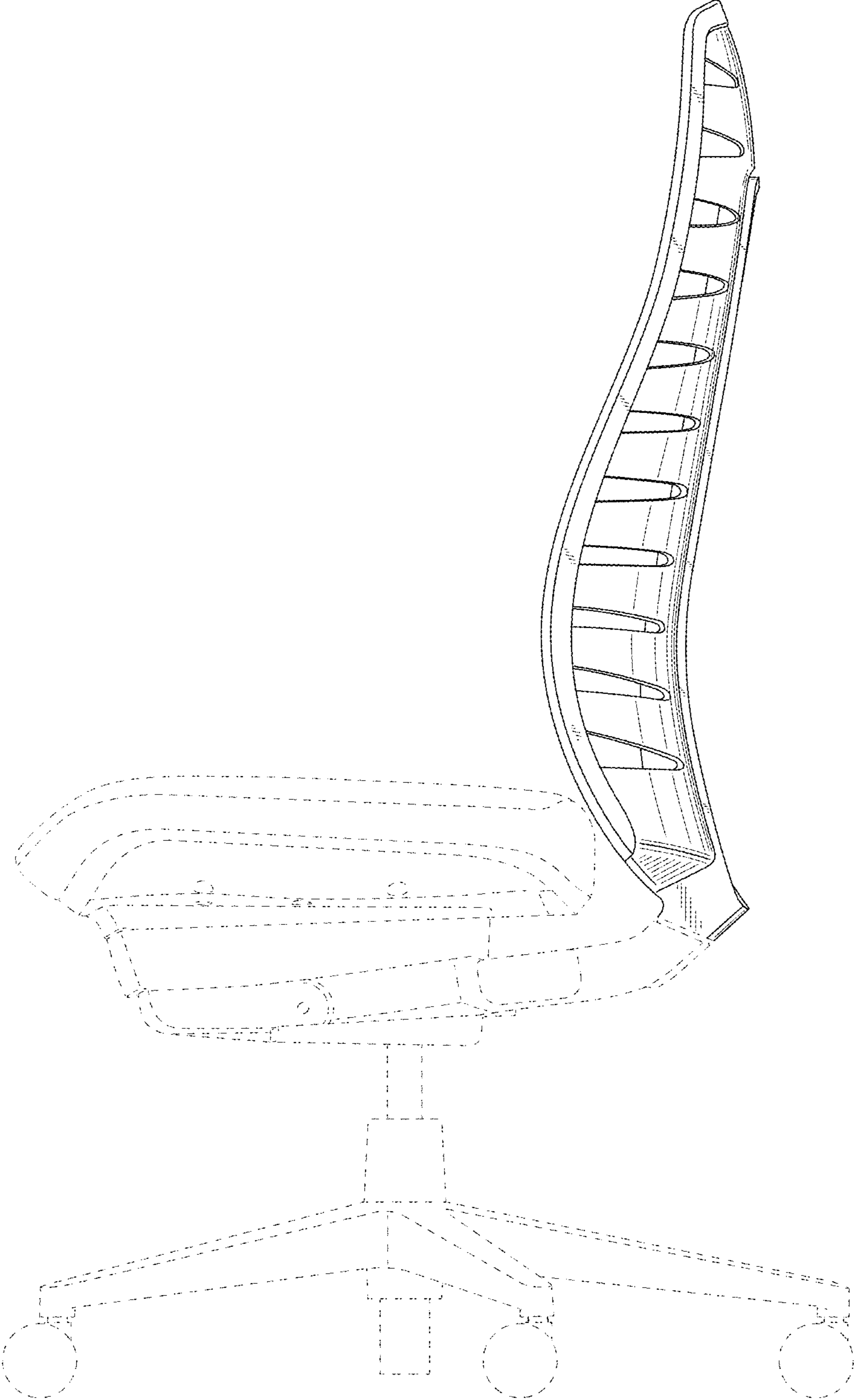


Fig. 3

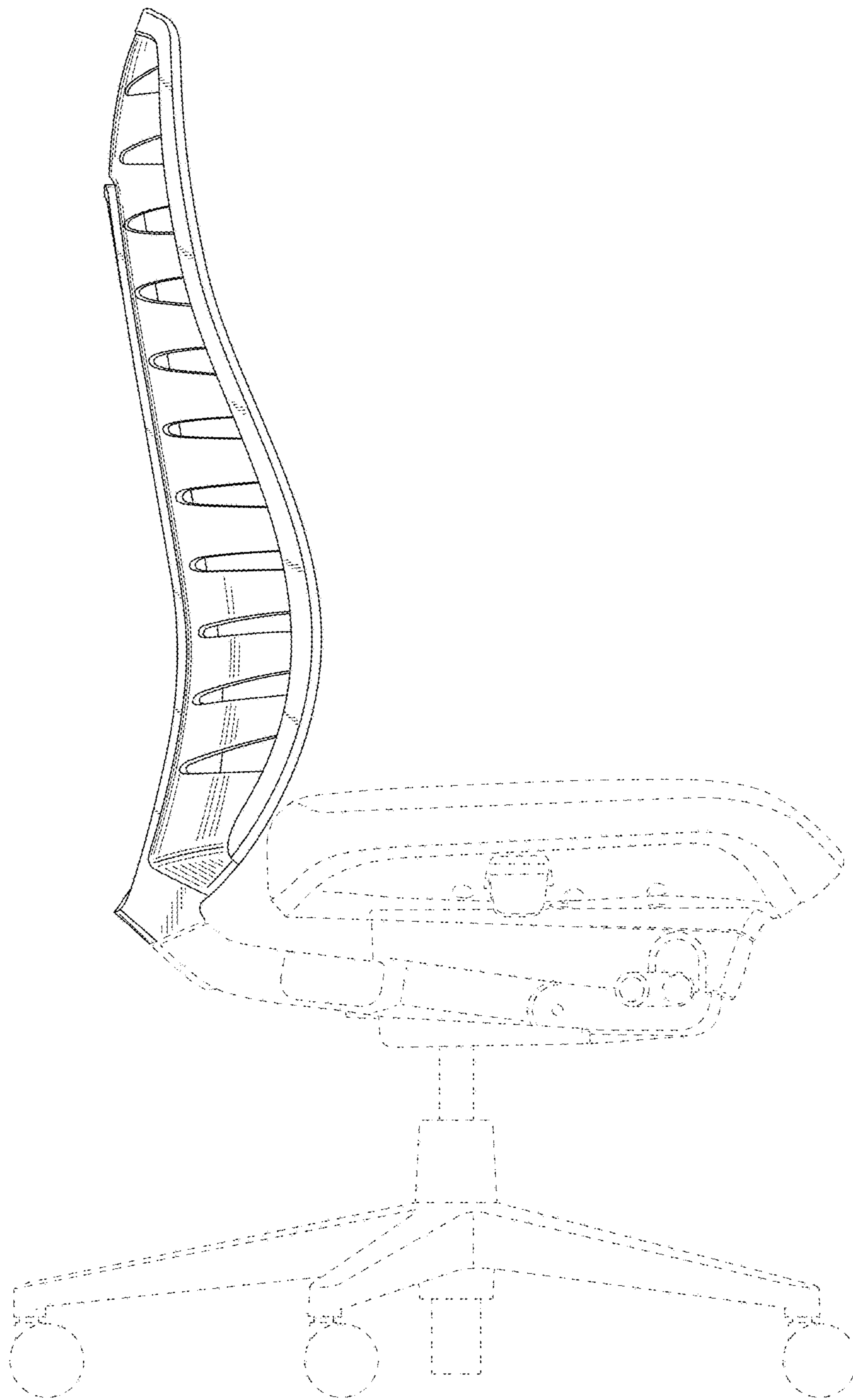


Fig. 4

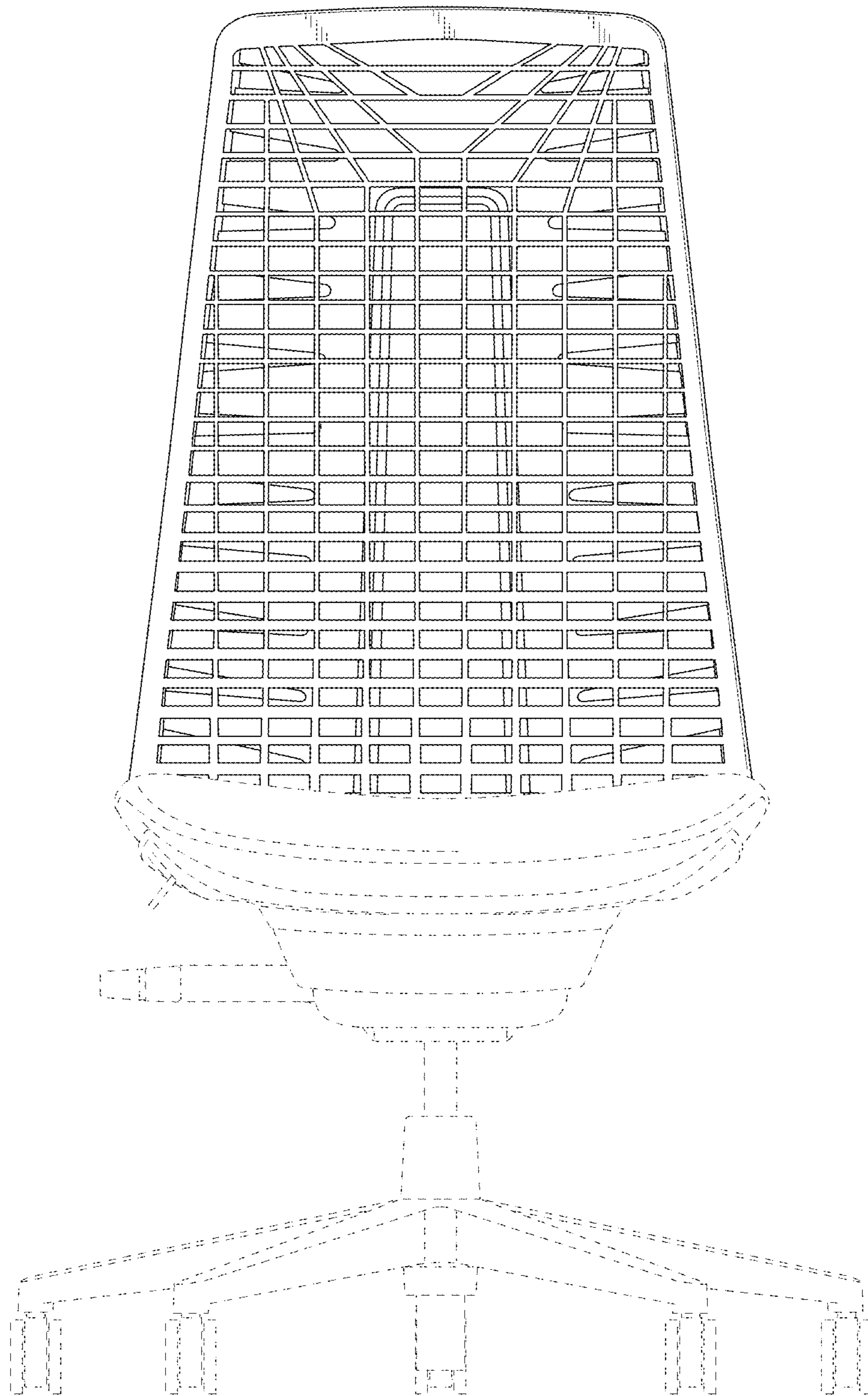


Fig. 5

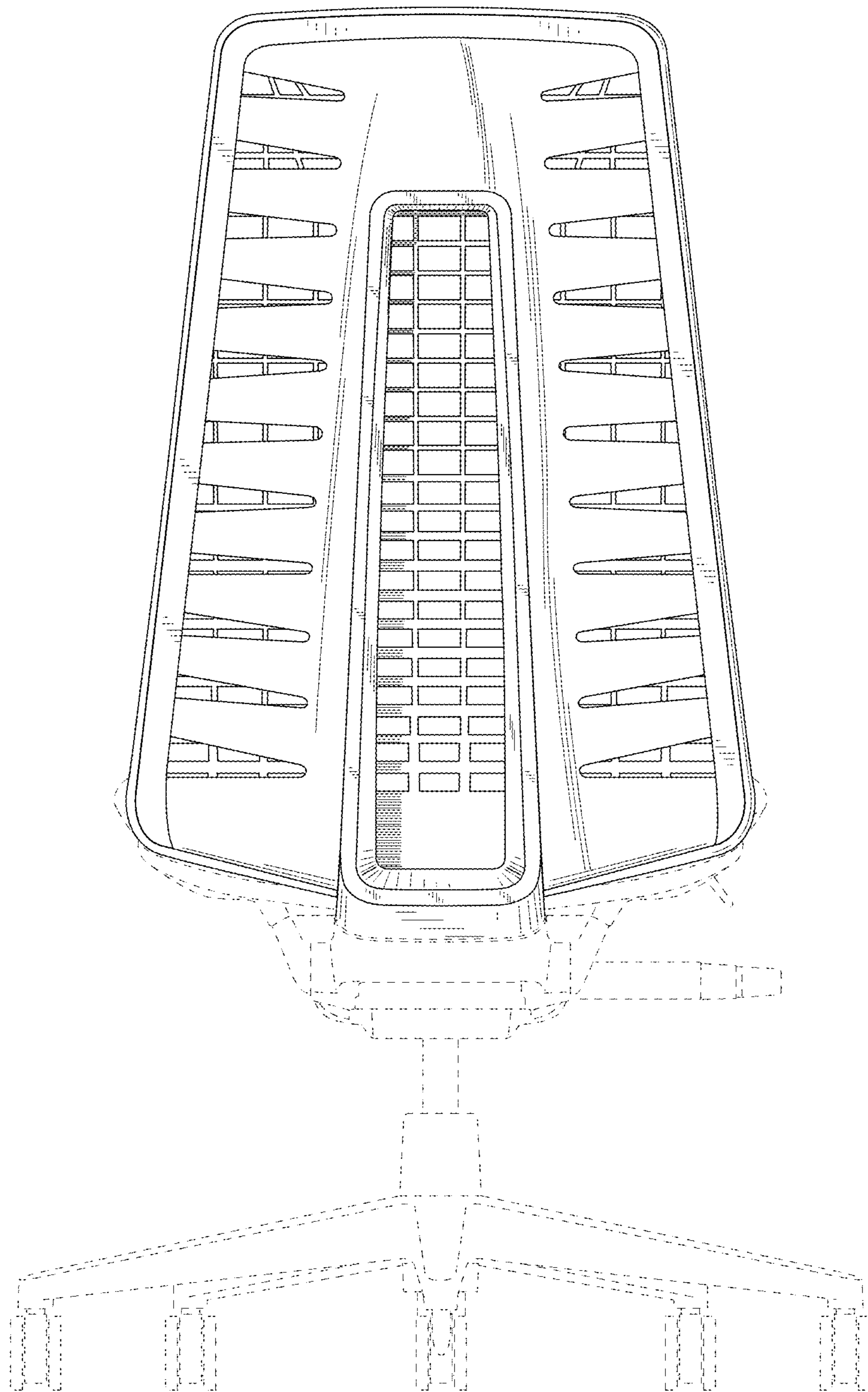


Fig. 6

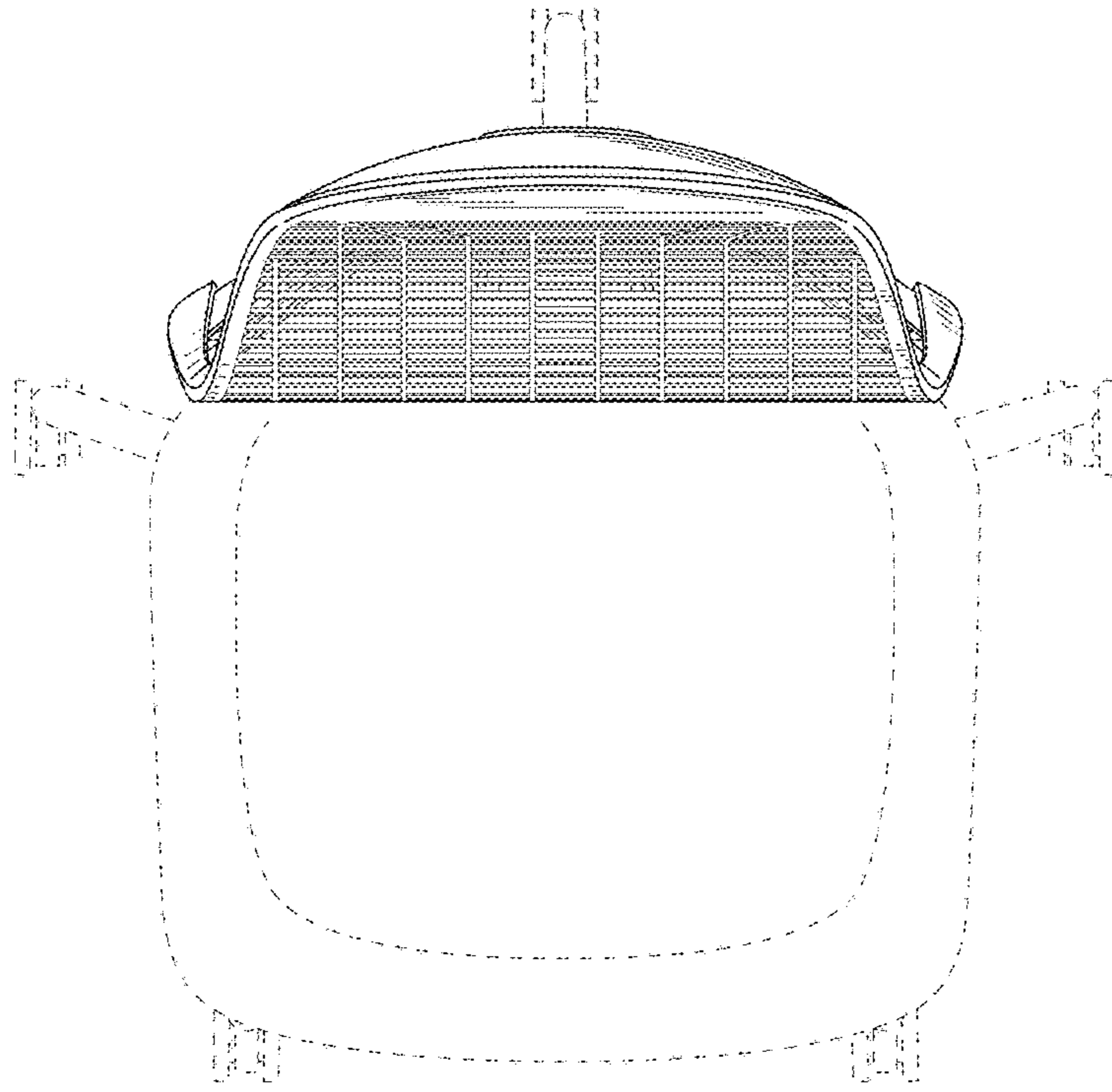


Fig. 7

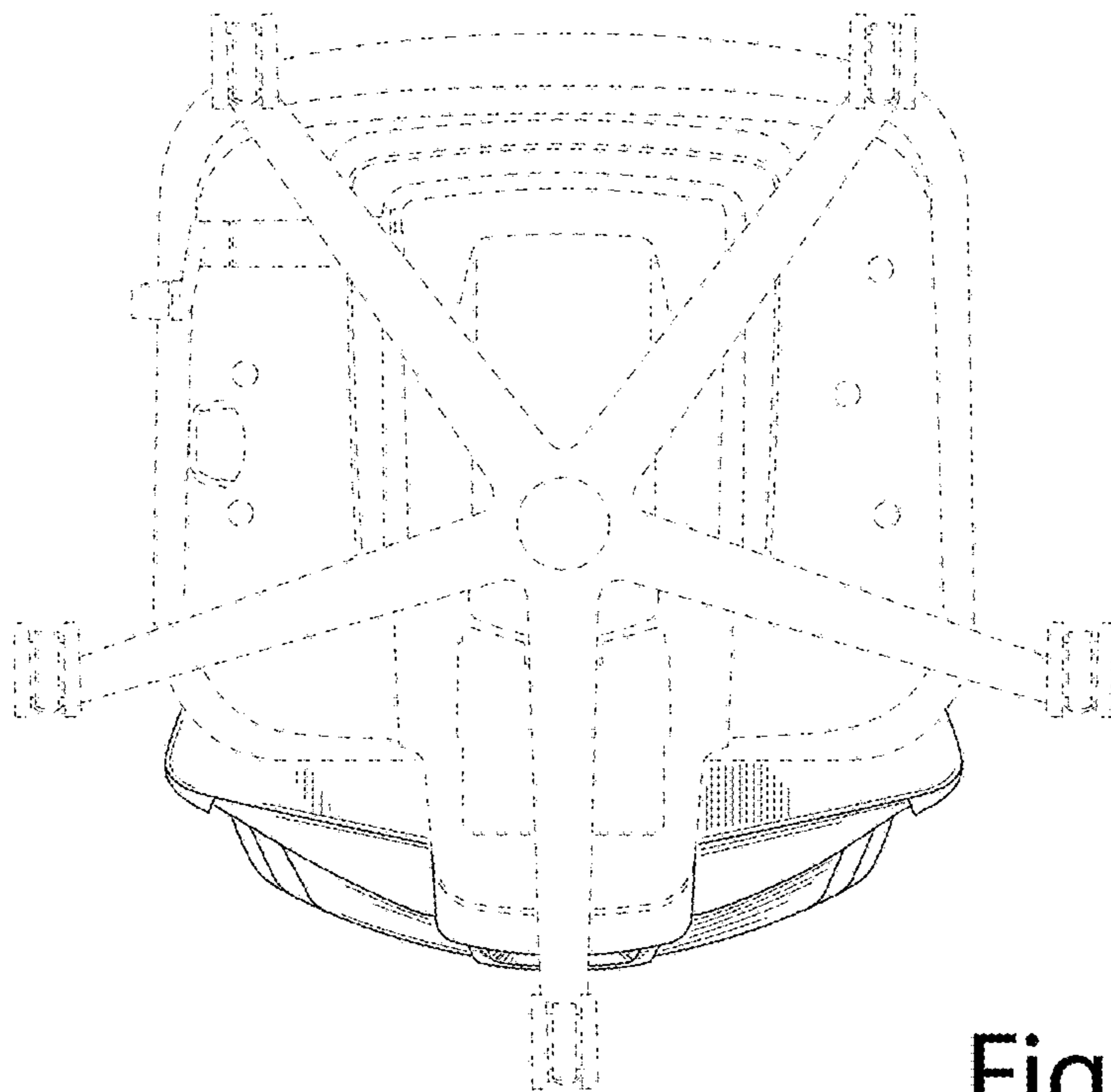


Fig. 8