



US00D779251S

(12) **United States Design Patent** (10) **Patent No.:** **US D779,251 S**
Beyer et al. (45) **Date of Patent:** **** Feb. 21, 2017**

(54) **LUMBAR SUPPORT FOR A CHAIR**
(71) Applicant: **Haworth, Inc.**, Holland, MI (US)
(72) Inventors: **Peter J. Beyer**, Hamilton, MI (US);
Teresa A. Bellingar, Holland, MI (US);
Michael W. Welsh, Rockford, MI (US);
Kyle R. Fleet, Byron Center, MI (US)

5,320,410 A 6/1994 Faiks et al.
5,403,067 A 4/1995 Rajaratnam
5,474,362 A * 12/1995 Albecker, III A47C 7/46
297/284.4
D368,524 S * 4/1996 Reedus D24/183
5,586,808 A 12/1996 Oelke
(Continued)

(73) Assignee: **Haworth, Inc.**, Holland, MI (US)
(**) Term: **15 Years**
(21) Appl. No.: **29/554,568**

FOREIGN PATENT DOCUMENTS
CN 2168479 6/1994
CN 1331940 1/2002
(Continued)

(22) Filed: **Feb. 12, 2016**
(51) **LOC (10) Cl.** **06-01**
(52) **U.S. Cl.**
USPC **D6/716.4**
(58) **Field of Classification Search**
USPC D6/334-336, 364, 365, 366, 367, 604,
D6/716, 716.1, 716.2, 716.3, 716.4;
D24/183
CPC A47C 7/46; A47C 7/462; A47C 7/465;
A47C 7/467; B60N 2/66; B60N
2/663; B60N 2/665; B60N 2/667; B60N
2/6671

OTHER PUBLICATIONS
International Search Report and Written Opinion dated Jul. 29,
2014, International Application No. PCT/US2014/028161.
Primary Examiner — Mimoso De
(74) *Attorney, Agent, or Firm* — Warner Norcross & Judd
LLP

See application file for complete search history.

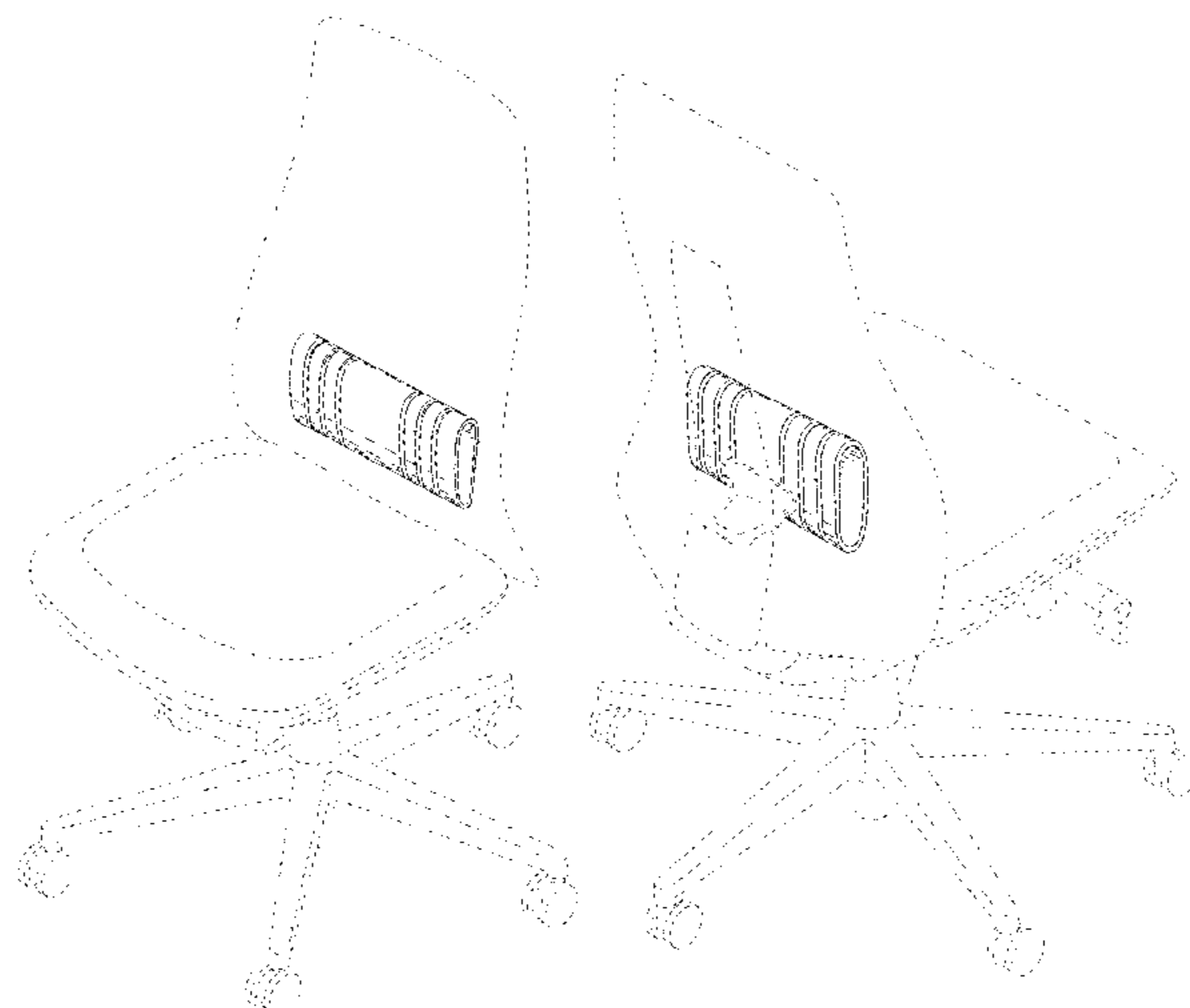
(57) **CLAIM**
The ornamental design for a lumbar support for a chair, as
shown and described.

(56) **References Cited**
U.S. PATENT DOCUMENTS
1,922,418 A * 8/1933 Conant A47C 7/462
248/407
3,353,869 A 11/1967 Getz et al.
3,476,169 A 11/1969 Militano
4,049,315 A 9/1977 Jacobson
4,408,800 A 10/1983 Knapp
4,556,254 A 12/1985 Roberts
4,658,807 A 4/1987 Swain
4,744,603 A 5/1988 Knoblock
4,981,131 A * 1/1991 Hazard A47C 7/467
297/284.1
5,286,087 A * 2/1994 Elton B60N 2/66
297/284.1

DESCRIPTION

FIG. 1 is a front perspective view of the lumbar support for
a chair embodying the new design;
FIG. 2 is a rear perspective view thereof;
FIG. 3 is a right side view thereof;
FIG. 4 is a left side view thereof;
FIG. 5 is a front view thereof;
FIG. 6 is a rear view thereof;
FIG. 7 is a top view thereof; and,
FIG. 8 is a bottom view thereof.
FIGS. 1-8 show a chair in broken lines. The portions shown
in broken lines are for environmental purposes only and
form no part of the claimed design.

1 Claim, 7 Drawing Sheets



(56)

References Cited

U.S. PATENT DOCUMENTS

5,645,321 A 7/1997 Seroldi
 5,707,108 A * 1/1998 Pi A47C 7/46
 297/184.1
 5,826,937 A 10/1998 Massara
 5,951,109 A 9/1999 Roslund et al.
 5,988,757 A 11/1999 Vishey et al.
 6,220,663 B1 * 4/2001 Benden A47C 7/467
 297/284.6
 6,572,190 B2 6/2003 Koepke et al.
 D497,501 S * 10/2004 Saylor D6/716.4
 6,910,736 B2 6/2005 White
 6,971,717 B1 12/2005 Rhodes
 7,032,971 B2 4/2006 Williams
 D540,606 S * 4/2007 Greenberg D6/604
 7,255,394 B2 * 8/2007 Ogura B60N 2/665
 297/284.3
 7,396,438 B2 7/2008 Scobie
 D587,942 S * 3/2009 Dallmann D6/716.4
 7,909,402 B2 3/2011 Chu et al.
 8,622,472 B2 1/2014 Rajaratnam
 9,211,824 B2 * 12/2015 Arant B60N 2/66
 2001/0008955 A1 7/2001 Garth
 2002/0130540 A1 9/2002 Rajasingham
 2004/0007910 A1 1/2004 Skelly
 2004/0104610 A1 6/2004 Jaskot et al.
 2004/0256899 A1 12/2004 Moore et al.
 2006/0103214 A1 5/2006 Andersson et al.
 2006/0181126 A1 8/2006 Eysing
 2006/0255635 A1 11/2006 Iijima et al.

2007/0102987 A1 5/2007 Chen
 2009/0102268 A1 4/2009 Schmitz et al.
 2009/0261644 A1 10/2009 Piretti
 2010/0187882 A1 7/2010 Chen
 2012/0061988 A1 3/2012 Jaranson et al.
 2012/0299350 A1 11/2012 Willingham
 2013/0221724 A1 8/2013 Fowler
 2014/0062154 A1 3/2014 Minino et al.
 2014/0117738 A1 5/2014 Takahashi et al.
 2014/0183914 A1 7/2014 Cvek

FOREIGN PATENT DOCUMENTS

CN 1470420 1/2004
 CN 1564666 1/2005
 CN 1575142 2/2005
 CN 101715310 5/2010
 DE 102007002284 7/2008
 DE 102008009509 8/2009
 DE 102011100708 11/2012
 EP 1232703 8/2002
 EP 1693248 8/2006
 EP 1785070 5/2007
 EP 1911374 4/2008
 EP 1946676 7/2008
 WO 9212654 8/1992
 WO 9848670 11/1998
 WO 9848671 11/1998
 WO 0022961 4/2000
 WO 03063651 8/2003
 WO 20120167940 12/2012

* cited by examiner

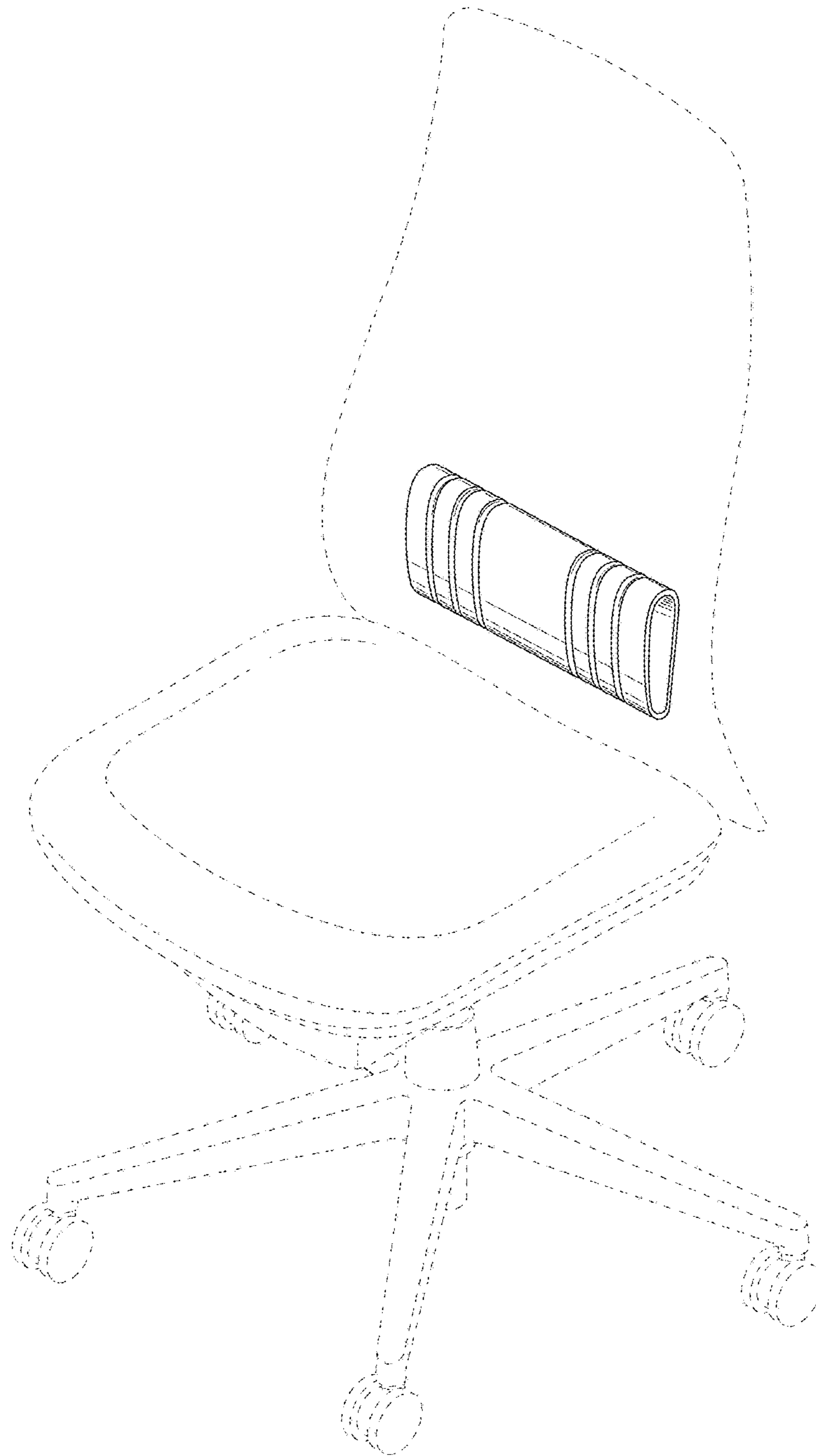


Fig. 1

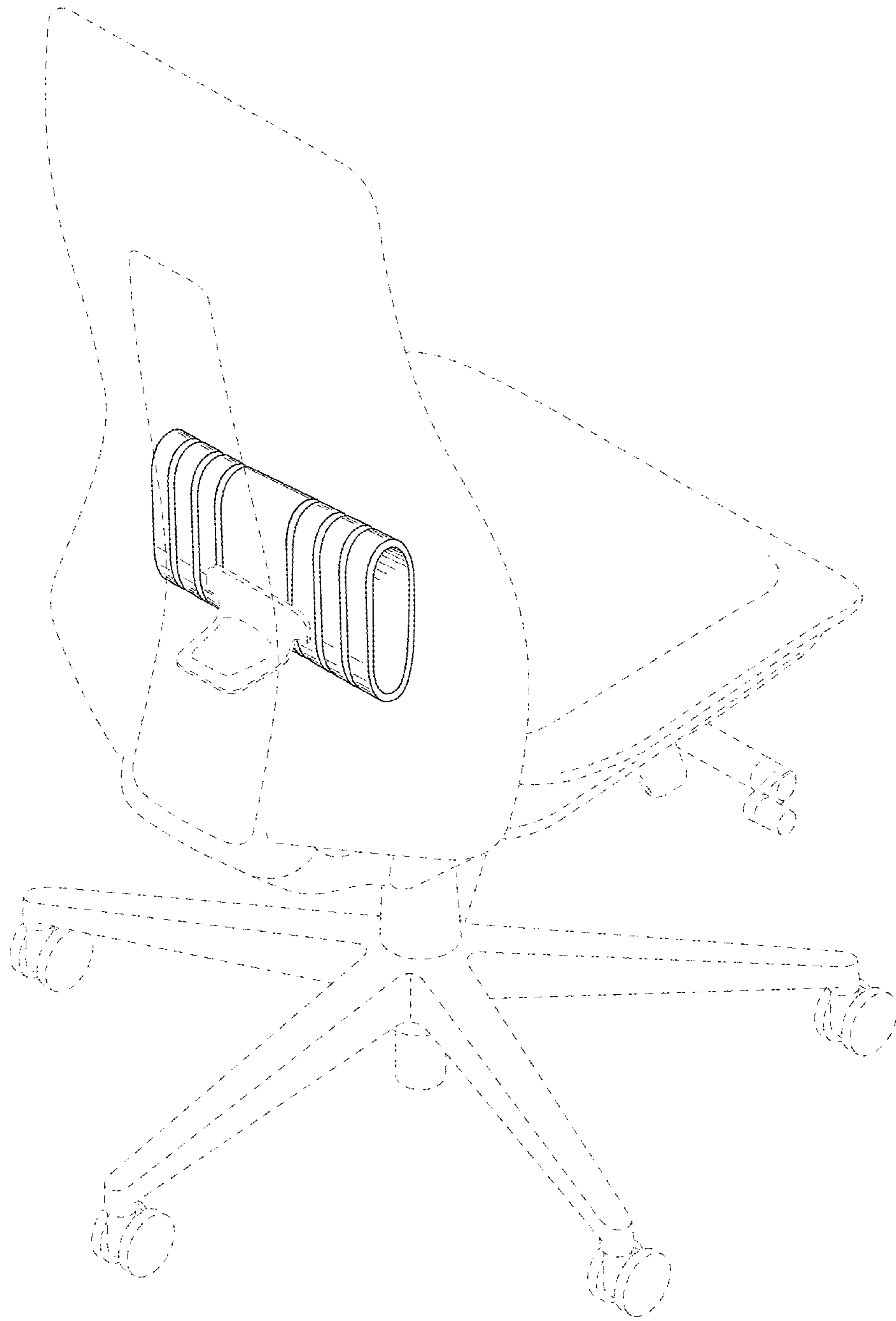


Fig. 2

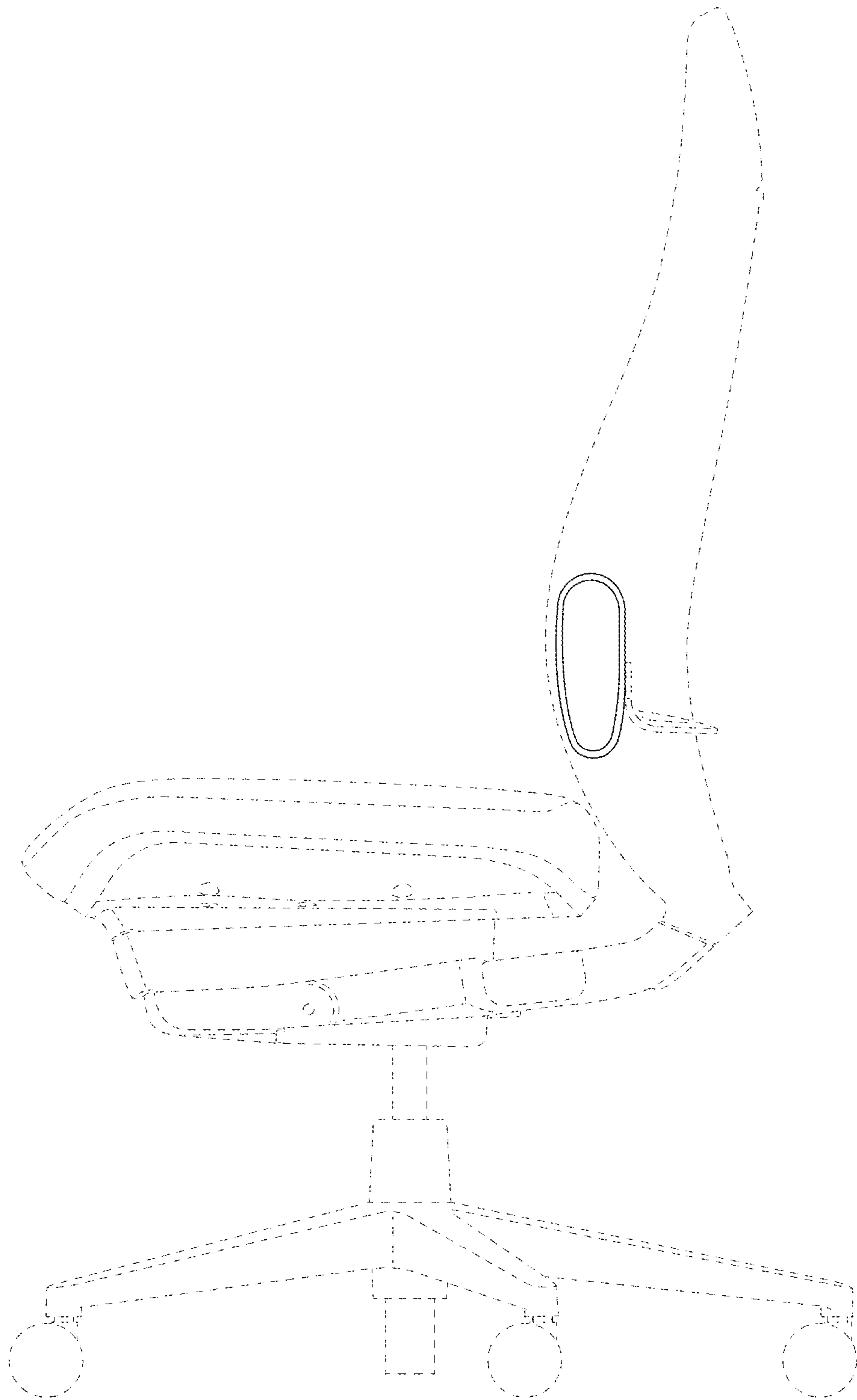


Fig. 3

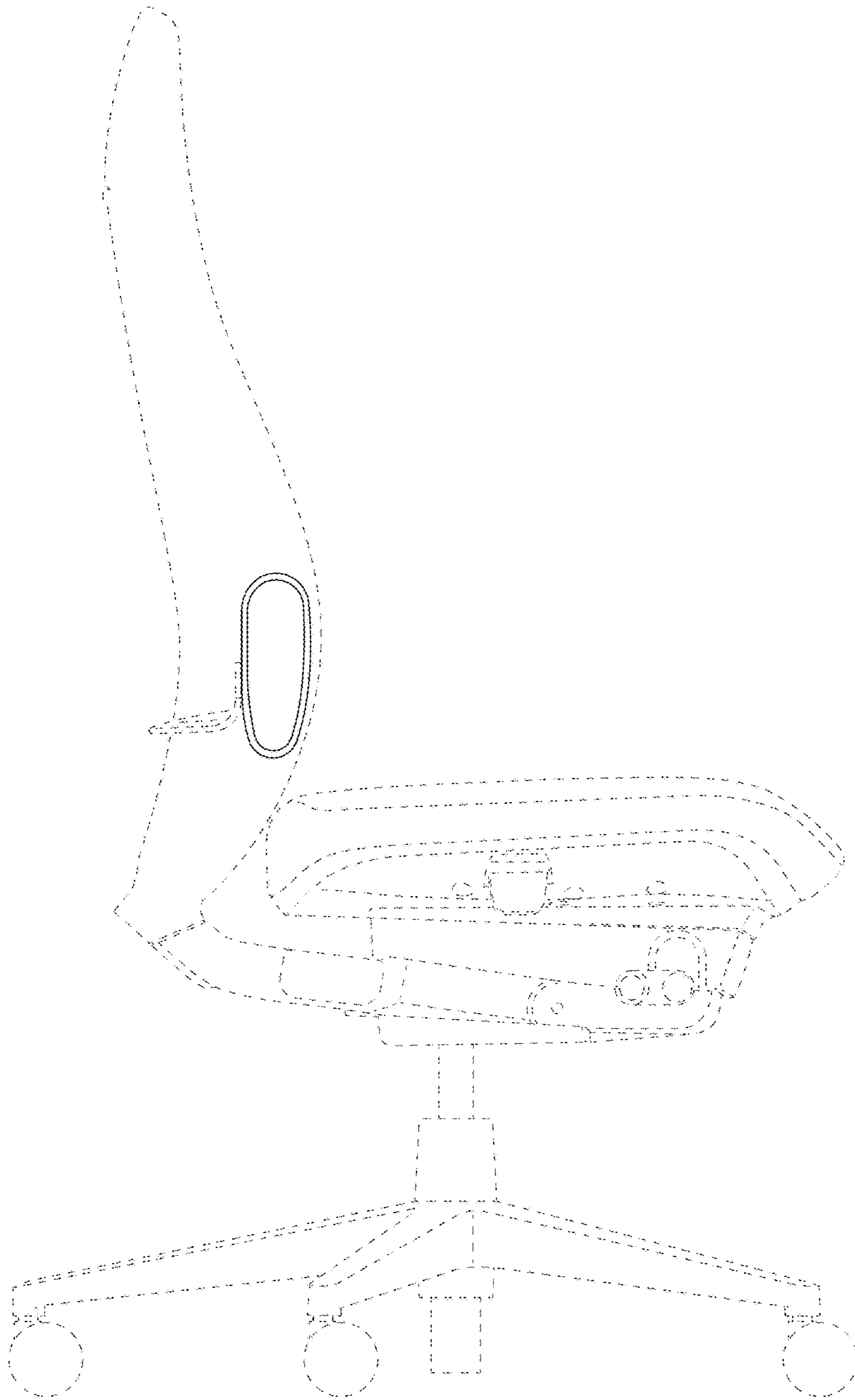


Fig. 4

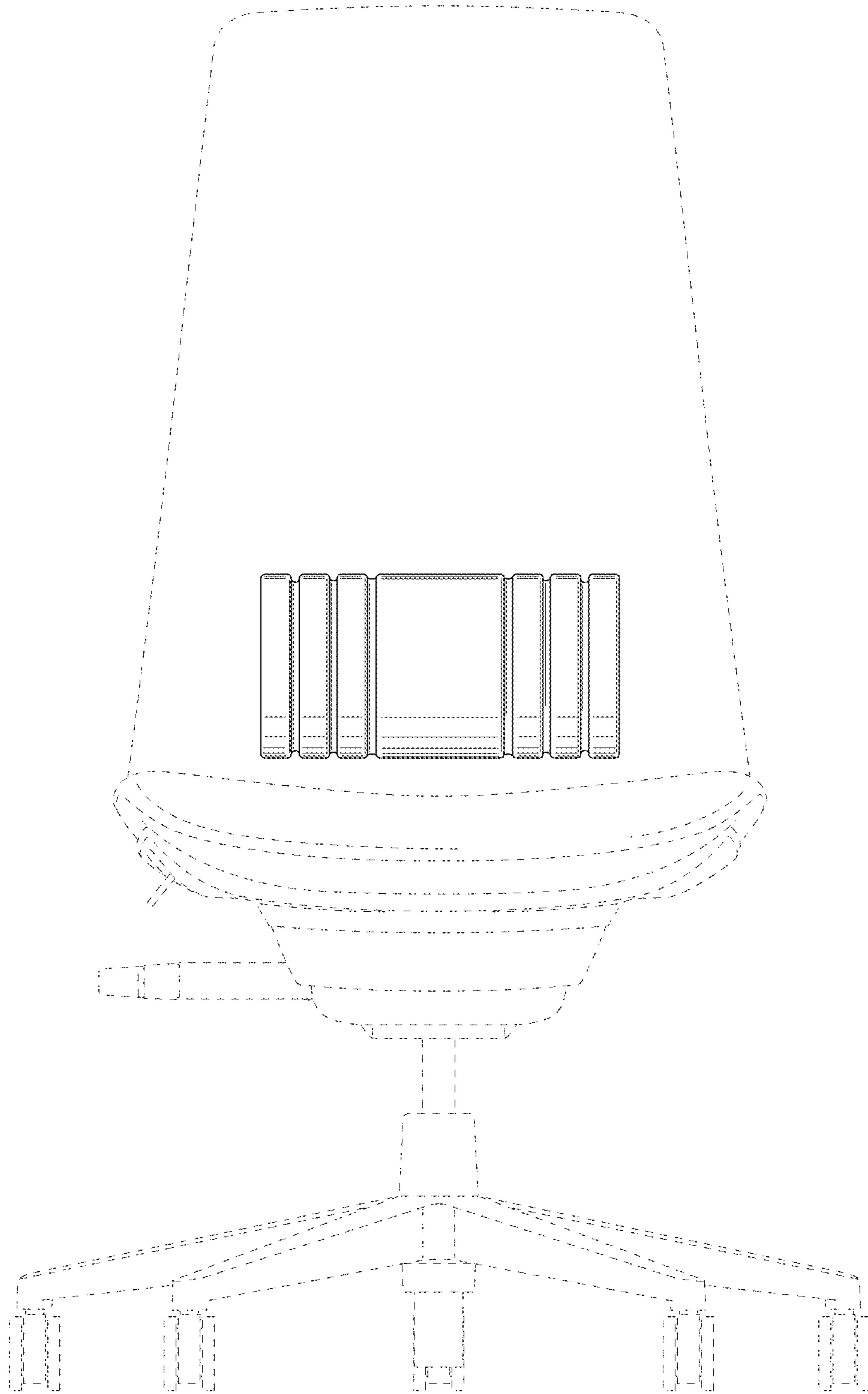


Fig. 5

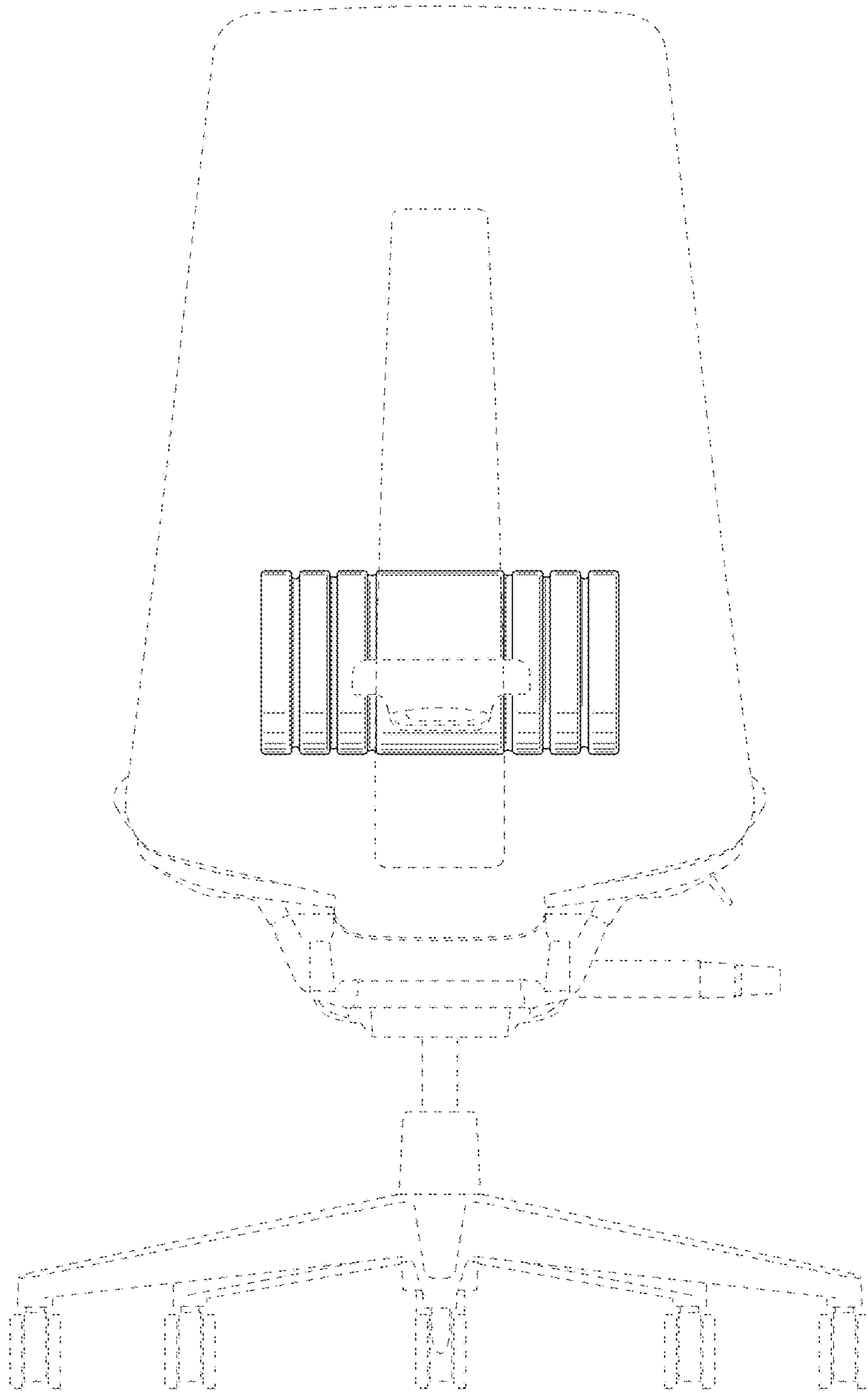


Fig. 6

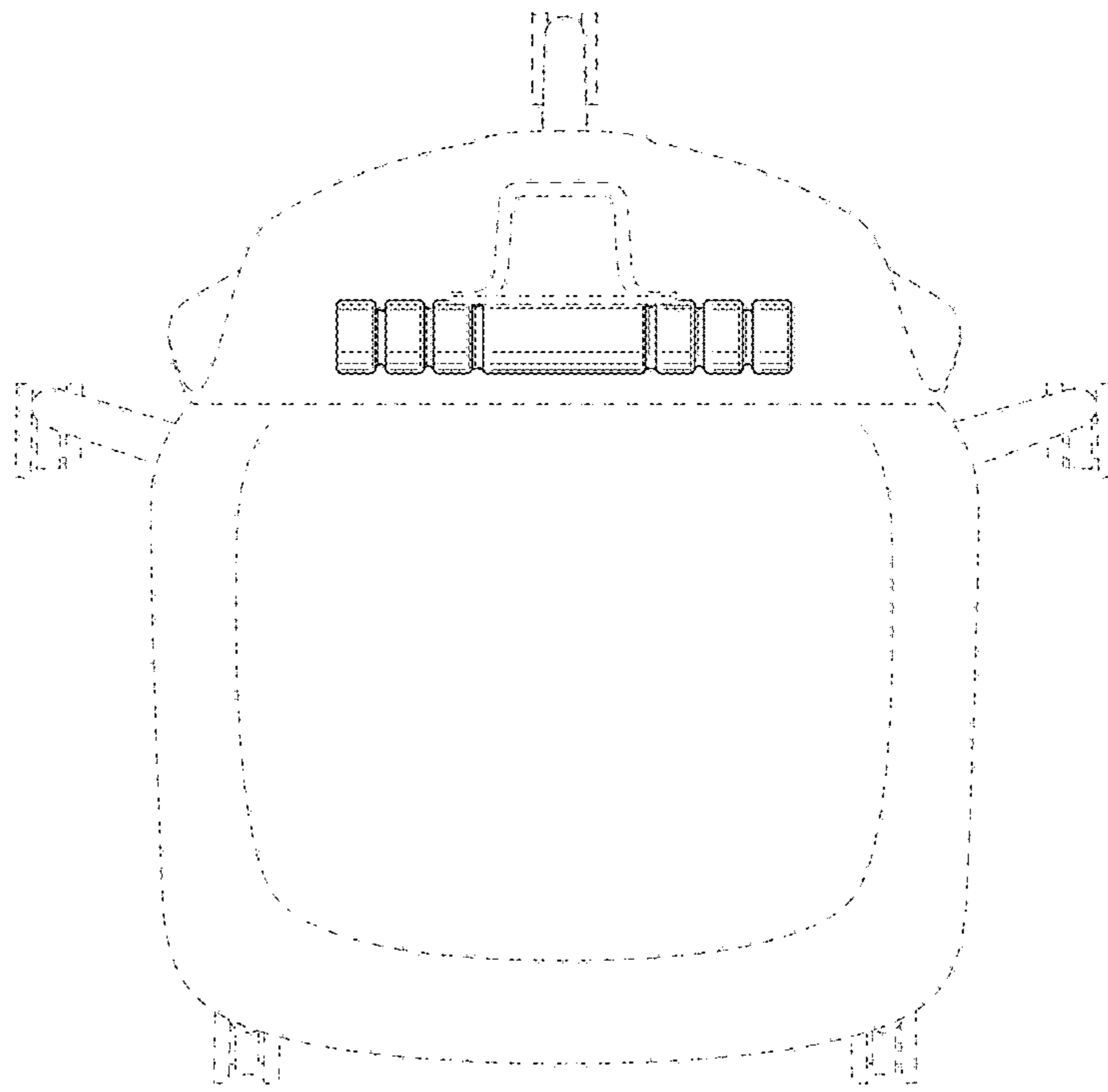


Fig. 7

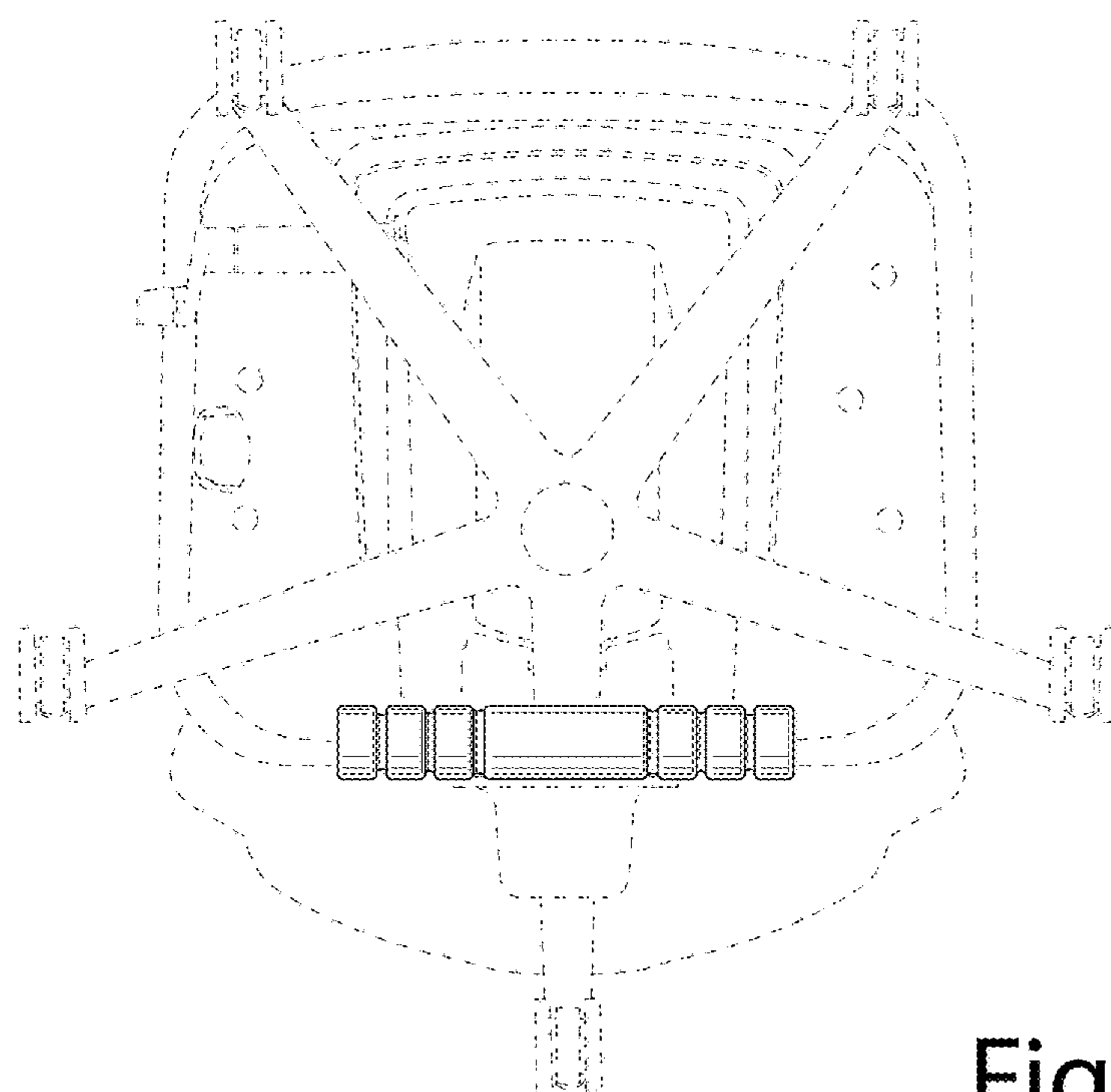


Fig. 8