



US00D779250S

(12) **United States Design Patent** (10) **Patent No.:** **US D779,250 S**  
**Welsh et al.** (45) **Date of Patent:** **\*\* Feb. 21, 2017**

(54) **PORTION OF A BACK SUPPORT FOR A CHAIR**

5,403,067 A 4/1995 Rajaratnam  
D368,596 S \* 4/1996 Breen ..... D6/366  
5,586,808 A 12/1996 Oelke  
5,645,321 A 7/1997 Seroldi  
5,826,937 A 10/1998 Massara  
(Continued)

(71) Applicant: **Haworth, Inc.**, Holland, MI (US)

(72) Inventors: **Michael W. Welsh**, Rockford, MI (US);  
**Kyle R. Fleet**, Byron Center, MI (US);  
**Nicolai Czumaj-Bront**, Grand Rapids, MI (US); **Martin W. Potrykus**, Bamberg (DE); **Markus Berenwinkel**, Fuerth (DE); **Carlo Shayeb**, Nuremberg (DE)

FOREIGN PATENT DOCUMENTS

CN 2168479 6/1994  
CN 1331940 1/2002  
(Continued)

(73) Assignee: **Haworth, Inc.**, Holland, MI (US)

(\*\*) Term: **15 Years**

(21) Appl. No.: **29/554,566**

(22) Filed: **Feb. 12, 2016**

(51) **LOC (10) Cl.** ..... **06-01**

(52) **U.S. Cl.**  
USPC ..... **D6/716.4**

(58) **Field of Classification Search**  
USPC ..... D6/334-336, 364, 365, 366, 374, 379,  
D6/716, 716.1, 716.2, 716.3, 716.4  
CPC ..... A47C 7/022; A47C 7/40; A47C 4/028;  
A47C 7/18; A47C 7/38; A47C  
7/46; B60N 2/66

See application file for complete search history.

OTHER PUBLICATIONS

International Search Report and Written Opinion dated Jul. 29, 2014, International Application No. PCT/US2014/028161.

*Primary Examiner* — Mimoso De

(74) *Attorney, Agent, or Firm* — Warner Norcross & Judd LLP

(57) **CLAIM**

The ornamental design for a portion of a back support for a chair, as shown and described.

**DESCRIPTION**

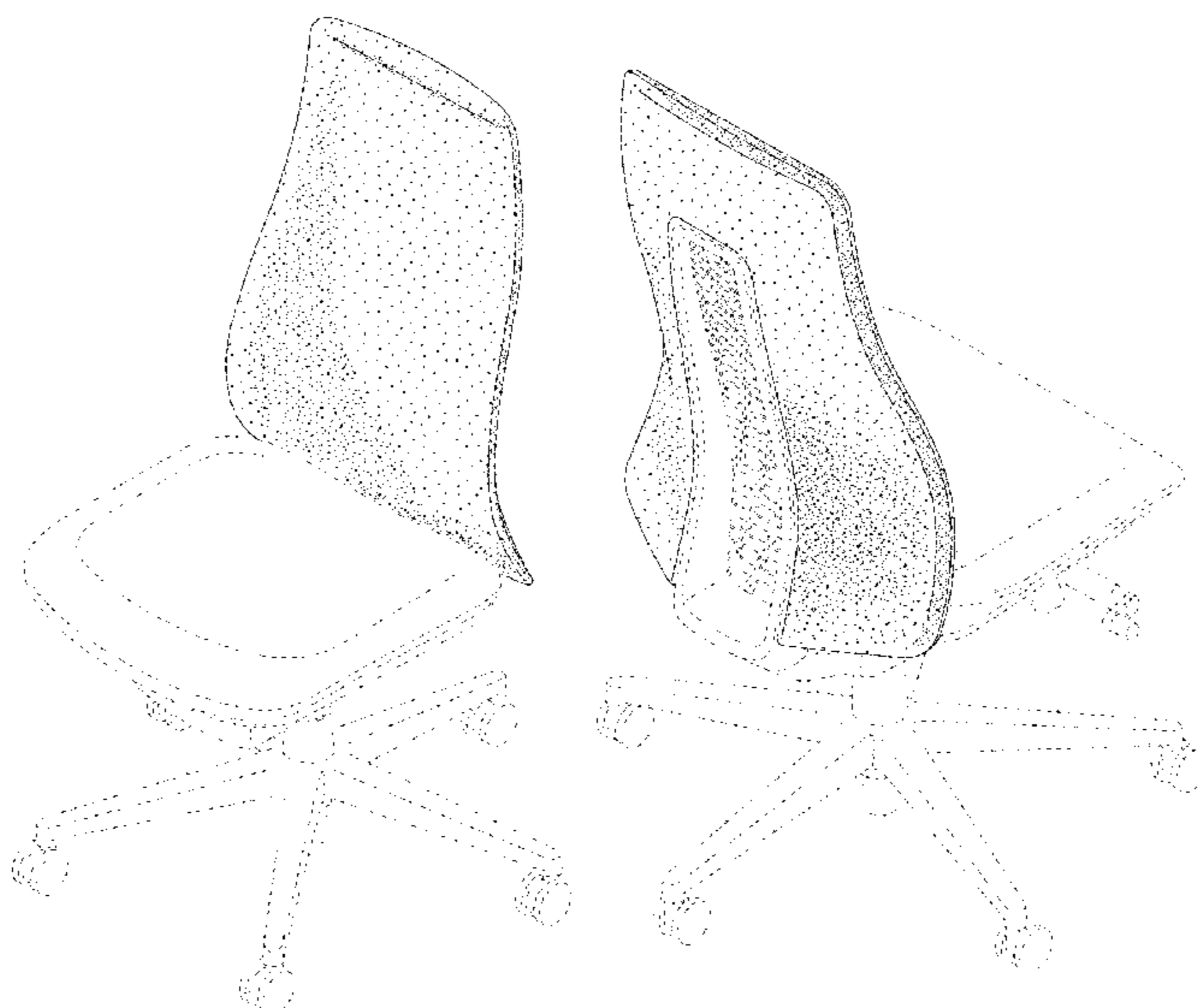
FIG. 1 is a front perspective view of the portion of a back support for a chair embodying the new design; FIG. 2 is a rear perspective view thereof; FIG. 3 is a right side view thereof; FIG. 4 is a left side view thereof; FIG. 5 is a front view thereof; FIG. 6 is a rear view thereof; FIG. 7 is a top view thereof; and, FIG. 8 is a bottom view thereof. FIGS. 1-8 show a seat support and portions of a seat back support in broken lines. The portions shown in broken lines are for environmental purposes only and form no part of the claimed design.

**1 Claim, 7 Drawing Sheets**

(56) **References Cited**

U.S. PATENT DOCUMENTS

3,353,869 A 11/1967 Getz et al.  
3,476,169 A 11/1969 Militano  
4,049,315 A 9/1977 Jacobson  
4,408,800 A 10/1983 Knapp  
4,556,254 A 12/1985 Roberts  
4,658,807 A 4/1987 Swain  
4,744,603 A 5/1988 Knoblock  
5,320,410 A 6/1994 Faiks et al.



(56)

References Cited

U.S. PATENT DOCUMENTS

5,951,109 A 9/1999 Roslund et al.  
 5,988,757 A 11/1999 Vishey et al.  
 6,572,190 B2 6/2003 Koepke et al.  
 D477,469 S \* 7/2003 Brooks ..... D6/366  
 6,910,736 B2 6/2005 White  
 6,971,717 B1 12/2005 Rhodes  
 7,032,971 B2 4/2006 Williams  
 D551,868 S \* 10/2007 Chu ..... D6/366  
 7,396,438 B2 7/2008 Scobie  
 7,909,402 B2 3/2011 Chu et al.  
 D680,345 S \* 4/2013 Xingchang ..... D6/366  
 D695,537 S \* 12/2013 Geelen ..... D6/366  
 8,622,472 B2 1/2014 Rajaratnam  
 D724,881 S \* 3/2015 Tsai ..... D6/716.4  
 D735,483 S \* 8/2015 Wu ..... D6/366  
 D738,129 S \* 9/2015 Wu ..... D6/366  
 D751,836 S \* 3/2016 Izawa ..... D6/366  
 D766,026 S \* 9/2016 Wu ..... D6/716.4  
 D766,027 S \* 9/2016 Wu ..... D6/716.4  
 2001/0008955 A1 7/2001 Garth  
 2002/0130540 A1 9/2002 Rajasingham  
 2004/0007910 A1 1/2004 Skelly  
 2004/0104610 A1 6/2004 Jaskot et al.  
 2004/0256899 A1 12/2004 Moore et al.  
 2006/0103214 A1 5/2006 Andersson et al.  
 2006/0181126 A1 8/2006 Eysing  
 2006/0255635 A1 11/2006 Iijima et al.  
 2007/0102987 A1 5/2007 Chen

2009/0102268 A1 4/2009 Schmitz et al.  
 2009/0261644 A1 10/2009 Piretti  
 2010/0187882 A1 7/2010 Chen  
 2012/0061988 A1 3/2012 Jaranson et al.  
 2012/0299350 A1 11/2012 Willingham  
 2013/0221724 A1 8/2013 Fowler  
 2014/0062154 A1 3/2014 Minino et al.  
 2014/0117738 A1 5/2014 Takahashi et al.  
 2014/0183914 A1 7/2014 Cvek

FOREIGN PATENT DOCUMENTS

CN	1470420	1/2004
CN	1564666	1/2005
CN	1575142	2/2005
CN	101715310	5/2010
DE	102007002284	7/2008
DE	102008009509	8/2009
DE	102011100708	11/2012
EP	1232703	8/2002
EP	1693248	8/2006
EP	1785070	5/2007
EP	1911374	4/2008
EP	1946676	7/2008
WO	9212654	8/1992
WO	9848670	11/1998
WO	9848671	11/1998
WO	0022961	4/2000
WO	03063651	8/2003
WO	2012167940	12/2012

\* cited by examiner

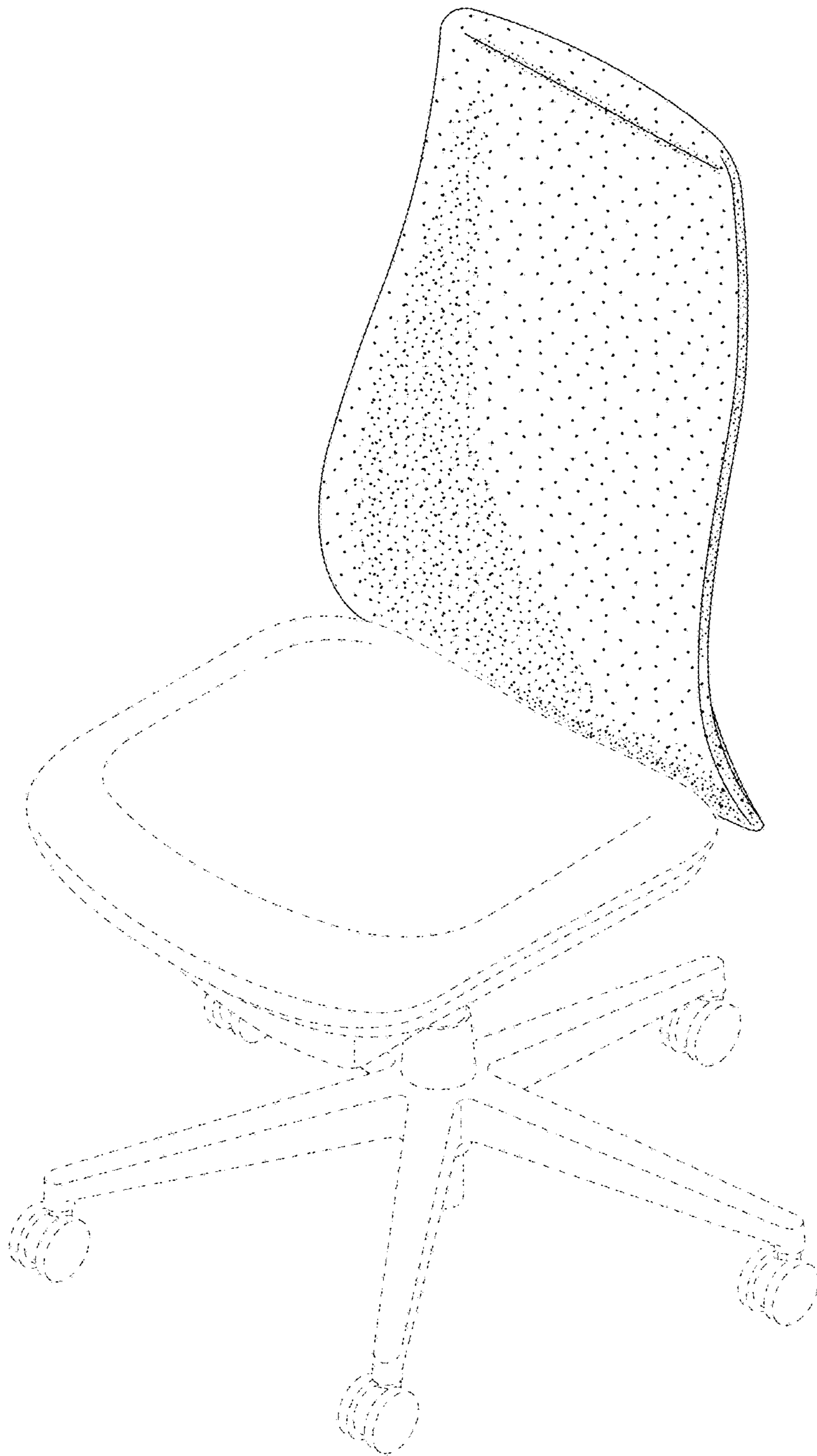


Fig. 1

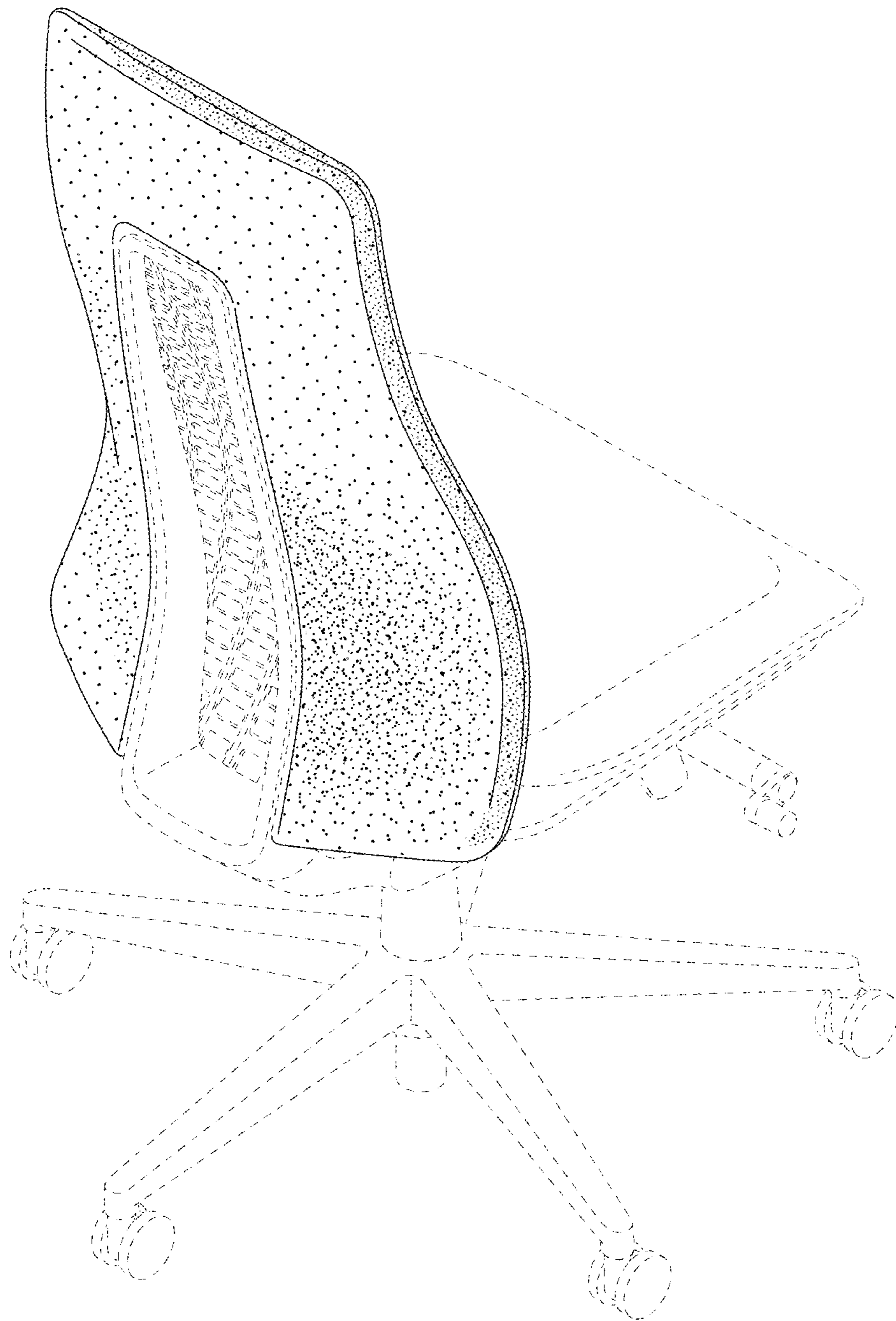


Fig. 2

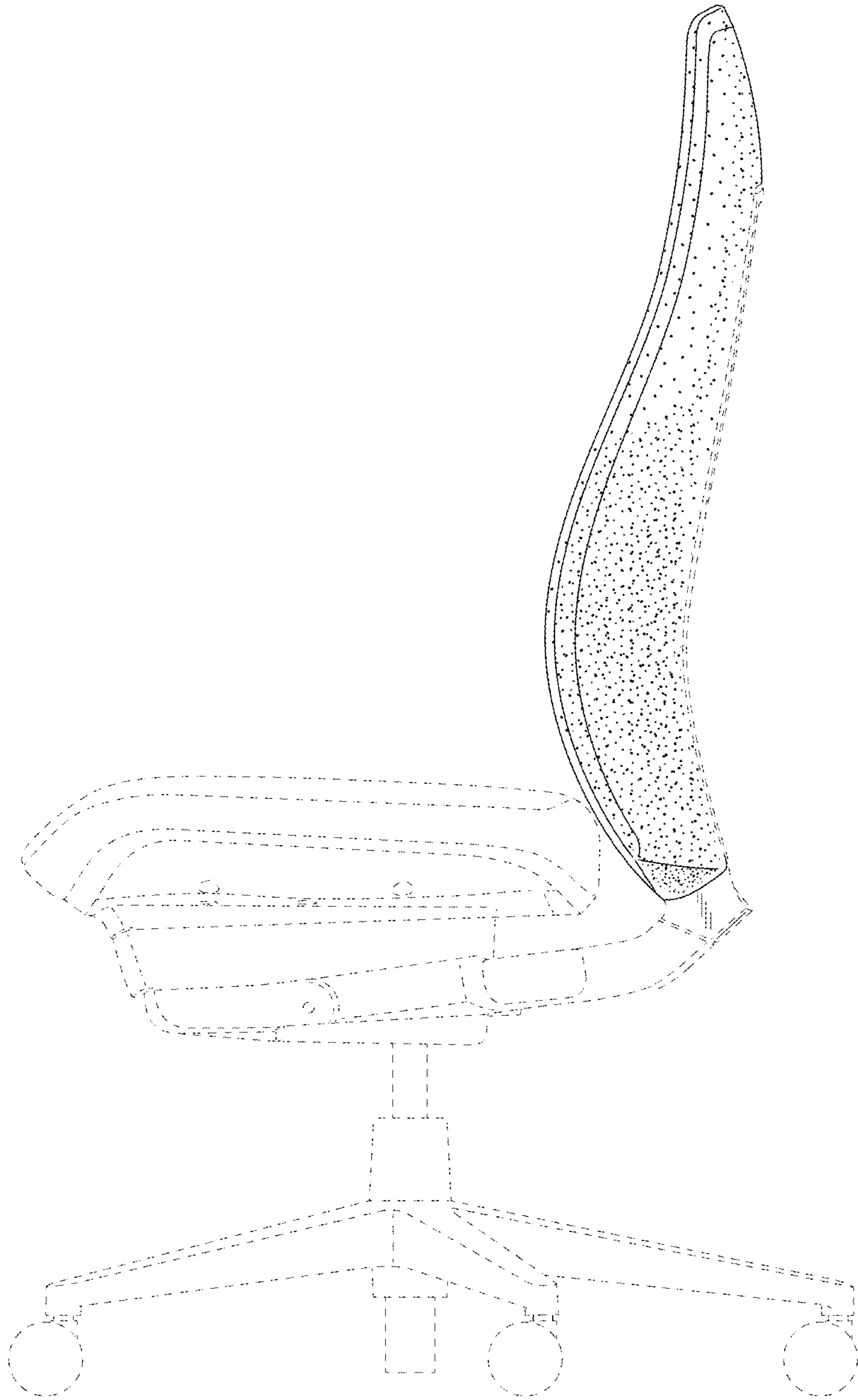


Fig. 3

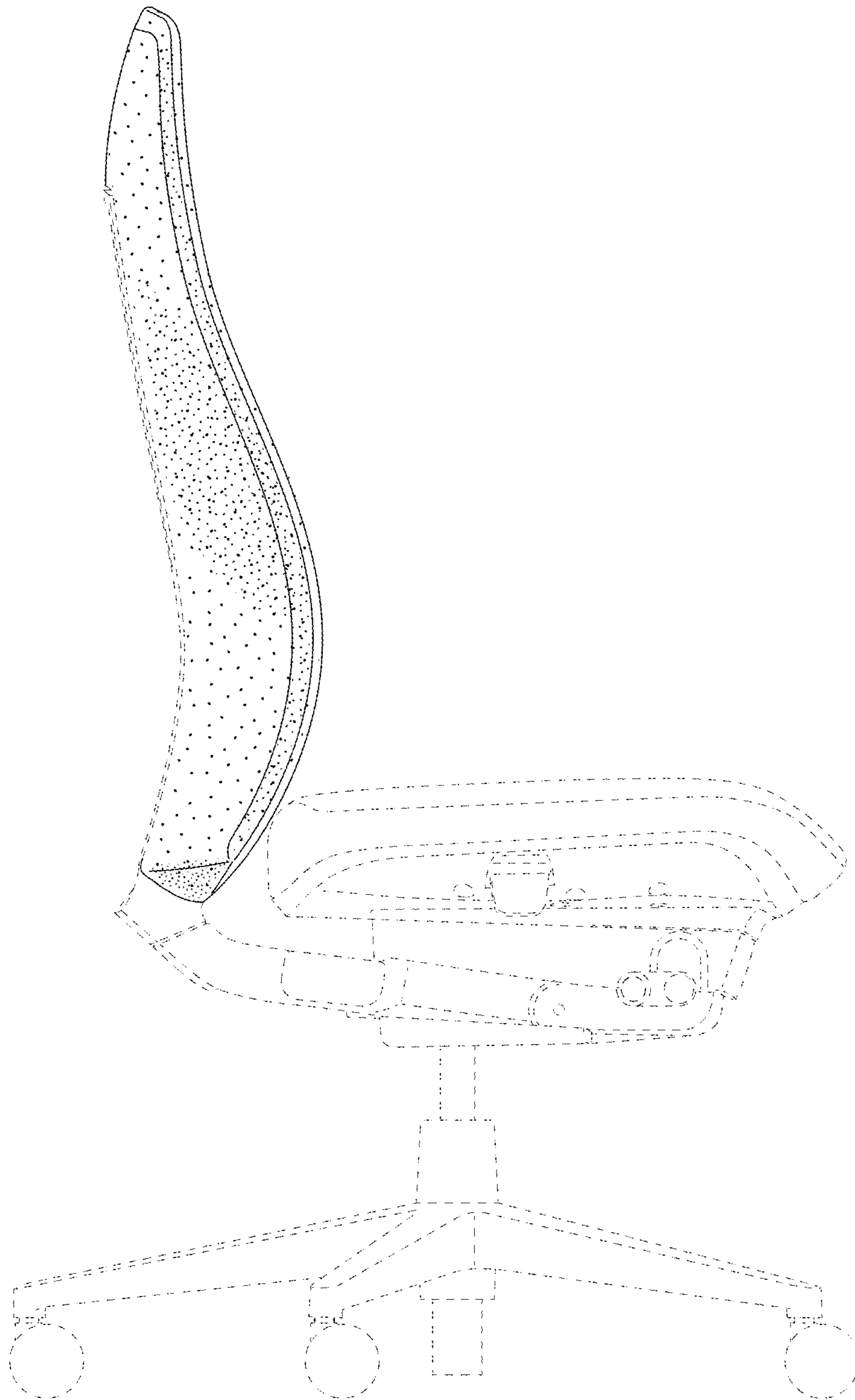


Fig. 4

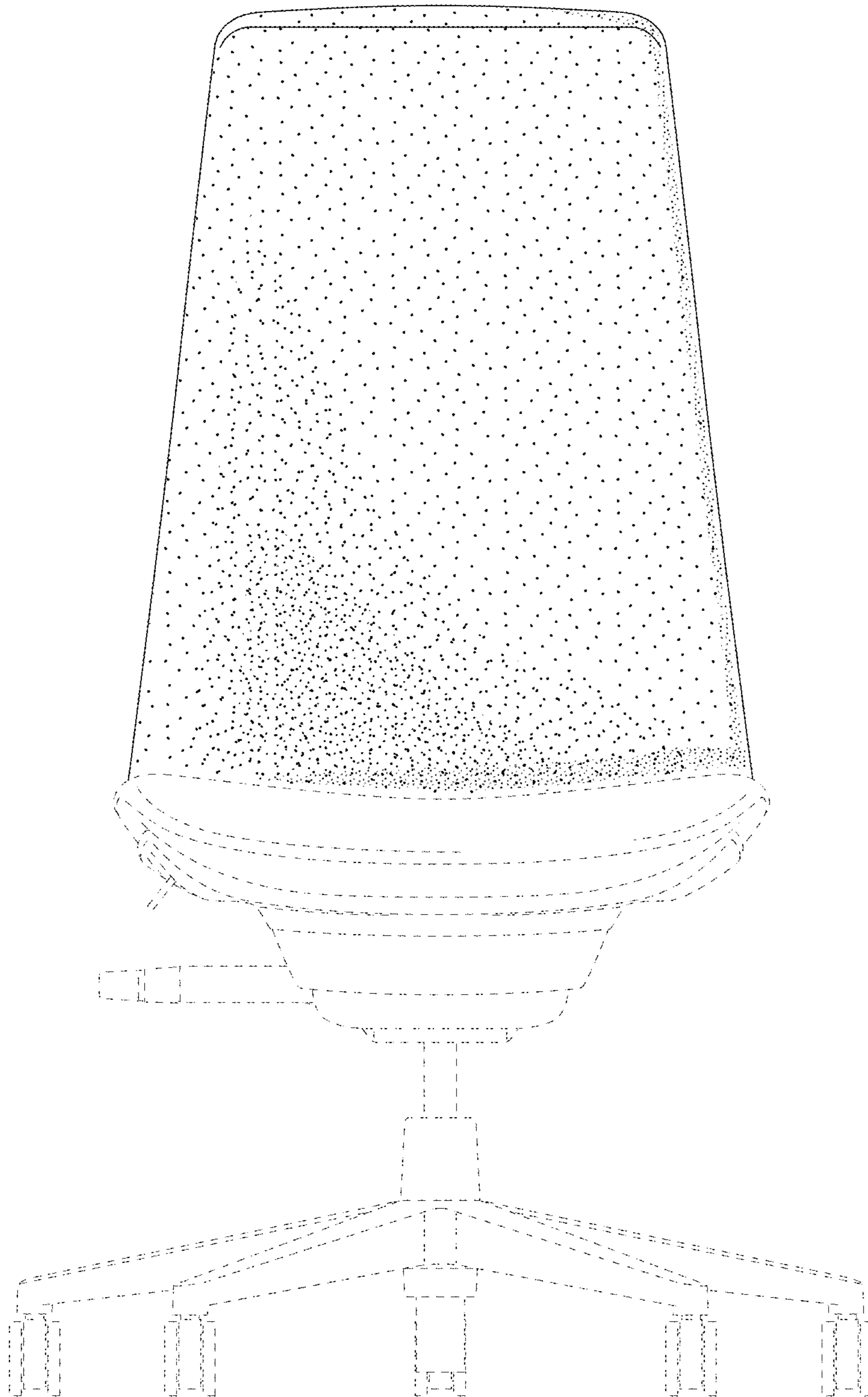


Fig. 5

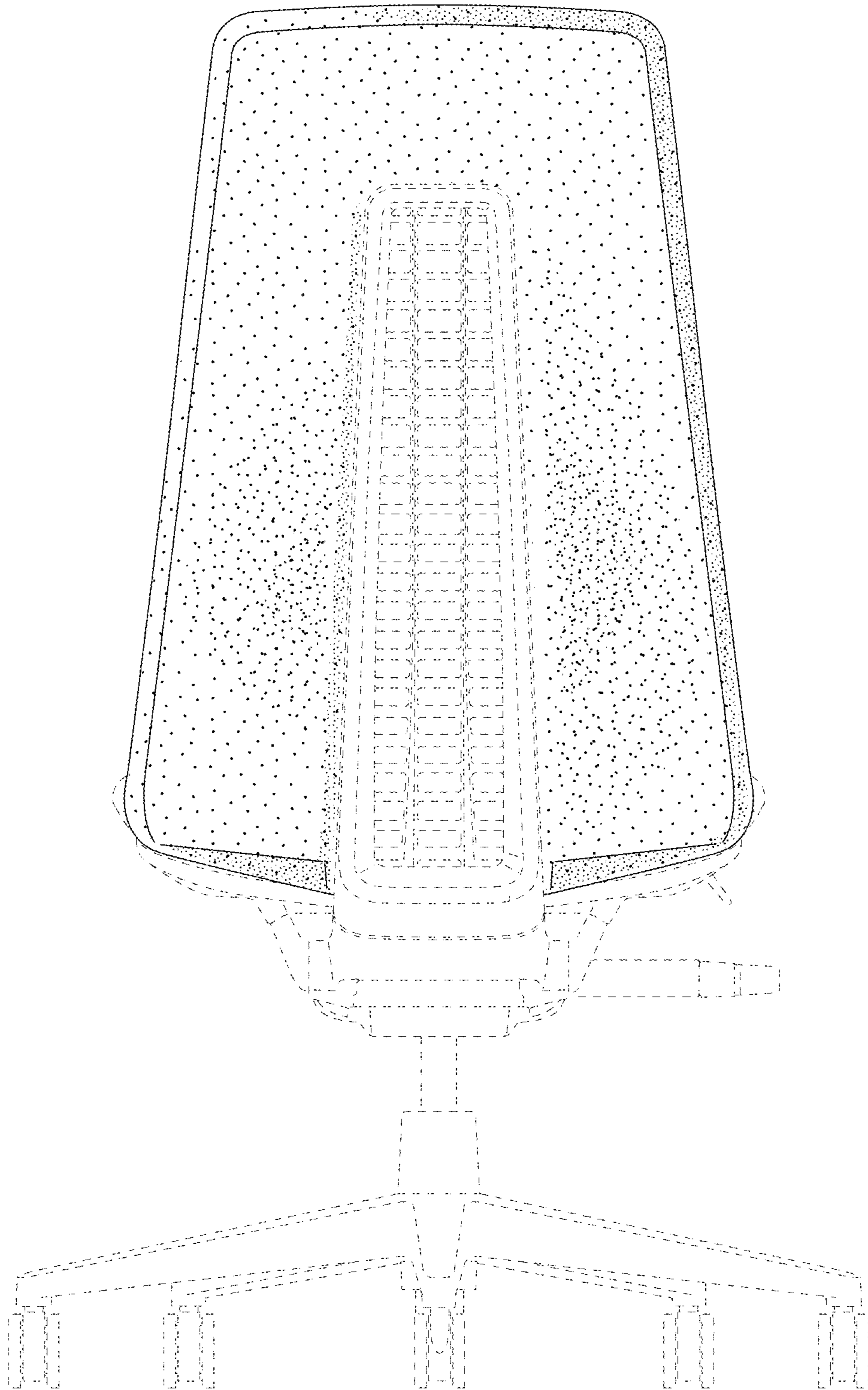


Fig. 6



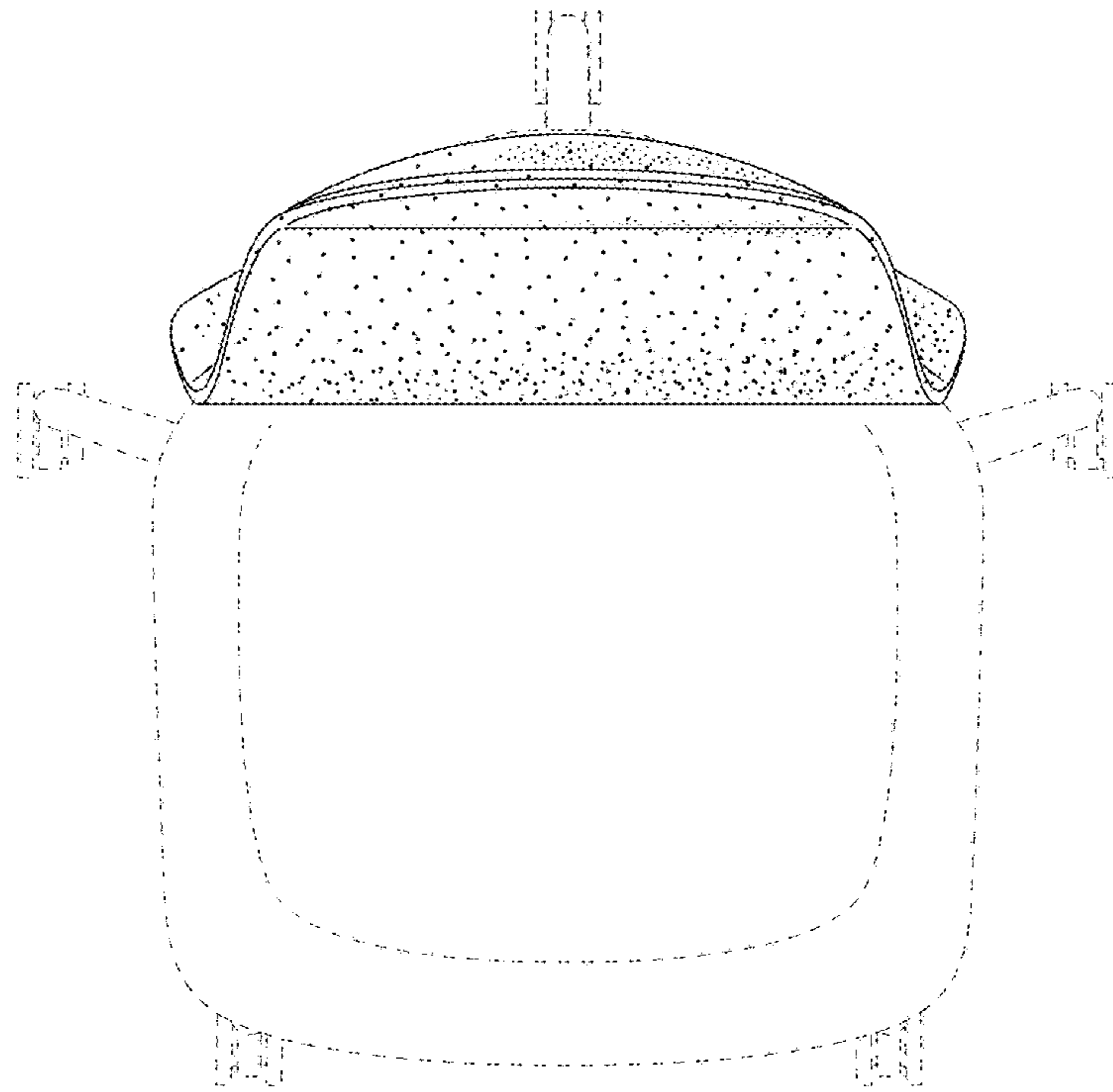


Fig. 7

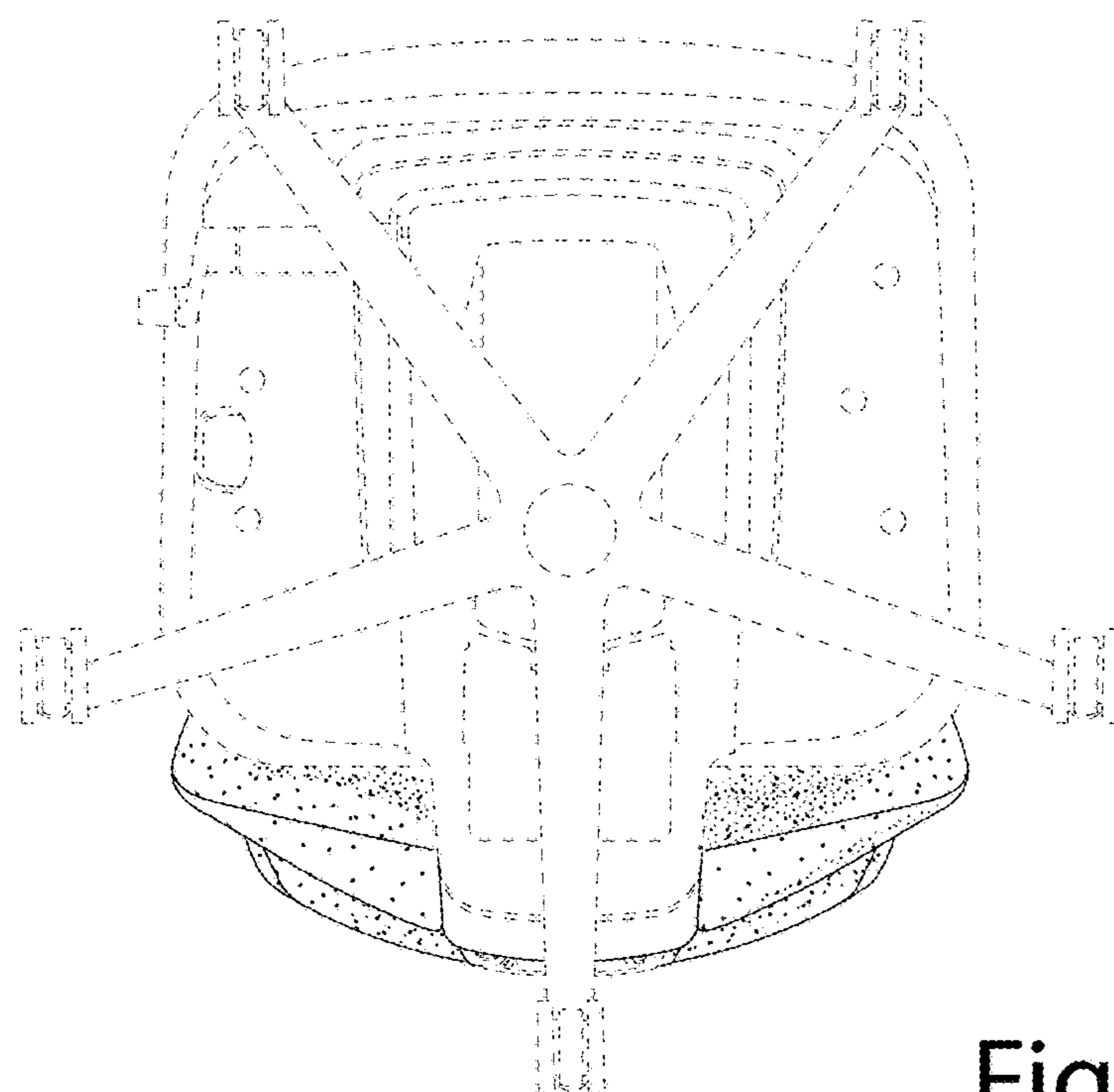


Fig. 8