



US00D779248S

(12) **United States Design Patent** (10) **Patent No.:** **US D779,248 S**  
**Welsh et al.** (45) **Date of Patent:** **\*\* Feb. 21, 2017**

- (54) **ARMRESTS FOR A CHAIR**
- (71) Applicant: **Haworth, Inc.**, Holland, MI (US)
- (72) Inventors: **Michael W. Welsh**, Rockford, MI (US);  
**Kyle R. Fleet**, Byron Center, MI (US);  
**Nicolai Czumaj-Bront**, Grand Rapids, MI (US); **Martin W. Potrykus**, Bamberg (DE); **Markus Berenwinkel**, Fuerth (DE); **Carlo Shayeb**, Nuremberg (DE)
- (73) Assignee: **Haworth, Inc.**, Holland, MI (US)
- (\*\*) Term: **15 Years**
- (21) Appl. No.: **29/554,574**
- (22) Filed: **Feb. 12, 2016**
- (51) **LOC (10) Cl.** ..... **06-01**
- (52) **U.S. Cl.**  
USPC ..... **D6/716.2**
- (58) **Field of Classification Search**  
USPC ..... D6/334-336, 366, 367, 369, 379, 380,  
D6/716, 716.1, 716.2, 716.4  
CPC ..... A47C 1/03; A47C 7/452; A47C 7/54;  
A47C 7/543; A47C 7/40; A47C  
7/16; A47C 7/022; A47C 7/282  
See application file for complete search history.

- 5,586,808 A 12/1996 Oelke
  - 5,645,321 A 7/1997 Seroldi
  - 5,826,937 A 10/1998 Massara
  - 5,951,109 A 9/1999 Roslund et al.
  - 5,988,757 A 11/1999 Vishey et al.
  - D461,076 S \* 8/2002 Lee ..... D6/366
- (Continued)

FOREIGN PATENT DOCUMENTS

- CN 2168479 6/1994
  - CN 1331940 1/2002
- (Continued)

OTHER PUBLICATIONS

International Search Report and Written Opinion dated Jul. 29, 2014, International Application No. PCT/US2014/028161.

Primary Examiner — Mimoso De

(74) *Attorney, Agent, or Firm* — Warner Norcross & Judd LLP

(57) **CLAIM**

The ornamental design for a armrests for a chair, as shown and described.

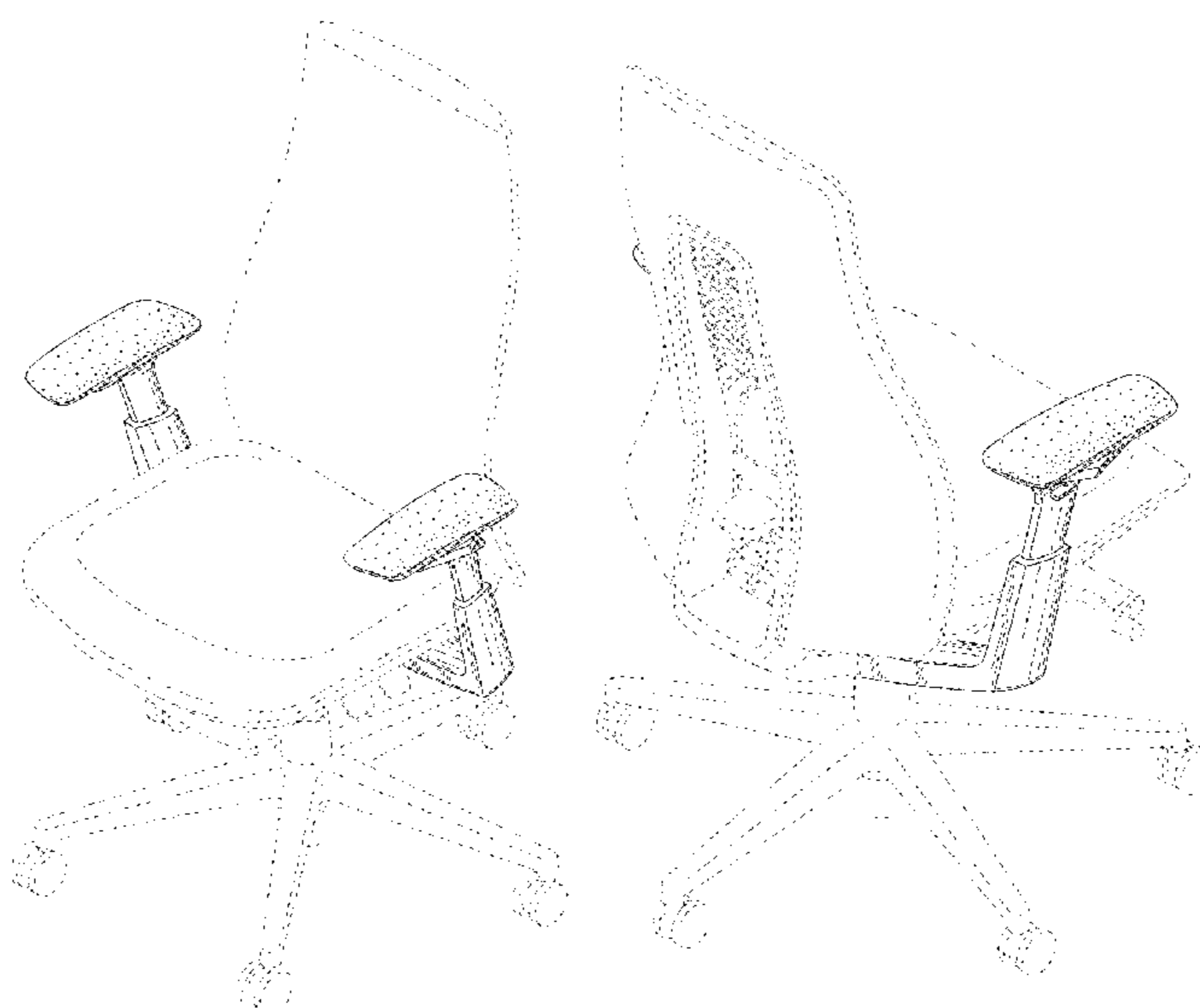
**DESCRIPTION**

FIG. 1 is a perspective view of the armrests for a chair embodying the new design;  
 FIG. 2 is a rear perspective view thereof;  
 FIG. 3 is a right side view thereof;  
 FIG. 4 is a left side view thereof;  
 FIG. 5 is a front view thereof;  
 FIG. 6 is a rear view thereof;  
 FIG. 7 is a top view thereof; and,  
 FIG. 8 is a bottom view thereof.  
 FIGS. 1-8 show portions of a chair in broken lines. The portions shown in broken lines are for environmental purposes only and form no part of the claimed design.

**1 Claim, 7 Drawing Sheets**

(56) **References Cited**  
U.S. PATENT DOCUMENTS

- 3,353,869 A 11/1967 Getz et al.
- 3,476,169 A 11/1969 Militano
- 4,049,315 A 9/1977 Jacobson
- 4,408,800 A 10/1983 Knapp
- 4,556,254 A 12/1985 Roberts
- 4,658,807 A 4/1987 Swain
- 4,744,603 A 5/1988 Knoblock
- 5,320,410 A 6/1994 Faiks et al.
- 5,403,067 A 4/1995 Rajaratnam



(56)

**References Cited**

U.S. PATENT DOCUMENTS

|              |      |         |                  |                         |
|--------------|------|---------|------------------|-------------------------|
| 6,572,190    | B2   | 6/2003  | Koepke et al.    |                         |
| 6,802,566    | B2 * | 10/2004 | Prince .....     | A47C 1/03<br>297/411.27 |
| D500,218     | S *  | 12/2004 | Koepke .....     | D6/366                  |
| D506,336     | S *  | 6/2005  | Bock .....       | D6/366                  |
| 6,910,736    | B2   | 6/2005  | White            |                         |
| 6,971,717    | B1   | 12/2005 | Rhodes           |                         |
| 7,032,971    | B2   | 4/2006  | Williams         |                         |
| D535,131     | S *  | 1/2007  | Loew .....       | D6/366                  |
| D535,505     | S *  | 1/2007  | Cai .....        | D6/366                  |
| D571,568     | S *  | 6/2008  | Overthun .....   | D6/366                  |
| 7,396,438    | B2   | 7/2008  | Scobie           |                         |
| 7,909,402    | B2   | 3/2011  | Chu et al.       |                         |
| 8,622,472    | B2   | 1/2014  | Rajaratnam       |                         |
| D714,070     | S *  | 9/2014  | Cvek .....       | D6/366                  |
| D733,445     | S *  | 7/2015  | Izawa .....      | D6/366                  |
| 9,084,487    | B1 * | 7/2015  | Su .....         | A47C 1/03               |
| 2001/0008955 | A1   | 7/2001  | Garth            |                         |
| 2002/0130540 | A1   | 9/2002  | Rajasingham      |                         |
| 2004/0007910 | A1   | 1/2004  | Skelly           |                         |
| 2004/0104610 | A1   | 6/2004  | Jaskot et al.    |                         |
| 2004/0256899 | A1   | 12/2004 | Moore et al.     |                         |
| 2006/0103214 | A1   | 5/2006  | Andersson et al. |                         |
| 2006/0181126 | A1   | 8/2006  | Eysing           |                         |
| 2006/0255635 | A1   | 11/2006 | Iijima et al.    |                         |
| 2007/0102987 | A1   | 5/2007  | Chen             |                         |
| 2009/0102268 | A1   | 4/2009  | Schmitz et al.   |                         |

|              |    |         |                  |
|--------------|----|---------|------------------|
| 2009/0261644 | A1 | 10/2009 | Piretti          |
| 2010/0187882 | A1 | 7/2010  | Chen             |
| 2012/0061988 | A1 | 3/2012  | Jaranson et al.  |
| 2012/0299350 | A1 | 11/2012 | Willingham       |
| 2013/0221724 | A1 | 8/2013  | Fowler           |
| 2014/0062154 | A1 | 3/2014  | Minino et al.    |
| 2014/0117738 | A1 | 5/2014  | Takahashi et al. |
| 2014/0183914 | A1 | 7/2014  | Cvek             |

FOREIGN PATENT DOCUMENTS

|    |              |         |
|----|--------------|---------|
| CN | 1470420      | 1/2004  |
| CN | 1564666      | 1/2005  |
| CN | 1575142      | 2/2005  |
| CN | 101715310    | 5/2010  |
| DE | 102007002284 | 7/2008  |
| DE | 102008009509 | 8/2009  |
| DE | 102011100708 | 11/2012 |
| EP | 1232703      | 8/2002  |
| EP | 1693248      | 8/2006  |
| EP | 1785070      | 5/2007  |
| EP | 1911374      | 4/2008  |
| EP | 1946676      | 7/2008  |
| WO | 9212654      | 8/1992  |
| WO | 9848670      | 11/1998 |
| WO | 9848671      | 11/1998 |
| WO | 0022961      | 4/2000  |
| WO | 03063651     | 8/2003  |
| WO | 20120167940  | 12/2012 |

\* cited by examiner

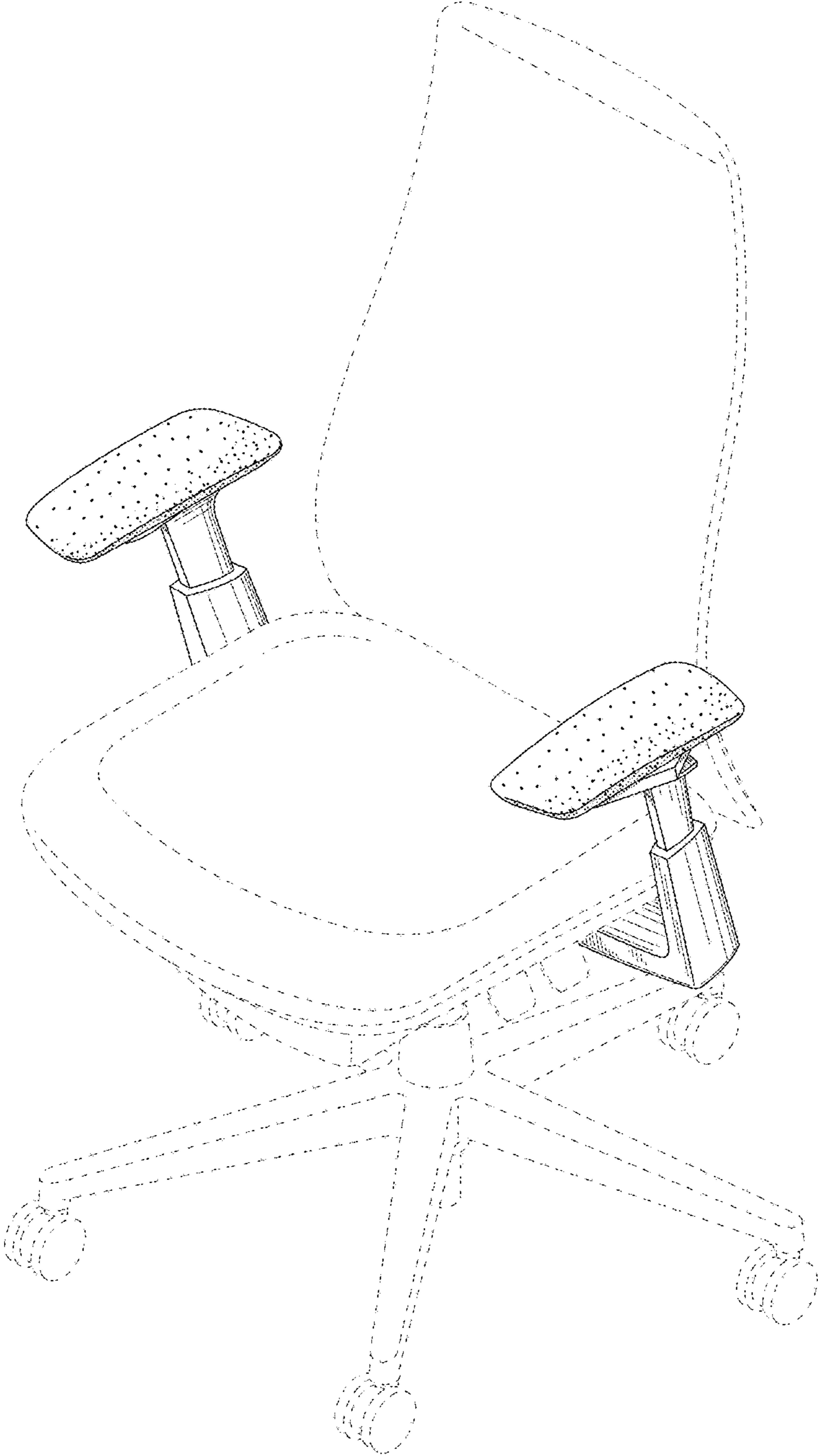


Fig. 1

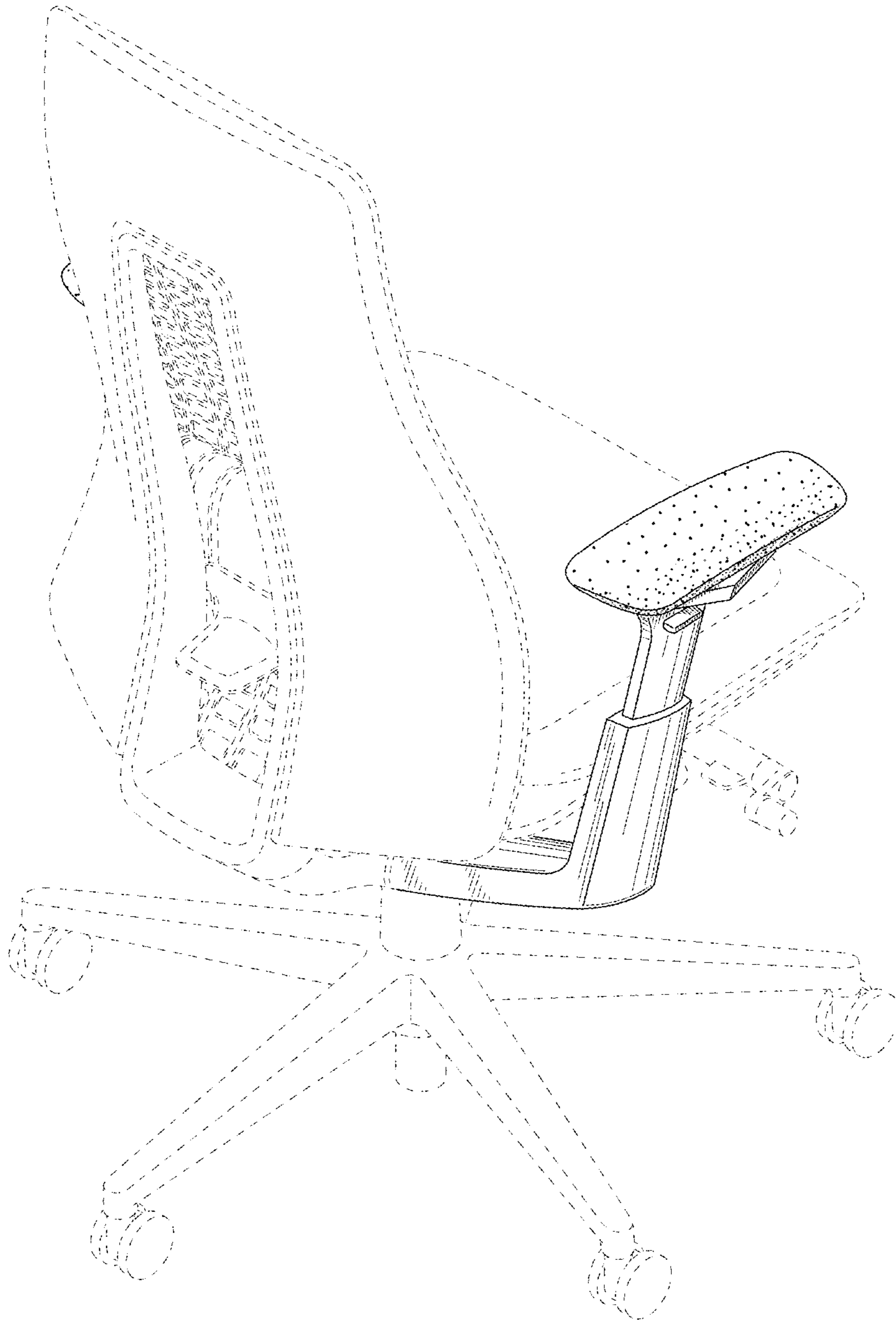


Fig. 2

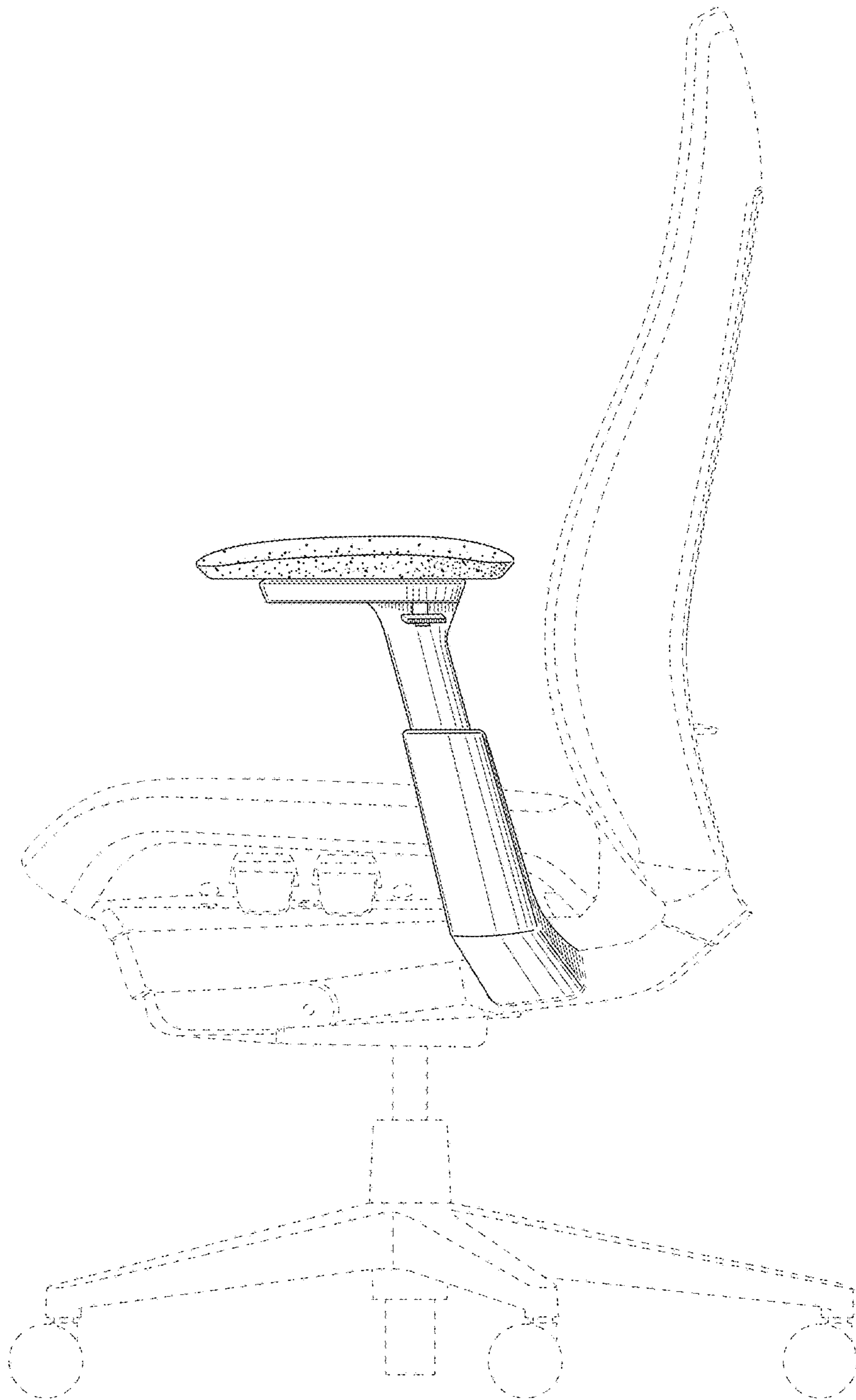


Fig. 3

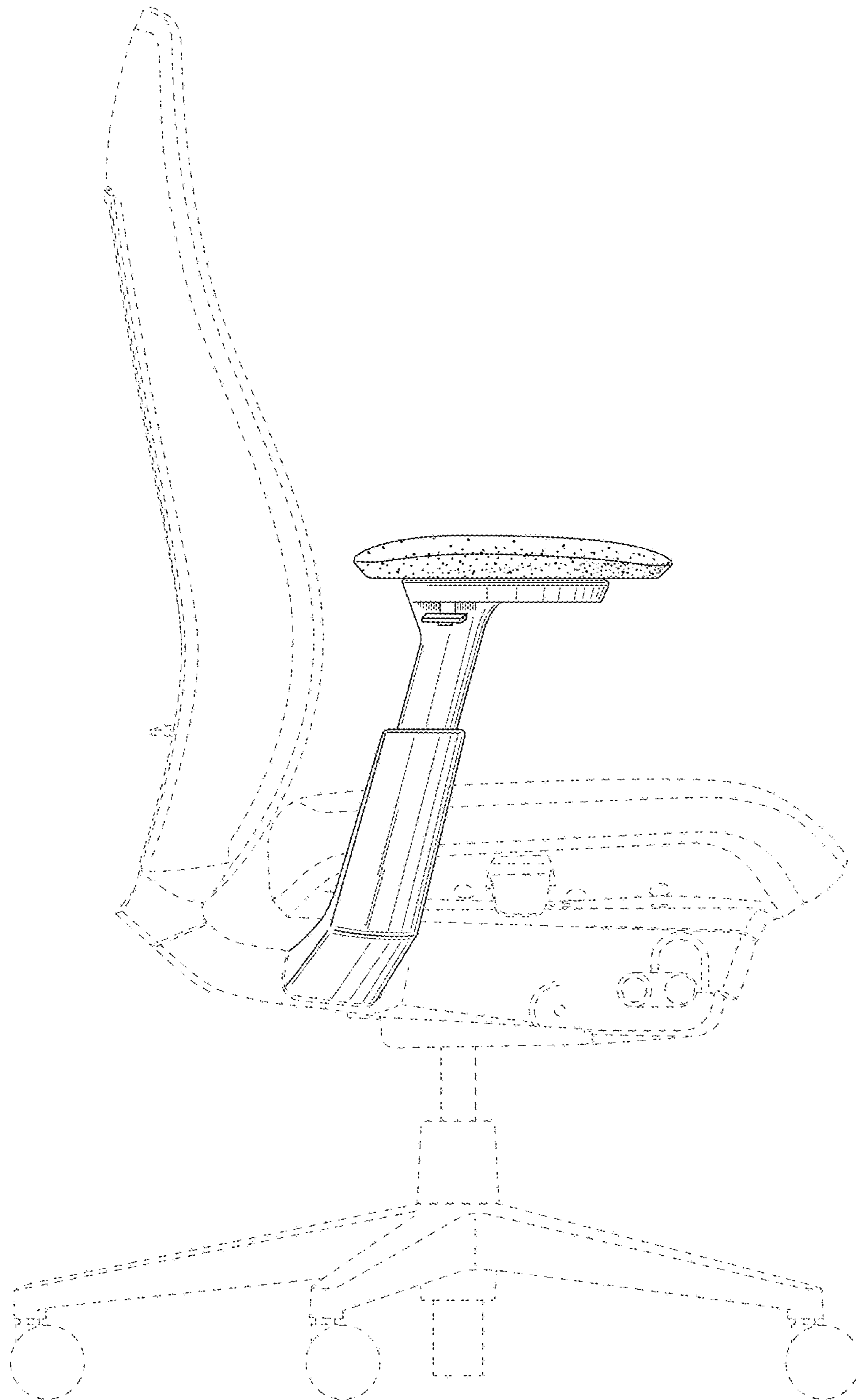


Fig. 4

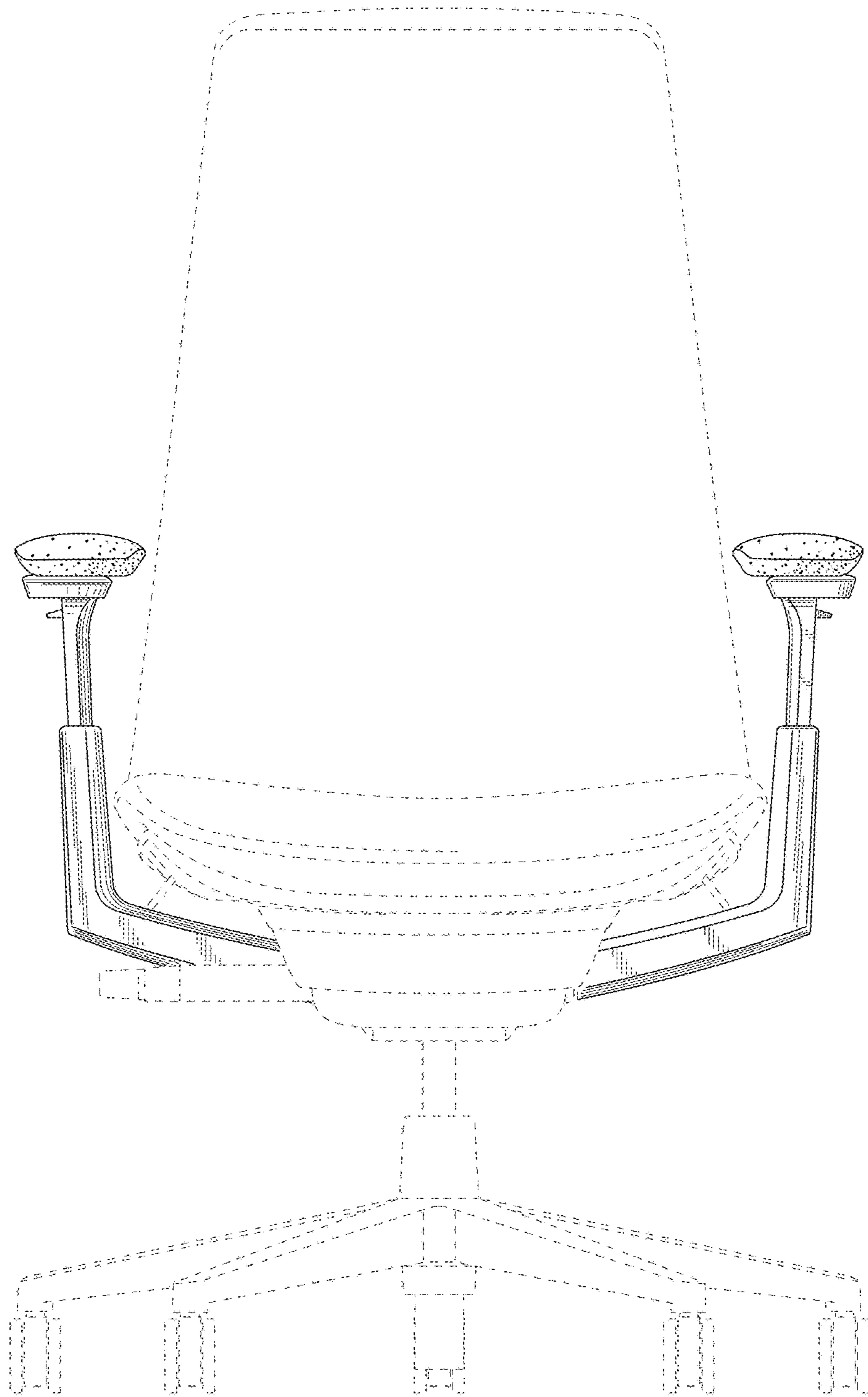


Fig. 5

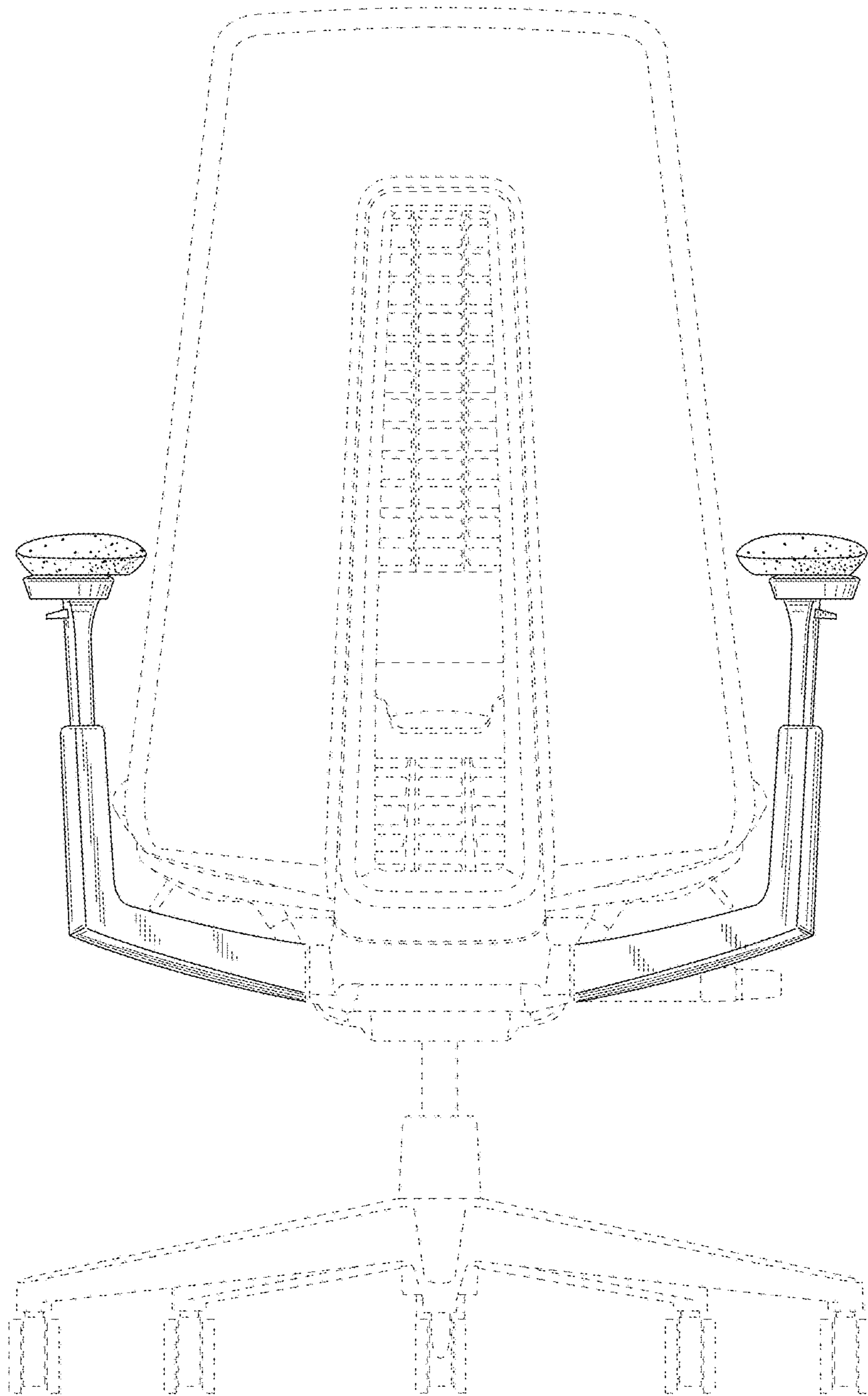


Fig. 6



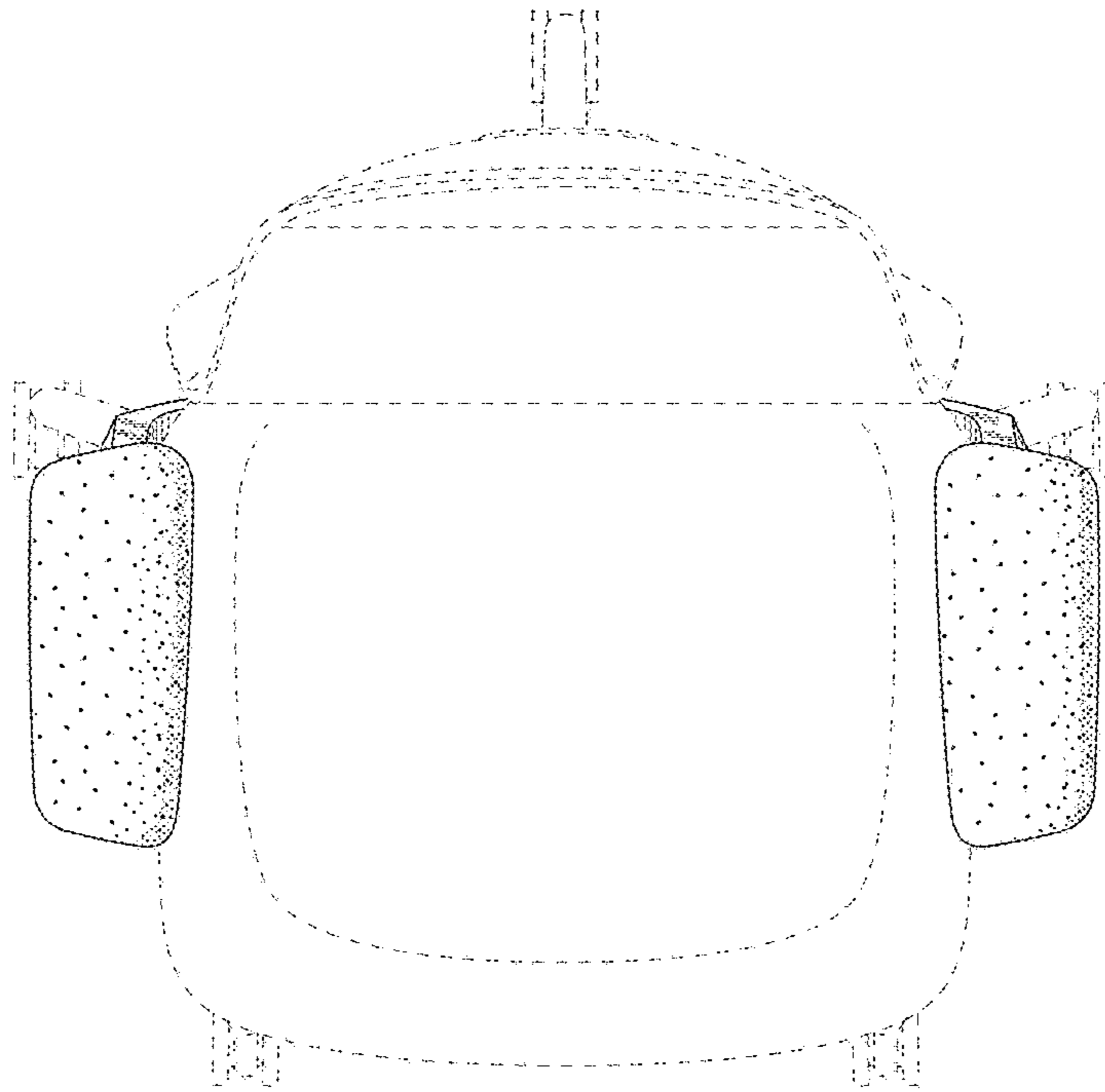


Fig. 7

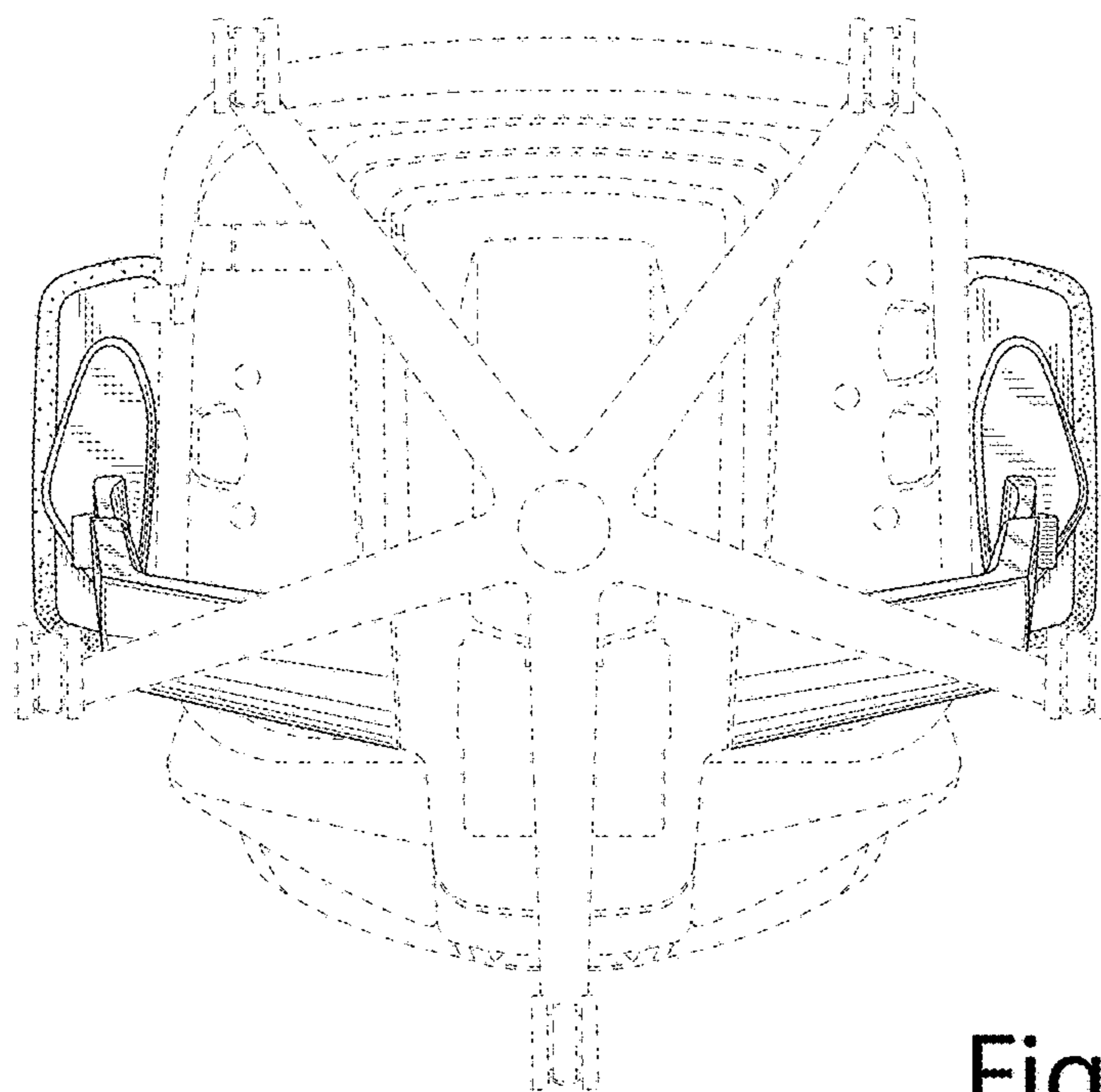


Fig. 8