



US00D779245S

(12) **United States Design Patent**  
**Hiyoshi et al.**

(10) **Patent No.:** **US D779,245 S**  
(45) **Date of Patent:** **\*\* Feb. 21, 2017**

- (54) **FURNITURE BASE**
- (71) Applicant: **Steelcase Inc.**, Grand Rapids, MI (US)
- (72) Inventors: **Yuka Hiyoshi**, Grand Rapids, MI (US);  
**Mark McKenna**, East Grand Rapids,  
MI (US); **Joseph Iacovoni**, Caledonia,  
MI (US)
- (73) Assignee: **Steelcase Inc.**, Grand Rapids, MI (US)
- (\*\*) Term: **15 Years**
- (21) Appl. No.: **29/579,127**
- (22) Filed: **Sep. 28, 2016**
- (51) **LOC (10) Cl.** ..... **06-04**
- (52) **U.S. Cl.**  
USPC ..... **D6/708**
- (58) **Field of Classification Search**  
USPC ..... D6/708, 708.16, 691, 691.6, 692, 692.4  
CPC ..... A47B 13/00; A47B 13/02; A47B 13/06;  
A47B 13/021; A47B 2200/0011; A47B  
2200/0016; A47B 7/00  
See application file for complete search history.

D655,952 S	3/2012	McCurry	
D659,441 S	5/2012	Arko et al.	
D676,683 S	2/2013	Martin et al.	
D683,556 S	6/2013	Stromborg	
D696,542 S	12/2013	Stromborg	
D716,596 S *	11/2014	Pedersen .....	D6/708
D744,268 S *	12/2015	Polidoros .....	D6/708.16
D754,996 S *	5/2016	Pedersen .....	D6/708.16
D764,848 S *	8/2016	Gill .....	D6/708
2012/0000402 A1 *	1/2012	Jimenez Mangas ...	A47B 13/02 108/159.11
2013/0220188 A1 *	8/2013	Wei Siao .....	A47B 13/02 108/158.11
2015/0083870 A1 *	3/2015	Steelman .....	F16B 12/44 248/121
2015/0282605 A1 *	10/2015	Wu .....	A47B 3/002 248/188.2

\* cited by examiner

*Primary Examiner* — Robin V Webster  
*Assistant Examiner* — James Thorn, Sr.

(57) **CLAIM**

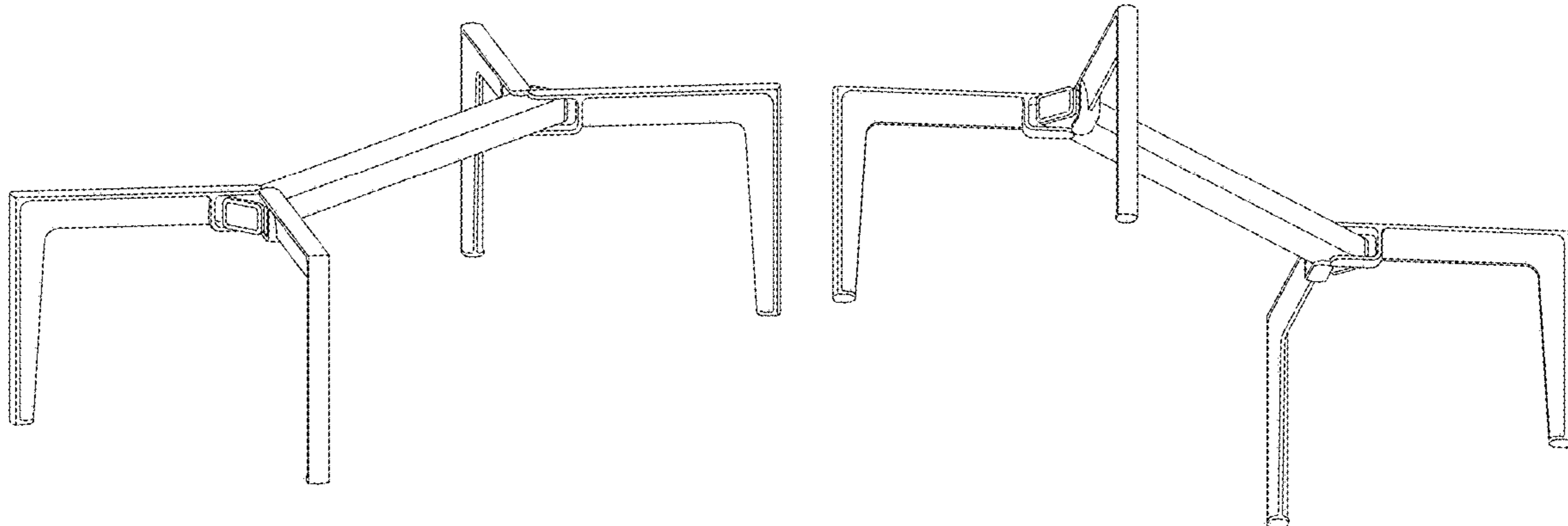
The ornamental design for a furniture base, as shown and described.

**DESCRIPTION**

FIG. 1 is a front perspective view of a furniture base;  
FIG. 2 is a bottom perspective view of the furniture base of FIG. 1;  
FIG. 3 is as front view of the furniture base of FIG. 1;  
FIG. 4 is a rear view of the furniture base of FIG. 1;  
FIG. 5 is a left side view of the furniture base of FIG. 1;  
FIG. 6. is a right side view of the furniture base of FIG. 1;  
FIG. 7 is a top view of the furniture base of FIG. 1; and,  
FIG. 8 is a bottom view of the furniture base of FIG. 1.

**1 Claim, 8 Drawing Sheets**

- (56) **References Cited**  
U.S. PATENT DOCUMENTS
- D278,577 S 4/1985 Gwathmey et al.
- D288,880 S \* 3/1987 Favaretto ..... D6/691
- D299,196 S 1/1989 Frinier
- D342,166 S 12/1993 Heidmann
- D345,476 S 3/1994 Burdick et al.
- D386,331 S \* 11/1997 Grosfillex ..... D6/708
- D588,845 S \* 3/2009 Lovegrove ..... D6/708.16
- D588,847 S \* 3/2009 Lovegrove ..... D6/708.16
- D591,539 S 5/2009 Bracher



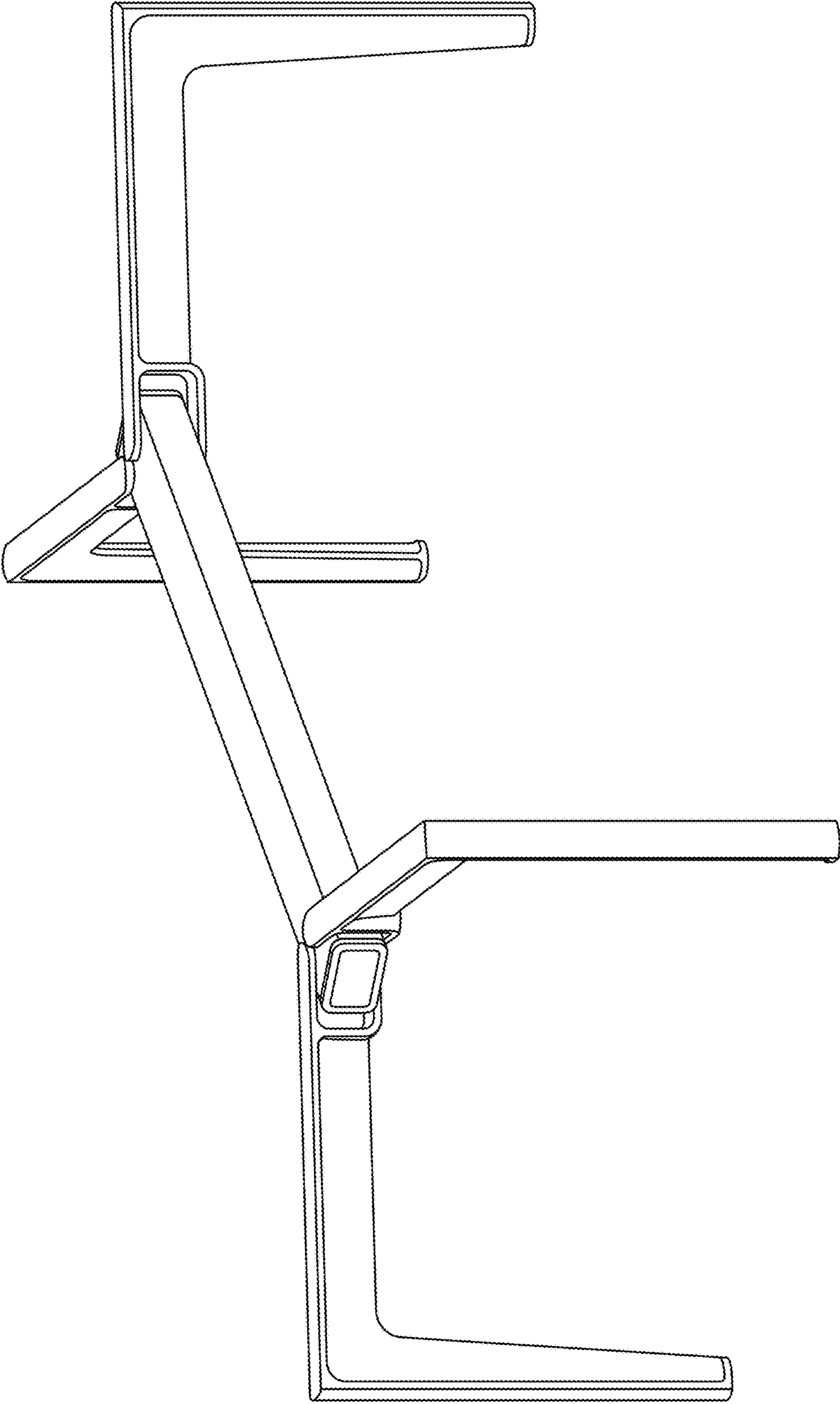


FIG. 1

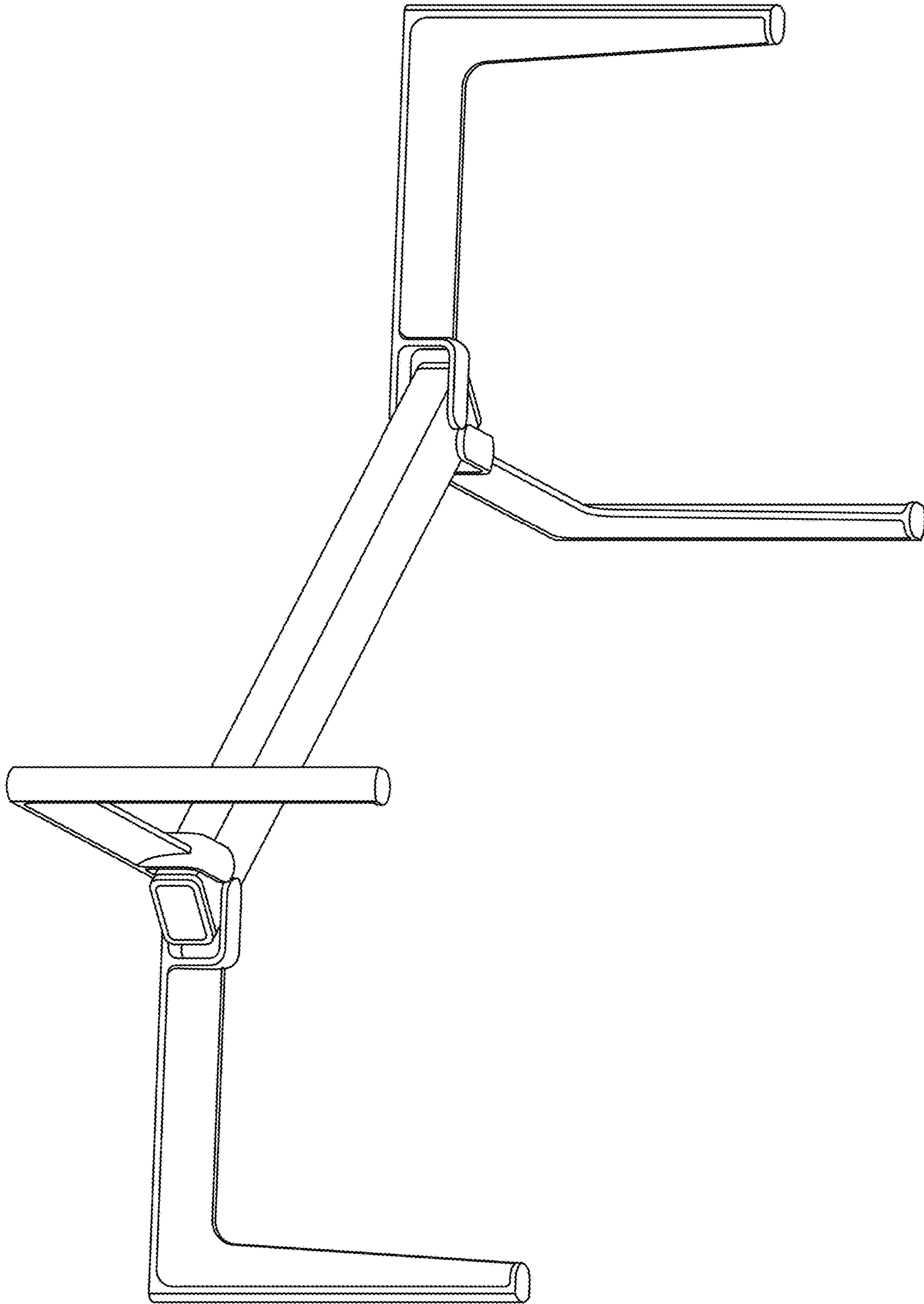


FIG. 2

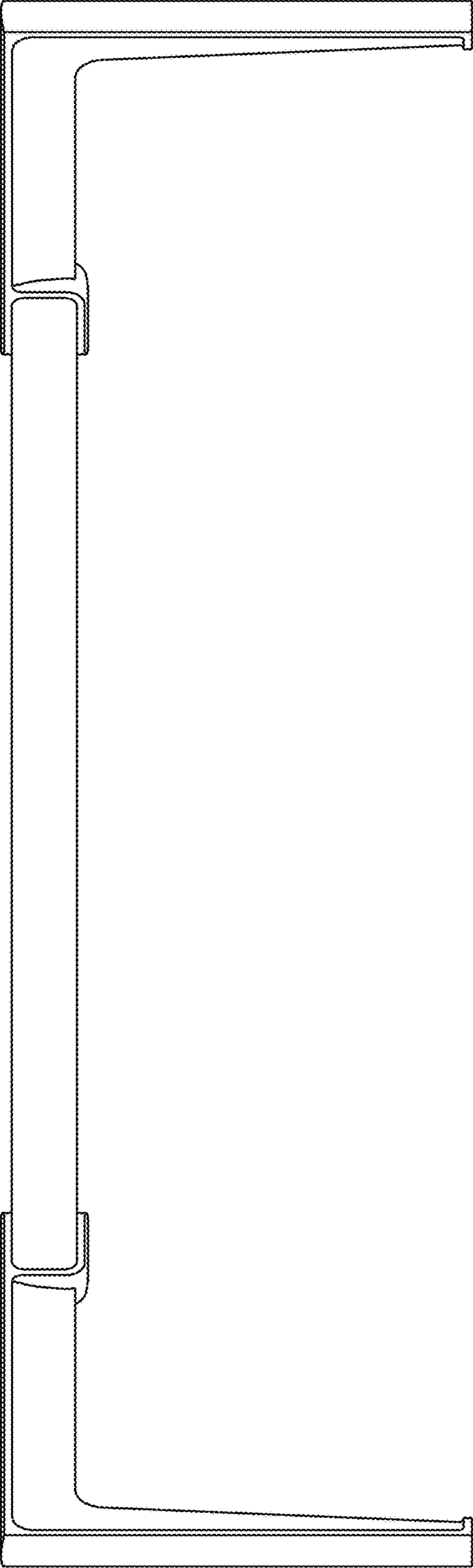


FIG. 3

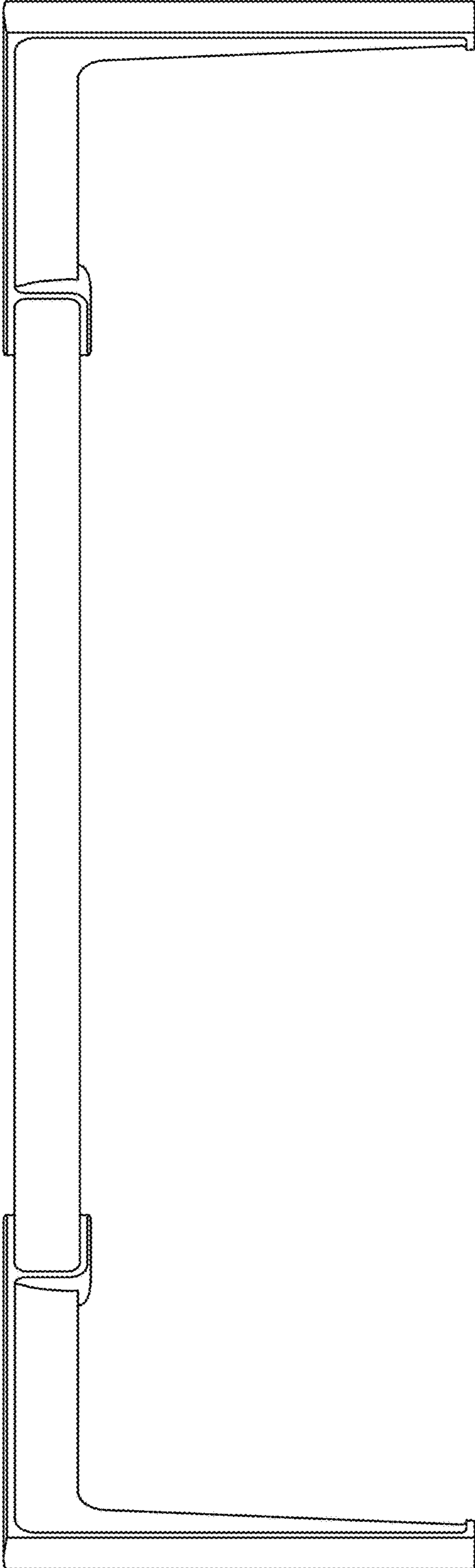


FIG. 4

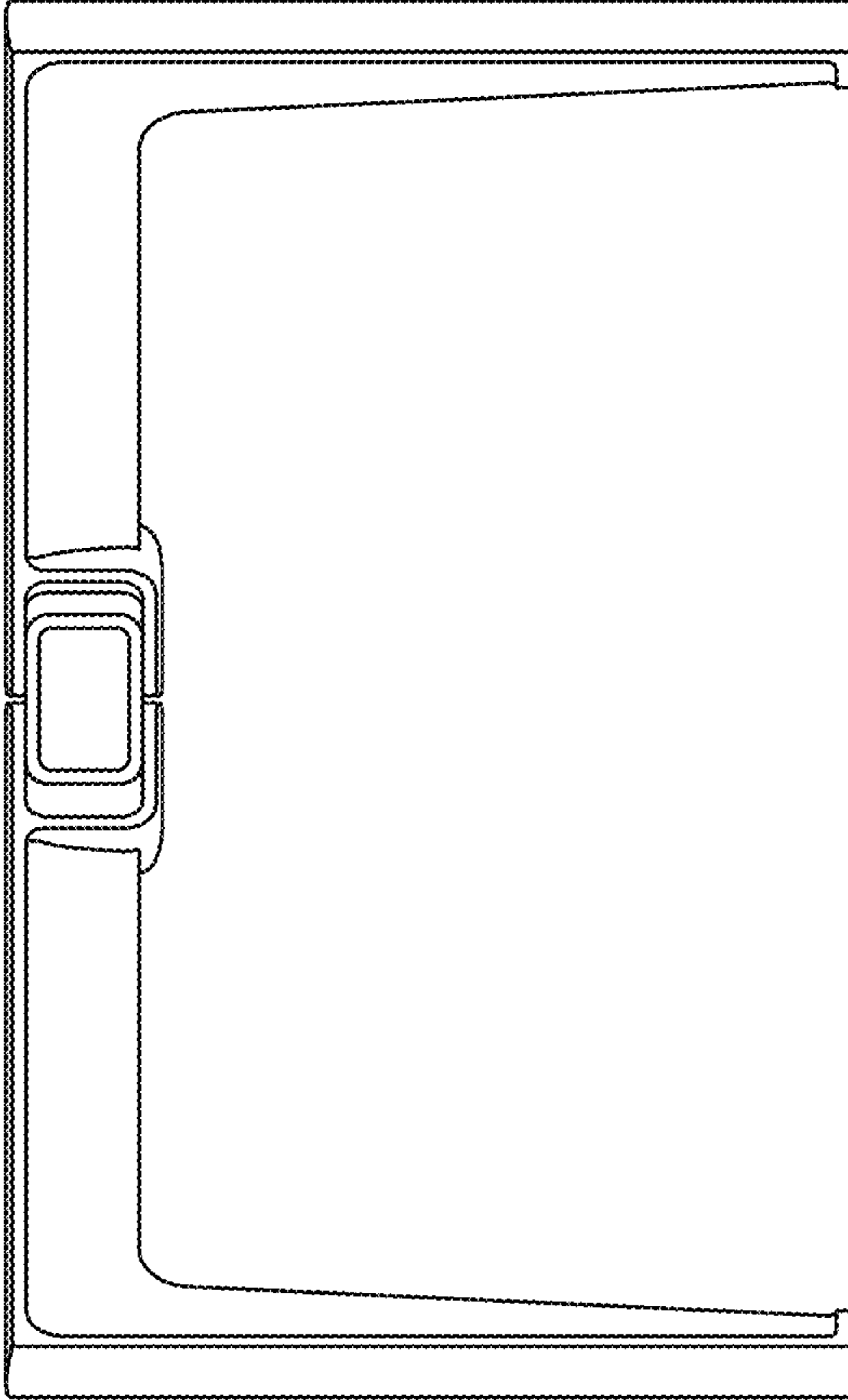


FIG. 5

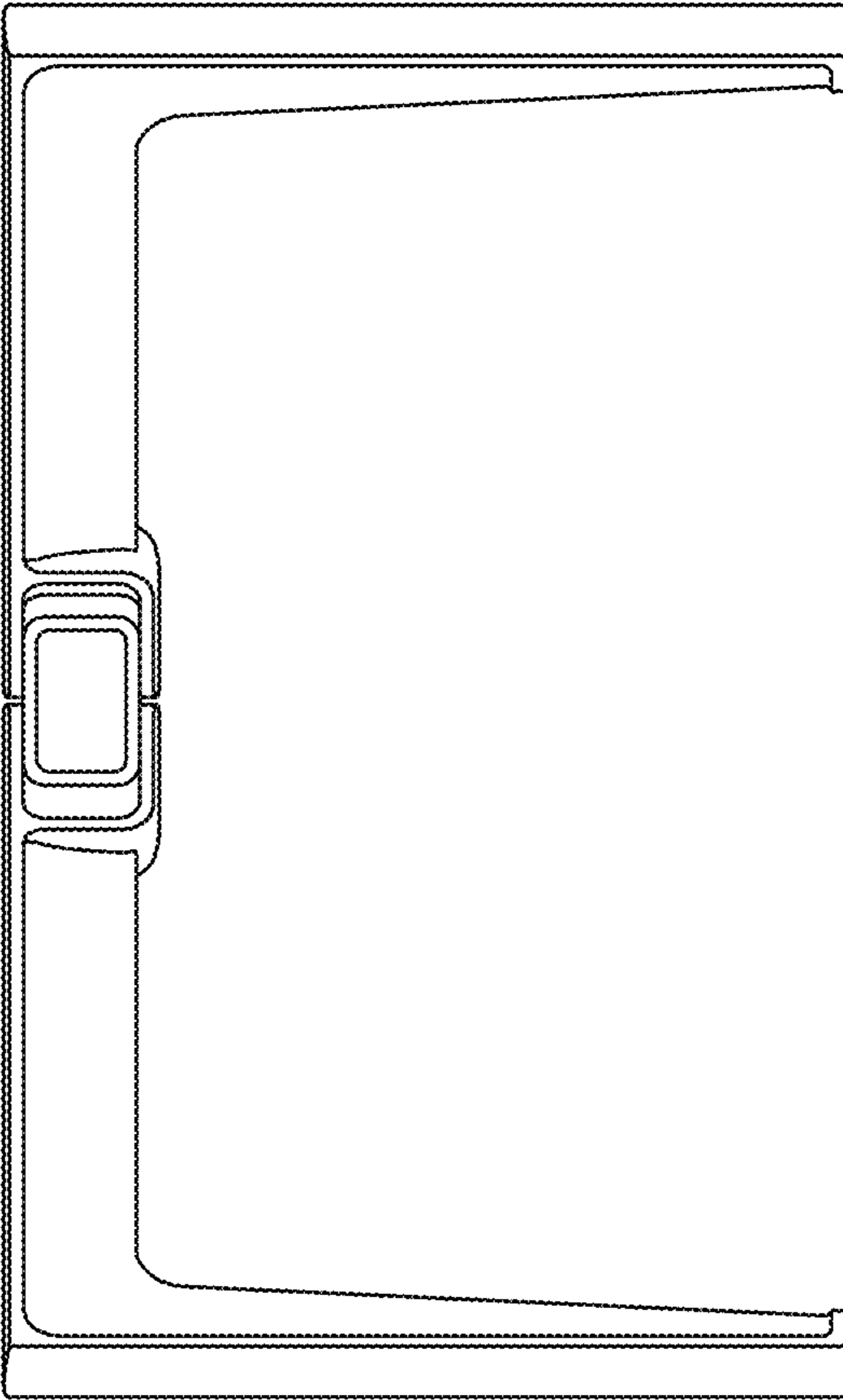


FIG. 6

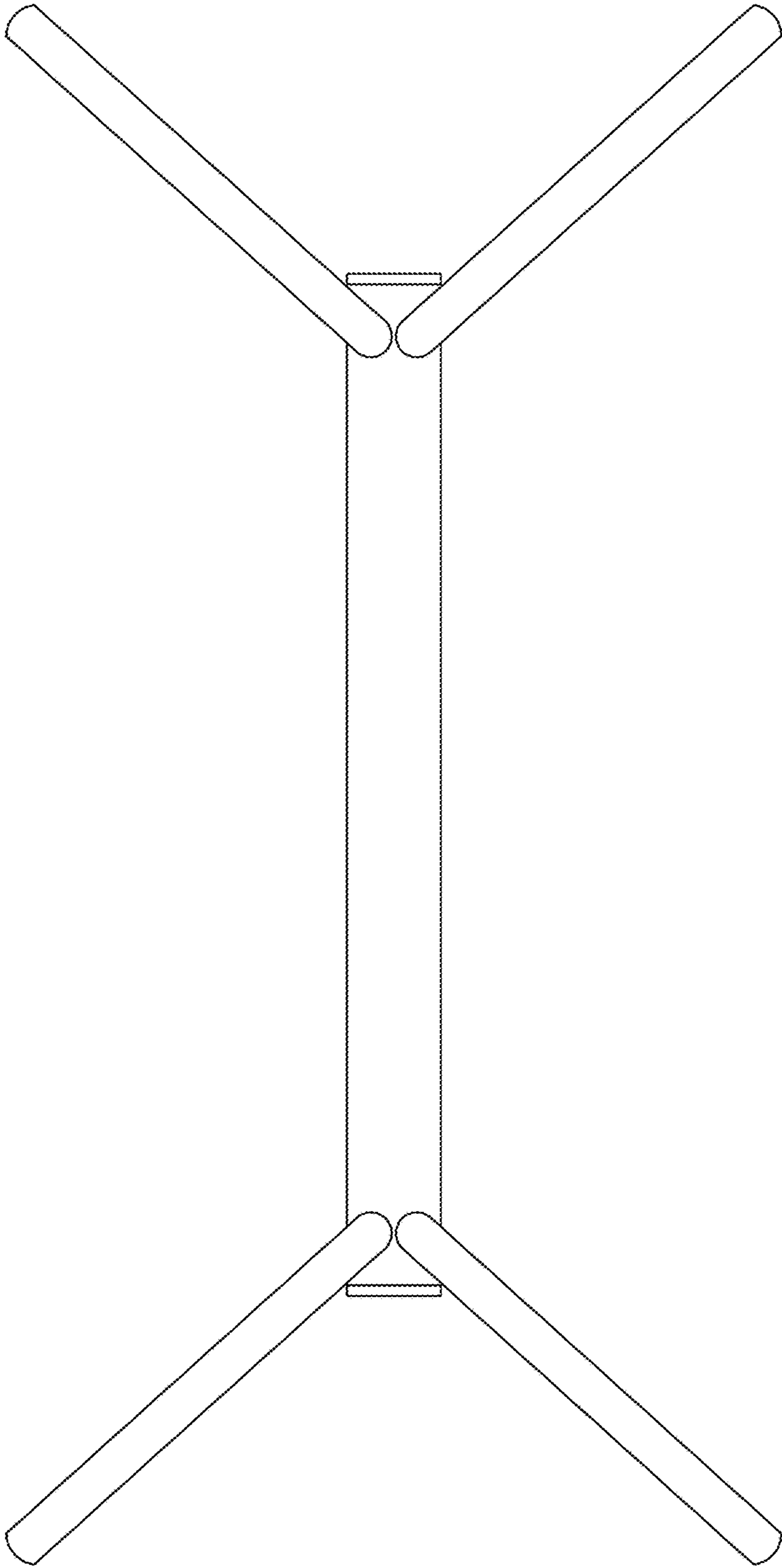


FIG. 7



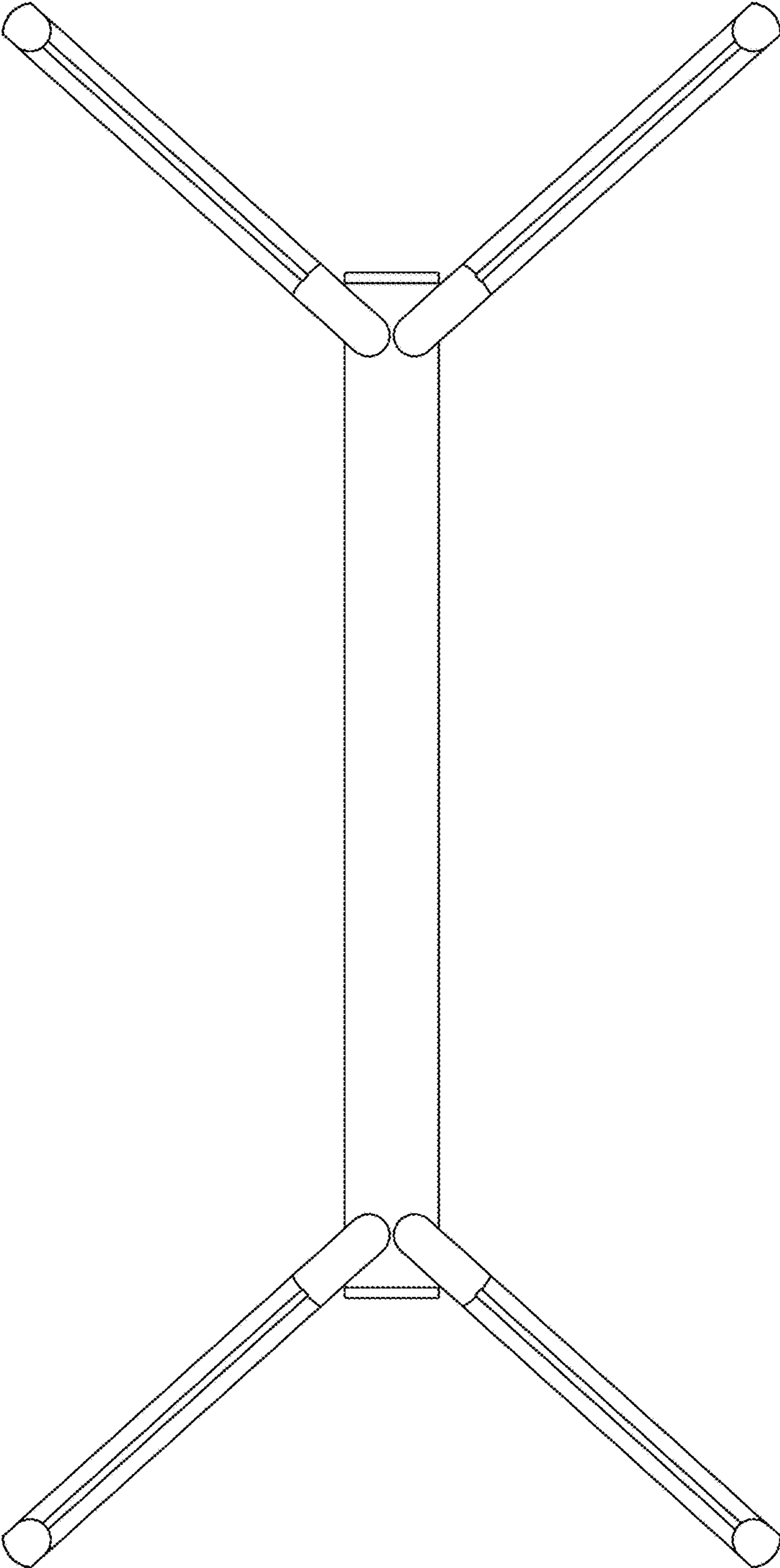


FIG. 8