



US00D779242S

(12) **United States Design Patent** (10) **Patent No.:** **US D779,242 S**  
**Kacin et al.** (45) **Date of Patent:** **\*\* Feb. 21, 2017**

(54) **WRISTWATCH DISPLAY STAND**  
(71) Applicant: **LARC Networks, Inc.**, Los Altos, CA (US)  
(72) Inventors: **Martin Kacin**, Los Altos Hills, CA (US); **Michael R. Gray**, Dublin, OH (US)  
(73) Assignee: **LARC Networks, Inc.**, Los Altos, CA (US)  
(\*\*) Term: **15 Years**  
(21) Appl. No.: **29/536,178**  
(22) Filed: **Aug. 13, 2015**  
(51) **LOC (10) Cl.** ..... **06-06**  
(52) **U.S. Cl.**  
USPC ..... **D6/682.5**  
(58) **Field of Classification Search**  
USPC ... D6/682, 682.3, 682.5; D29/120.1; D2/610  
CPC ..... A47F 8/00; A47F 7/02; A45F 2005/008  
See application file for complete search history.

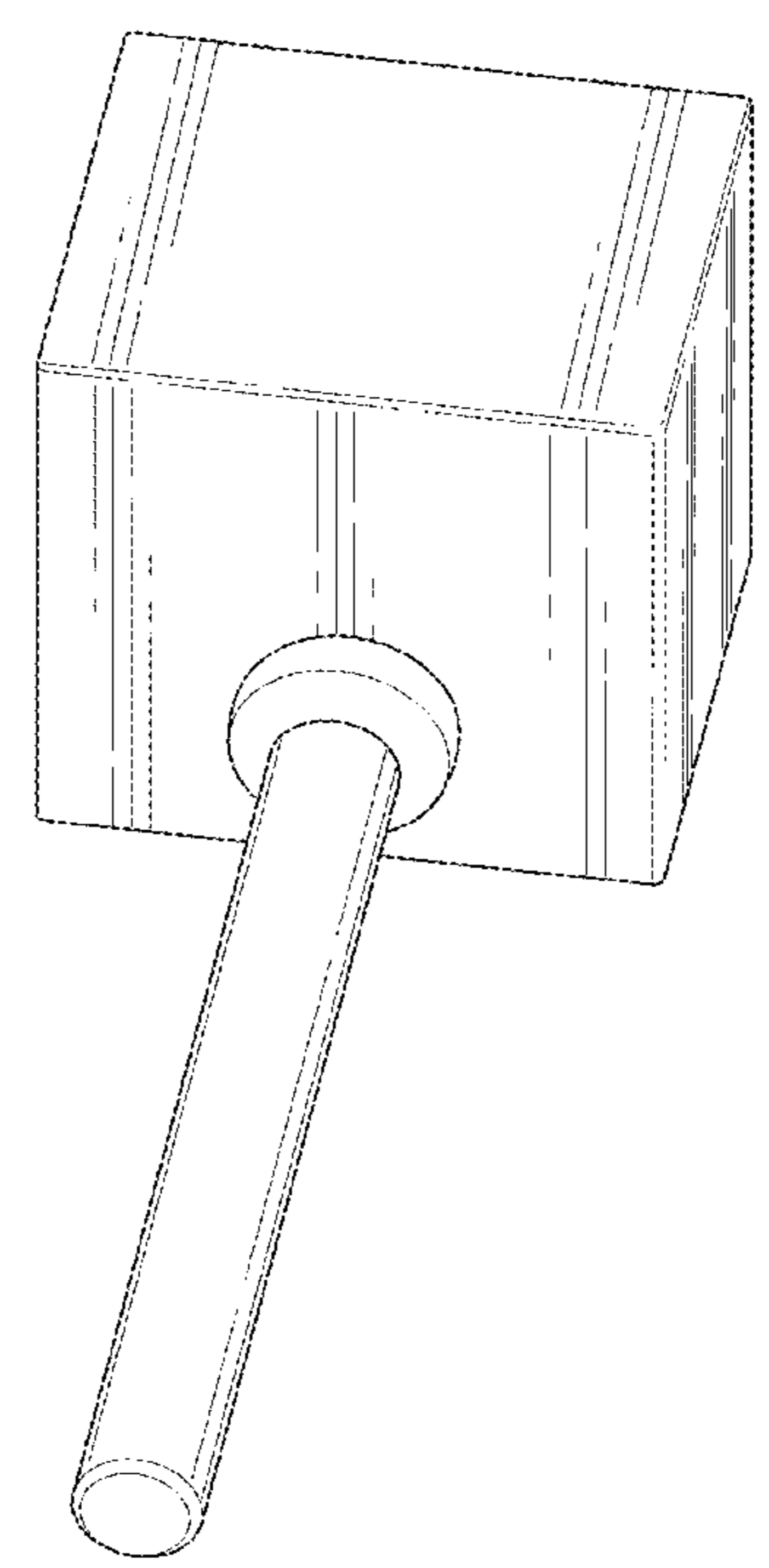
(56) **References Cited**  
U.S. PATENT DOCUMENTS  
D397,887 S \* 9/1998 Hawkersmith ..... D6/674  
D400,736 S \* 11/1998 Churchville ..... D7/701  
D559,472 S \* 1/2008 Abinanti ..... D30/129  
D615,962 S \* 5/2010 Lee ..... D14/188  
D681,647 S \* 5/2013 Choi ..... D14/451  
D688,672 S \* 8/2013 Seo ..... D14/451  
D702,244 S \* 4/2014 Seo ..... D14/451  
D704,716 S \* 5/2014 Ho ..... D14/451  
D707,993 S \* 7/2014 Grigonis, Jr. .... D6/675.3

D733,160 S \* 6/2015 Lee ..... D14/451  
\* cited by examiner  
*Primary Examiner* — Kelley Donnelly  
(74) *Attorney, Agent, or Firm* — Fenwick & West LLP

(57) **CLAIM**  
We claim the ornamental design for a wristwatch display stand, as shown and described.

**DESCRIPTION**  
FIG. 1 is a perspective view of a first embodiment of a wristwatch display stand.  
FIG. 2 is a left side view of a first embodiment of a wristwatch display stand.  
FIG. 3 is a right side view of a first embodiment of a wristwatch display stand.  
FIG. 4 is a front view of a first embodiment of a wristwatch display stand.  
FIG. 5 is a rear view of a first embodiment of a wristwatch display stand.  
FIG. 6 is a top view of a first embodiment of a wristwatch display stand.  
FIG. 7 is a bottom view of a first embodiment of a wristwatch display stand.  
FIG. 8 is a perspective view of a second embodiment of a wristwatch display stand; and,  
FIG. 9 is a perspective view of FIG. 8 shown with environment.  
The broken lines showing is included for the purpose of illustrating environment and forms no part of the claimed design.

**1 Claim, 8 Drawing Sheets**



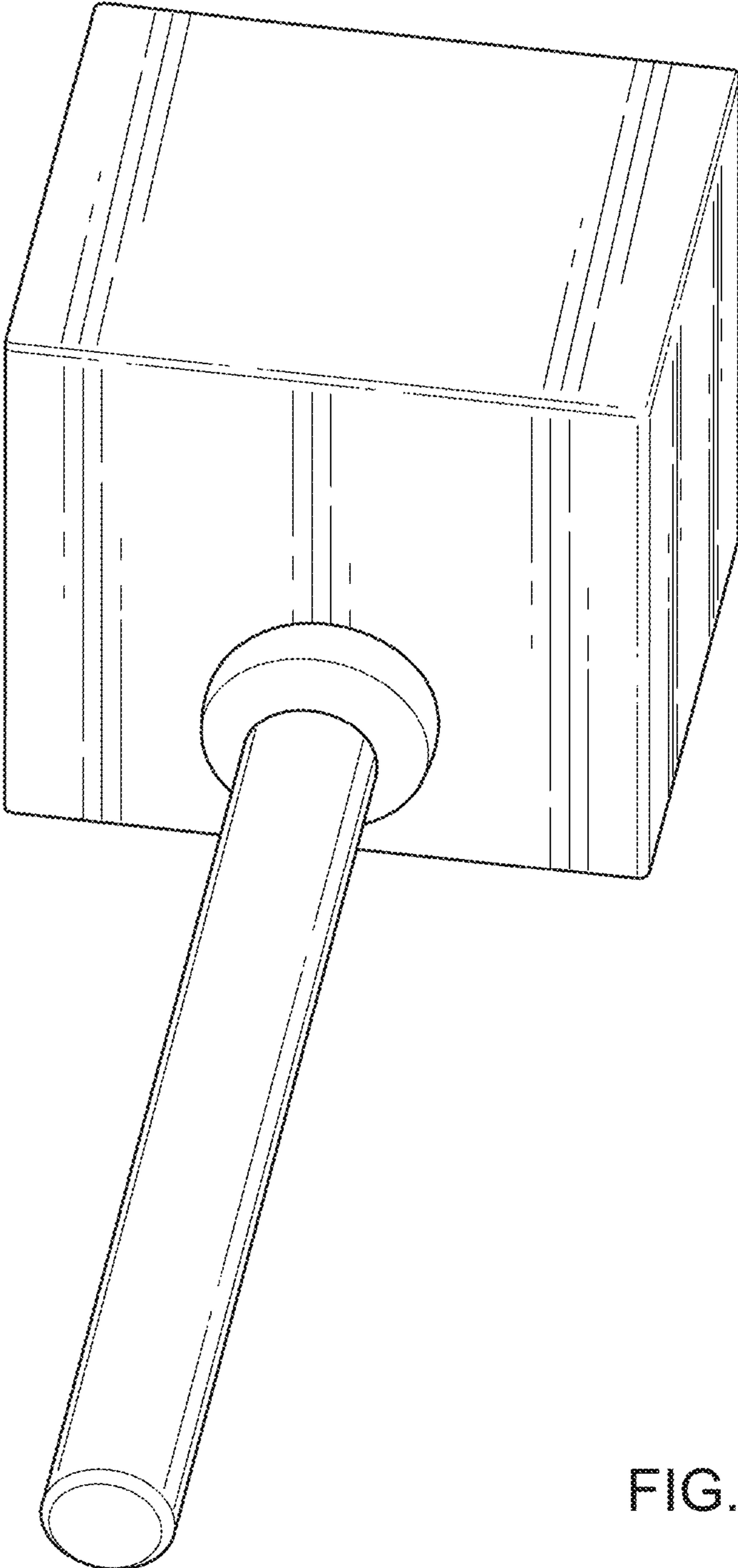


FIG. 1

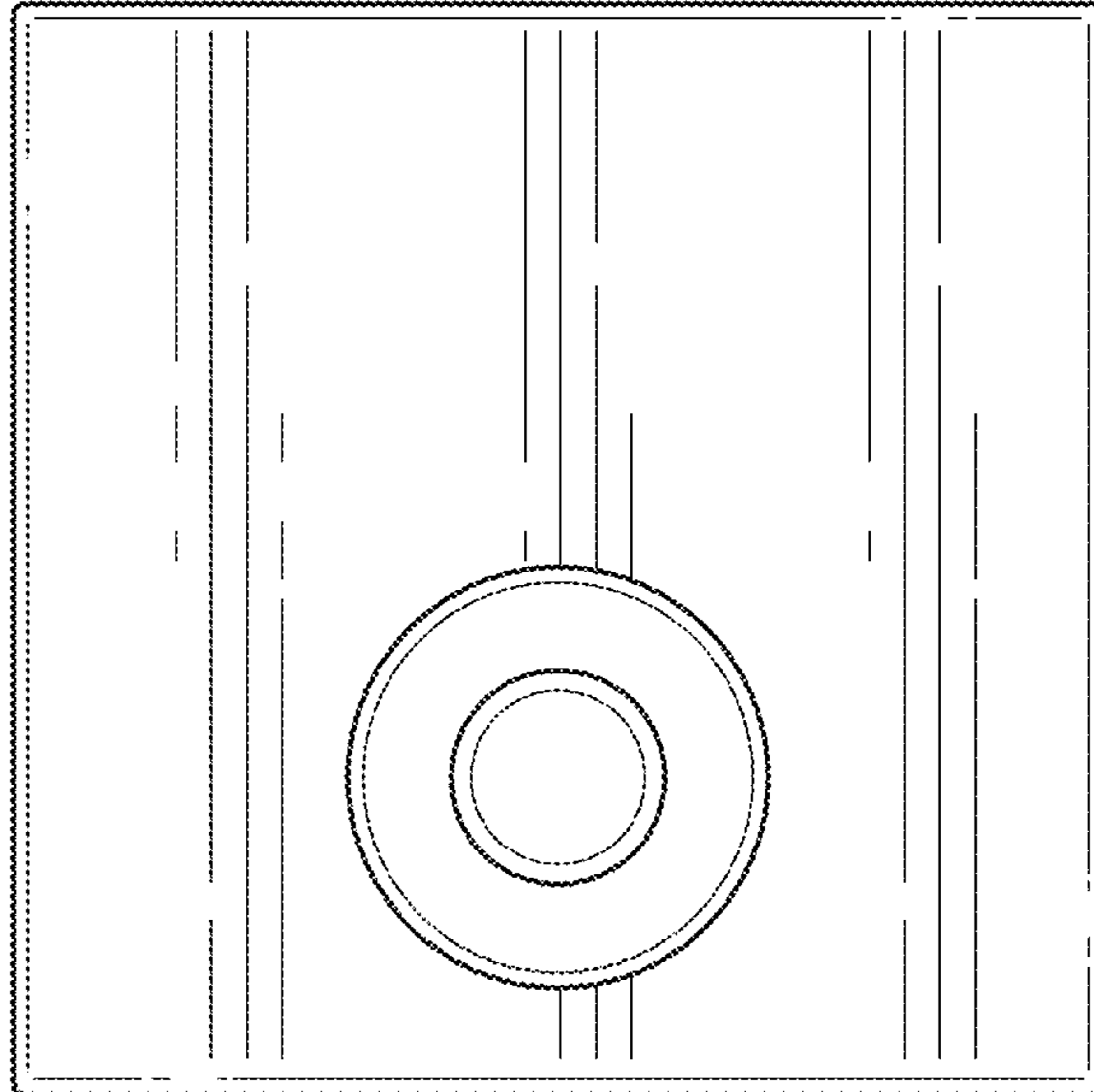


FIG. 2

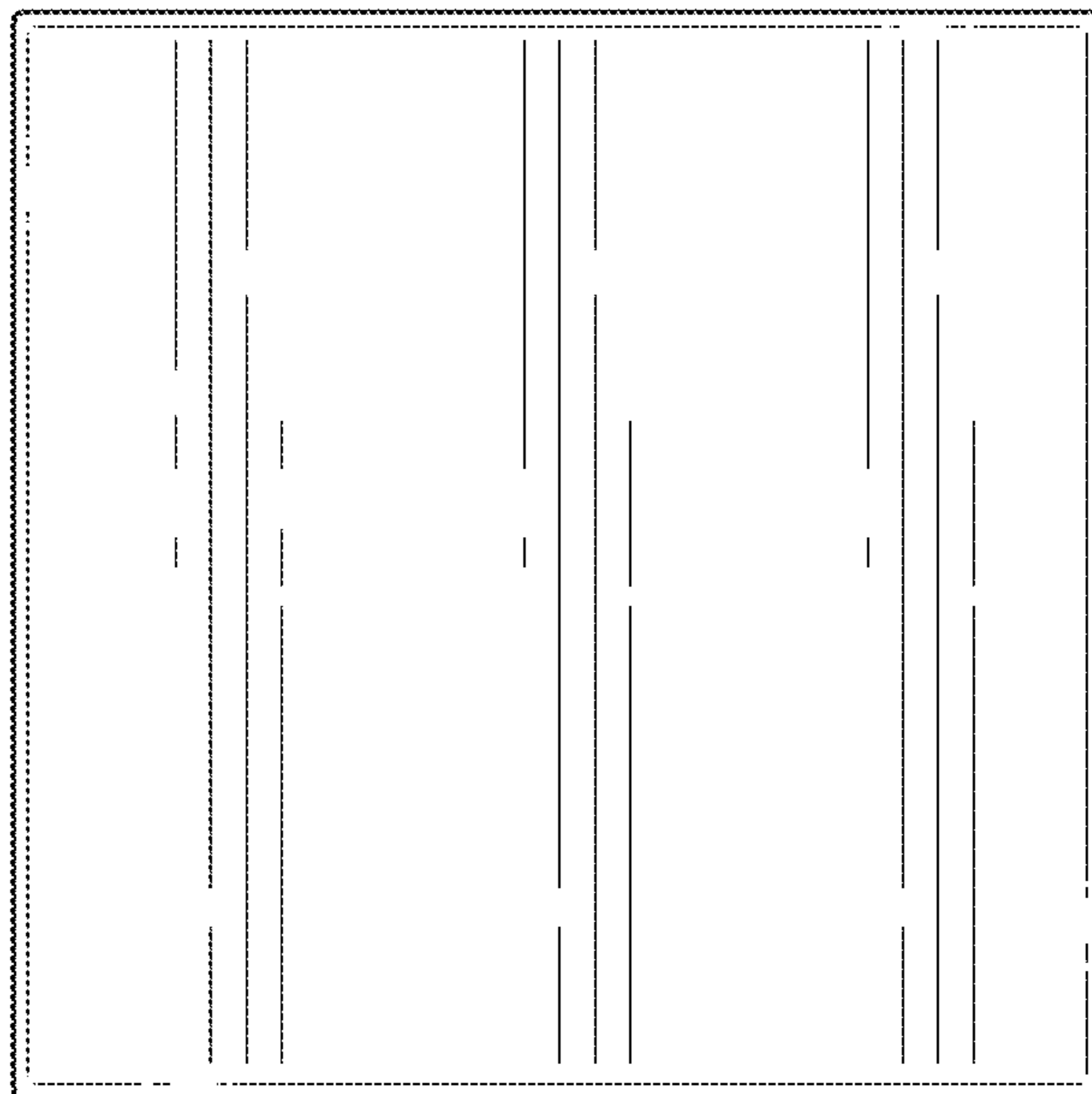


FIG. 3

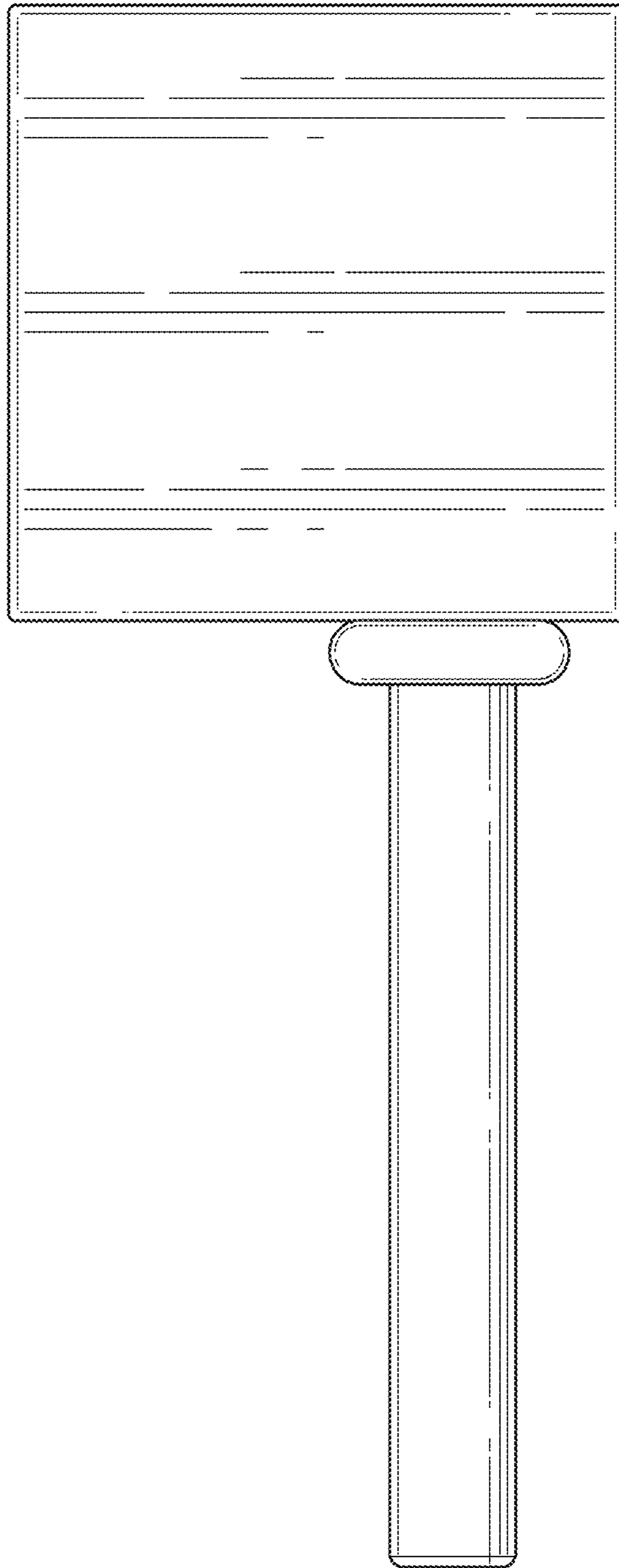


FIG. 4

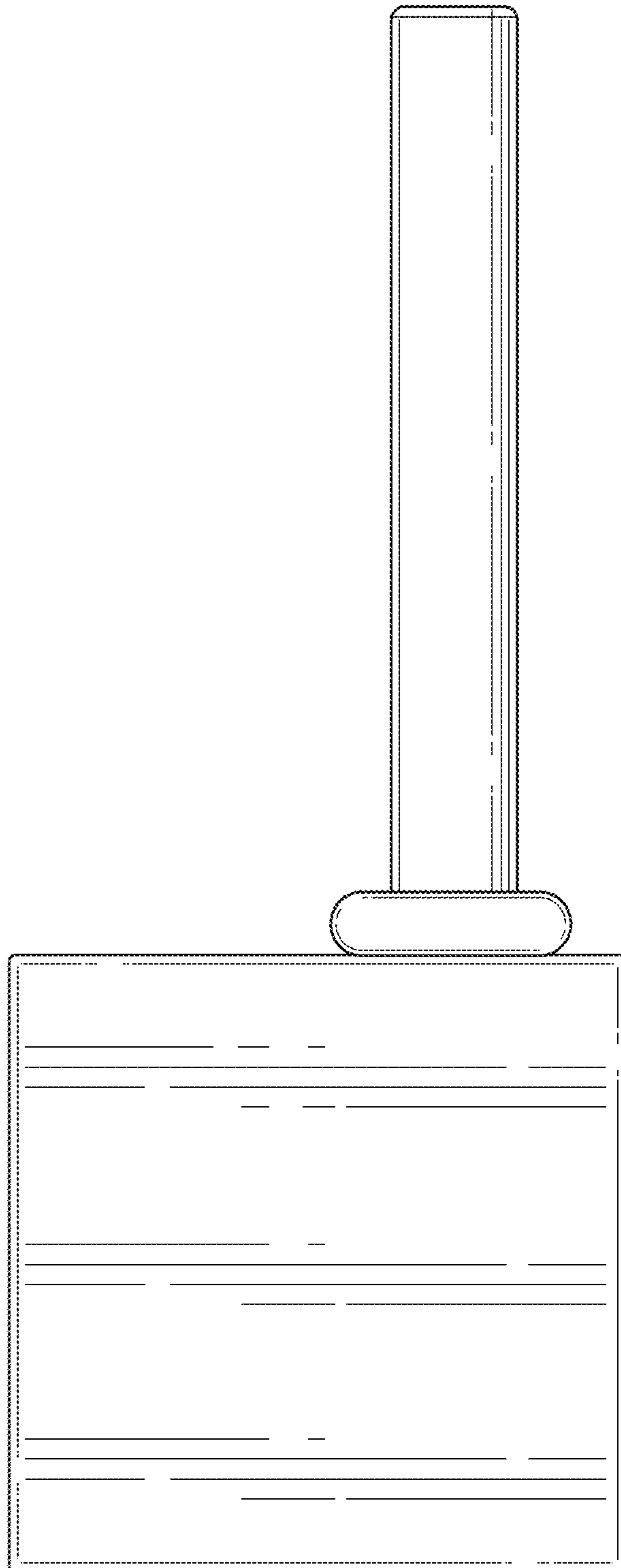


FIG. 5

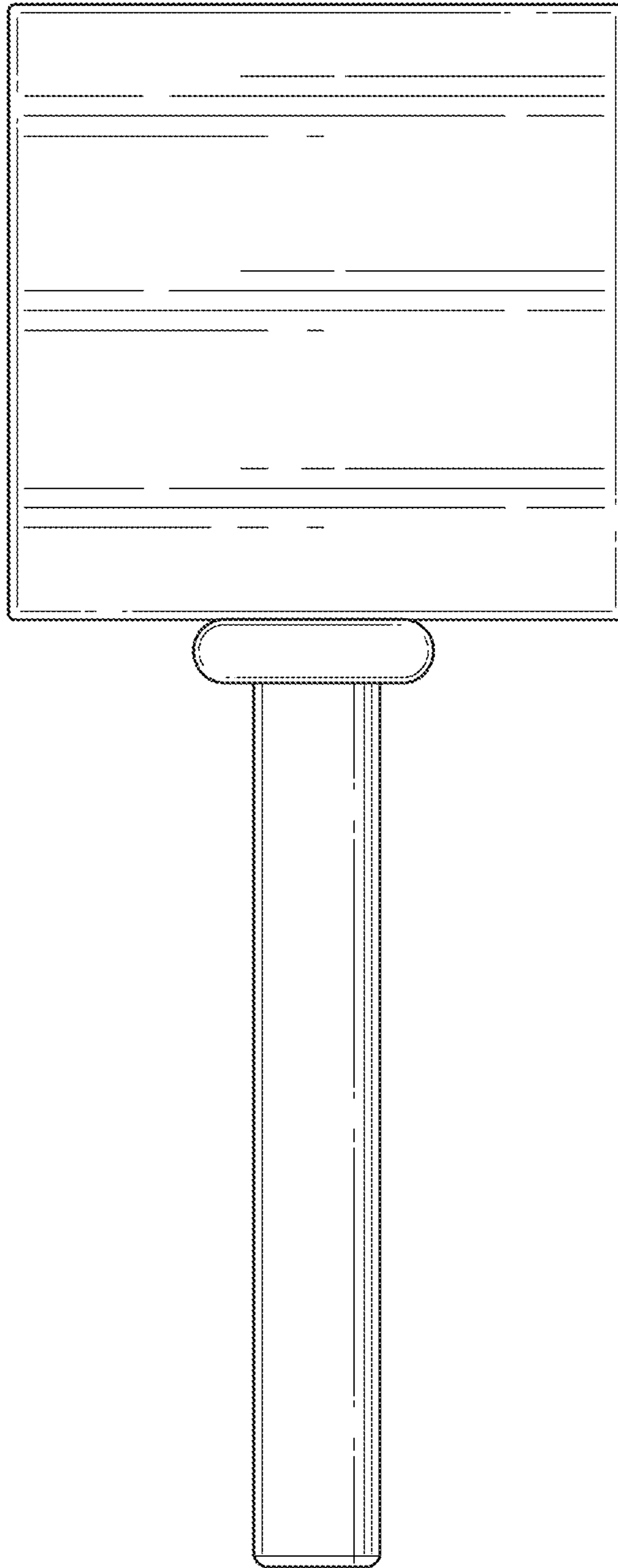


FIG. 6

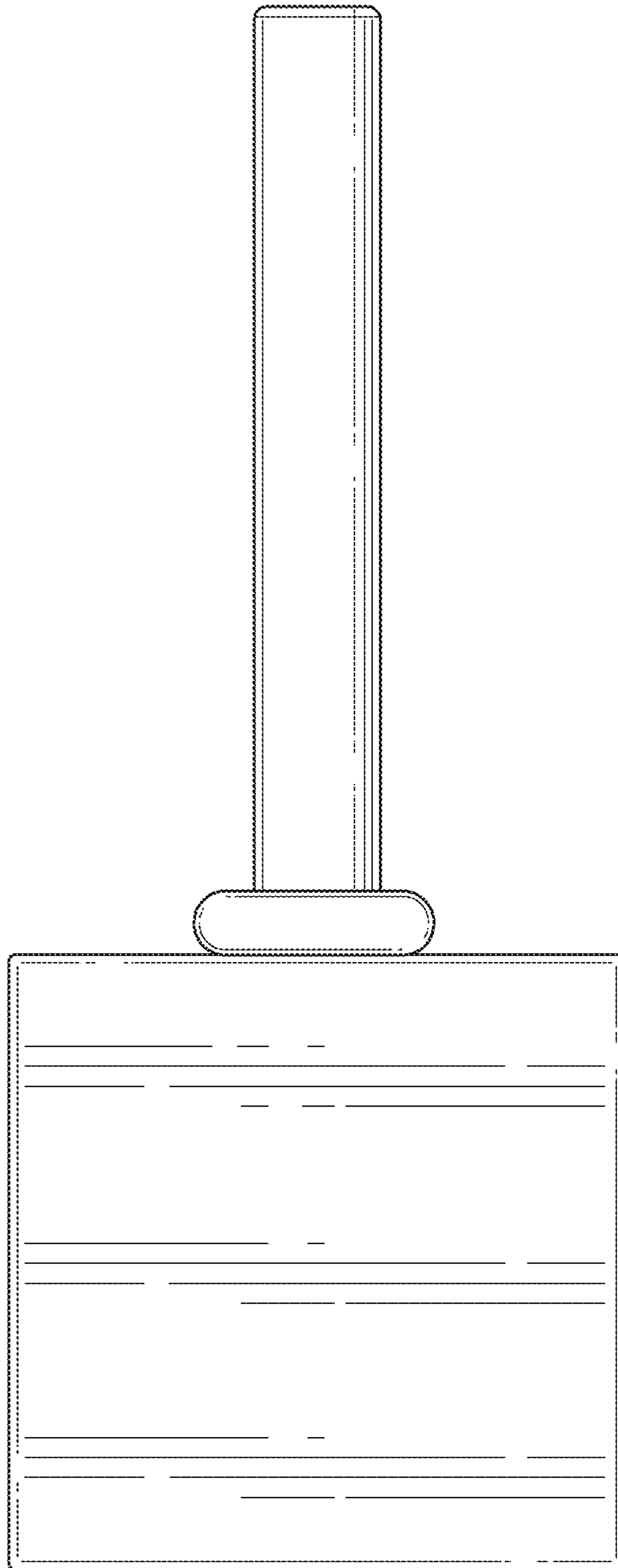


FIG. 7

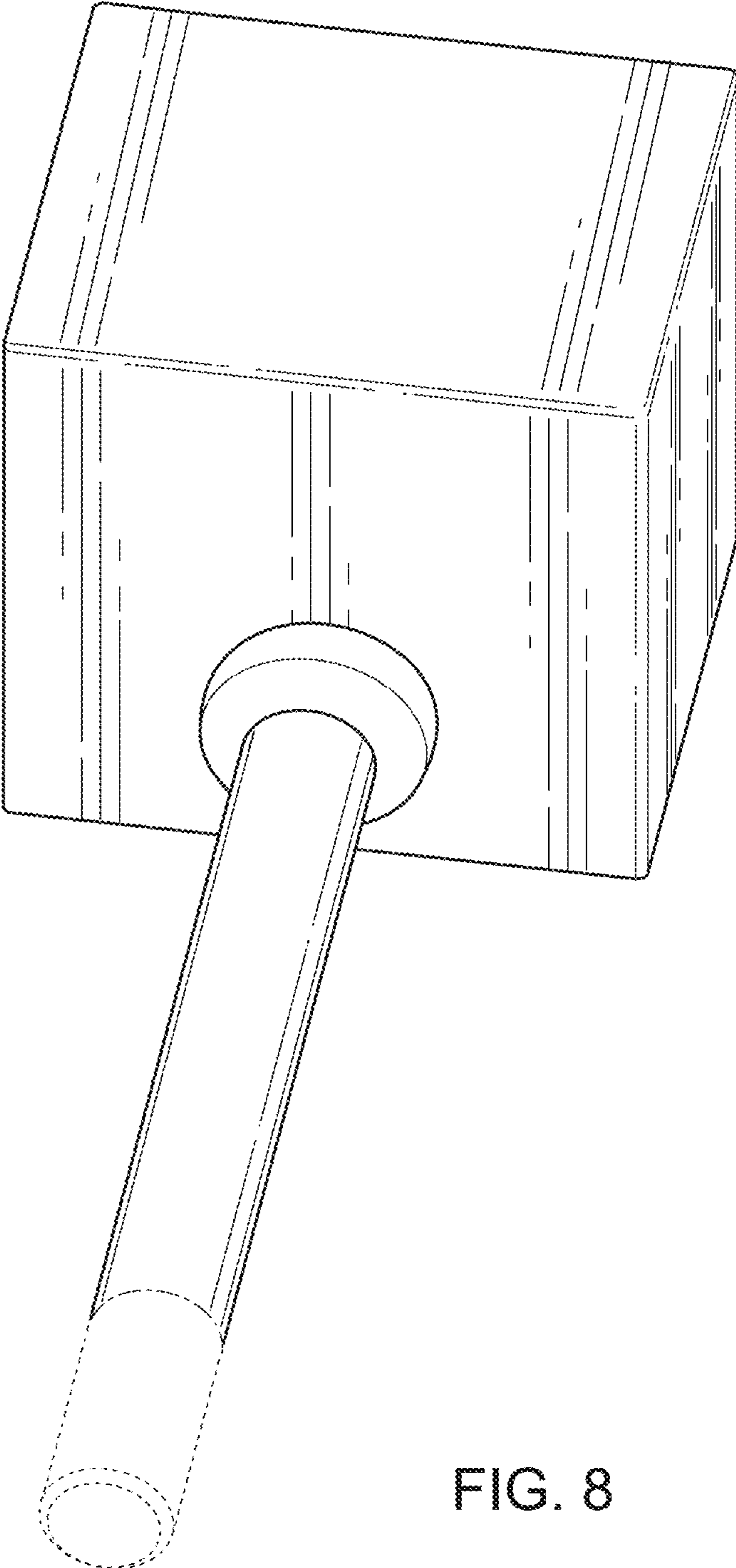


FIG. 8



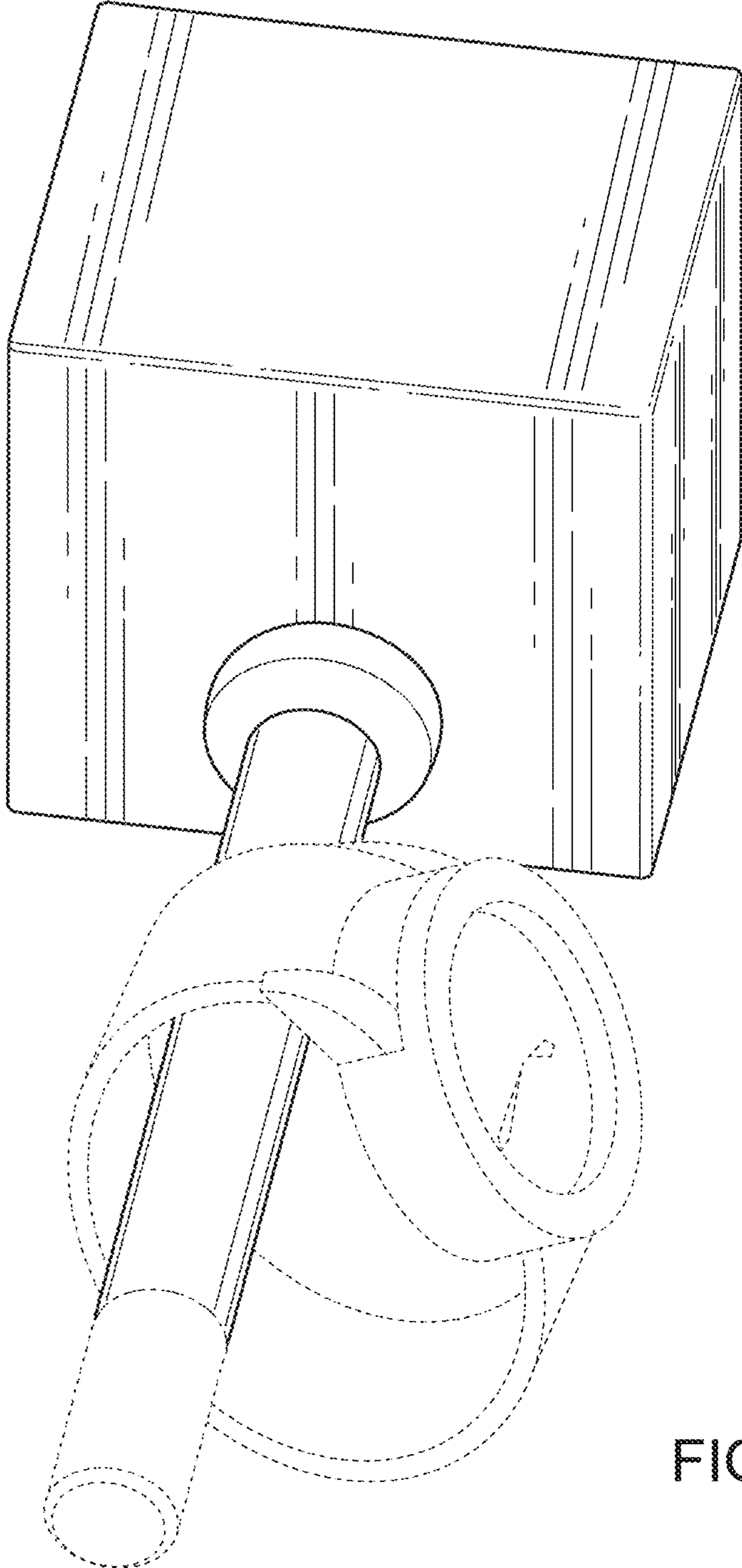


FIG. 9