

US00D779240S

(12) **United States Design Patent** (10) **Patent No.:** **US D779,240 S**
Tio et al. (45) **Date of Patent:** **** Feb. 21, 2017**

(54) DISPLAY STRUCTURE	6,357,609 B1 * 3/2002 Van Noord A47B 45/00 108/65
(71) Applicant: Apple Inc. , Cupertino, CA (US)	D468,134 S * 1/2003 Oikawa D6/682.2
(72) Inventors: Federico F. Tio , Santa Cruz, CA (US); Frank Craig Thaler , Santa Cruz, CA (US); Kevin Fenton Smeds , San Francisco, CA (US); Chahe Demian , Cupertino, CA (US); Wesley Bryan Hamm , San Francisco, CA (US)	D591,531 S * 5/2009 Sparkowski D6/702
(73) Assignee: Apple Inc. , Cupertino, CA (US)	D632,903 S * 2/2011 Paul D6/675.3
(**) Term: 15 Years	D642,390 S * 8/2011 West D6/332
(21) Appl. No.: 29/542,686	D649,192 S * 11/2011 Beukema D19/75
(22) Filed: Oct. 16, 2015	D657,978 S * 4/2012 Hamm D6/661
	D661,124 S * 6/2012 Curbbun D20/10
	D671,535 S * 11/2012 Terashima D14/307
	D676,430 S * 2/2013 Blaser D14/239
	D679,521 S * 4/2013 Hamm D6/672
	D682,581 S * 5/2013 Kikkert D6/674
	D684,792 S * 6/2013 Kikkert D6/674

(Continued)

Primary Examiner — Kelley Donnelly

(74) *Attorney, Agent, or Firm* — Sterne, Kessler,
Goldstein & Fox P.L.L.C.

Related U.S. Application Data

(63) Continuation of application No. 29/521,227, filed on
Mar. 20, 2015, now Pat. No. Des. 741,091, which is
a continuation of application No. 29/469,978, filed on
Oct. 16, 2013, now Pat. No. Des. 725,947.

(51) **LOC (10) Cl.** **06-06**

(52) **U.S. Cl.**
USPC **D6/675**

(58) **Field of Classification Search**
USPC D6/672–673, 675–675.1; 211/42, 44–45,
211/48, 50, 90.01, 133.1; 312/7.2, 9.1,
312/107–109, 117–119, 278–279; 108/59,
108/108, 161
CPC A47F 5/0018; A47F 5/0081; A47F 5/0043;
A47B 96/00
See application file for complete search history.

(56) **References Cited**

U.S. PATENT DOCUMENTS

D321,100 S * 10/1991 Dorrell D6/683.1
5,890,607 A * 4/1999 Maglione A47F 5/105
108/108

(57) **CLAIM**

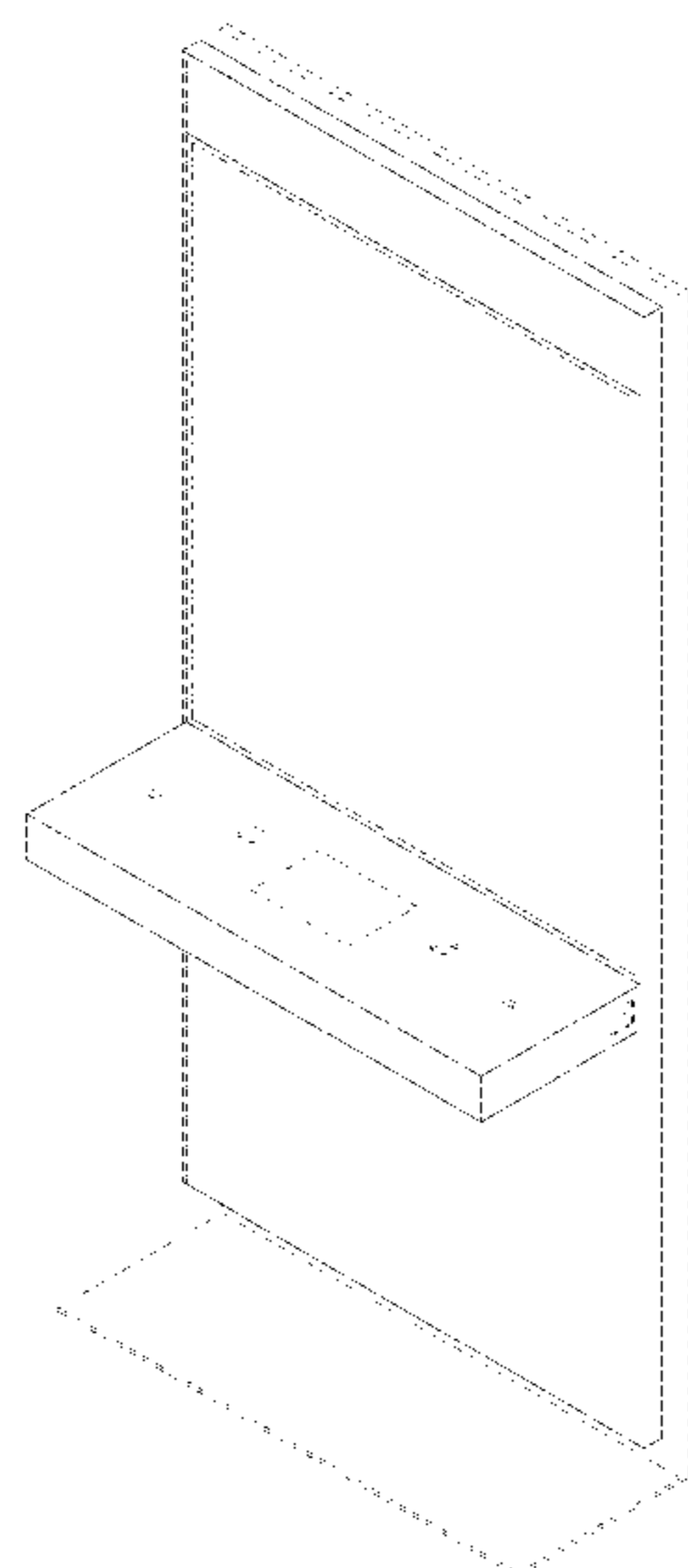
The ornamental design for a display structure, as shown and
described.

DESCRIPTION

FIG. 1 is a top front perspective view of a display structure
showing our new design;
FIG. 2 is a front view thereof;
FIG. 3 is a rear view thereof;
FIG. 4 is a right side view thereof;
FIG. 5 is a left side view thereof;
FIG. 6 is a top view thereof;
FIG. 7 is a bottom view thereof; and,
FIG. 8 is a top front perspective reference view thereof
showing broken-line environmental items in use with the
display structure.

The dashed broken lines in the figures show portions of the
display structure that form no part of the claimed design.
The dot-dash broken lines in the figures show boundaries
that form no part of the claimed design.

1 Claim, 6 Drawing Sheets



(56)

References Cited

U.S. PATENT DOCUMENTS

D693,156	S	*	11/2013	Hamm	D6/672
8,602,227	B1	*	12/2013	McDonald	A47F 5/0853
						211/193
D722,794	S	*	2/2015	Luong	D20/19
D734,965	S	*	7/2015	Tio	D6/675
D741,091	S	*	10/2015	Tio	D6/675
D742,455	S	*	11/2015	Denby	D20/19
D767,922	S	*	10/2016	Jussila	D6/672
D770,203	S	*	11/2016	Thaler	D6/673

* cited by examiner

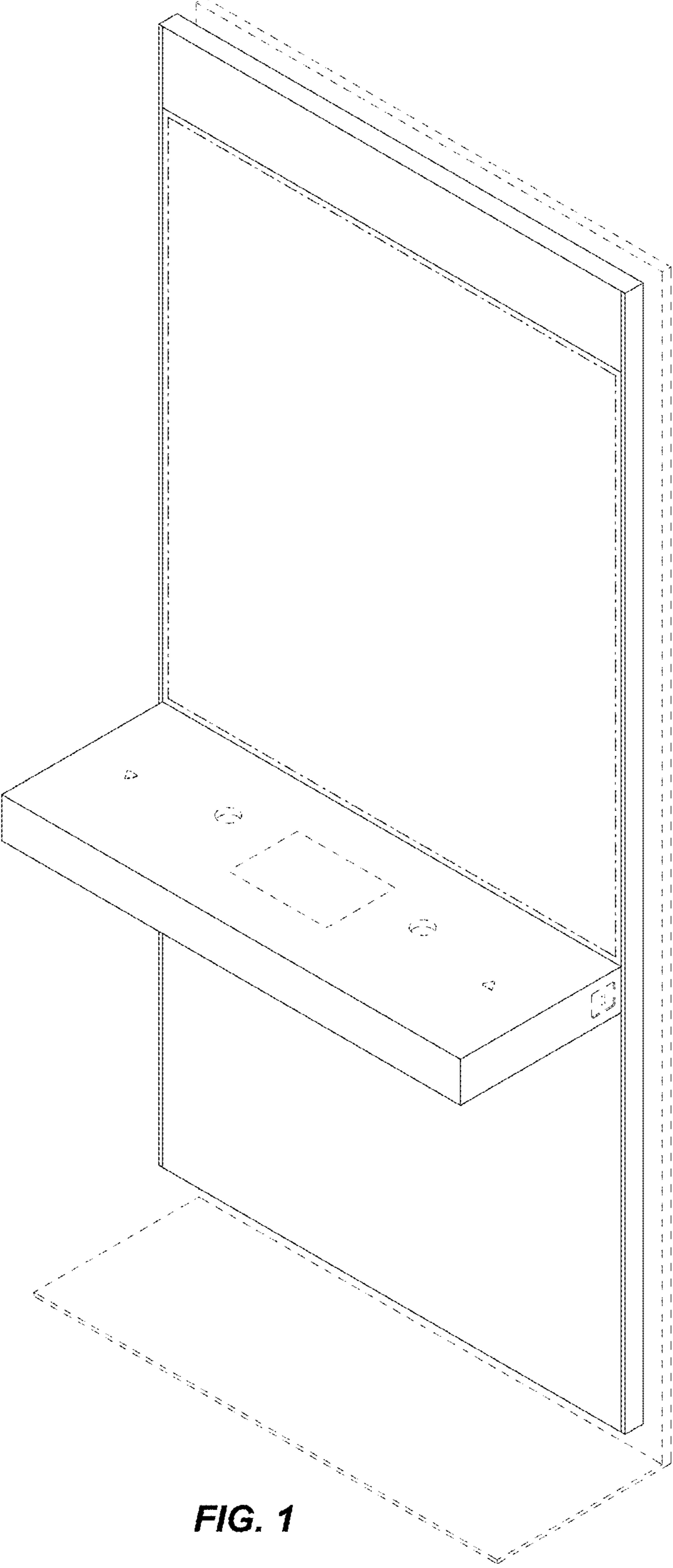


FIG. 1

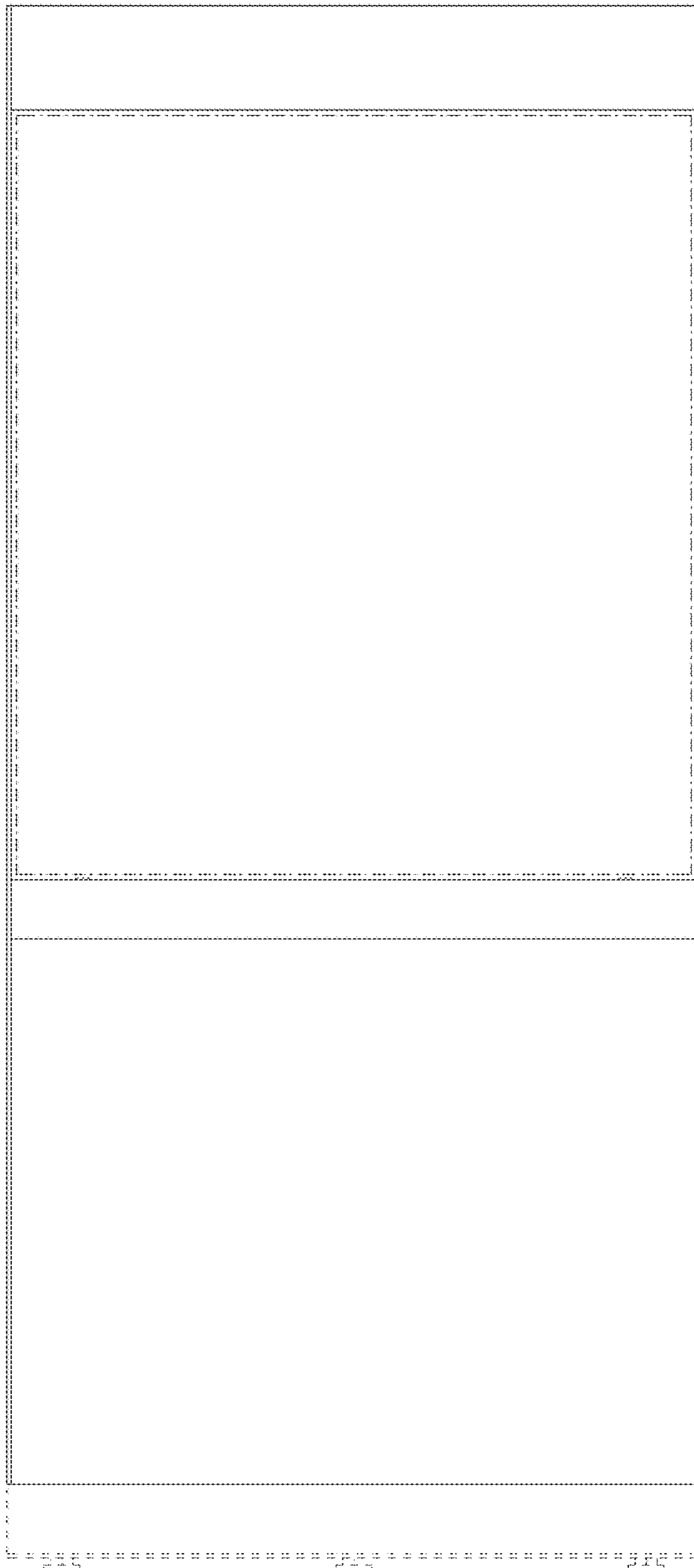


FIG. 2

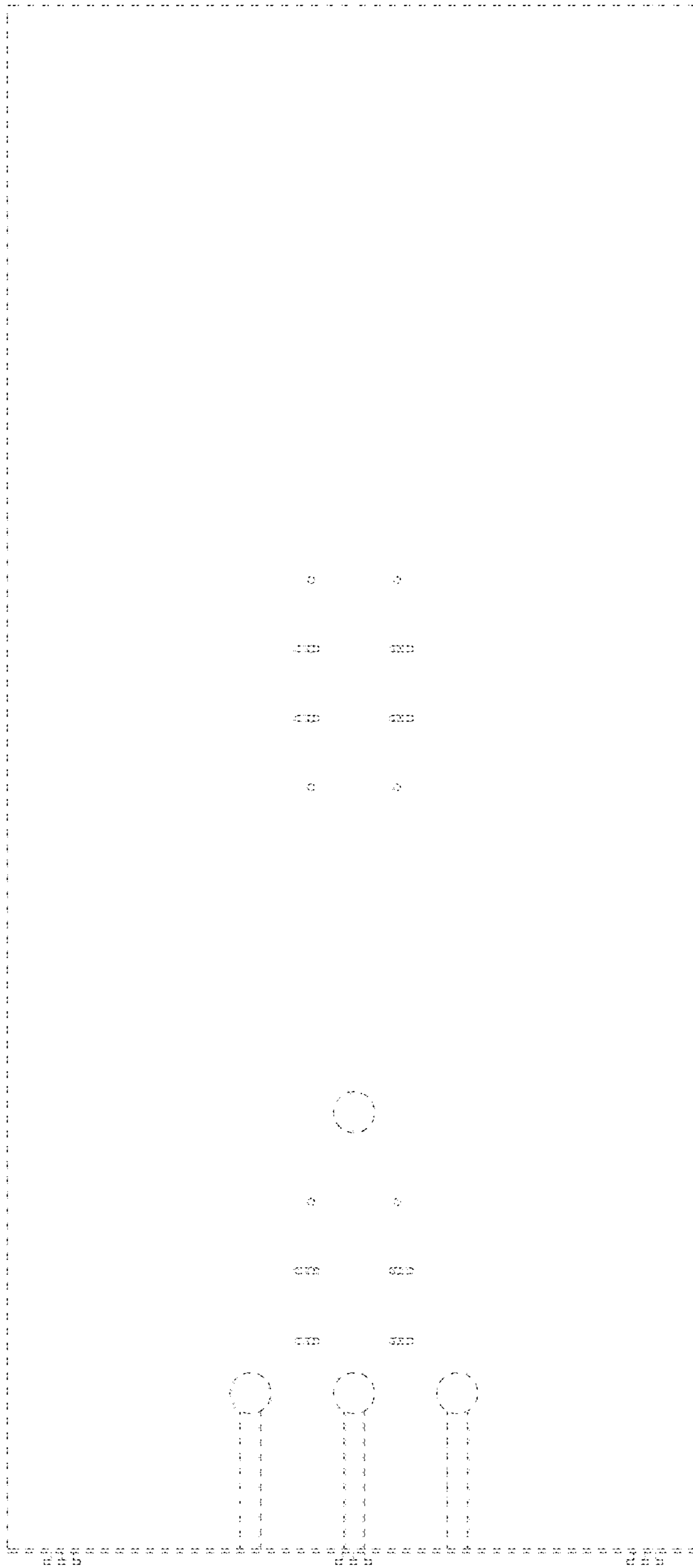


FIG. 3

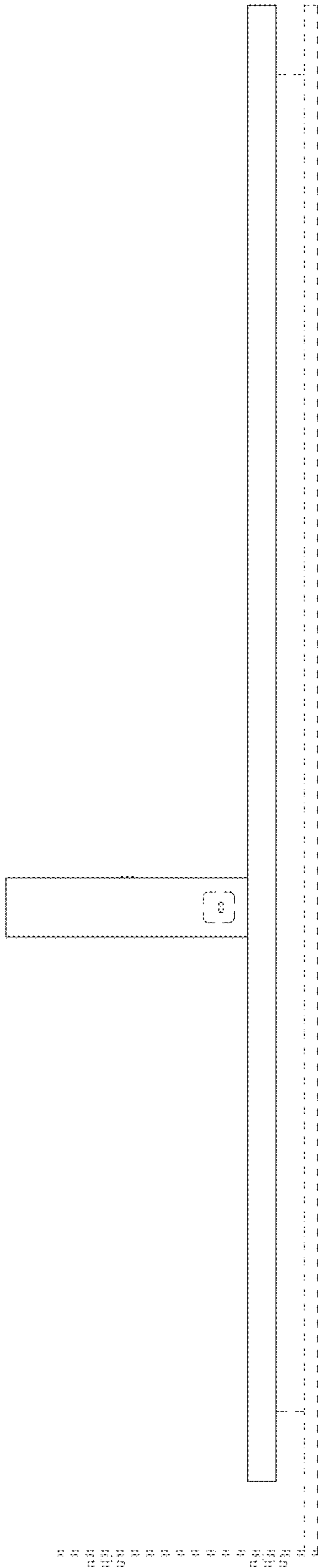


FIG. 4

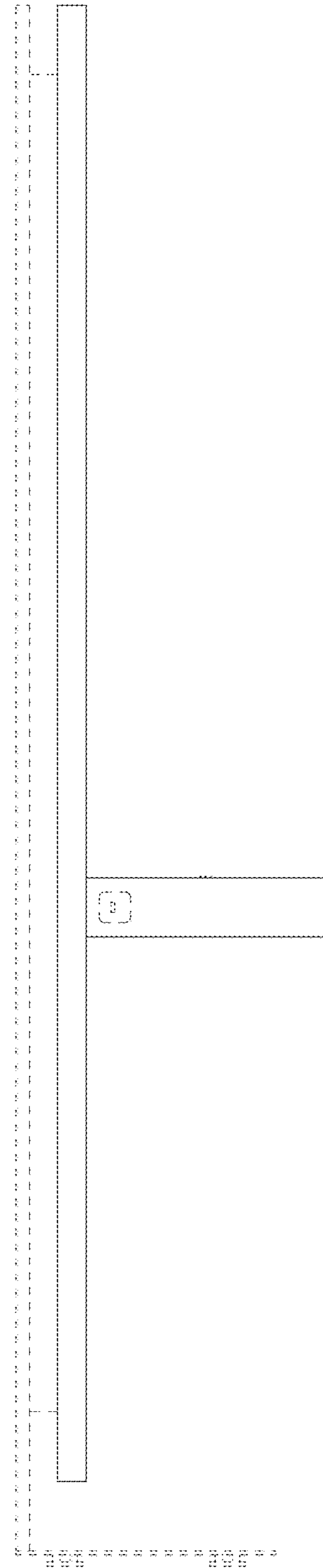


FIG. 5

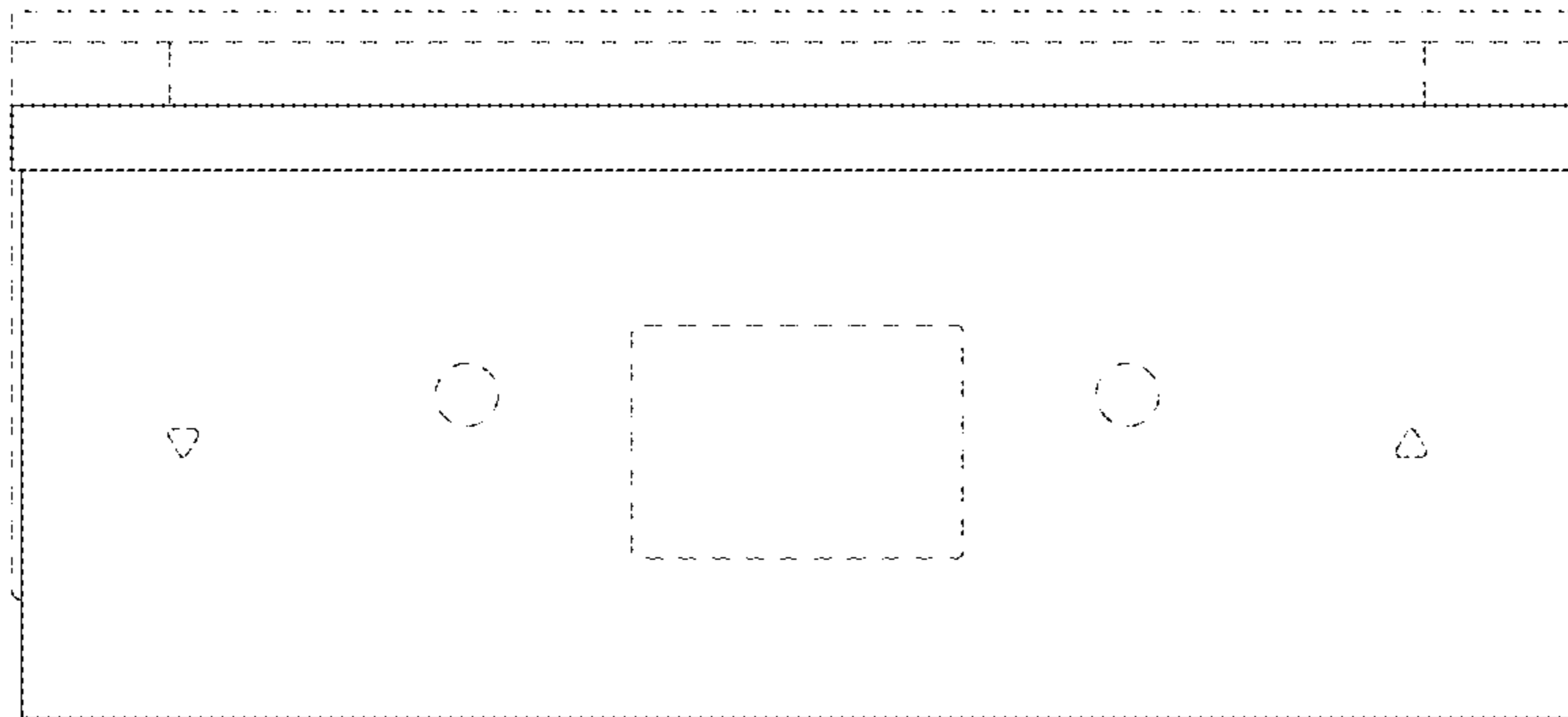


FIG. 6

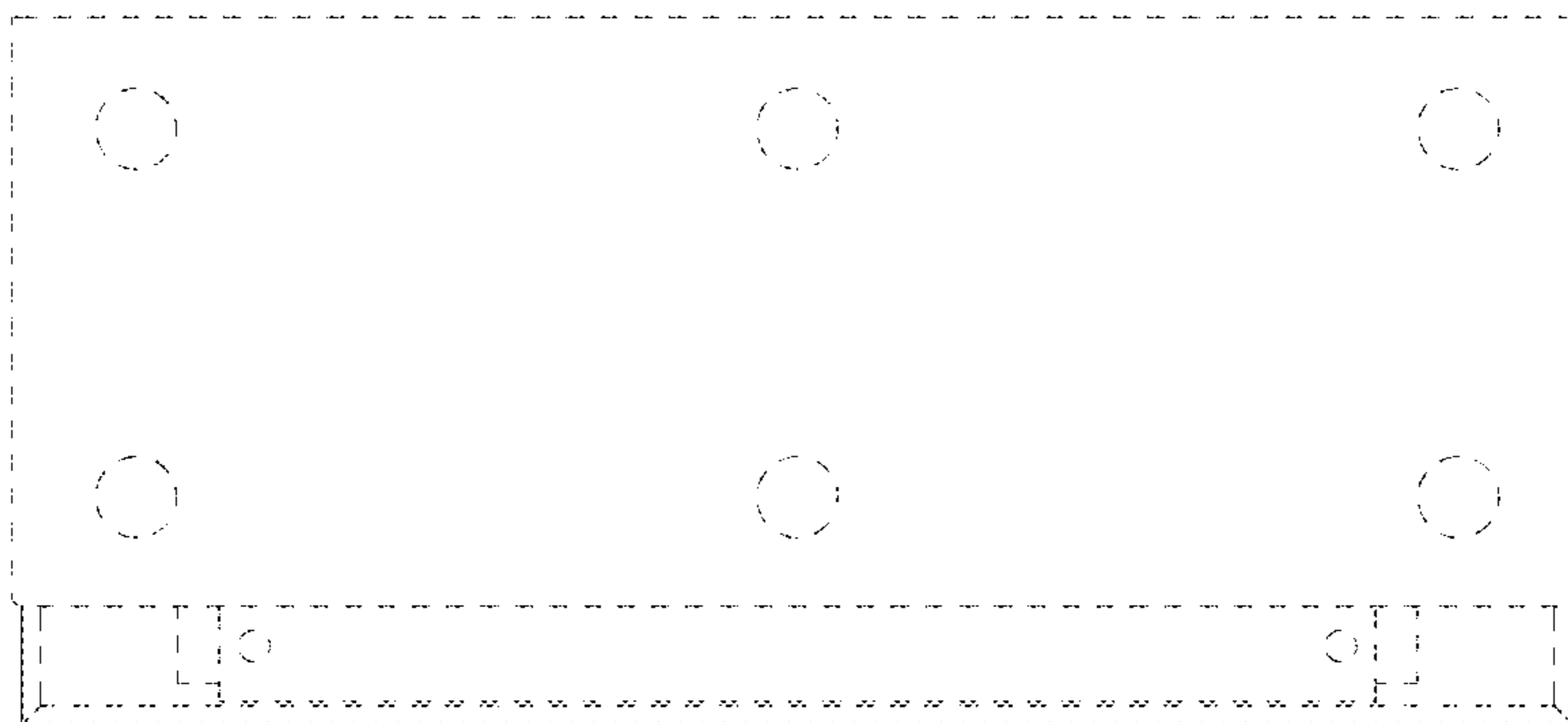


FIG. 7

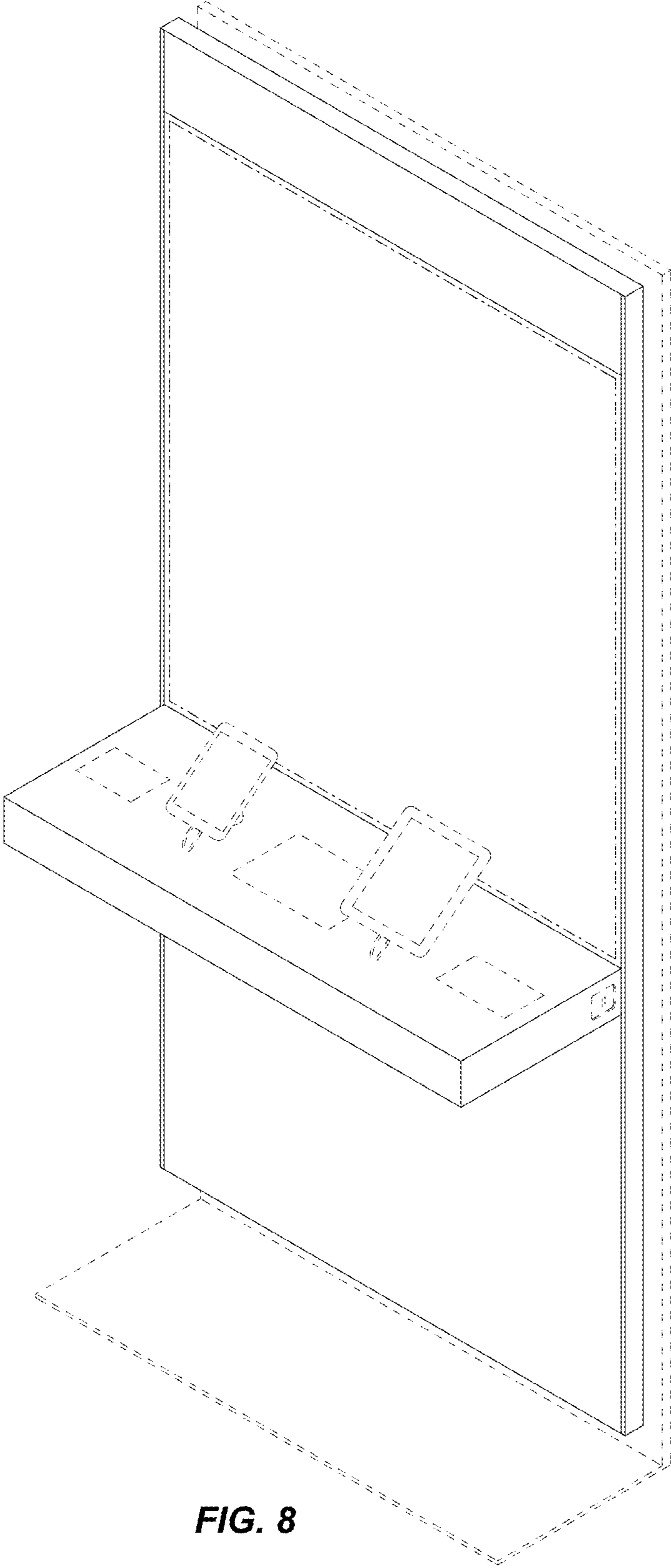


FIG. 8