



US00D779234S

(12) **United States Design Patent** (10) **Patent No.:** **US D779,234 S**
Fujita (45) **Date of Patent:** **** Feb. 21, 2017**

- (54) **COVERING FOR AN ARCHITECTURAL OPENING**
- (71) Applicant: **Hunter Douglas Inc.**, Pearl River, NY (US)
- (72) Inventor: **Suzanne M. Fujita**, Louisville, CO (US)
- (73) Assignee: **Hunter Douglas Inc.**, Pearl River, NY (US)

2,994,370 A	8/1961	Pinto
3,092,870 A	6/1963	Baer
3,302,690 A	2/1967	Hurd
3,411,561 A	11/1968	Mock
3,422,878 A	1/1969	Galietti
3,844,330 A	10/1974	Hyman
3,851,699 A	12/1974	Shapiro
3,946,789 A	3/1976	Ronkholz-Tolle
D246,116 S	10/1977	Beirle

(Continued)

- (**) Term: **15 Years**
- (21) Appl. No.: **29/570,785**
- (22) Filed: **Jul. 12, 2016**

FOREIGN PATENT DOCUMENTS

CA	2777454 A1	11/2012
CA	142500	2/2013

(Continued)

Primary Examiner — Karen S Acker
Assistant Examiner — Wendy Arminio
 (74) *Attorney, Agent, or Firm* — Dorsey & Whitney LLP

Related U.S. Application Data

- (62) Division of application No. 29/449,238, filed on Mar. 14, 2013, now Pat. No. Des. 764,212.
- (51) **LOC (10) Cl.** **06-10**
- (52) **U.S. Cl.**
USPC **D6/580**
- (58) **Field of Classification Search**
USPC D6/575, 576, 577, 578, 579, 580, 581;
D8/349, 352, 353, 368, 369, 376
CPC E06B 3/30; E06B 9/00; E06B 9/02;
E06B 9/24; E06B 9/262; A47H
1/00; A47H 1/02; A47H 21/00; A47H
23/00; A47H 23/02; A47H 23/04; A47H
2001/0205; A47H 2023/025
See application file for complete search history.

(57) **CLAIM**

I claim the ornamental design for a covering for an architectural opening, as shown and described.

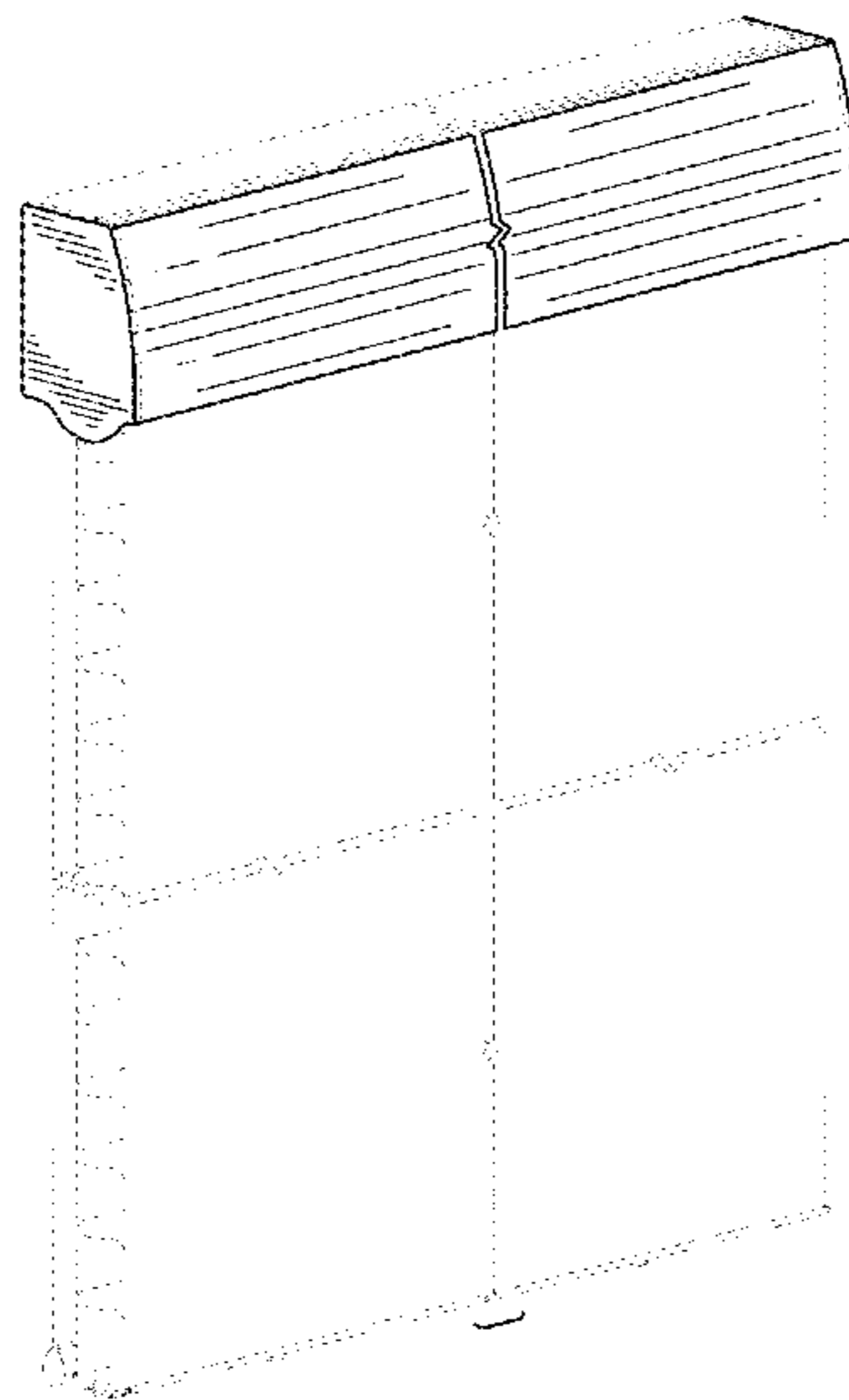
DESCRIPTION

FIG. 1 is a top-left isometric view of a covering for an architectural opening.
 FIG. 2 is a front elevation view thereof.
 FIG. 3 is a left side elevation view thereof.
 FIG. 4 is a right side elevation view thereof.
 FIG. 5 is a top plan view thereof.
 FIG. 6 is a bottom plan view thereof; and,
 FIG. 7 is a rear elevation view thereof.
 The broken lines depict features of the covering for an architectural opening that form no part of the claimed design. The covering for an architectural opening is shown with symbolic breaks in its length and width. The appearance of any portion of the article between the break lines forms no part of the claimed design.

(56) **References Cited**
U.S. PATENT DOCUMENTS

1,937,342 A	11/1933	Higbie
2,267,869 A	12/1941	Loehr
2,770,298 A	11/1956	Hiatt
2,914,122 A	11/1959	Pinto

1 Claim, 5 Drawing Sheets



(56)

References Cited

U.S. PATENT DOCUMENTS

4,114,233 A 9/1978 Hamilton
 4,342,354 A 8/1982 Leivenzon et al.
 4,438,605 A 3/1984 DeLucia
 4,664,169 A 5/1987 Osaka et al.
 4,741,375 A 5/1988 Milford et al.
 4,846,243 A 7/1989 Schneider
 4,934,435 A 6/1990 Regev
 5,012,552 A 5/1991 Wulf
 5,090,098 A 2/1992 Sevcik et al.
 5,097,884 A 3/1992 Sevcik et al.
 5,099,904 A 3/1992 Susnar
 D325,681 S * 4/1992 Gartenmaier D6/577
 5,102,598 A 4/1992 Chen
 5,105,870 A 4/1992 Merjane
 5,129,440 A 7/1992 Colson
 5,143,136 A 9/1992 John
 5,158,632 A 10/1992 Colson et al.
 5,205,334 A 4/1993 Judkins
 D337,469 S 7/1993 Young et al.
 D341,744 S * 11/1993 Schaefer D6/575
 5,273,096 A 12/1993 Thomsen et al.
 5,287,908 A 2/1994 Hoffmann et al.
 5,313,998 A 5/1994 Colson et al.
 5,313,999 A 5/1994 Colson et al.
 D348,371 S 7/1994 Judkins
 5,339,883 A 8/1994 Colson et al.
 D355,093 S 2/1995 Morris
 D355,094 S 2/1995 Josephson
 5,392,833 A 2/1995 Ohanesian
 5,419,385 A 5/1995 Vogel et al.
 5,425,408 A 6/1995 Colson
 5,490,553 A 2/1996 Colson et al.
 5,566,735 A 10/1996 Jelic
 D385,449 S * 10/1997 Morris D6/580
 5,690,156 A 11/1997 Ruggles
 5,718,799 A 2/1998 Colson et al.
 6,001,199 A 12/1999 Colson et al.
 D445,621 S 7/2001 Judkins
 D446,070 S 8/2001 Judkins
 D456,196 S 4/2002 Colson et al.
 6,408,924 B1 * 6/2002 Anderson E06B 9/36
 160/168.1 V
 D468,950 S 1/2003 Judkins
 D473,743 S 4/2003 Judkins
 D487,662 S 3/2004 Ward et al.
 6,712,115 B2 3/2004 Judkins
 6,964,291 B2 11/2005 Judkins
 D595,078 S * 6/2009 Kollman D6/580
 7,571,756 B2 8/2009 Smith et al.
 D633,320 S * 3/2011 Brace D6/580
 D659,455 S 5/2012 Marocco
 D659,456 S 5/2012 Marocco

8,267,144 B2 9/2012 Hsu et al.
 8,327,906 B2 12/2012 Kwak
 D680,357 S * 4/2013 Wills D6/580
 D683,990 S 6/2013 Huang
 D686,433 S 7/2013 Marocco
 D686,434 S 7/2013 Marocco
 D691,487 S 10/2013 Earl et al.
 D711,156 S 8/2014 Judkins
 8,807,192 B2 8/2014 Marocco
 8,820,386 B2 9/2014 Mullet et al.
 8,857,495 B2 10/2014 Marocco
 8,887,787 B2 11/2014 Jang
 8,955,555 B2 2/2015 Cha
 9,115,537 B2 * 8/2015 Blair E06B 9/42
 D740,588 S 10/2015 Earl et al.
 D747,953 S * 1/2016 Thompson D8/349
 D748,409 S 2/2016 Marocco
 D748,410 S 2/2016 Marocco
 D750,395 S 3/2016 Earl et al.
 D751,319 S 3/2016 Earl et al.
 D764,212 S 8/2016 Fujita
 2005/0087309 A1 4/2005 Nien et al.
 2005/0155722 A1 * 7/2005 Colson E06B 9/262
 160/89
 2008/0149280 A1 * 6/2008 Smith E06B 9/262
 160/121.1
 2009/0277593 A1 11/2009 Stewart
 2009/0277594 A1 11/2009 Stewart et al.
 2011/0126959 A1 6/2011 Holt et al.
 2011/0265963 A1 11/2011 Drew et al.
 2012/0107037 A1 5/2012 Huang
 2012/0222824 A1 9/2012 Lin
 2012/0291962 A1 11/2012 Marocco
 2012/0291964 A1 11/2012 Marocco
 2012/0291965 A1 11/2012 Marocco
 2013/0098563 A1 * 4/2013 Jang E06B 9/42
 160/120
 2014/0216666 A1 8/2014 Smith et al.
 2014/0250804 A1 9/2014 Kuperus et al.
 2014/0262066 A1 9/2014 Certain et al.
 2015/0376941 A1 12/2015 Fujita et al.
 2016/0010390 A1 1/2016 Smith
 2016/0076302 A1 3/2016 Marocco
 2016/0237743 A1 * 8/2016 Holt E06B 9/262

FOREIGN PATENT DOCUMENTS

CA 142501 2/2013
 CA 145759 2/2013
 EP 0653539 A1 5/1995
 EP 0654577 A1 5/1995
 WO 94/25719 A1 11/1994
 WO 2011/090975 A1 7/2011
 WO 2013/033014 A1 3/2013

* cited by examiner

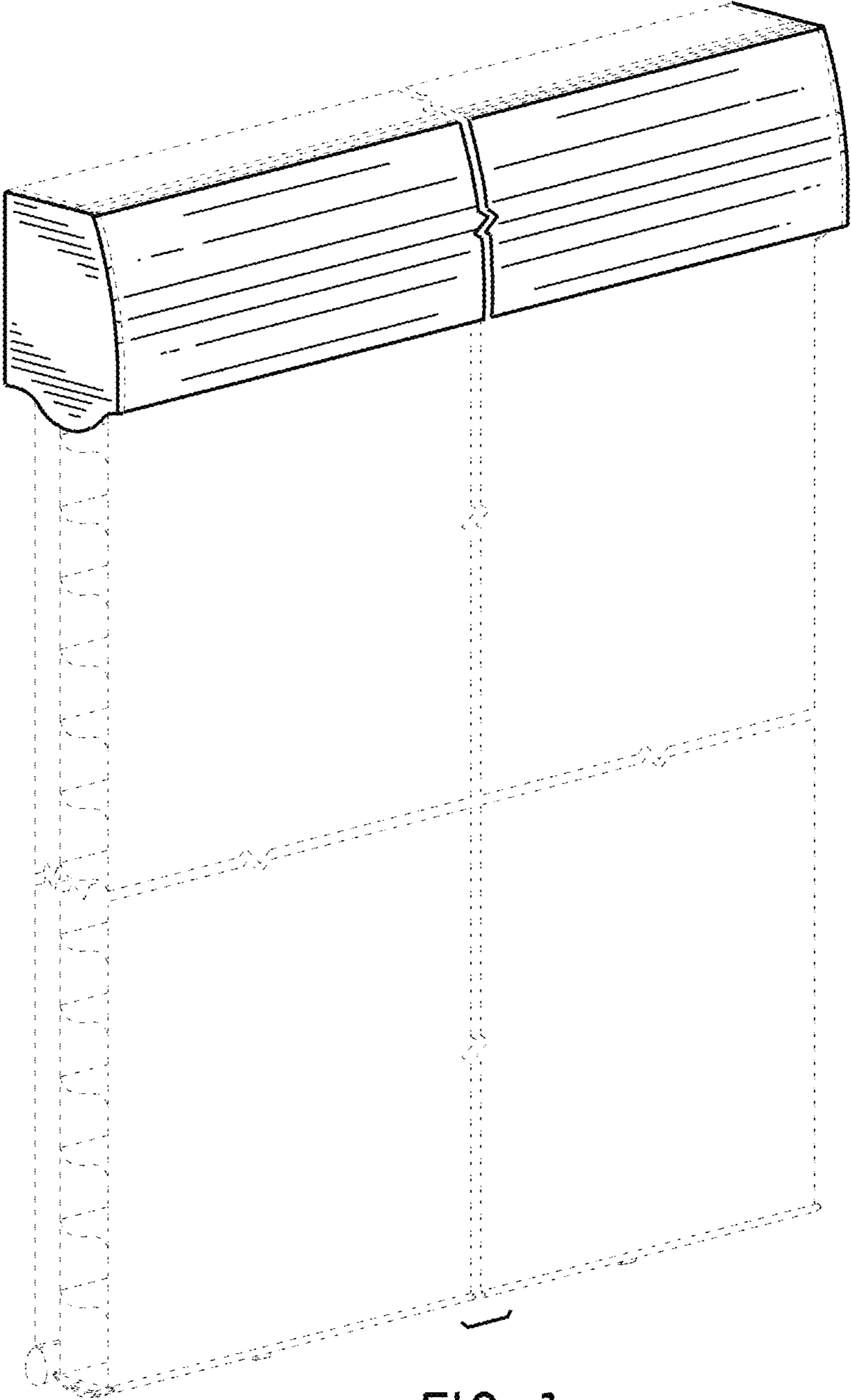


FIG. 1

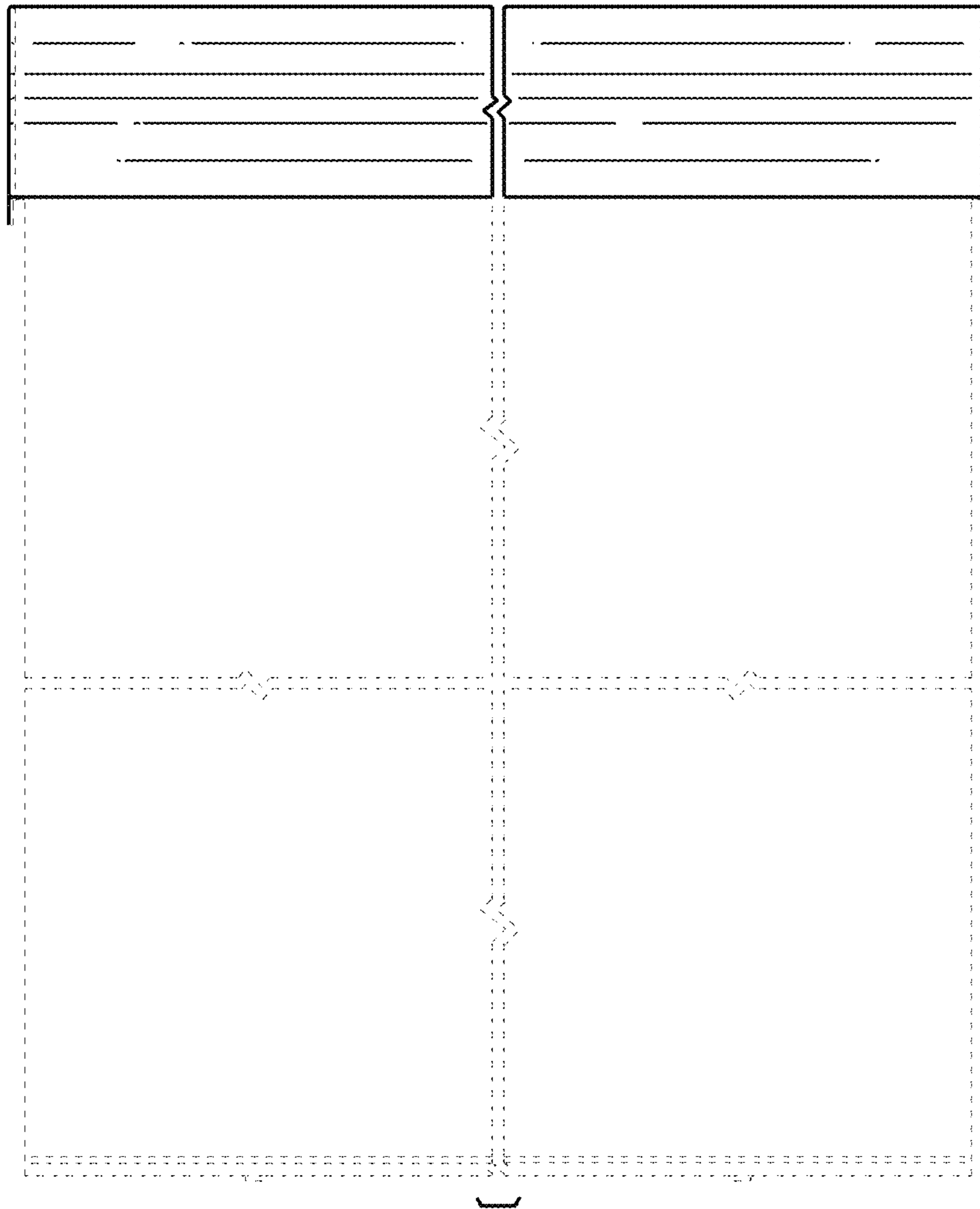


FIG. 2

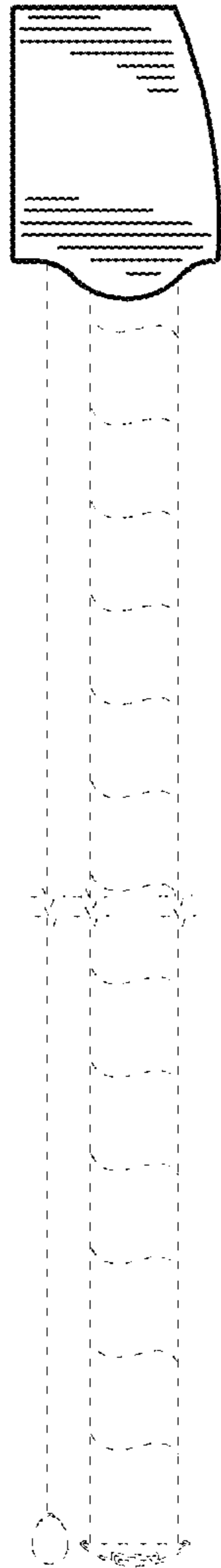


FIG. 3

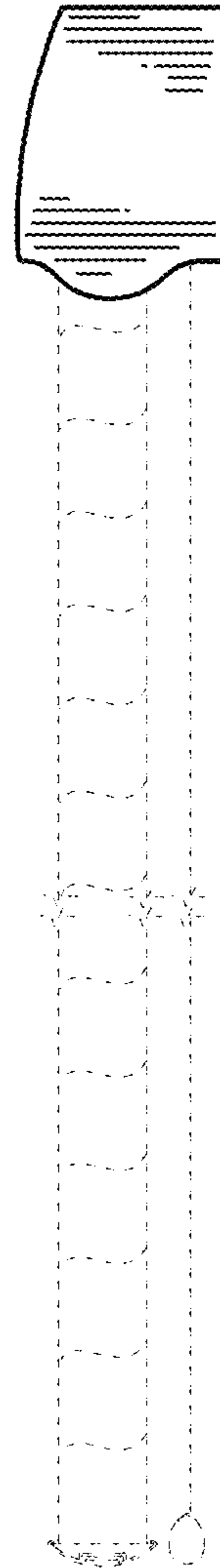


FIG. 4

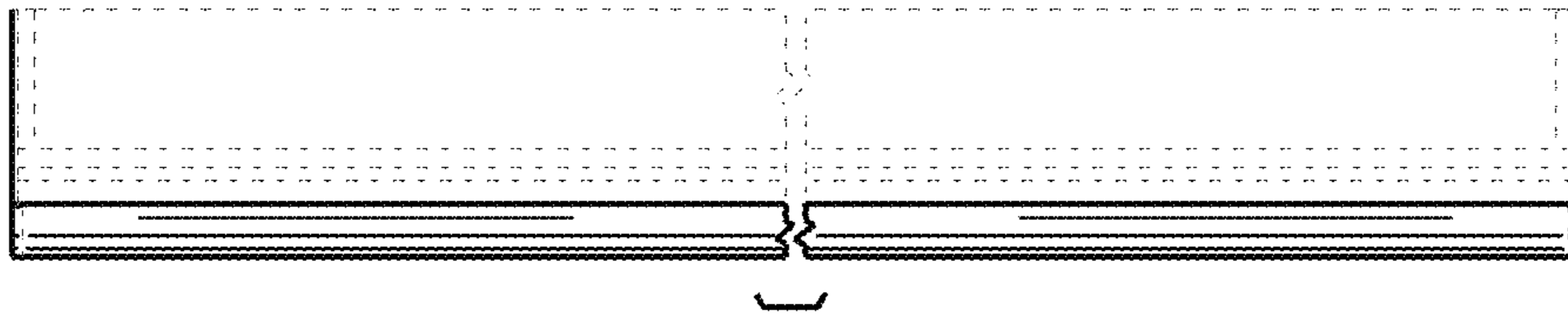


FIG. 5

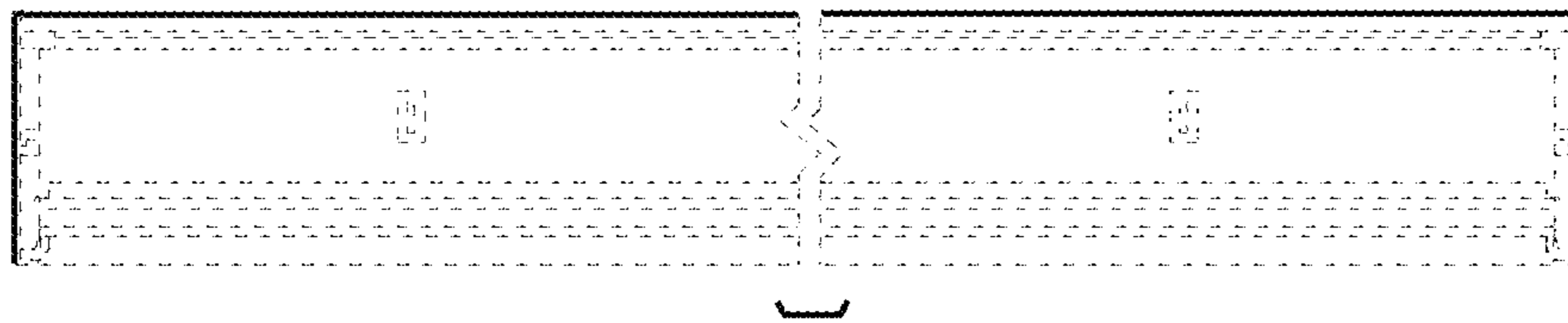


FIG. 6

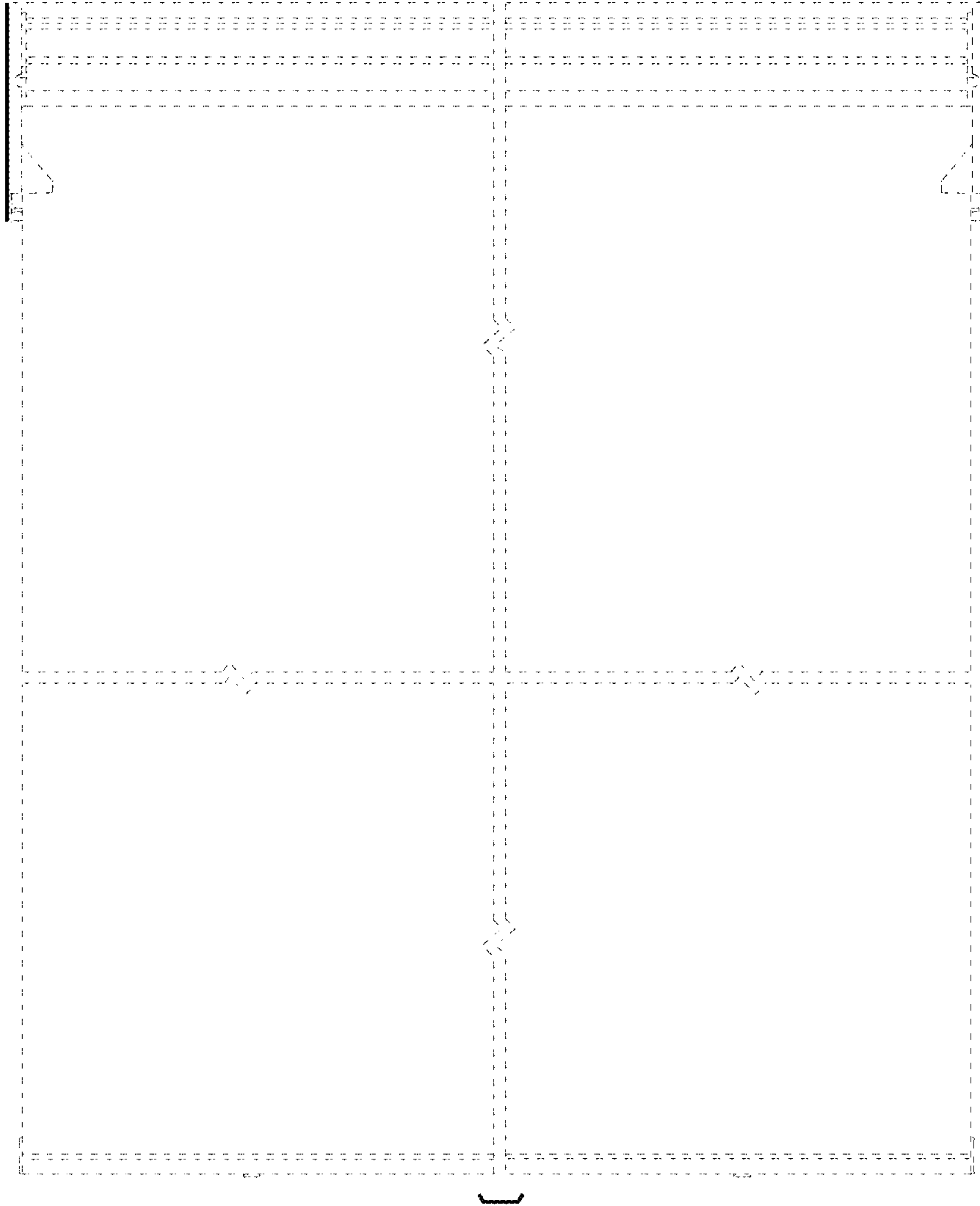


FIG. 7