



US00D779232S

(12) **United States Design Patent** (10) **Patent No.:** **US D779,232 S**  
**Pan et al.** (45) **Date of Patent:** **\*\* Feb. 21, 2017**

(54) **HOLDER**

(71) Applicant: **3M INNOVATIVE PROPERTIES COMPANY**, St. Paul, MN (US)

(72) Inventors: **Angela L. Pan**, Arden Hills, MN (US);  
**Craig D. Thompson**, Inver Grove Heights, MN (US)

(73) Assignee: **3M INNOVATIVE PROPERTIES COMPANY**, St. Paul, MN (US)

(\*\*) Term: **15 Years**

(21) Appl. No.: **29/547,473**

(22) Filed: **Dec. 3, 2015**

(51) **LOC (10) Cl.** ..... **06-04**

(52) **U.S. Cl.**  
USPC ..... **D6/566**; D6/524

(58) **Field of Classification Search**  
USPC ..... D6/566, 574, 536-537, 524, 525, 540,  
D6/567, 320; 211/13.1, 74, 71.01, 86.01,  
211/75, 88.01, 90.01, 90.03, 106, 119,  
211/126.1, 133.5, 181.1, 134, 87.01;  
248/206.2-206.3; D3/306; D32/55-56;  
D7/637

CPC ..... B23P 17/04; A47K 1/09; A47K 1/08;  
A47K 3/281; F16B 47/00

See application file for complete search history.

(56) **References Cited**

**U.S. PATENT DOCUMENTS**

|           |     |         |          |       |                          |
|-----------|-----|---------|----------|-------|--------------------------|
| 3,212,742 | A * | 10/1965 | Pavoni   | ..... | D06F 81/003<br>248/117.1 |
| D237,674  | S * | 11/1975 | Seltzer  | ..... | D6/566                   |
| 4,671,009 | A * | 6/1987  | Faunce   | ..... | A01K 97/00<br>211/181.1  |
| D339,942  | S * | 10/1993 | Emalfarb | ..... | D6/513                   |
| D343,712  | S * | 1/1994  | Linder   | ..... | D6/513                   |
| D399,381  | S * | 10/1998 | Hoernig  | ..... | D6/566                   |
| D449,480  | S * | 10/2001 | Snell    | ..... | D6/525                   |
| D450,213  | S * | 11/2001 | Snell    | ..... | D6/566                   |

|          |     |         |               |       |        |
|----------|-----|---------|---------------|-------|--------|
| D472,750 | S * | 4/2003  | Clucas        | ..... | D6/525 |
| D507,108 | S * | 7/2005  | Suero, Jr.    | ..... | D3/304 |
| D554,417 | S * | 11/2007 | Thorsteinsson | ..... | D6/566 |
| D554,419 | S * | 11/2007 | Thompson      | ..... | D6/566 |
| D559,024 | S * | 1/2008  | Tau           | ..... | D6/566 |
| D574,647 | S * | 8/2008  | Snider        | ..... | D6/513 |
| D584,056 | S * | 1/2009  | Ghiorghie     | ..... | D3/304 |
| D588,814 | S * | 3/2009  | Ghiorghie     | ..... | D3/304 |
| D612,648 | S * | 3/2010  | Guindi        | ..... | D6/525 |
| D616,680 | S * | 6/2010  | Snider        | ..... | D6/513 |
| D628,385 | S * | 12/2010 | Klein         | ..... | D6/513 |
| D632,081 | S * | 2/2011  | Klein         | ..... | D3/306 |
| D650,209 | S * | 12/2011 | Snider        | ..... | D6/513 |
| D701,397 | S * | 3/2014  | Snider        | ..... | D6/566 |
| D705,565 | S * | 5/2014  | Schraufnagel  | ..... | D6/513 |
| D717,070 | S * | 11/2014 | Callif        | ..... | D6/553 |

(Continued)

**OTHER PUBLICATIONS**

Amazon.com, Command BATH31-SN-ES Shower Caddy, Satin Nickel, Feb. 24, 2016, [https://www.amazon.com/Command-BATH31-SN-ES-Shower-1-Caddy-Water-Resistant/dp/B01C60C4TQ/ref=sr\\_1\\_2?ie=UTF8&qid=1474917558&sr=8-2&keywords=Command+satin+nickel](https://www.amazon.com/Command-BATH31-SN-ES-Shower-1-Caddy-Water-Resistant/dp/B01C60C4TQ/ref=sr_1_2?ie=UTF8&qid=1474917558&sr=8-2&keywords=Command+satin+nickel).\*

(Continued)

*Primary Examiner* — David Muller  
*Assistant Examiner* — Nathan Johnston  
(74) *Attorney, Agent, or Firm* — Irina Hass

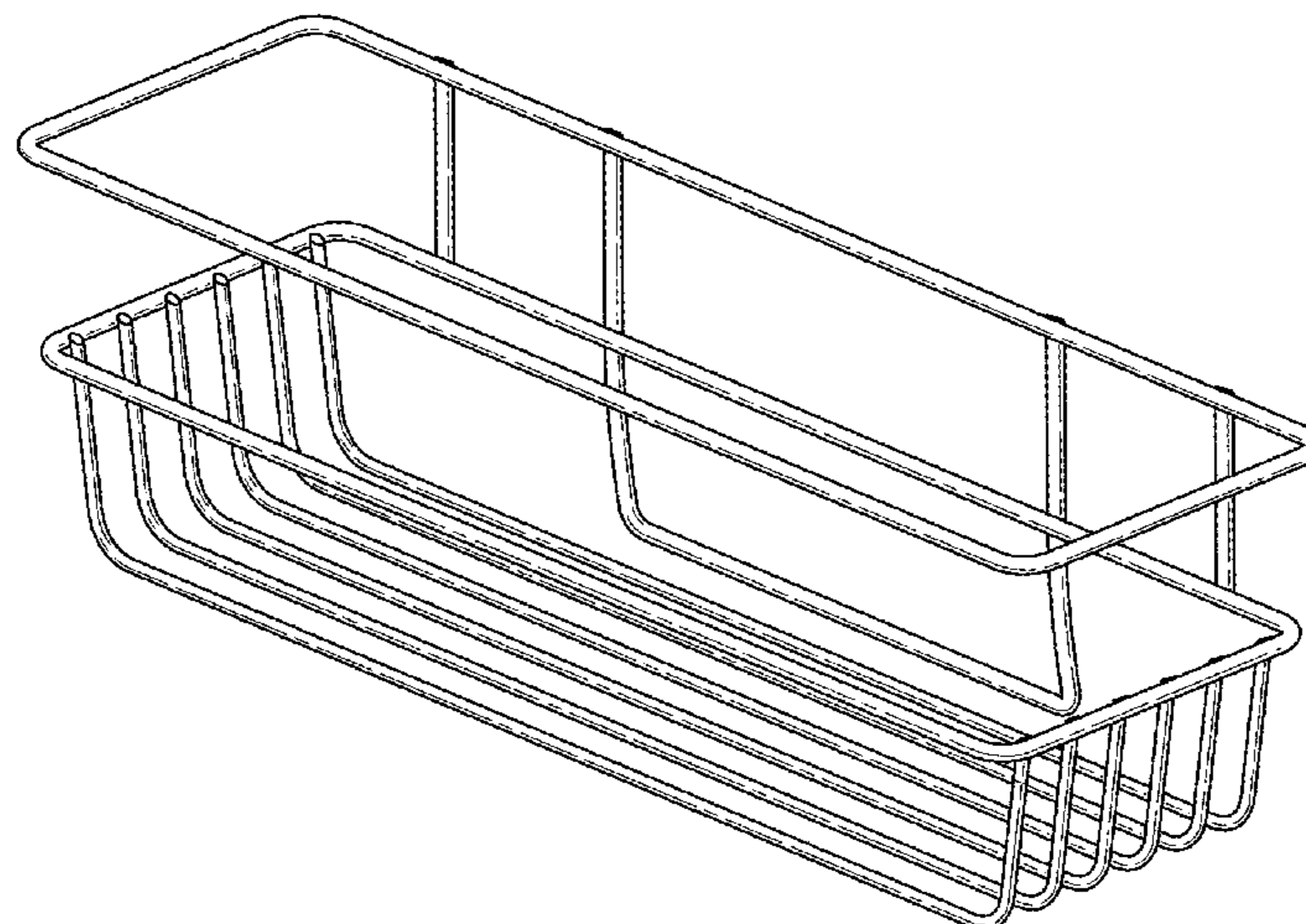
(57) **CLAIM**

The ornamental design for a holder, as shown and described.

**DESCRIPTION**

FIG. 1 is a perspective view showing a new design for a holder;  
FIG. 2 is a front elevation view thereof;  
FIG. 3 is a rear elevation view thereof;  
FIG. 4 is a right side elevation view thereof, the left side elevation view being a mirror image thereof;  
FIG. 5 is a top plan view thereof; and,  
FIG. 6 is a bottom plan view thereof.

**1 Claim, 3 Drawing Sheets**



(56)

**References Cited**

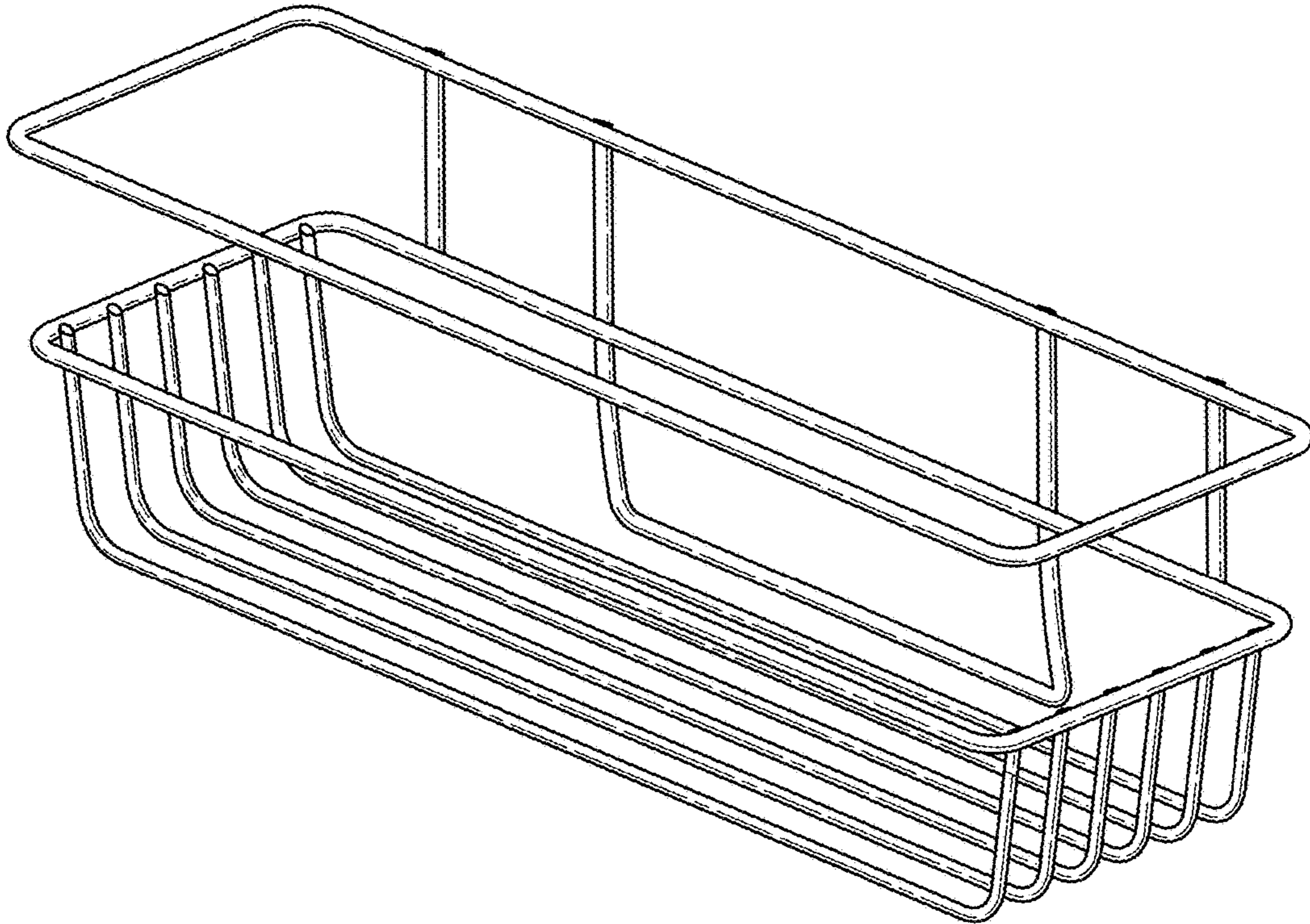
U.S. PATENT DOCUMENTS

D728,255 S \* 5/2015 Guindi ..... D6/513  
D757,457 S \* 5/2016 Guindi ..... D6/513

OTHER PUBLICATIONS

U.S. Appl. No. 62/173,646, filed Jun. 10, 2015, entitled "Mounting Assembly".

\* cited by examiner



*Fig. 1*

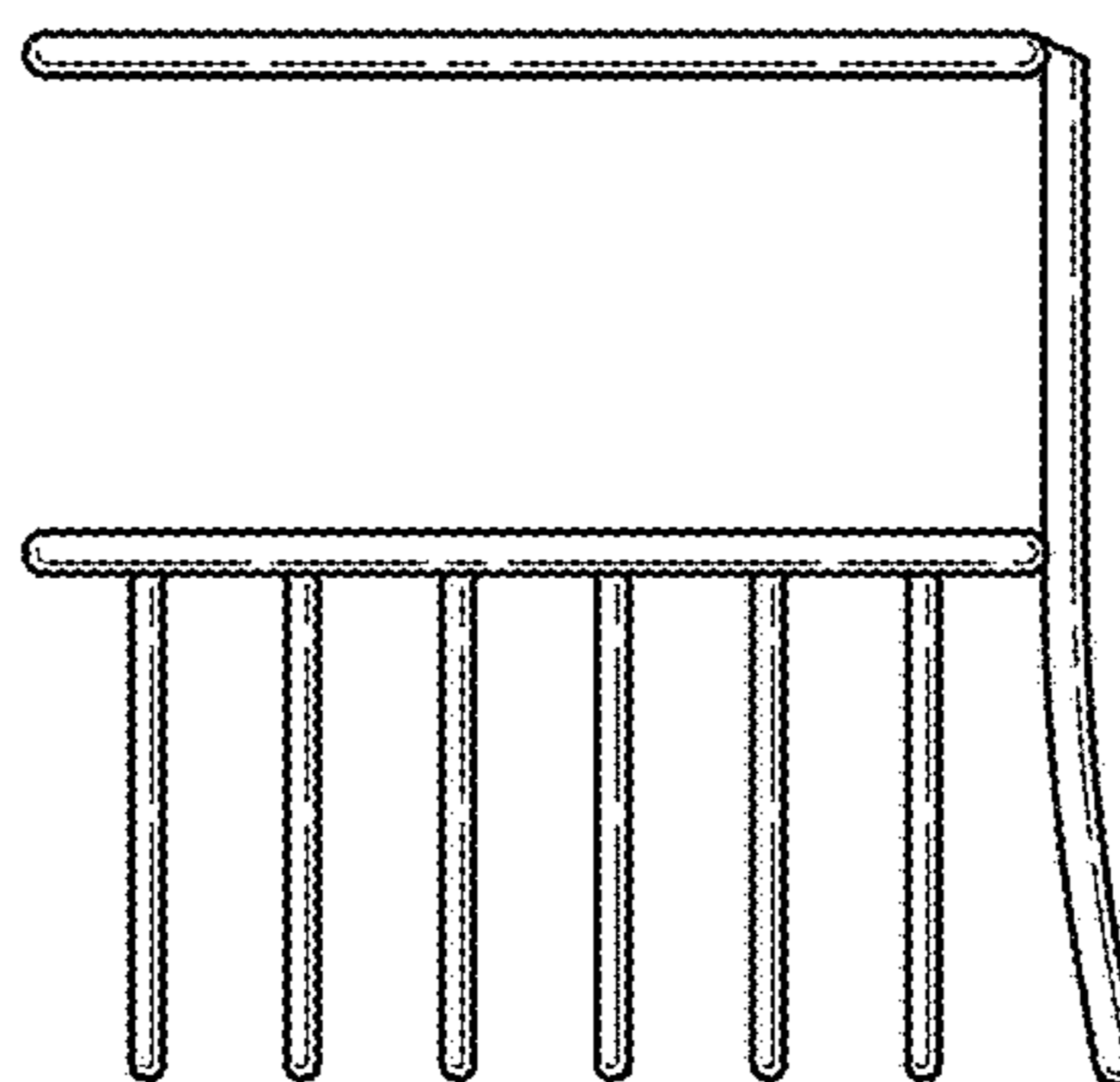


*Fig. 2*

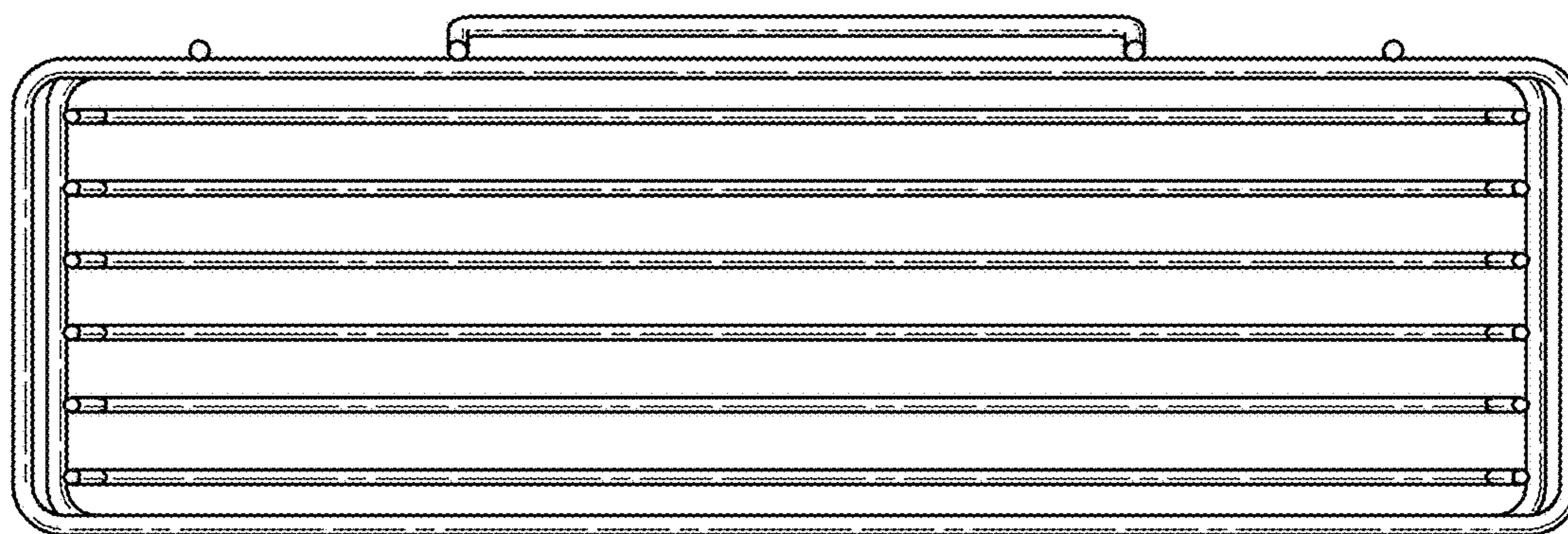




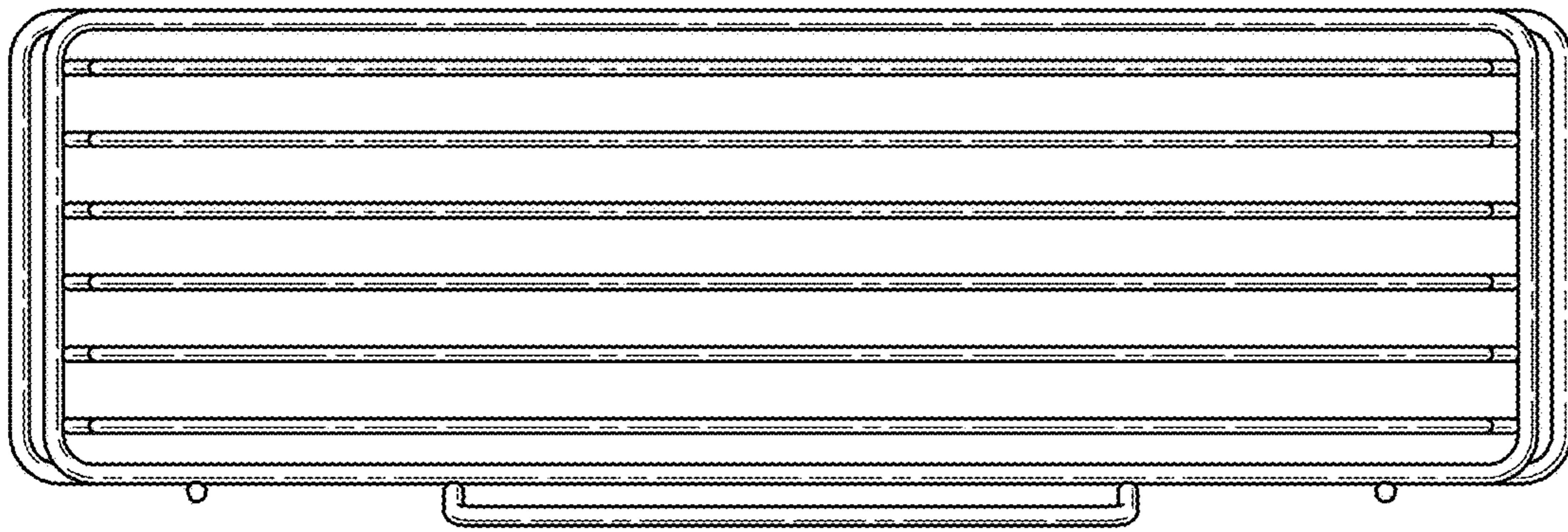
*Fig. 3*



*Fig. 4*



*Fig. 5*



*Fig. 6*