



US00D779231S

(12) **United States Design Patent** (10) **Patent No.:** **US D779,231 S**
Pan et al. (45) **Date of Patent:** **** Feb. 21, 2017**

(54) **HOLDER**
(71) Applicant: **3M INNOVATIVE PROPERTIES COMPANY**, St. Paul, MN (US)
(72) Inventors: **Angela L. Pan**, Arden Hills, MN (US); **Craig D. Thompson**, Inver Grove Heights, MN (US)
(73) Assignee: **3M INNOVATIVE PROPERTIES COMPANY**, St. Paul, MN (US)

D554,417 S * 11/2007 Thorsteinsson D6/566
D554,419 S * 11/2007 Thompson D6/566
D559,024 S * 1/2008 Tau D6/566
D574,647 S * 8/2008 Snider D6/513
D584,056 S * 1/2009 Ghiorghie D3/304
D588,814 S * 3/2009 Ghiorghie D3/304
D612,648 S * 3/2010 Guindi D6/525
D616,680 S * 6/2010 Snider D6/513
D628,385 S * 12/2010 Klein D6/513

(Continued)

(**) Term: **15 Years**
(21) Appl. No.: **29/547,470**
(22) Filed: **Dec. 3, 2015**
(51) **LOC (10) Cl.** **06-04**
(52) **U.S. Cl.**
USPC **D6/566; D6/524**
(58) **Field of Classification Search**
USPC D6/566, 574, 536-537, 524, 525, 540, D6/567, 320; 211/13.1, 74, 71.01, 86.01, 211/75, 88.01, 90.01, 90.03, 106, 119, 211/126.1, 133.5, 181.1, 134, 87.01; 248/206.2-206.3; D3/306; 55-56; D7/637
CPC B23P 17/04; A47K 1/09; A47K 1/08; F16B 47/00
See application file for complete search history.

OTHER PUBLICATIONS

Amazon.com, Command Wall and Cabinet Organizer, Satin Nickel, 1-Organizer (BATH37-SN-ES), Feb. 24, 2016, https://www.amazon.com/Command-Cabinet-Organizer-1-Organizer-BATH37-SN-ES/dp/B01C60CAYU/ref=sr_1_4?ie=UTF8&qid=1474917874&sr=8-4&keywords=Command+satin+nickel.*

(Continued)

Primary Examiner — David Muller
Assistant Examiner — Nathan Johnston
(74) *Attorney, Agent, or Firm* — Irina Hass

(57) **CLAIM**

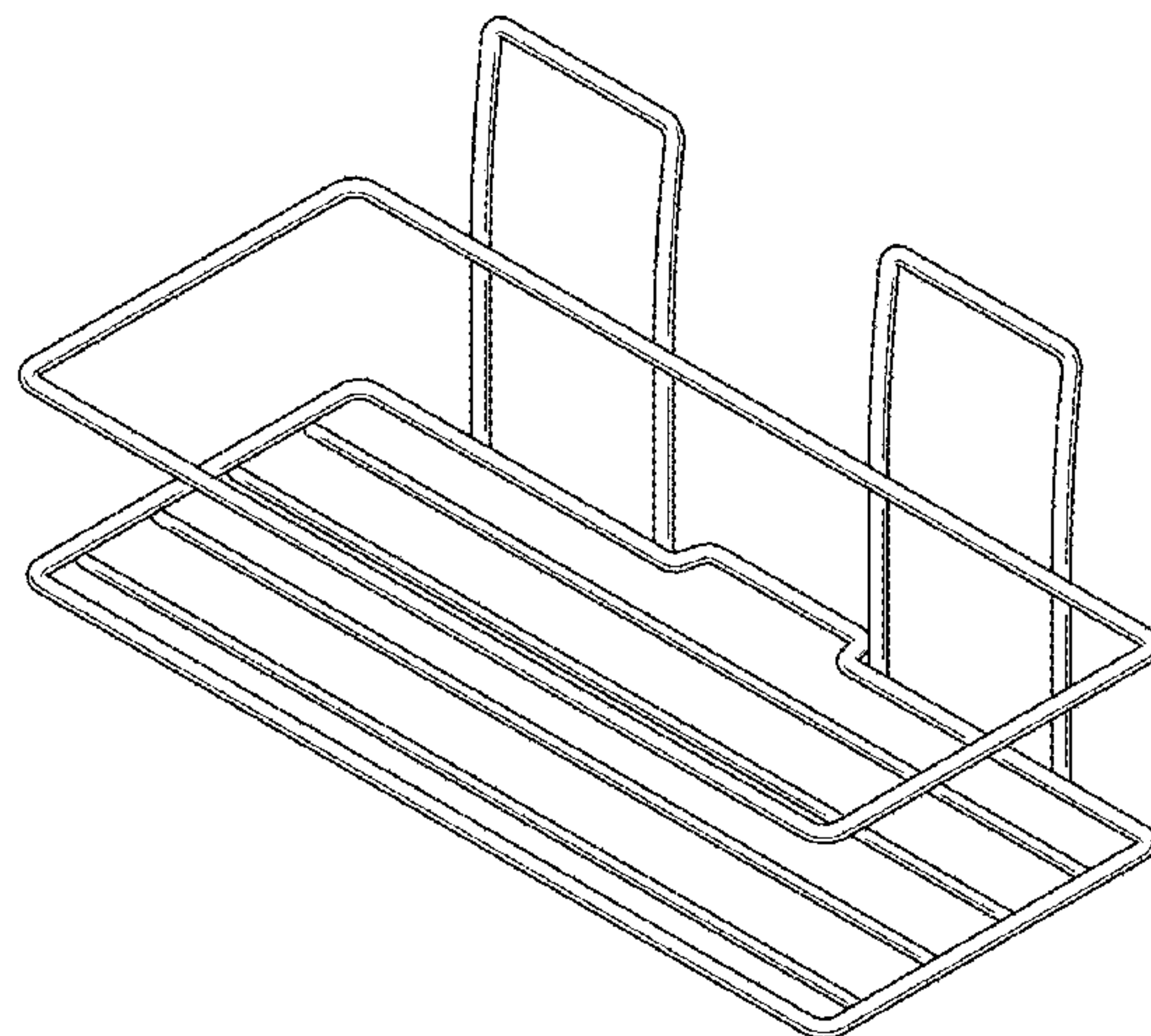
The ornamental design for a holder, as shown and described.

DESCRIPTION

FIG. 1 is a perspective view showing a new design for a holder;
FIG. 2 is a front elevation view thereof;
FIG. 3 is a top plan view thereof;
FIG. 4 is a bottom plan view thereof;
FIG. 5 is a left side elevation view thereof, a right side elevation view being a mirror image thereof;
FIG. 6 is a rear elevation view thereof; and,
FIG. 7 is a perspective view thereof showing the holder with a cup.
The portions of the holder in FIG. 7 shown in broken lines are included to show features that form no part of the claimed design.

1 Claim, 4 Drawing Sheets

(56) **References Cited**
U.S. PATENT DOCUMENTS
3,212,742 A * 10/1965 Pavoni D06F 81/003
248/117.1
D237,674 S * 11/1975 Seltzar D6/566
4,671,009 A * 6/1987 Faunce A01K 97/00
211/181.1
D339,942 S * 10/1993 Emalfarb D6/513
D343,712 S * 1/1994 Linder D6/513
D399,381 S * 10/1998 Hoernig D6/566
D449,480 S * 10/2001 Snell D6/525
D450,213 S * 11/2001 Snell D6/566
D472,750 S * 4/2003 Clucas D6/525
D507,108 S * 7/2005 Suero, Jr. D3/304



(56)

References Cited

U.S. PATENT DOCUMENTS

D632,081 S	*	2/2011	Klein	D3/306
D650,209 S	*	12/2011	Snider	D6/513
D701,397 S	*	3/2014	Snider	D6/566
D705,565 S	*	5/2014	Schraufnagel	D6/513
D717,070 S	*	11/2014	Callif	D6/553
D728,255 S	*	5/2015	Guindi	D6/513
D757,457 S	*	5/2016	Guindi	D6/513

OTHER PUBLICATIONS

U.S. Appl. No. 62/173,646, filed Jun. 10, 2015, entitled "Mounting Assembly".

* cited by examiner

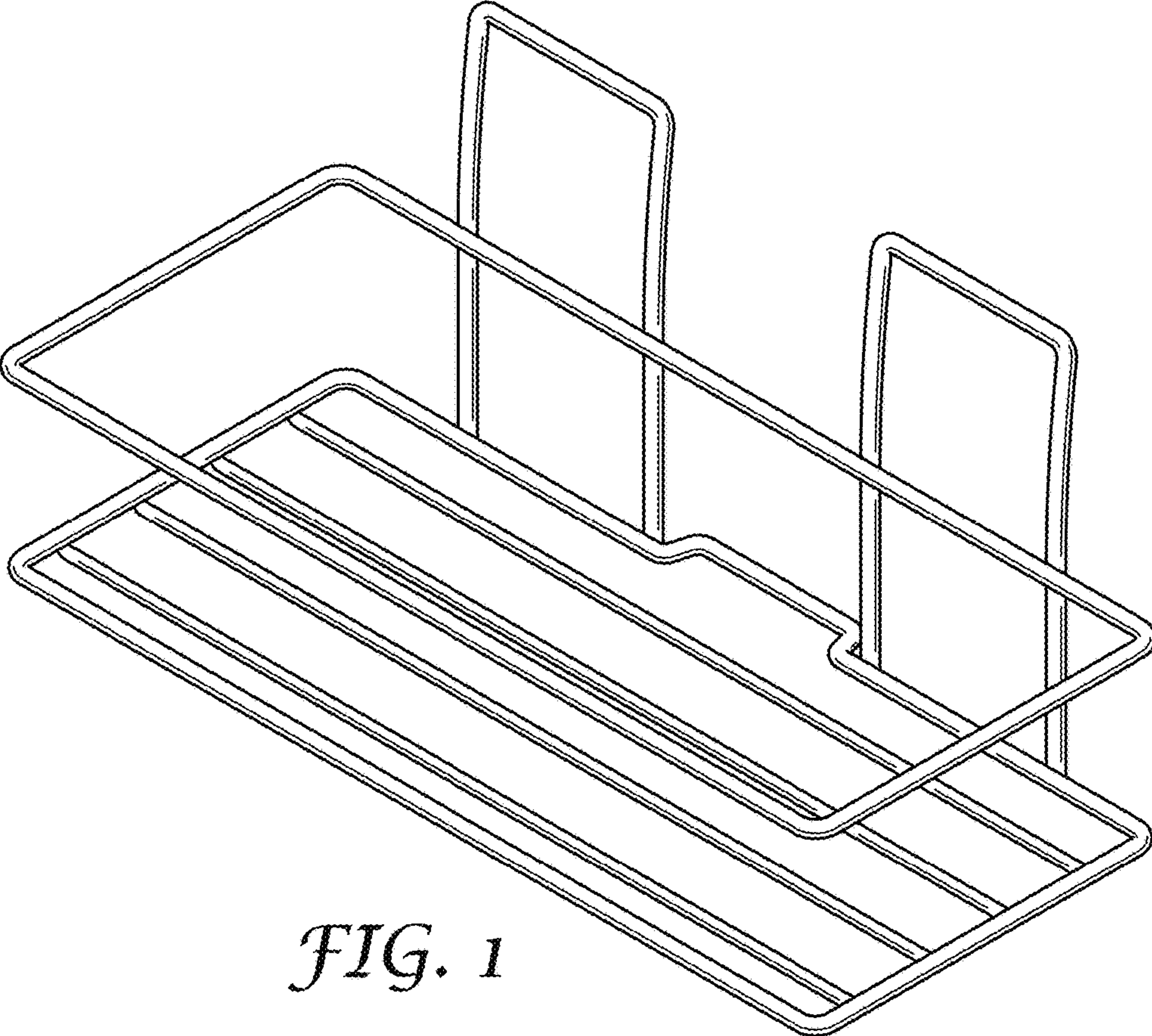


FIG. 1

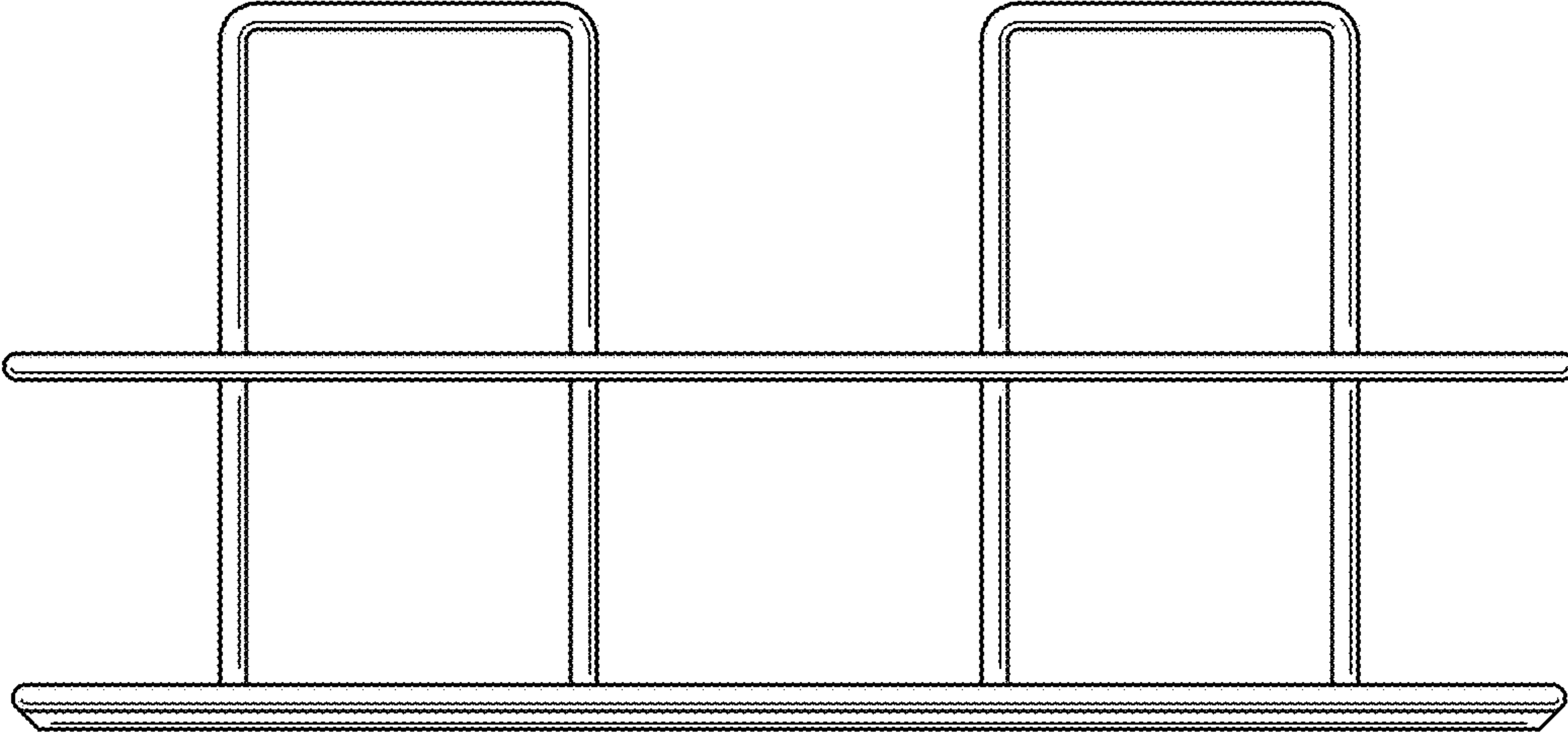


FIG. 2

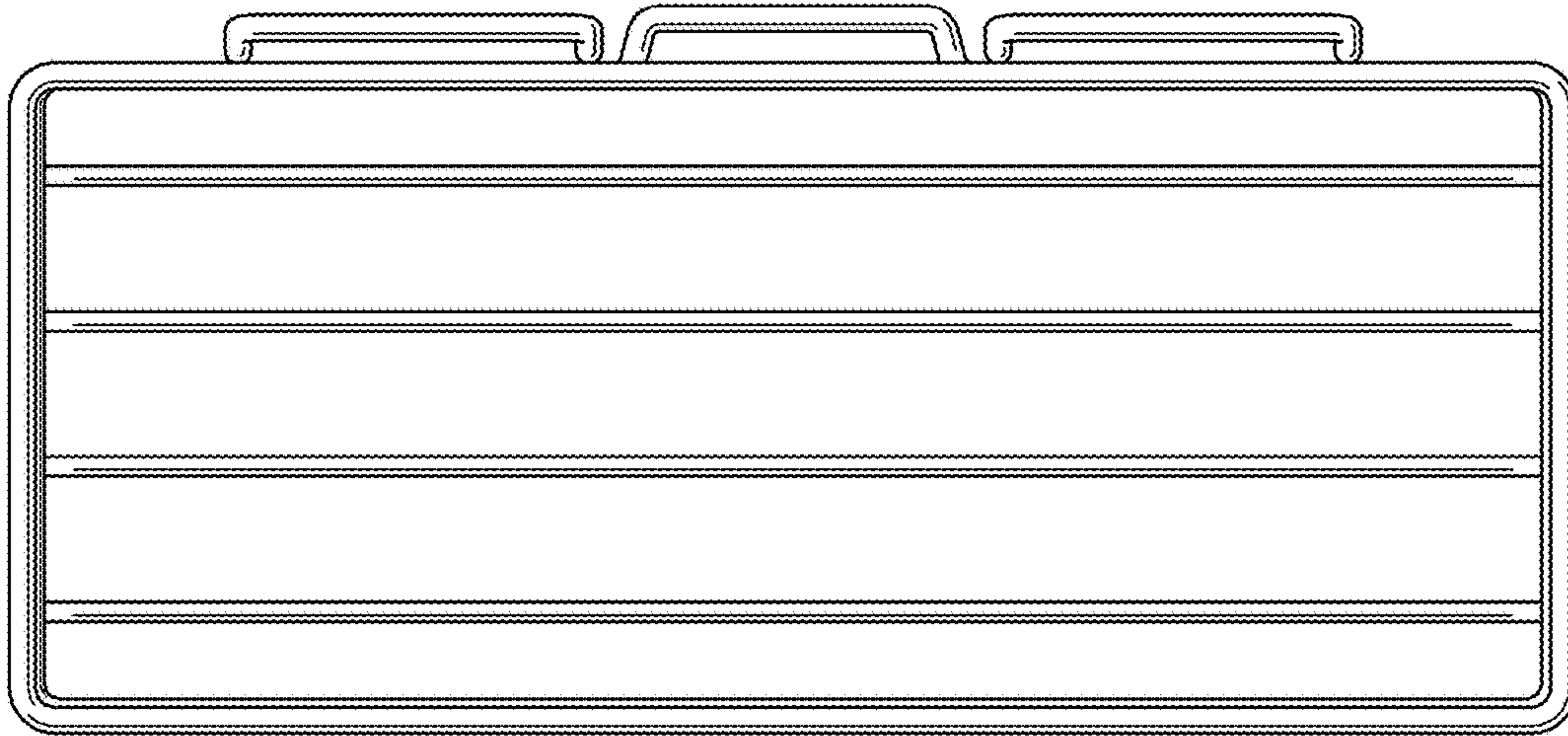


FIG. 3

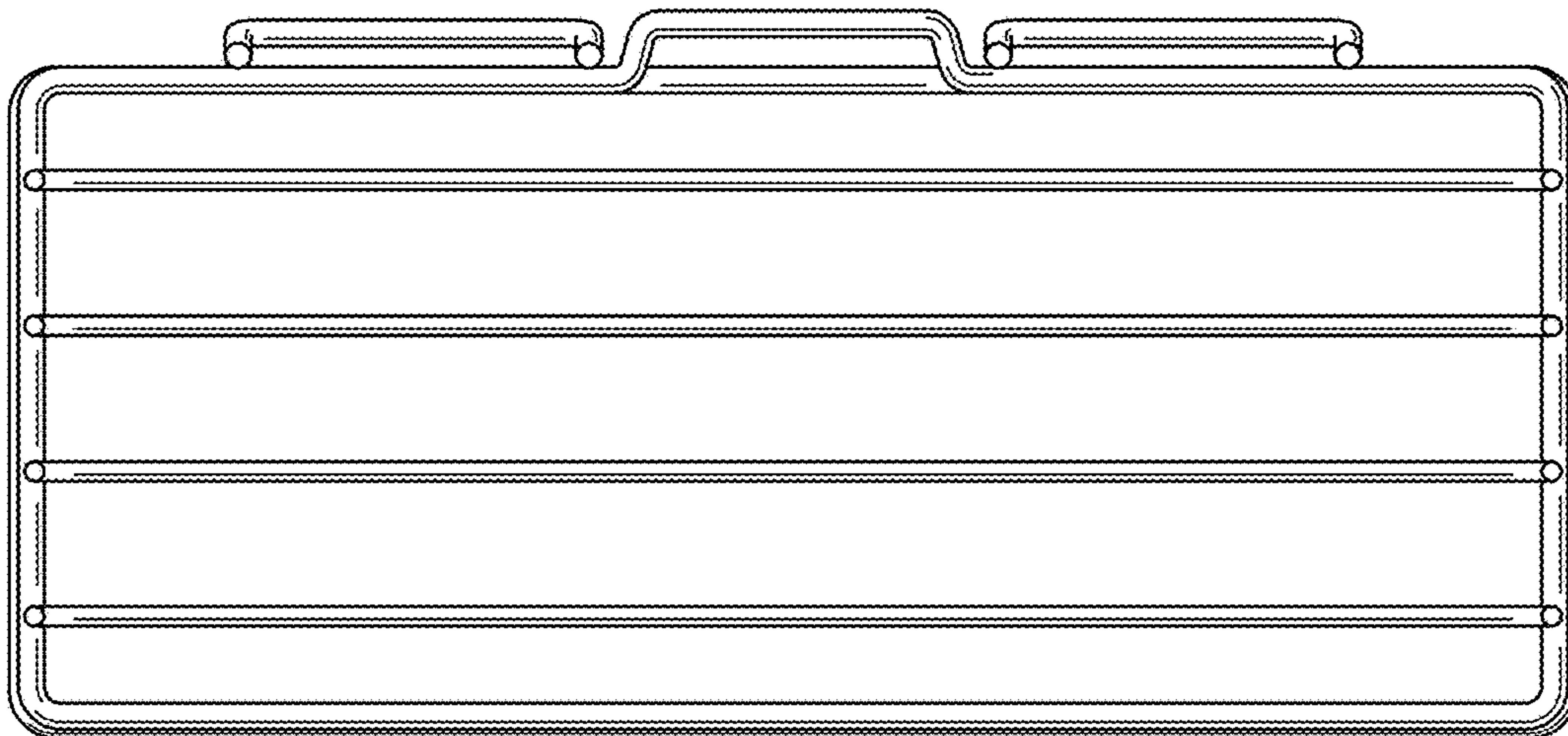


FIG. 4

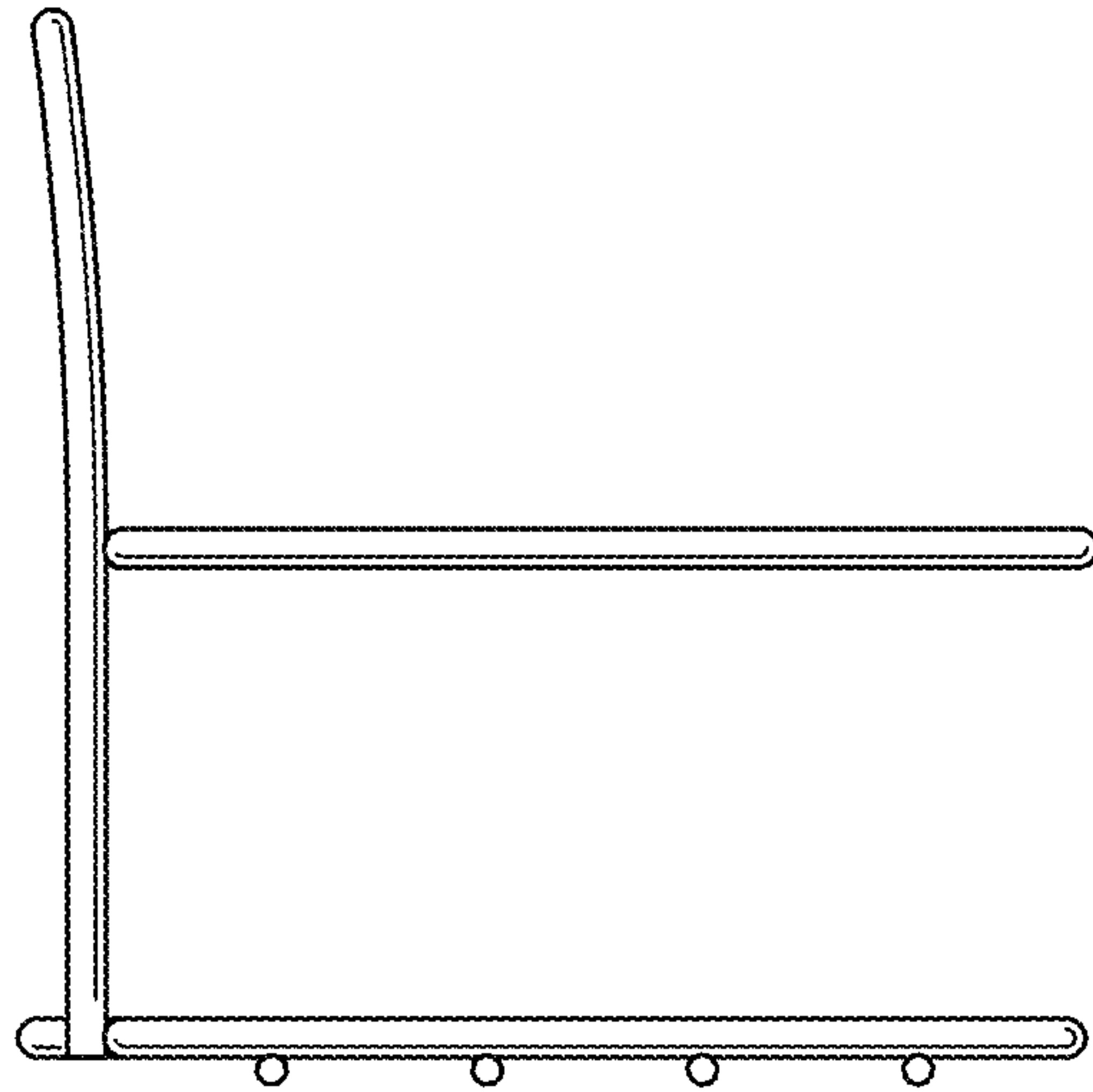


FIG. 5

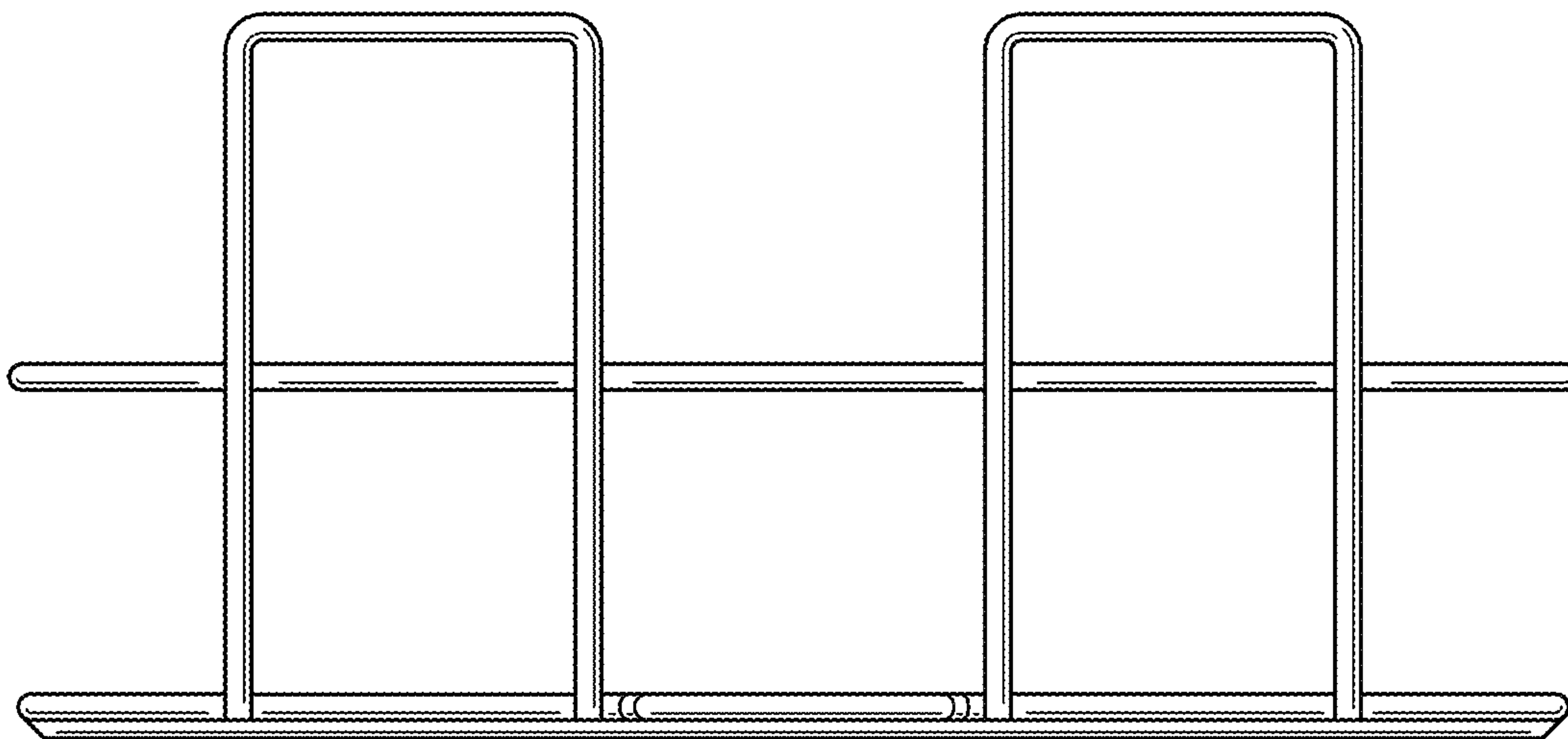


FIG. 6

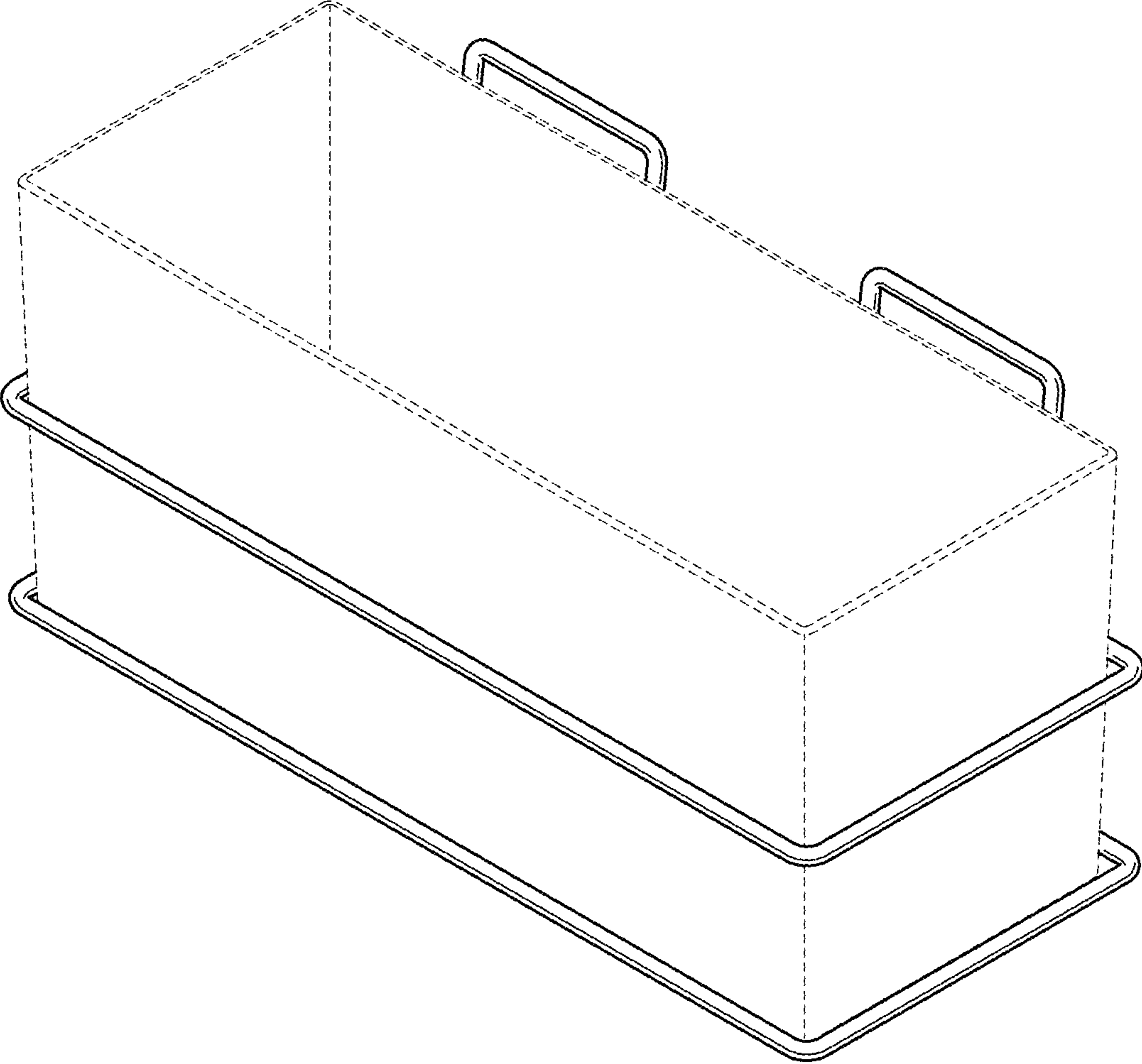


FIG. 7