



US00D779230S

(12) **United States Design Patent**  
**Joseph**

(10) **Patent No.:** **US D779,230 S**

(45) **Date of Patent:** **\*\* Feb. 21, 2017**

(54) **TOWEL HANGER**

(71) Applicant: **Rony Koshy Joseph**, West Lafayette,  
IN (US)

(72) Inventor: **Rony Koshy Joseph**, West Lafayette,  
IN (US)

(\*\*) Term: **14 Years**

(21) Appl. No.: **29/520,489**

(22) Filed: **Mar. 15, 2015**

(51) **LOC (10) Cl.** ..... **06-04**

(52) **U.S. Cl.**  
USPC ..... **D6/548**

(58) **Field of Classification Search**  
USPC ..... D6/546–550, 512–525; D8/300,  
D8/315–321, 354, 363, 373, 380;  
108/28–29; 211/13.1, 16, 85.5, 86.01,  
87.01, 88.04, 211/100, 105.1, 105.2, 106,  
113, 123, 181.1, 211/182–183; 248/49,  
175, 176.1, 200, 201, 248/205.1, 251,  
302, 309.1, 315; 242/570, 590,  
242/595–598; D25/45  
CPC ..... A47K 10/3836; A47K 10/38  
See application file for complete search history.

(56) **References Cited**

**U.S. PATENT DOCUMENTS**

- 4,323,162 A \* 4/1982 Steinhilber ..... A47G 25/0685  
211/100
- 4,360,109 A \* 11/1982 Kurtz ..... D06F 57/12  
211/100
- 4,366,908 A \* 1/1983 Anderson ..... A47B 96/061  
211/87.01
- D274,026 S \* 5/1984 Boroch ..... D6/548

- D282,705 S \* 2/1986 Chap ..... D6/548
- D296,058 S \* 6/1988 Pirrone ..... D6/521
- 5,020,759 A \* 6/1991 Weber ..... A47F 7/005  
211/87.01
- D338,125 S \* 8/1993 Sample ..... D6/548
- D410,580 S \* 6/1999 Kaffenberger, Sr. .... D34/38
- D563,666 S \* 3/2008 Davis ..... D3/202
- D571,592 S \* 6/2008 Bickler ..... D6/548
- D590,645 S \* 4/2009 Weststrate ..... D6/548
- 2012/0261371 A1 \* 10/2012 Baines ..... A47H 1/022  
211/123

\* cited by examiner

*Primary Examiner* — David Muller  
*Assistant Examiner* — Nathan Johnston

(57) **CLAIM**

The ornamental design for a towel hanger, as shown and described.

**DESCRIPTION**

FIG. 1 is a front perspective view of the towel hanger showing my new design in one of many possible arrangements of its sliding elements;

FIG. 2 is a front elevation view thereof;

FIG. 3 is a rear elevation view thereof;

FIG. 4 is a left side elevation view thereof;

FIG. 5 is a right side elevation view thereof;

FIG. 6 is a top plan view thereof;

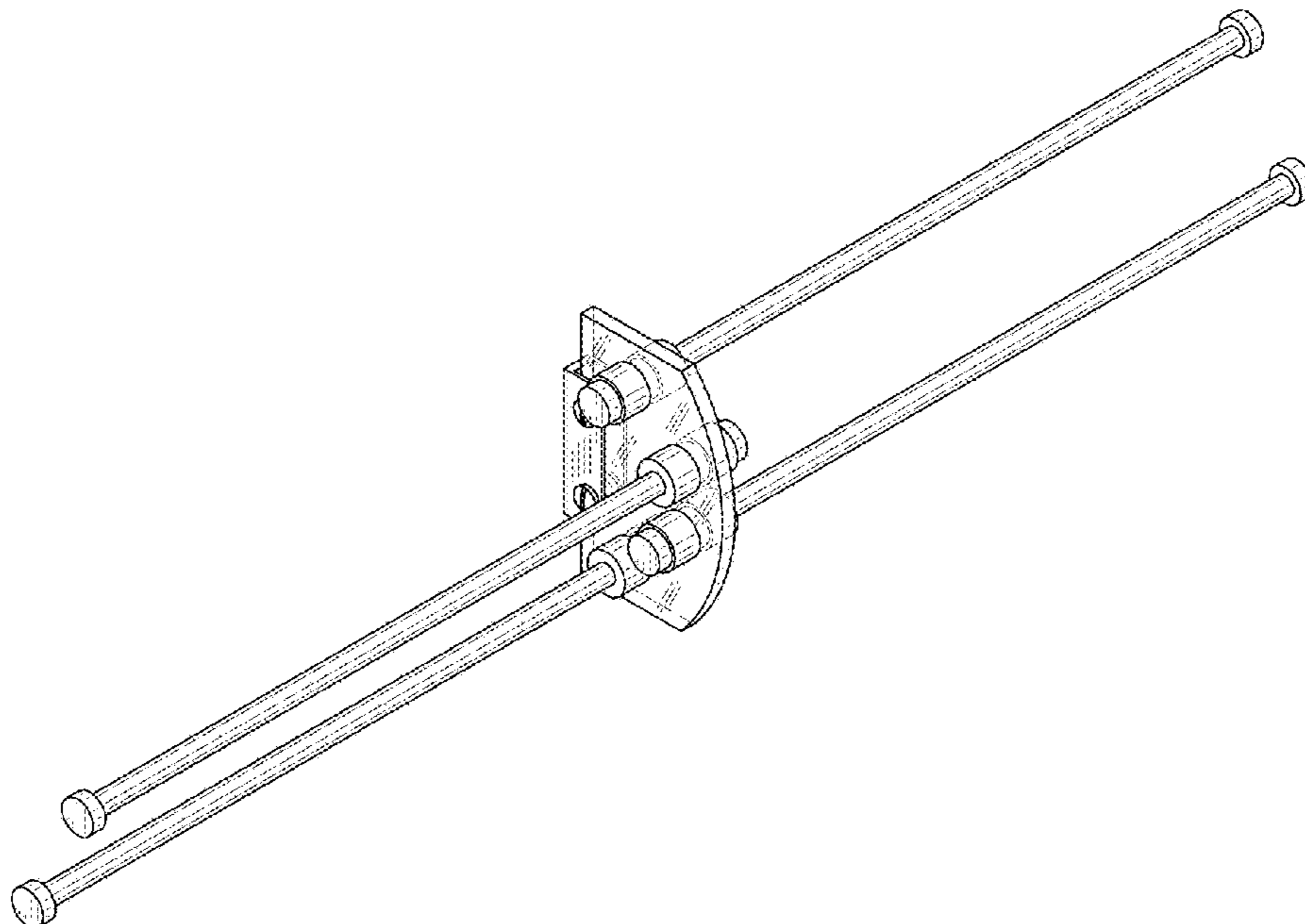
FIG. 7 is a bottom plan view thereof;

FIG. 8 is a front perspective view of the towel hanger in a second of many possible arrangements of its sliding elements; and,

FIG. 9 is a front perspective view of the towel hanger in a third of many possible arrangements of its sliding elements.

The invention is a device for hanging towels.

**1 Claim, 6 Drawing Sheets**



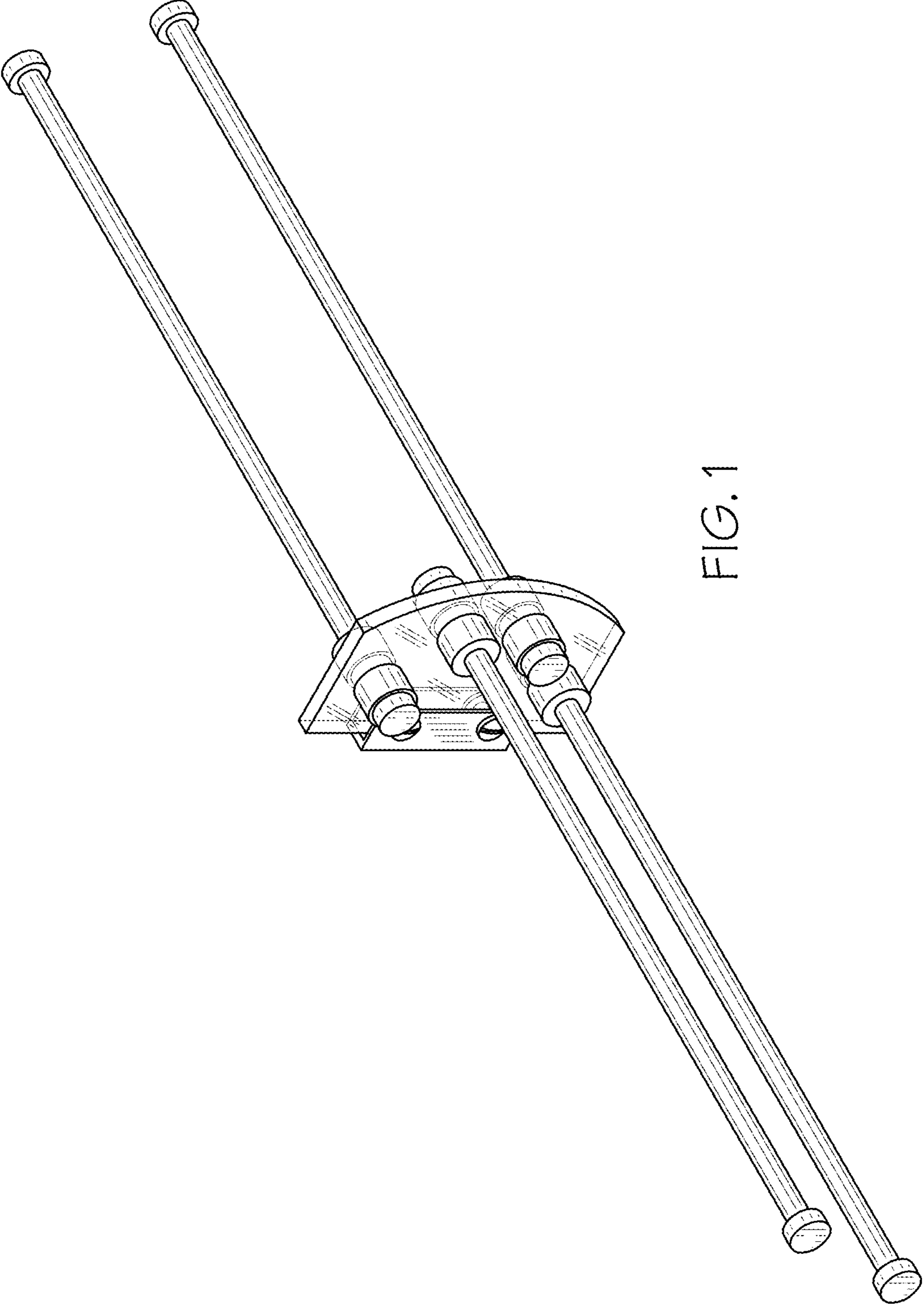


FIG. 1

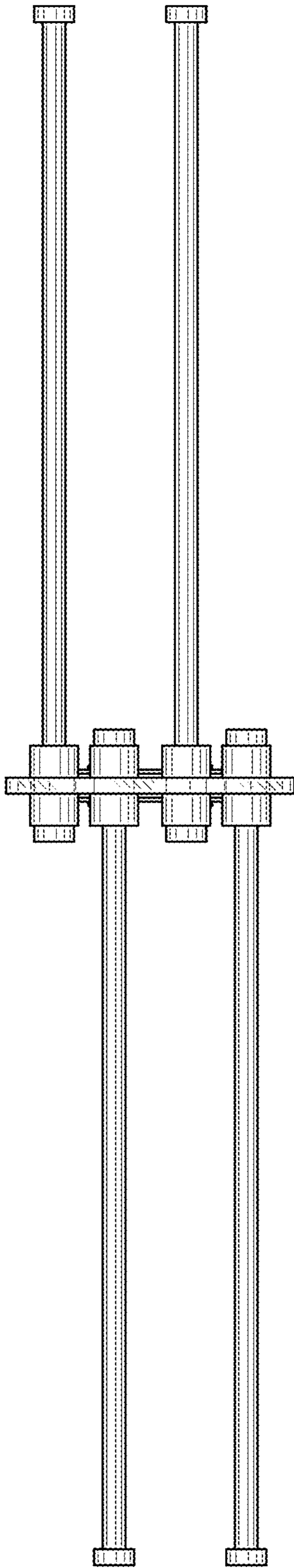


FIG. 2

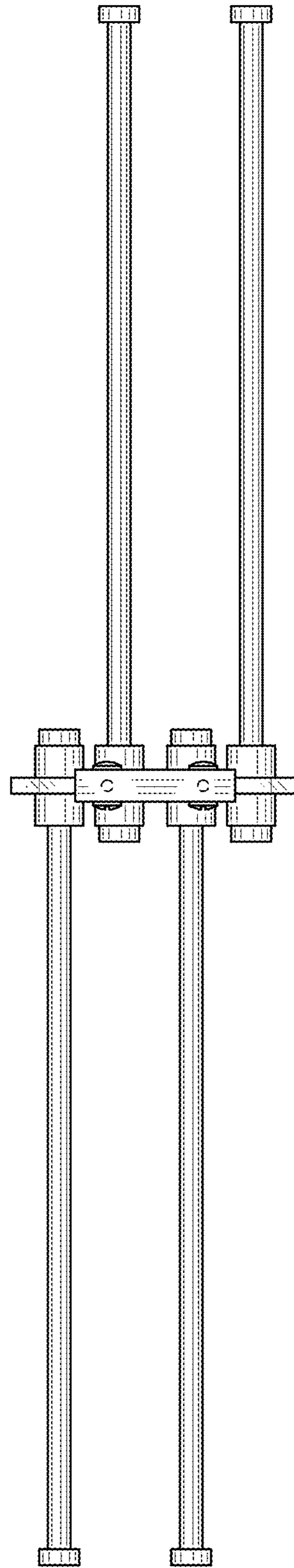


FIG. 3

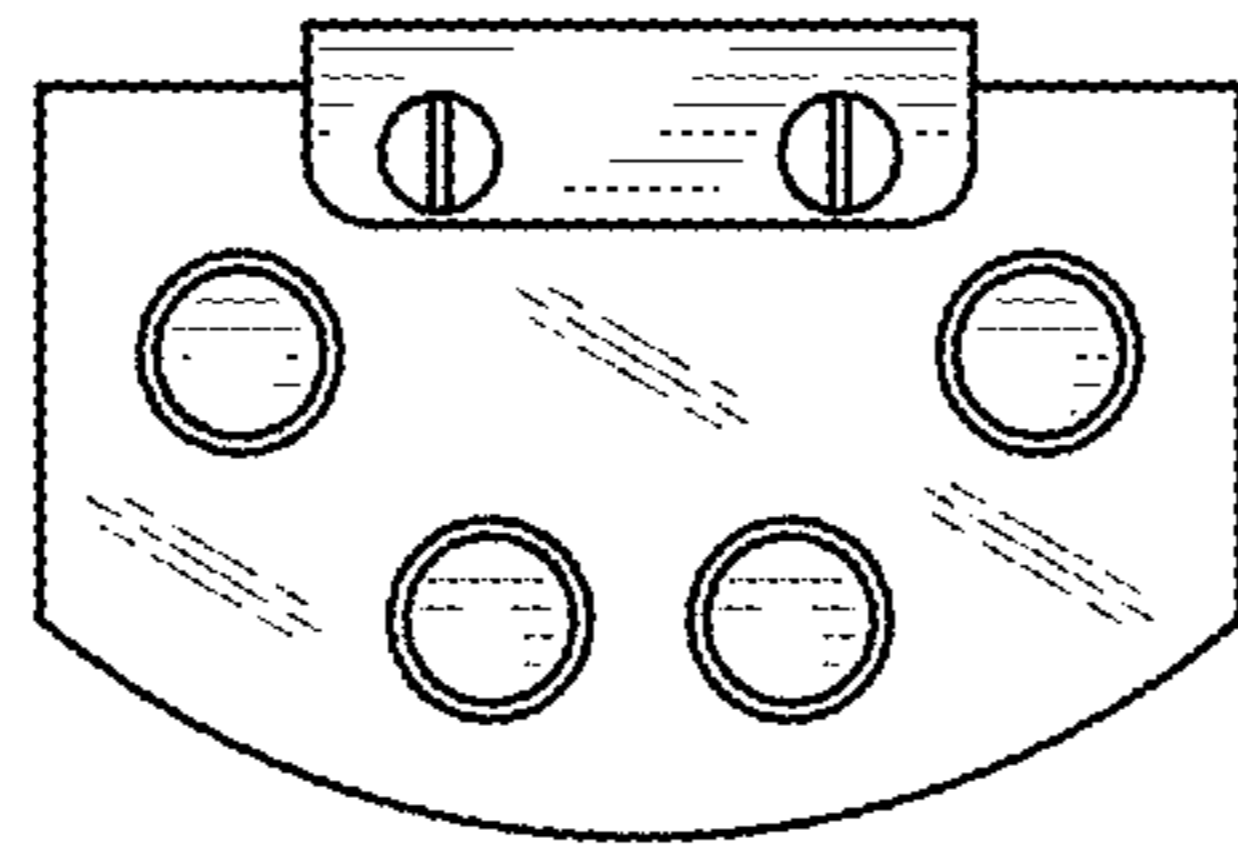


FIG. 5

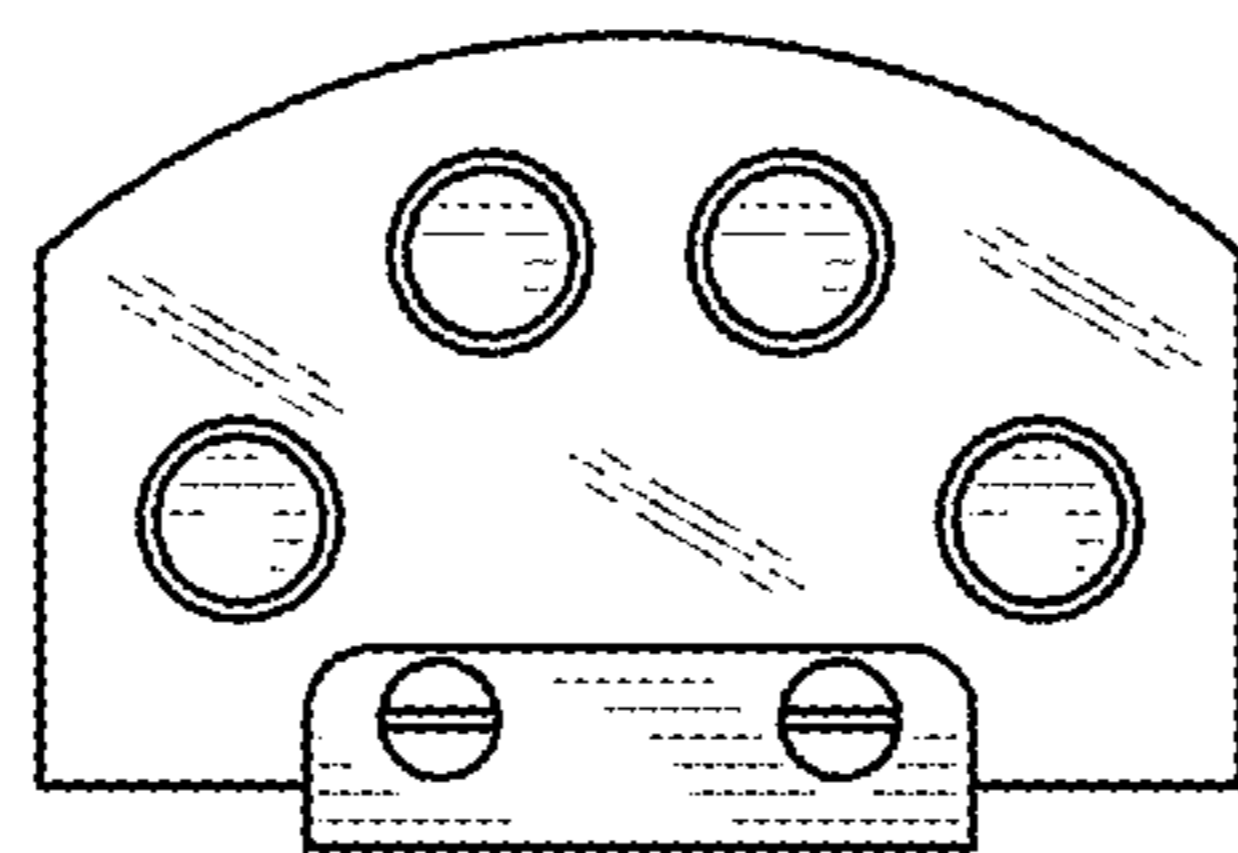


FIG. 4

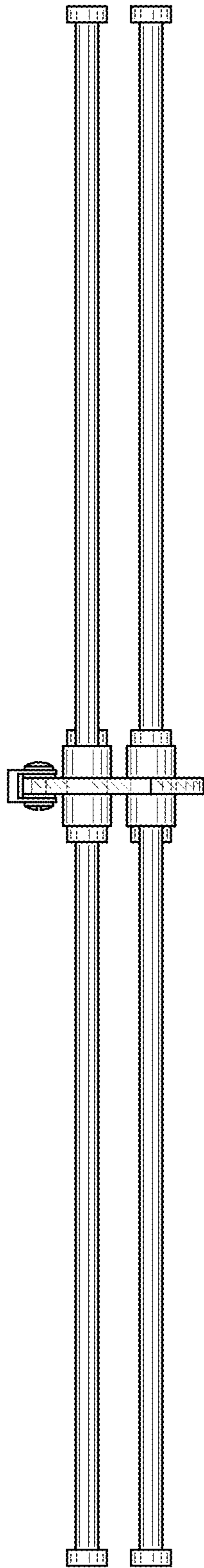


FIG. 6

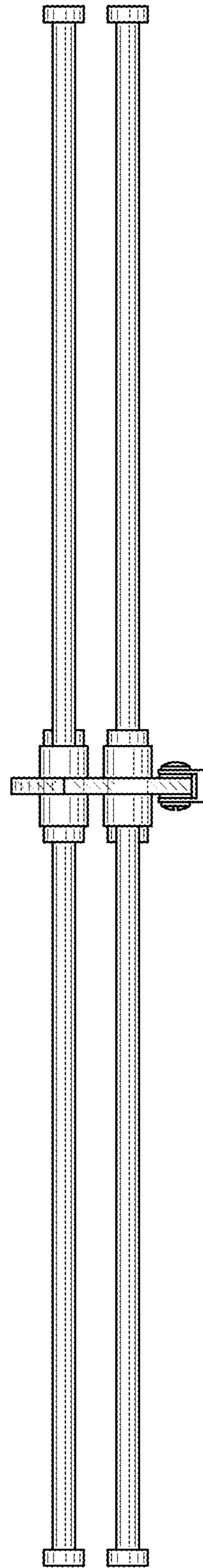


FIG. 7

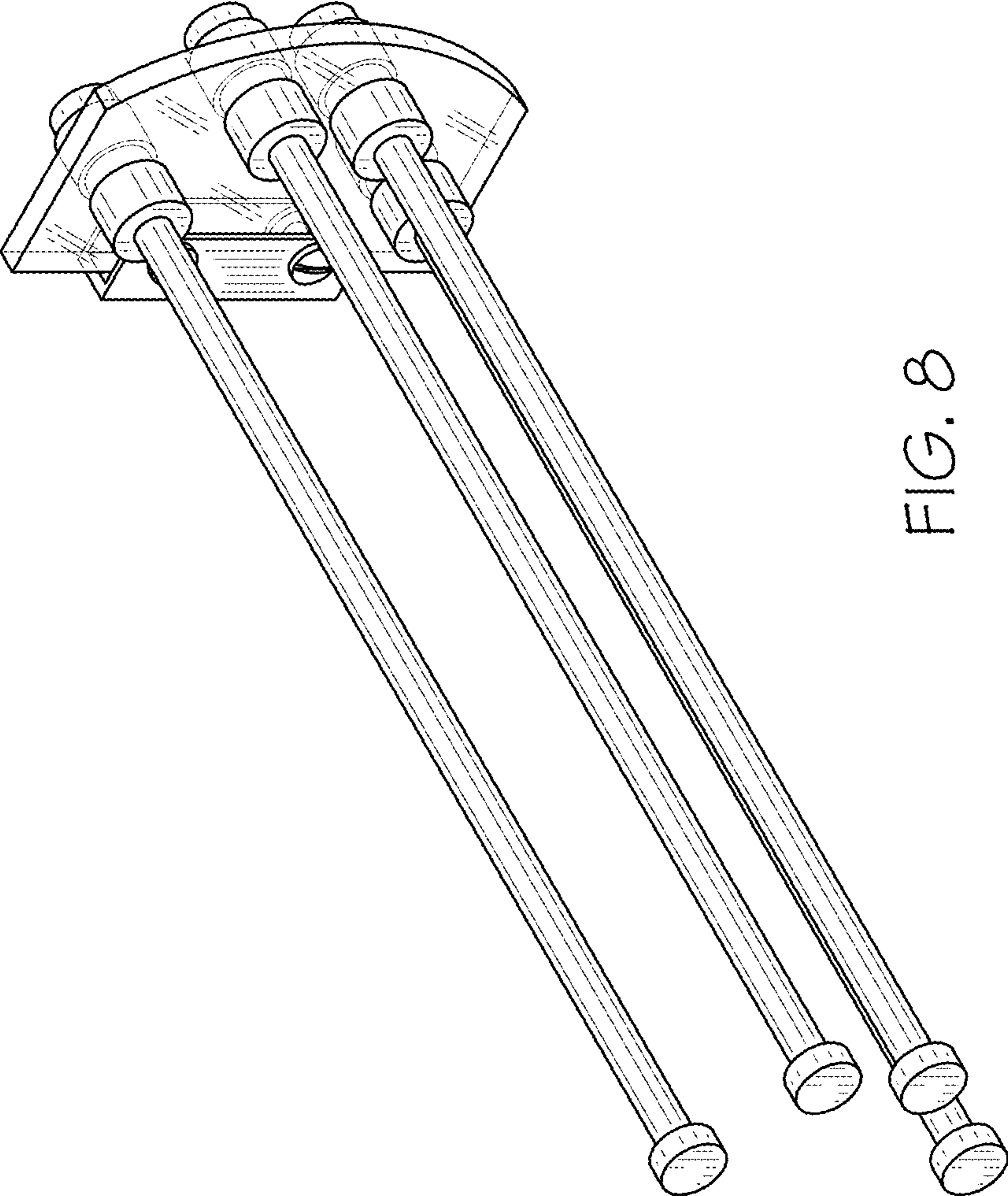


FIG. 8

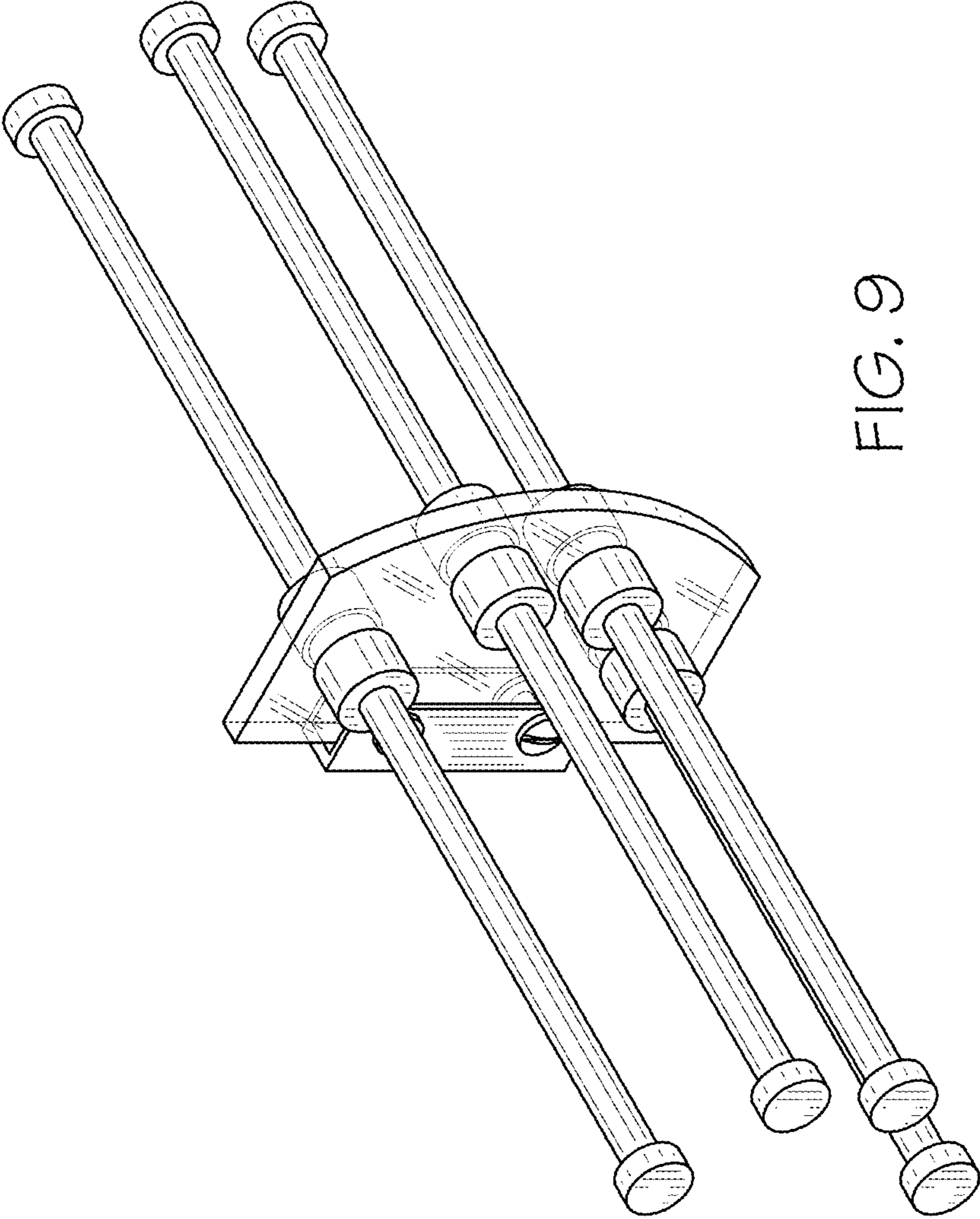


FIG. 9