

US00D779229S

(12) **United States Design Patent** (10) **Patent No.:** **US D779,229 S**  
**Pan et al.** (45) **Date of Patent:** **\*\* Feb. 21, 2017**

(54) **SOAP DISH**  
(71) Applicant: **3M INNOVATIVE PROPERTIES COMPANY**, St. Paul, MN (US)  
(72) Inventors: **Angela L. Pan**, Arden Hills, MN (US); **Craig D. Thompson**, Inver Grove Heights, MN (US)  
(73) Assignee: **3M INNOVATIVE PROPERTIES COMPANY**, St. Paul, MN (US)  
(\*\*) Term: **15 Years**  
(21) Appl. No.: **29/547,435**  
(22) Filed: **Dec. 3, 2015**  
(51) **LOC (10) Cl.** ..... **06-04**  
(52) **U.S. Cl.**  
USPC ..... **D6/537; D6/540**  
(58) **Field of Classification Search**  
USPC ..... D6/536-537, 524, 525, 540, 566, 567, D6/320; 211/13.1, 74, 71.01, 86.01, 75, 211/88.01, 90.01, 90.03, 106, 119, 126.1, 211/133.5, 181.1, 134, 87.01; 248/206.2-206.3; D3/306; D32/55-56; D7/637  
CPC ..... B23P 17/04; A47K 1/09; A47K 1/08; A47K 3/281; F16B 47/00  
See application file for complete search history.

D410,837 S \* 6/1999 Vogels ..... D6/567  
D417,575 S \* 12/1999 Ming-Hsiao ..... D6/537  
D429,102 S \* 8/2000 Patel ..... D6/537  
D435,992 S \* 1/2001 Min-Tsung ..... D6/540  
D449,752 S \* 10/2001 Snell ..... D6/537  
6,478,271 B1 \* 11/2002 Mulholland ..... F16B 47/00  
248/205.8  
D468,144 S \* 1/2003 Shayo ..... D6/537  
D478,443 S \* 8/2003 Clucas ..... D6/537  
6,669,033 B1 \* 12/2003 Lian ..... F16B 47/00  
211/106  
D496,816 S \* 10/2004 Hoernig ..... D6/540  
D532,636 S 11/2006 Thorsteinsson  
D543,403 S \* 5/2007 Tau ..... D6/540  
7,267,308 B1 \* 9/2007 Jenson ..... A47J 47/16  
211/181.1  
D554,407 S 11/2007 Thompson  
D568,081 S \* 5/2008 Thompson ..... D6/568  
D621,191 S \* 8/2010 Schonherr ..... D6/546

(Continued)

**OTHER PUBLICATIONS**

U.S. Appl. No. 62/173,646, filed Jun. 10, 2015, entitled "Mounting Assembly".

*Primary Examiner* — David Muller  
*Assistant Examiner* — Nathan Johnston  
(74) *Attorney, Agent, or Firm* — Irina Hass

(57) **CLAIM**

The ornamental design for a soap dish, as shown and described.

**DESCRIPTION**

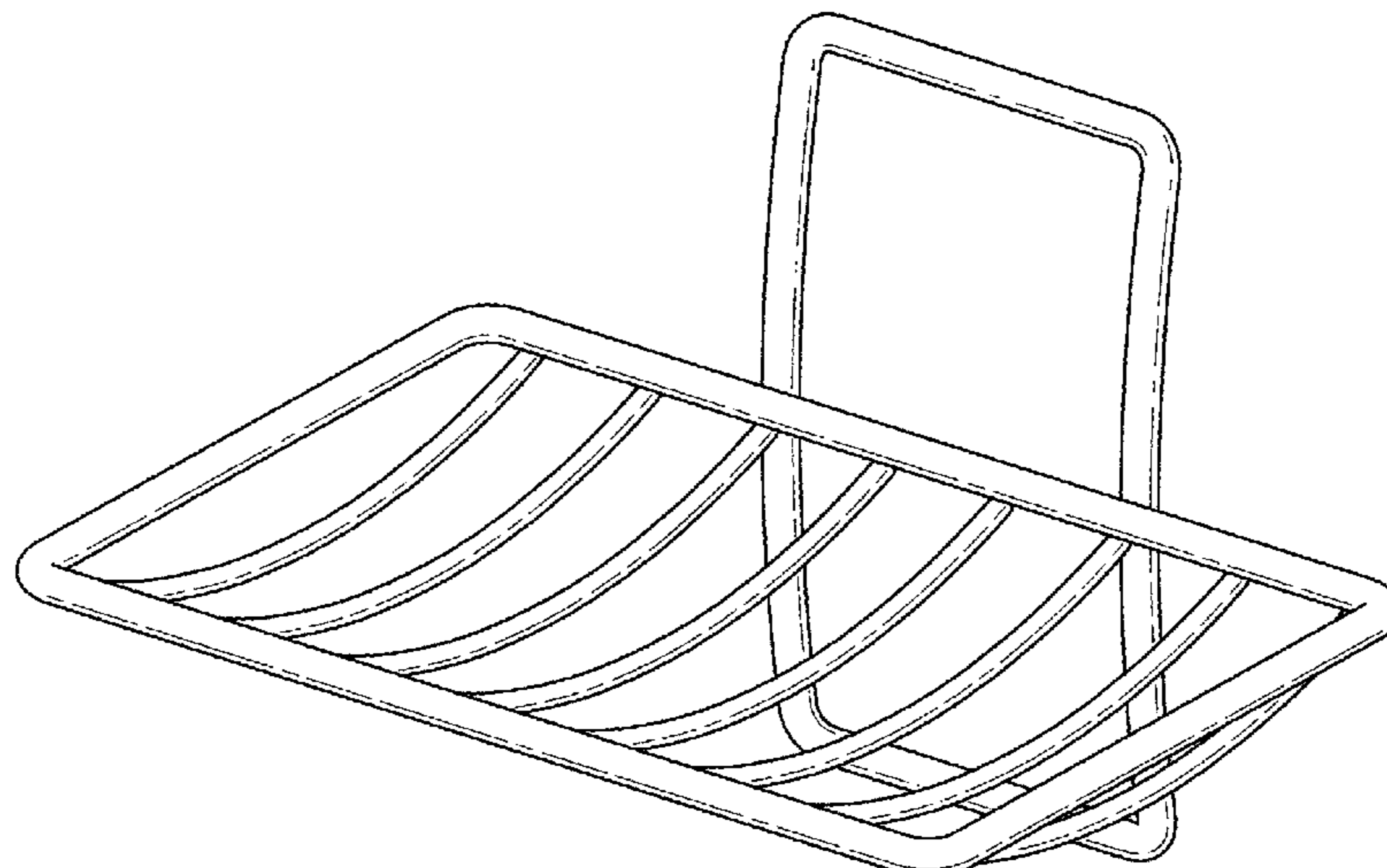
FIG. 1 is a perspective view showing a new design for a soap dish;  
FIG. 2 is a front elevation view thereof;  
FIG. 3 is a rear elevation view thereof;  
FIG. 4 is a right side elevation view thereof, a left side elevation view being a mirror image thereof;  
FIG. 5 is a top plan view thereof; and,  
FIG. 6 is a bottom plan view thereof.

**1 Claim, 3 Drawing Sheets**

(56) **References Cited**

**U.S. PATENT DOCUMENTS**

D68,538 S \* 10/1925 Moineau ..... D6/537  
1,580,847 A \* 4/1926 Moineau ..... A47K 5/02  
211/106  
D121,813 S \* 8/1940 Isenberg ..... D6/537  
D165,681 S \* 1/1952 Eckenboy ..... D6/546  
D327,596 S \* 7/1992 Emery ..... D6/540  
D349,640 S \* 8/1994 Whitaker ..... D6/574  
D360,093 S \* 7/1995 Bigwood ..... D6/536  
D384,848 S \* 10/1997 von Buelow ..... D6/524  
D386,026 S \* 11/1997 von Buelow ..... D6/540



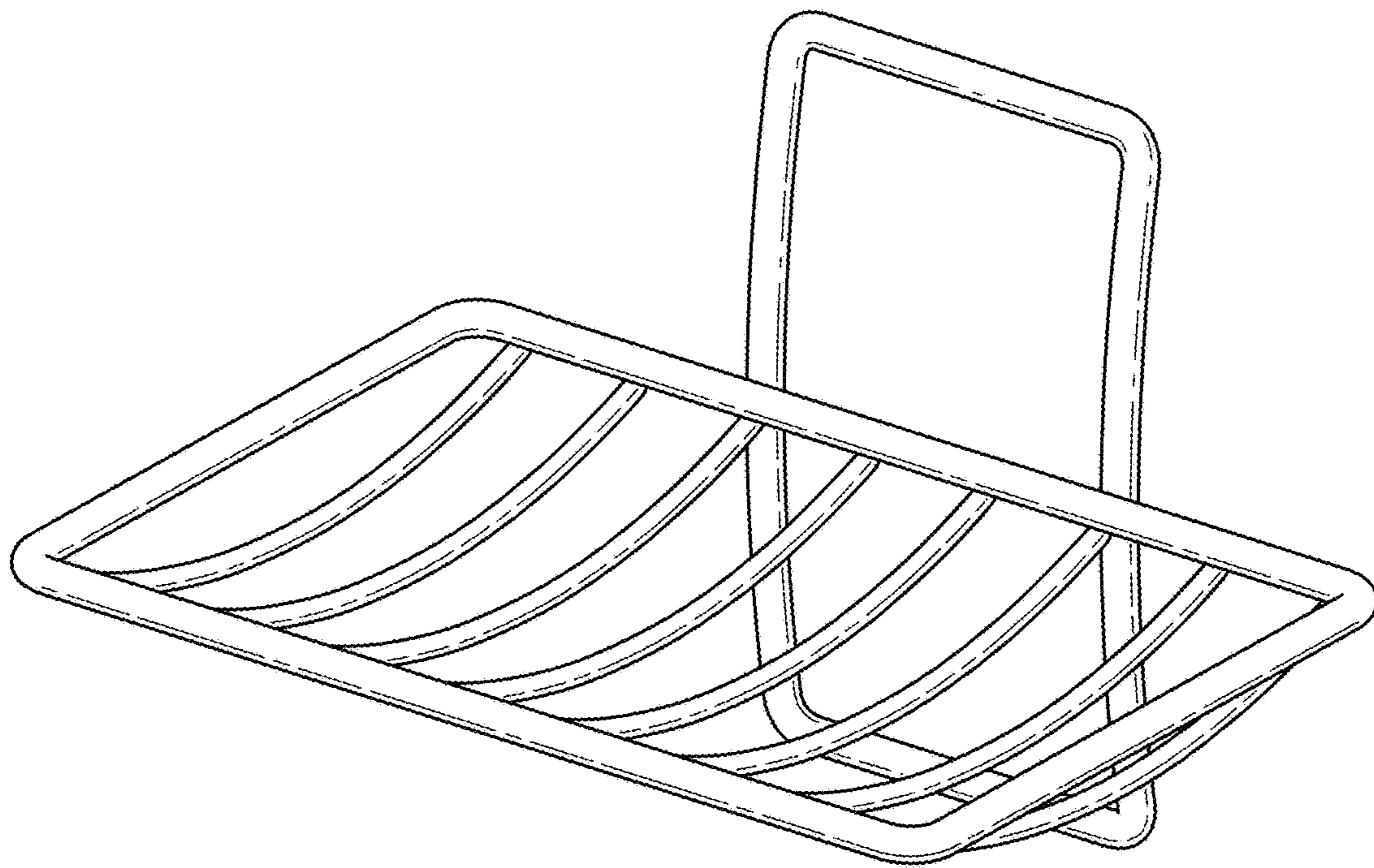
(56)

**References Cited**

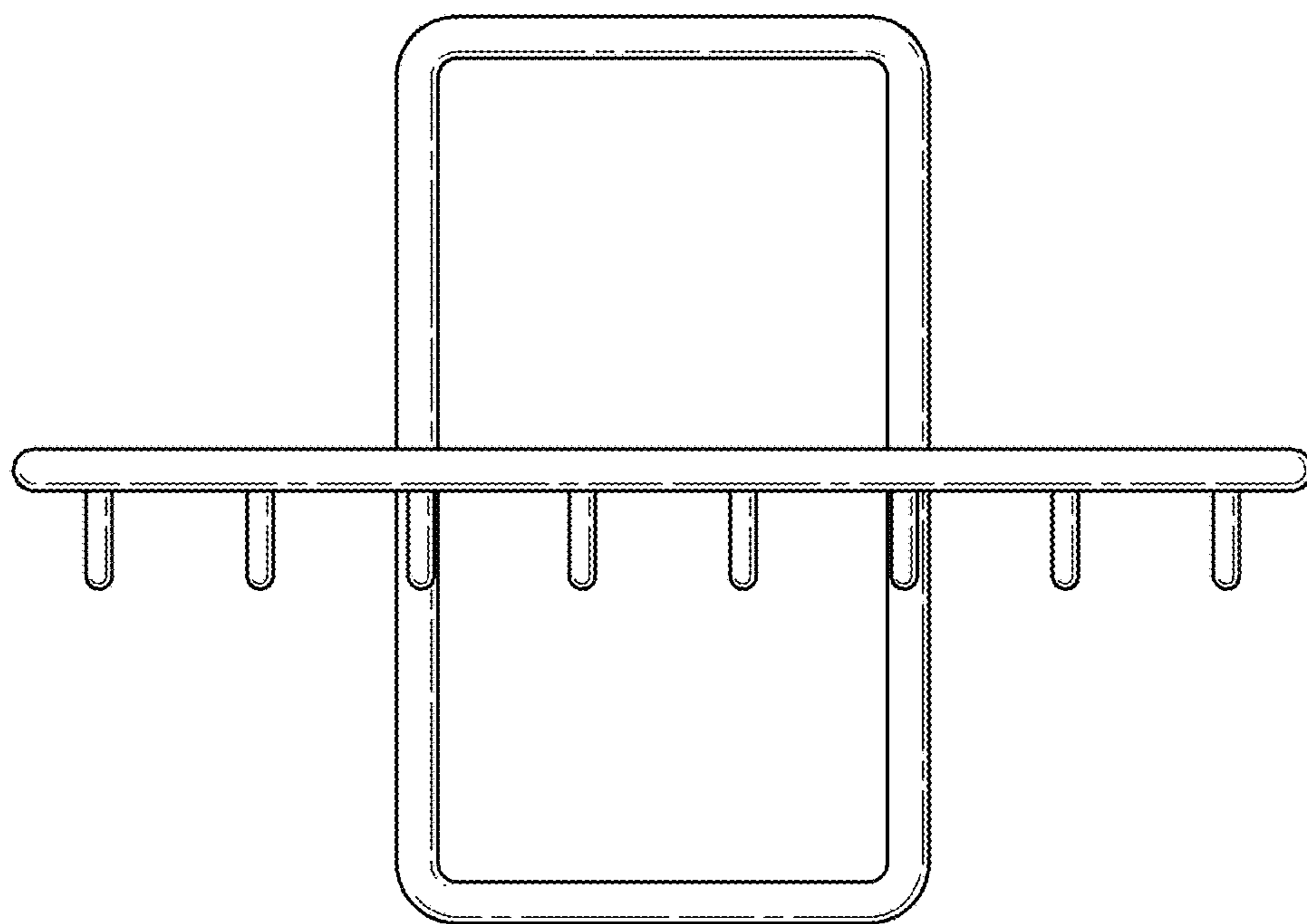
U.S. PATENT DOCUMENTS

D646,099 S \* 10/2011 Mu ..... D6/537  
D717,068 S \* 11/2014 Callif ..... D6/537  
D763,598 S \* 8/2016 Goodman ..... D6/537

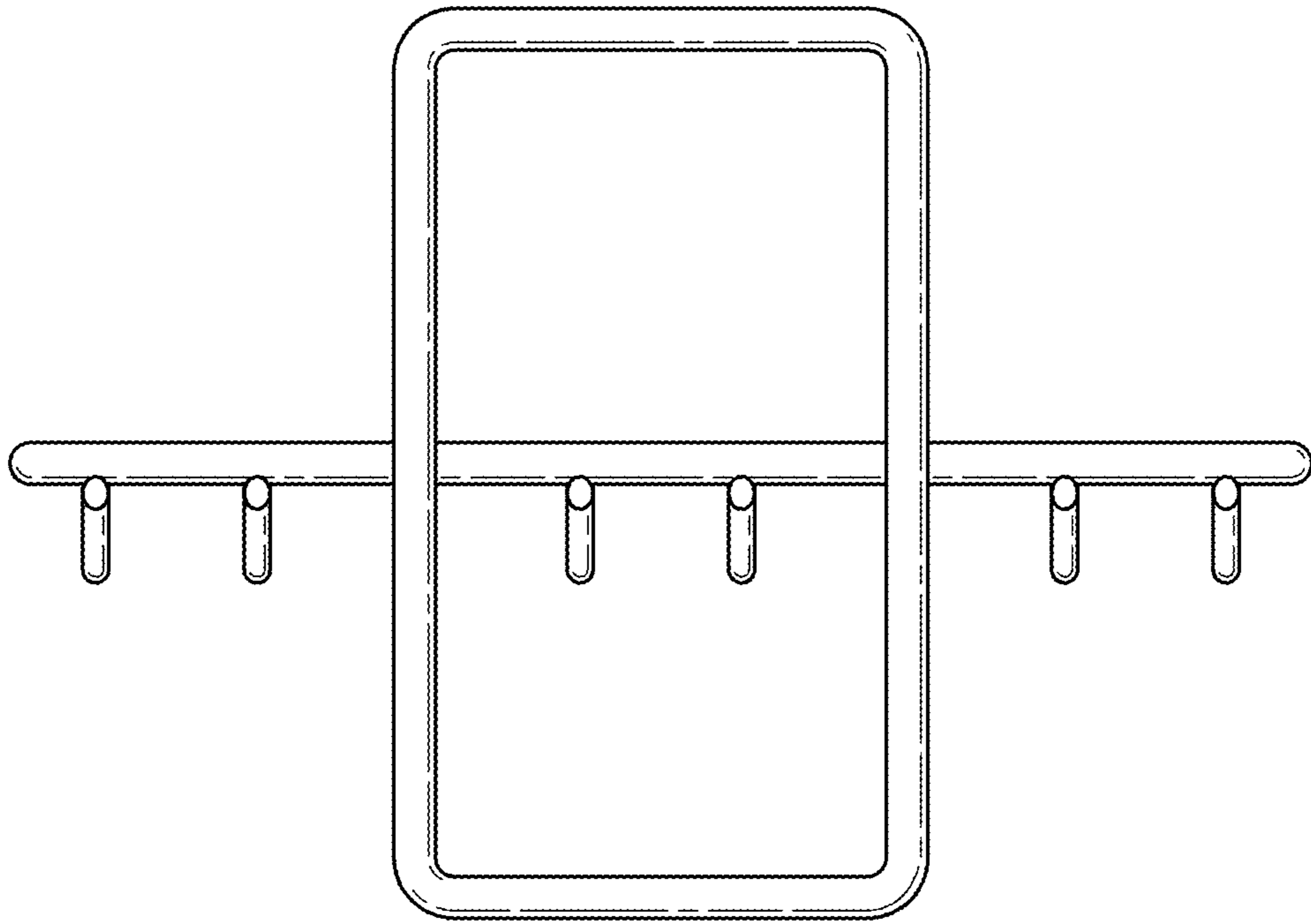
\* cited by examiner



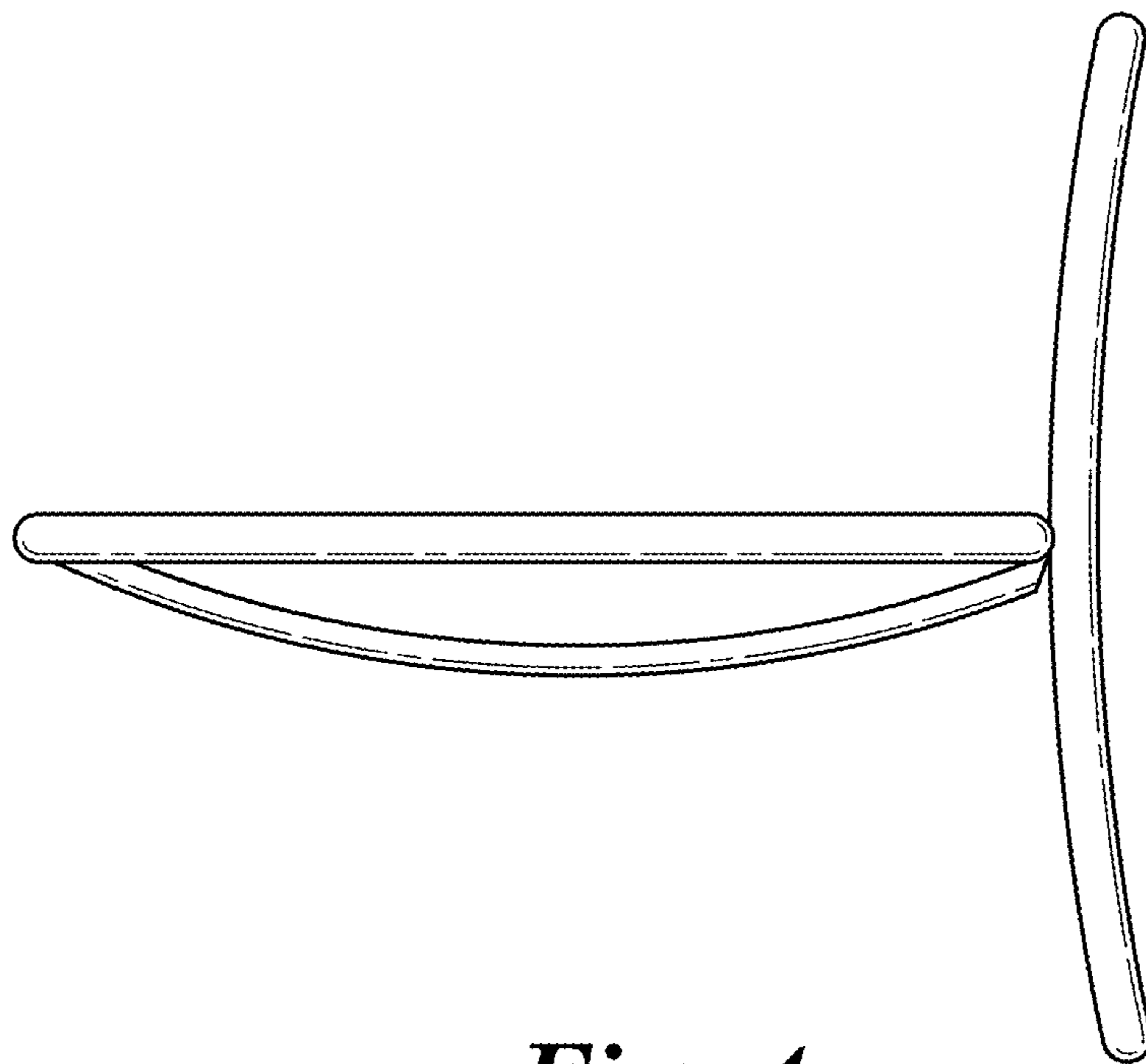
*Fig. 1*



*Fig. 2*

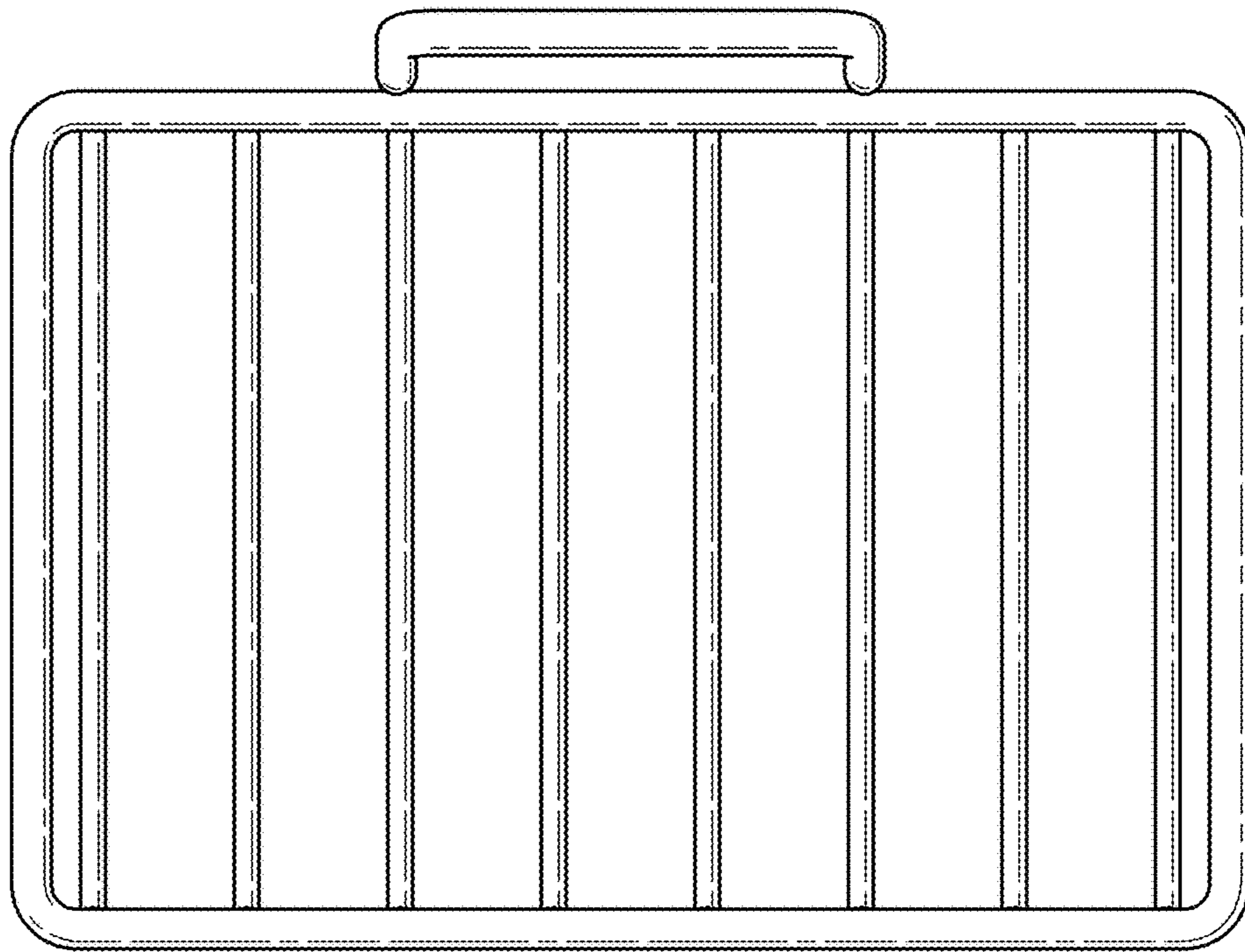


*Fig. 3*

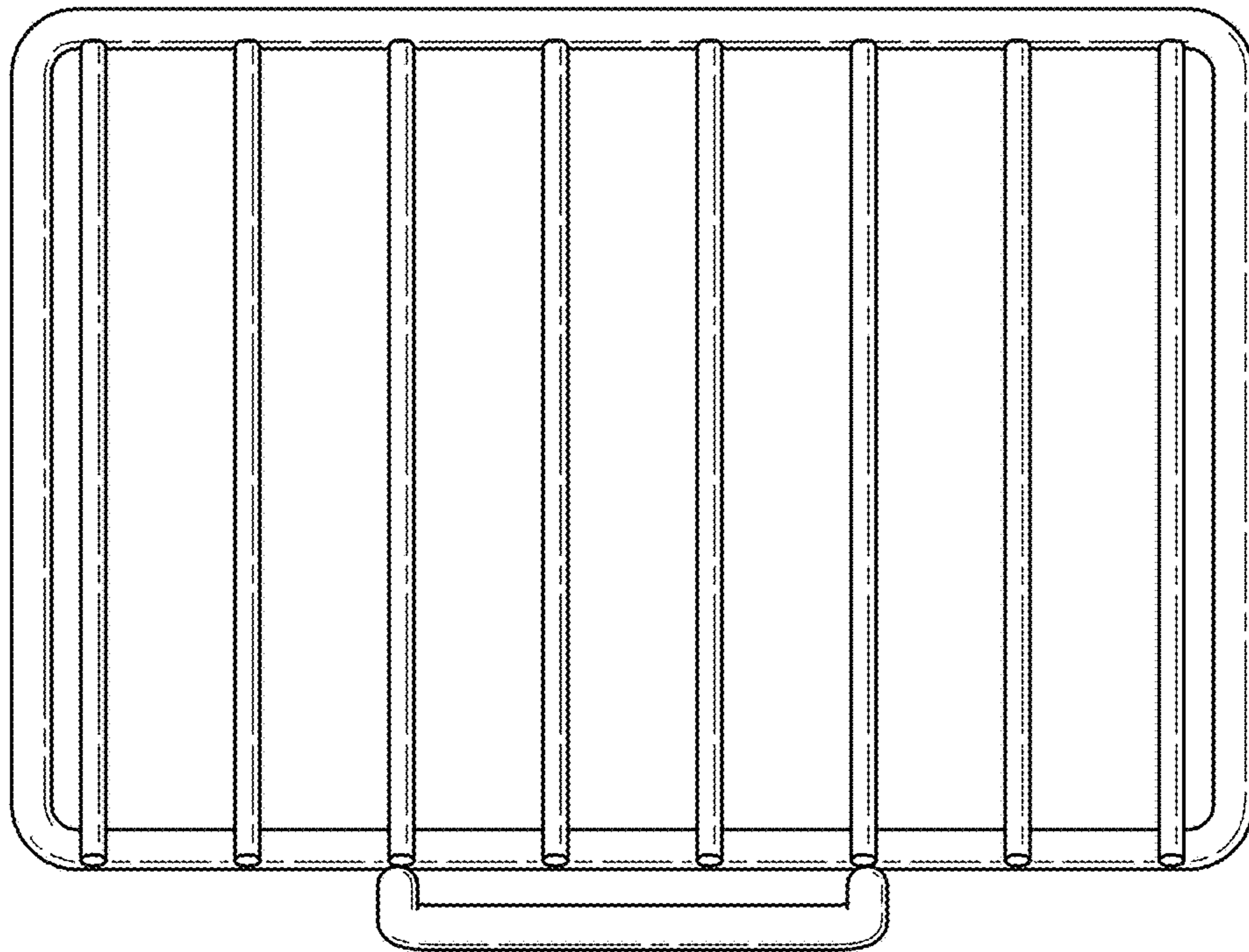


*Fig. 4*





*Fig. 5*



*Fig. 6*