



US00D779228S

(12) **United States Design Patent** (10) **Patent No.:** **US D779,228 S**
Hamilton, Jr. et al. (45) **Date of Patent:** **** Feb. 21, 2017**

(54) **TISSUE DISPENSER** 3,791,601 A * 2/1974 Broden A47K 10/3827
 206/409
 (71) Applicants: **Phillip Vernon Hamilton, Jr.,** 4,000,816 A * 1/1977 Spruyt B29C 45/0055
 Clearwater, FL (US); **Margaret Ann** 206/205
Hamilton, Clearwater, FL (US) 4,428,497 A * 1/1984 Julius A47K 10/421
 206/210
 (72) Inventors: **Phillip Vernon Hamilton, Jr.,** 4,690,272 A * 9/1987 Adams B65D 77/22
 Clearwater, FL (US); **Margaret Ann** 206/45.28
Hamilton, Clearwater, FL (US) D293,178 S * 12/1987 Hamami D6/559
 4,750,619 A * 6/1988 Cohen A61F 2/0095
 206/363
 (**) Term: **14 Years** 5,129,545 A * 7/1992 Parks B65D 83/0888
 221/102
 (21) Appl. No.: **29/521,655** D334,499 S * 4/1993 Meisner D3/302
 5,346,064 A * 9/1994 Rizzuto A47K 10/3818
 206/390
 (22) Filed: **Mar. 25, 2015** 5,467,894 A * 11/1995 Altonen A47F 5/112
 206/499
 D380,114 S * 6/1997 Albright D34/9
 (Continued)

Related U.S. Application Data

(63) Continuation-in-part of application No. 14/210,548,
 filed on Mar. 14, 2014, now abandoned.
 (51) **LOC (10) Cl.** **23-02**
 (52) **U.S. Cl.**
 USPC **D6/523**
 (58) **Field of Classification Search**
 USPC D6/518-524, 546-550; 211/13.1, 16,
 211/60.1, 86.01, 87.01, 88.01, 88.04, 100,
 211/105.1, 105.2, 123, 181.1, 182;
 108/28-29; 248/175, 176.1, 251, 302;
 16/110.1, 415; 242/570, 590, 595-598,
 242/597.7; D8/300, 303, 315-321;
 220/216
 CPC A47K 10/38; A47K 2010/3266; A47K
 2010/3253; A47K 10/421; B65D 83/0805
 See application file for complete search history.

References Cited

U.S. PATENT DOCUMENTS

2,293,187 A * 8/1942 Becker B65D 5/3621
 206/389
 2,945,251 A * 7/1960 Eichner B44D 3/125
 134/137
 3,613,973 A * 10/1971 Jaeschke A47K 10/00
 206/395

Primary Examiner — David Muller
Assistant Examiner — Nathan Johnston

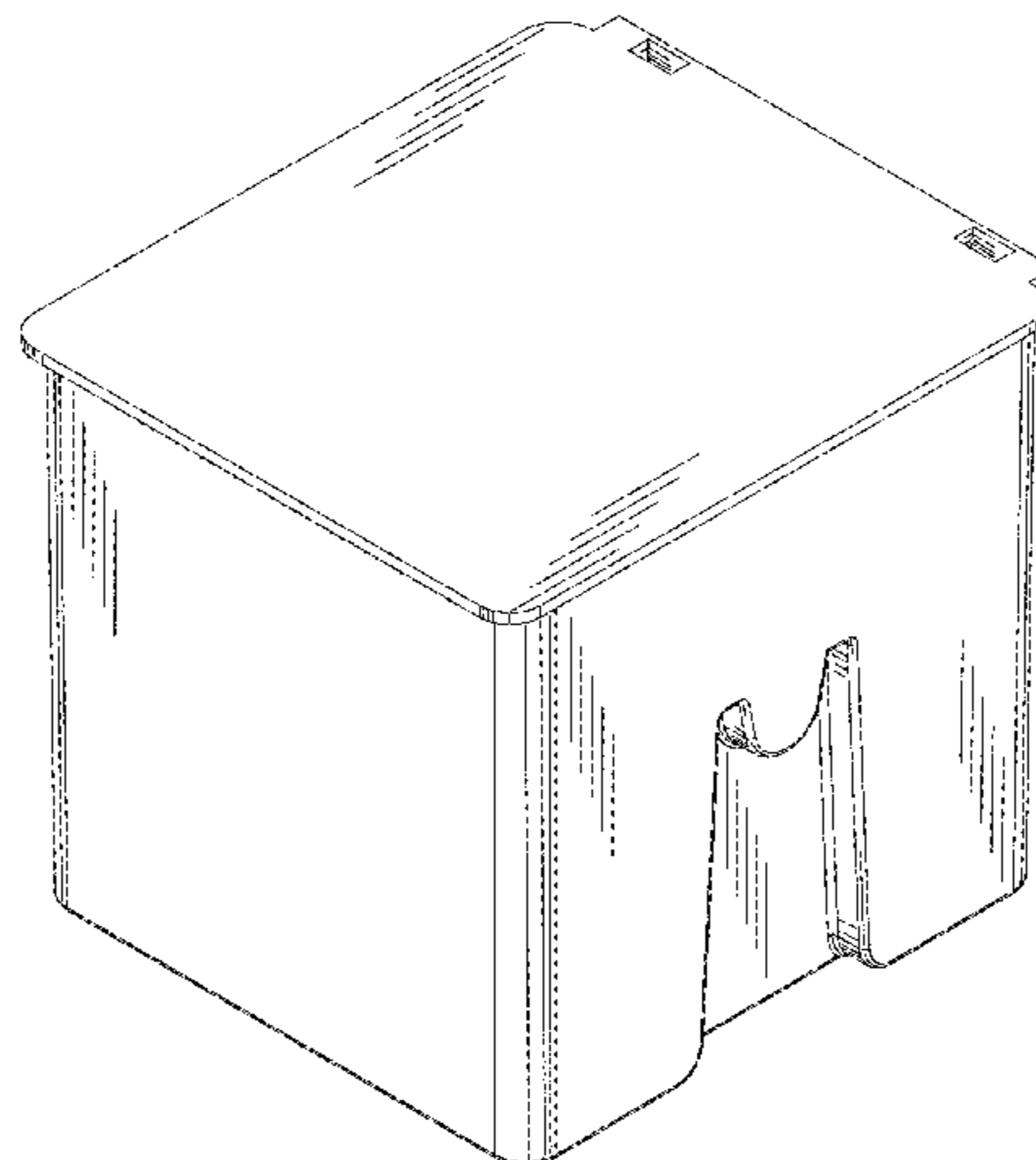
(57) **CLAIM**

The ornamental design for a tissue dispenser, as shown and described.

DESCRIPTION

FIG. 1 is a perspective view of tissue dispenser showing our new design;
 FIG. 2 is a front elevational view thereof;
 FIG. 3 is a rear elevational view thereof;
 FIG. 4 is a right side elevational view thereof;
 FIG. 5 is a left side elevational view thereof;
 FIG. 6 is a top plan view thereof;
 FIG. 7 is a bottom plan view thereof; and,
 FIG. 8 is a bottom perspective view thereof.
 The broken line showing a jagged feature in FIG. 1 and FIG. 2 and the recessed surface in FIG. 7 and FIG. 8 is included for the purpose of illustrating environmental structure and forms no part of the claimed design.

1 Claim, 8 Drawing Sheets



(56)

References Cited

U.S. PATENT DOCUMENTS

5,642,812 A * 7/1997 Hale B65D 5/5004
206/303
D396,370 S * 7/1998 Romero D6/523
6,267,321 B1 * 7/2001 Tramontina A47K 10/3818
206/409
7,204,450 B1 * 4/2007 Mallory B65H 55/043
206/390
D611,744 S * 3/2010 Mayer D6/518
D631,268 S * 1/2011 Yang D6/518
D634,954 S * 3/2011 Montoya D6/523
D635,805 S * 4/2011 Pleyber D6/518
D658,414 S * 5/2012 Renzelman D6/523
8,365,912 B2 * 2/2013 Carroscia B65D 85/04
206/389
2014/0263813 A1 * 9/2014 Hamilton, Jr. A47K 10/38
242/588.3
2014/0374443 A1 * 12/2014 Young B67D 1/0406
222/105

* cited by examiner

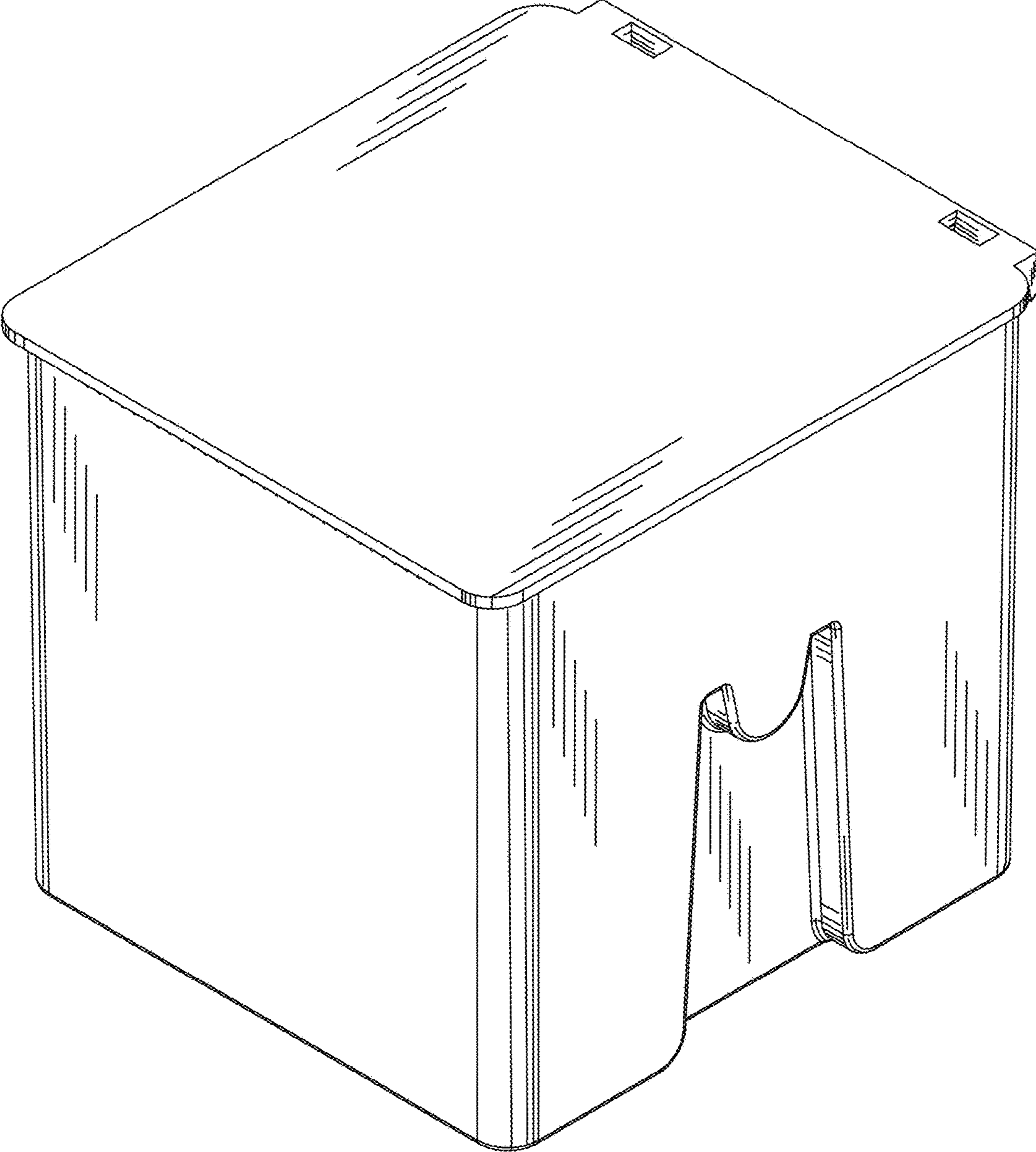


FIG. 1

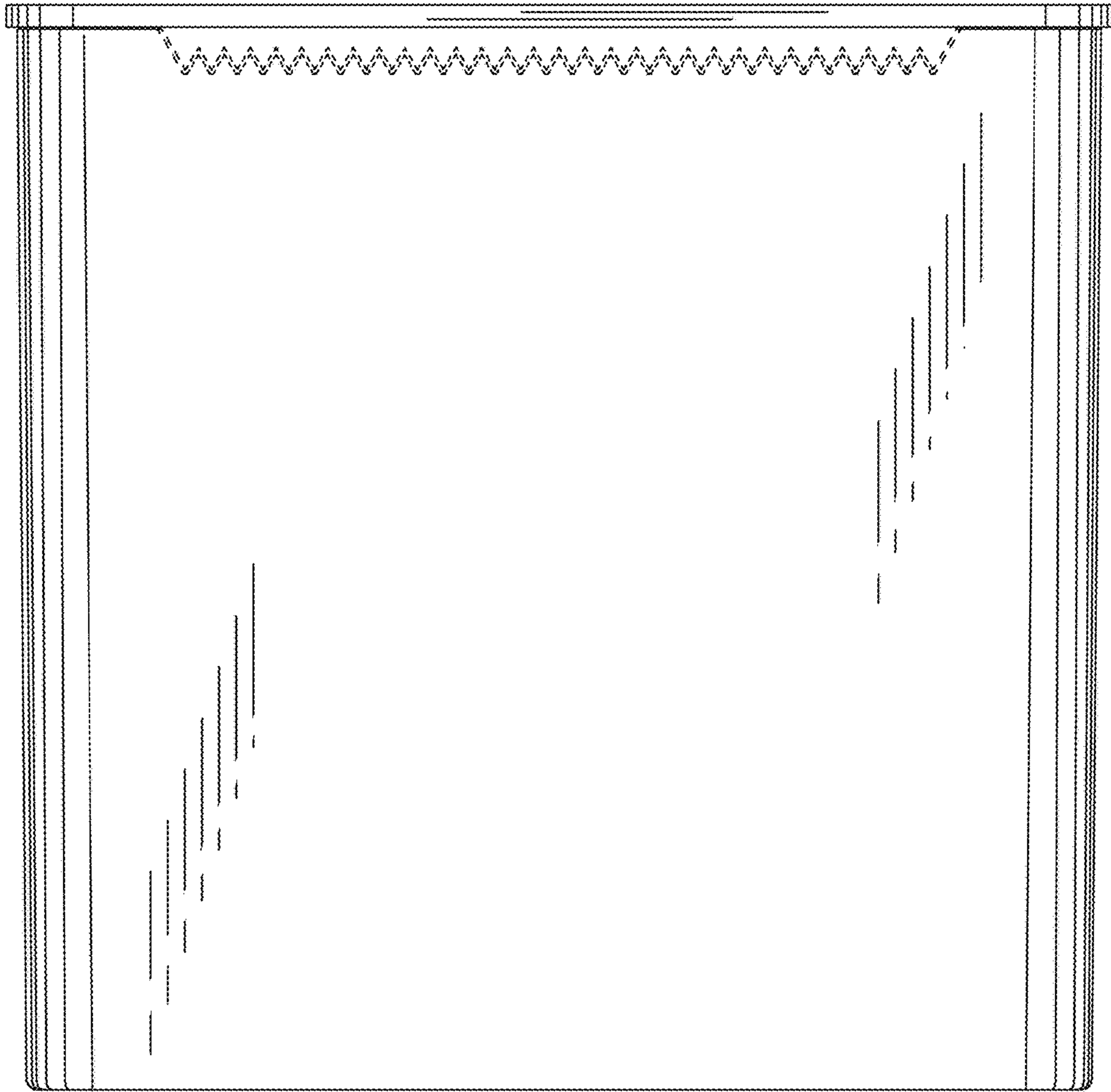


FIG. 2

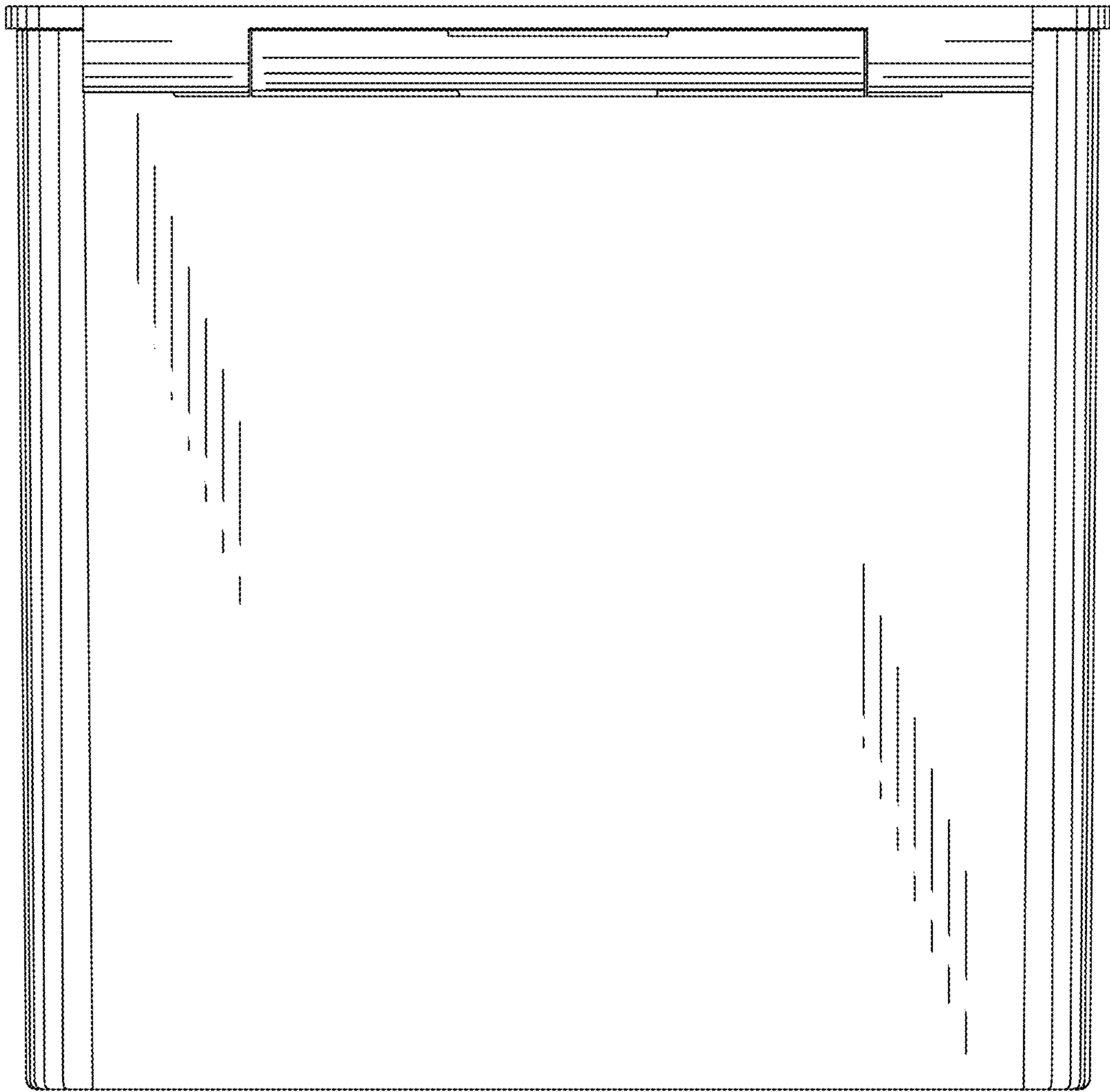


FIG. 3

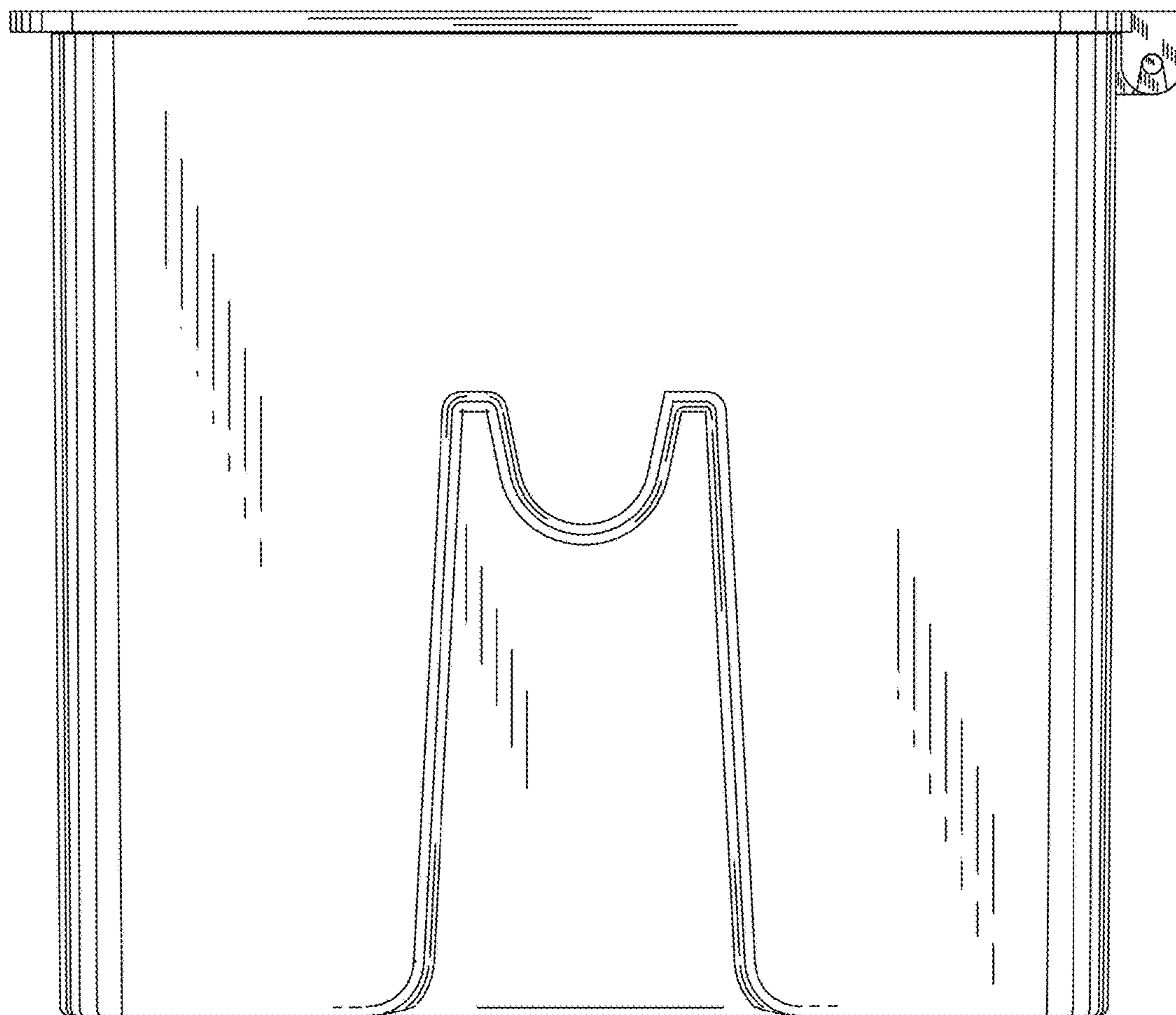


FIG. 4

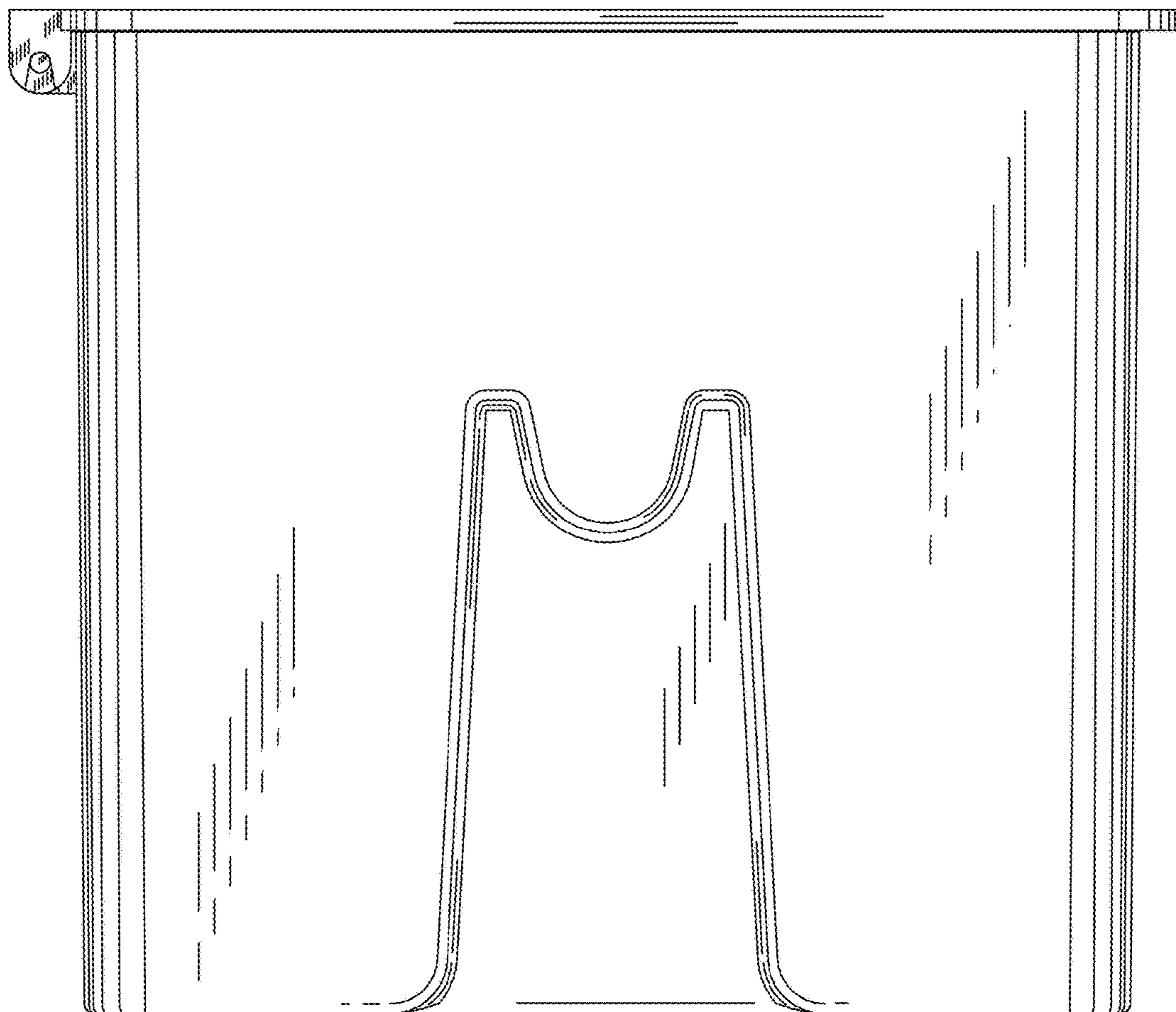


FIG. 5

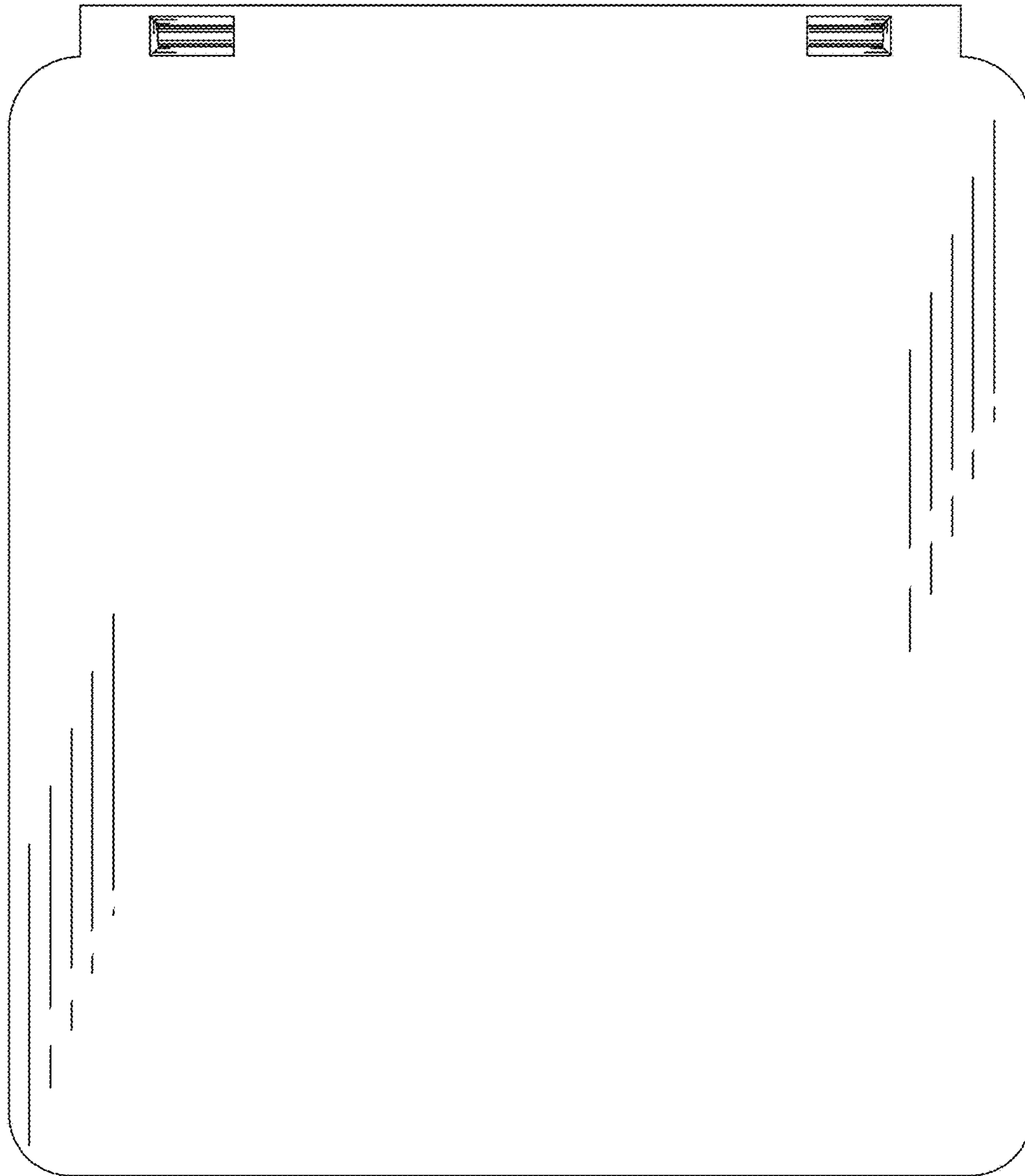


FIG. 6

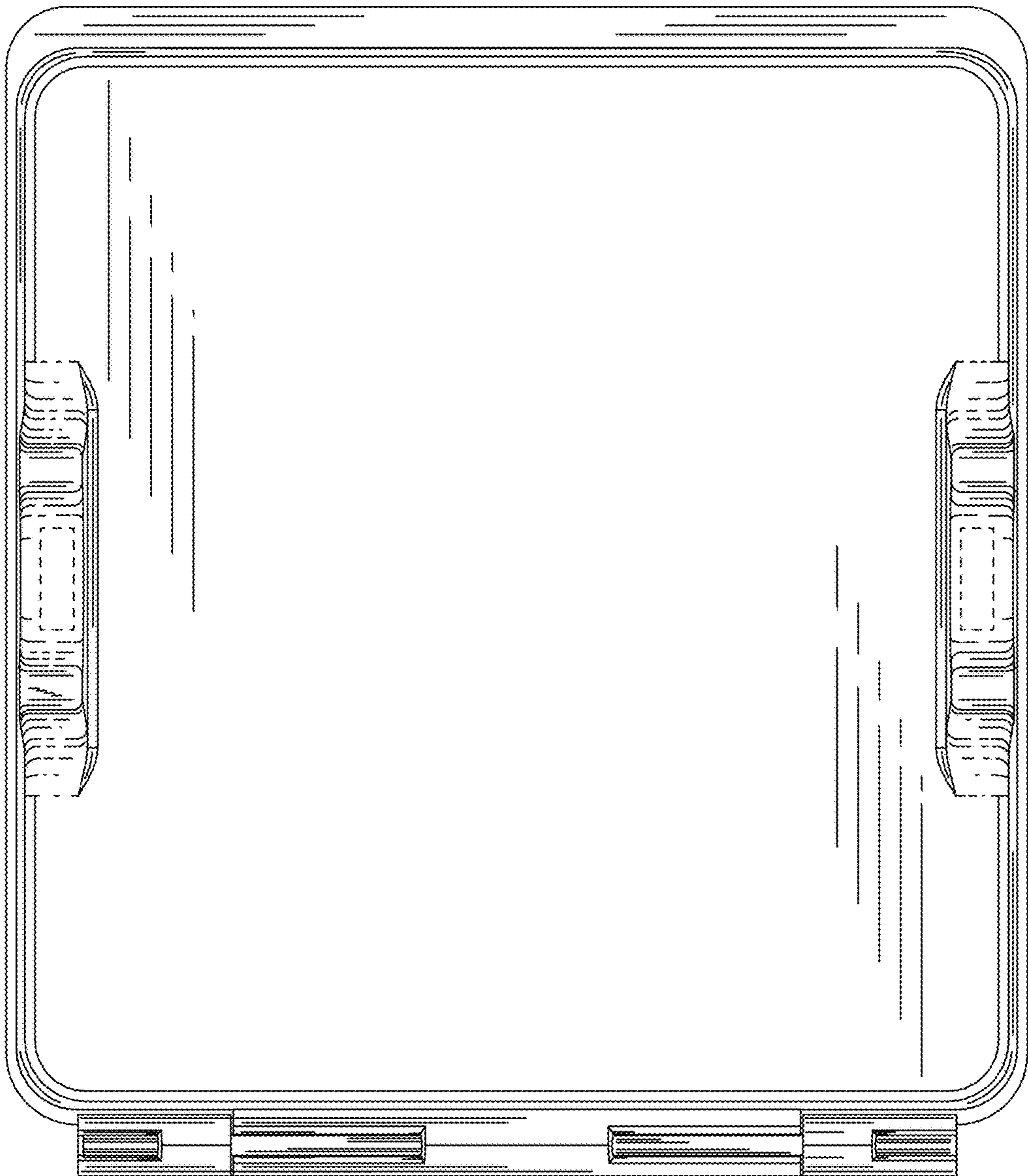


FIG. 7

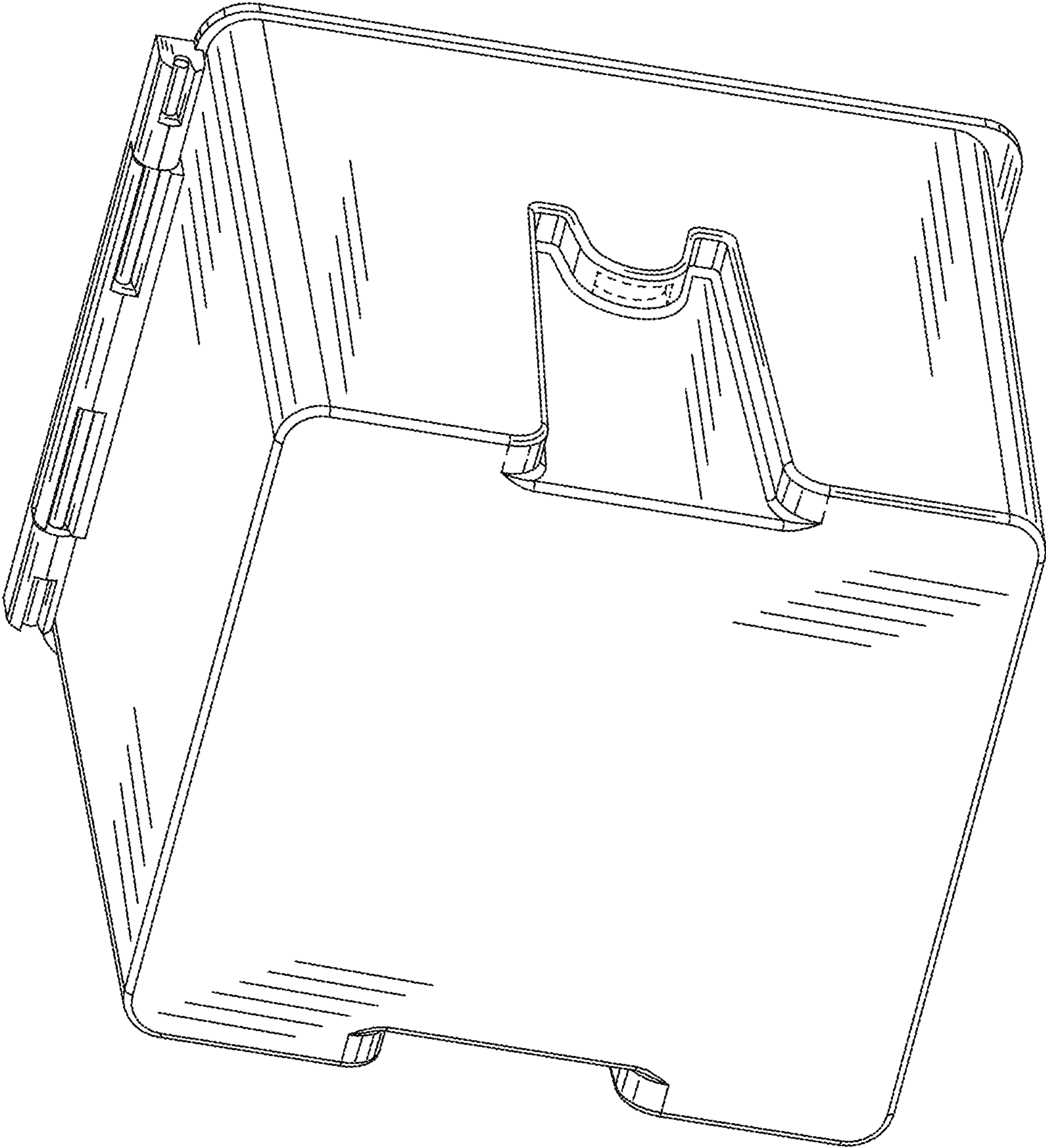


FIG. 8