



US00D779221S

(12) **United States Design Patent** (10) **Patent No.:** **US D779,221 S**
Maughan (45) **Date of Patent:** **** Feb. 21, 2017**

- (54) **STACKING CHAIR**
- (71) Applicant: **Mity-Lite, Inc.**, Orem, UT (US)
- (72) Inventor: **Sterling Maughan**, Orem, UT (US)
- (73) Assignee: **Mity-Lite, Inc.**, Orem, UT (US)
- (**) Term: **15 Years**

- 3,291,523 A 12/1966 Kreuger
- 3,291,529 A 12/1966 Straits
- 3,402,963 A 9/1968 Fujioka et al.
- 3,610,686 A 10/1971 Caruso
- 3,639,001 A 2/1972 Anderson
- 3,669,496 A 6/1972 Chisholm
- 3,669,497 A 6/1972 Massonnet

(Continued)

FOREIGN PATENT DOCUMENTS

CA 8503 A 8/1878

OTHER PUBLICATIONS

Gasser Chair Company Inc, "Product Summary Catalog", Gasser Chair Company, Inc., 1999, 10 pages, Youngstown, OH.

(Continued)

Primary Examiner — Mimoso De
(74) *Attorney, Agent, or Firm* — Thorpe, North & Western, LLP

(57) **CLAIM**

The ornamental design for the stacking chair, as shown and described herein.

DESCRIPTION

FIG. 1 is an elevated, perspective view of the stacking chair in accordance with my invention;
FIG. 2 is a front elevation view thereof;
FIG. 3 is a rear elevation view thereof;
FIG. 4 is a side elevation view thereof, an opposing side elevation view being the mirror image thereof;
FIG. 5 is a top plan view thereof; and,
FIG. 6 is a bottom plan view thereof.
The broken lines shown in FIG. 6 are for illustrative purposes only and form no part of the claimed design.

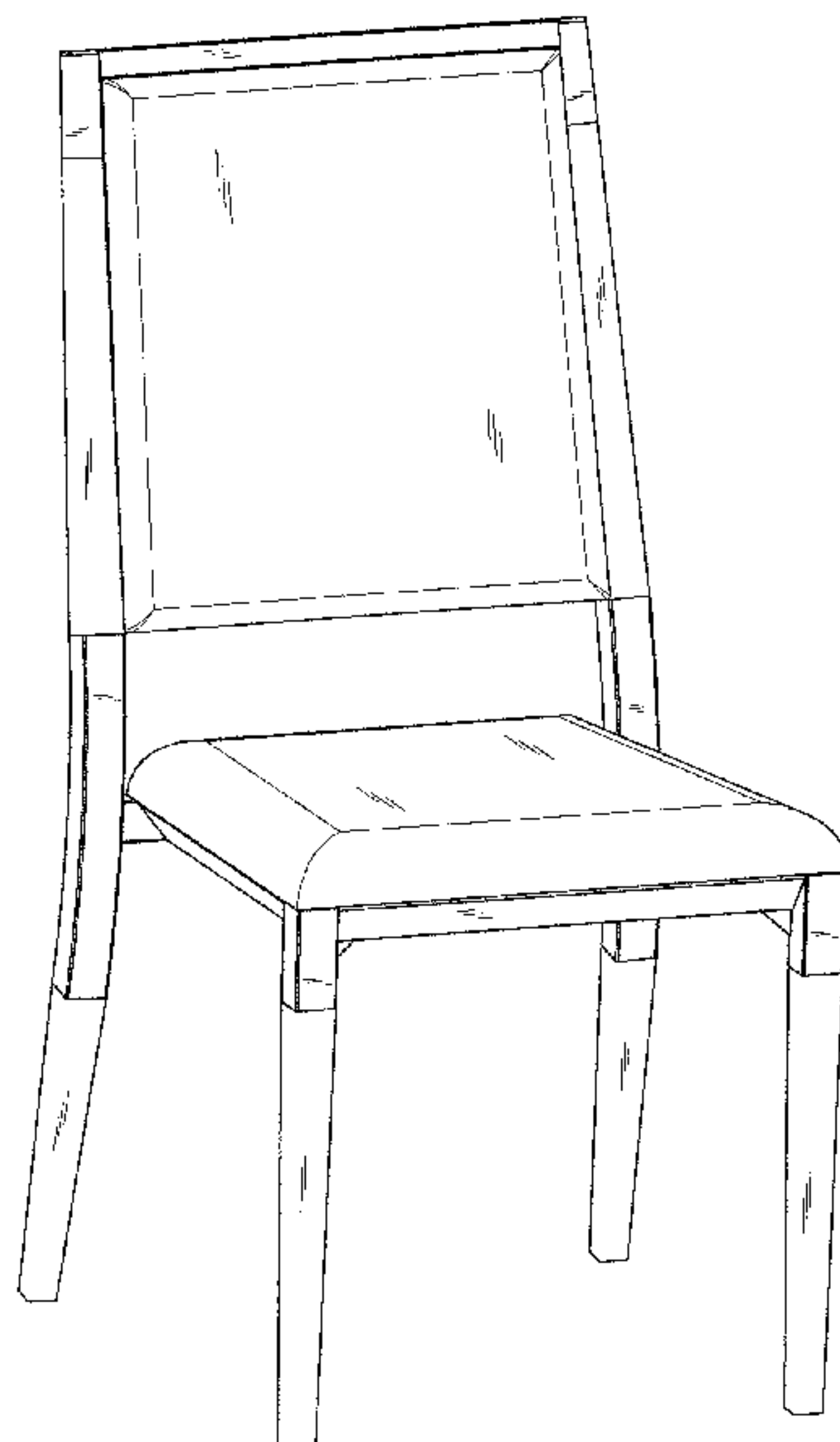
1 Claim, 4 Drawing Sheets

- (21) Appl. No.: **29/544,429**
- (22) Filed: **Nov. 3, 2015**
- (51) **LOC (10) Cl.** **06-01**
- (52) **U.S. Cl.**
USPC **D6/379**
- (58) **Field of Classification Search**
USPC D6/334-336, 370, 371, 372, 373, 374,
D6/379, 380, 716, 716.1, 716.2, 716.3,
D6/716.4
CPC A47C 3/04; A47C 4/02; A47C 4/03; A47C
4/028; A47C 7/16; A47C 7/22
See application file for complete search history.

(56) **References Cited**

U.S. PATENT DOCUMENTS

- 2,098,888 A 11/1937 Schadler
- 2,126,439 A 8/1938 Zerbee
- 2,127,710 A 8/1938 Baker
- 2,699,814 A 1/1955 Kahm
- 2,706,517 A 4/1955 Dexter et al.
- 2,874,755 A 2/1959 Smith
- 3,031,227 A 4/1962 Van Buren, Jr.
- 3,087,755 A 4/1963 Boman
- 3,111,344 A 11/1963 Hoven et al.
- 3,123,399 A 3/1964 Wilson
- 3,133,762 A 5/1964 Newman
- 3,159,425 A 12/1964 Engstrom
- 3,207,551 A 9/1965 Axtell
- 3,246,928 A 4/1966 Haynes et al.
- 3,278,227 A 10/1966 Rowland



(56)

References Cited

U.S. PATENT DOCUMENTS

3,708,202 A 1/1973 Barecki et al.
 3,774,967 A 11/1973 Rowland
 3,847,433 A 11/1974 Acton et al.
 3,899,207 A 8/1975 Mueller
 4,057,288 A 11/1977 Schwartz et al.
 4,400,031 A 8/1983 DeDecker
 4,456,296 A 6/1984 Rowland
 4,549,764 A 10/1985 Haedo
 4,580,836 A 4/1986 Verney
 4,603,904 A 8/1986 Tolleson et al.
 4,639,042 A 1/1987 Lange
 4,648,653 A 3/1987 Rowland
 4,655,504 A 4/1987 Weber
 4,790,595 A 12/1988 Hensel et al.
 4,852,944 A 8/1989 Hartmann
 4,869,552 A 9/1989 Tolleson et al.
 4,962,964 A 10/1990 Snodgrass
 4,978,168 A 12/1990 Piretti
 5,002,337 A 3/1991 Engel et al.
 5,039,163 A 8/1991 Tolleson
 5,064,247 A 11/1991 Clark et al.
 5,071,191 A 12/1991 Leib
 5,110,186 A 5/1992 Clark et al.
 5,123,702 A 6/1992 Caruso
 5,248,186 A 9/1993 Steinfeld et al.
 5,282,669 A 2/1994 Barile
 D345,477 S 3/1994 Infanti
 D345,478 S 3/1994 Infanti
 D345,479 S 3/1994 Infanti
 5,383,712 A 1/1995 Perry
 5,860,697 A 1/1999 Fewchuk
 5,863,096 A 1/1999 Bartlmae
 D409,848 S * 5/1999 Staubach D6/374
 5,902,012 A 5/1999 Han
 D411,397 S 6/1999 Arango
 5,961,184 A 10/1999 Balderi et al.
 5,997,084 A 12/1999 Barile et al.
 D418,322 S 1/2000 Hock
 6,050,646 A 4/2000 Stenzel et al.
 D425,717 S 5/2000 Tseng
 6,106,061 A 8/2000 Caruso et al.
 D431,400 S 10/2000 Grove
 D432,805 S 10/2000 Smith
 D435,977 S 1/2001 Ambasz
 D436,457 S 1/2001 Ambasz
 6,206,469 B1 3/2001 Caruso et al.
 D440,784 S 4/2001 Ambasz
 D446,661 S 8/2001 Ambasz
 D452,619 S 1/2002 Piretti
 D460,282 S * 7/2002 Starck D6/379
 D460,300 S 7/2002 Fifield et al.
 6,471,293 B2 10/2002 Ware et al.
 D465,938 S 11/2002 Huang
 D465,940 S 11/2002 Nien
 D469,971 S 2/2003 Piretti
 6,533,352 B1 3/2003 Glass et al.
 D473,727 S 4/2003 Tsai
 D476,162 S 6/2003 Finazzi

D477,470 S 7/2003 Haney et al.
 D481,879 S 11/2003 Su
 D494,792 S 8/2004 Schmitz et al.
 6,779,846 B2 8/2004 Spendlove et al.
 D495,509 S 9/2004 Breen
 D495,891 S 9/2004 Ambasz
 D496,547 S 9/2004 Gasser
 D497,729 S 11/2004 Peitz et al.
 D503,288 S * 3/2005 Domack D6/374
 D503,291 S 3/2005 Lucci et al.
 6,886,890 B2 5/2005 Rowland et al.
 6,899,396 B2 5/2005 Bales
 D505,800 S 6/2005 Lucci et al.
 D506,325 S 6/2005 Farber et al.
 D506,338 S 6/2005 Gasser
 D513,456 S 1/2006 Smith
 D515,340 S 2/2006 Gasser
 D517,357 S 3/2006 Gasser
 D521,264 S 5/2006 Ware et al.
 D526,823 S * 8/2006 Muller D6/374
 7,156,459 B2 1/2007 Ambasz
 D536,548 S 2/2007 Peitz et al.
 D539,557 S 4/2007 Doughty
 D541,069 S 4/2007 Peitz et al.
 D544,225 S 6/2007 Cantarutti
 D544,235 S 6/2007 Chen
 D558,999 S 1/2008 Cantarutti
 D578,790 S * 10/2008 Ciani D6/380
 D581,708 S 12/2008 Su
 D599,127 S 9/2009 Smith
 D607,655 S 1/2010 Kubryk
 D607,657 S 1/2010 Kubryk
 7,717,511 B2 5/2010 Huang
 D624,327 S 9/2010 Swy
 7,998,551 B2 8/2011 Gasser
 D649,375 S * 11/2011 Lin D6/370
 8,162,396 B2 * 4/2012 Edwards A47C 4/02
 297/188.08
 2002/0053822 A1 5/2002 Ware et al.
 2005/0264087 A1 12/2005 Diffrient
 2007/0222266 A1 9/2007 Lucci et al.
 2008/0166515 A1 7/2008 Gasser
 2008/0315645 A1 12/2008 Hock
 2008/0315646 A1 12/2008 Hock

OTHER PUBLICATIONS

Mity-Lite, "2010 Product Catalog", Mity-Lite Inc, 2010, 36 pages.
 Mity-Lite, "Comfort Seating, Banquet Chairs, Classic Series", Mity-Lite Inc, 2011, 2 pages, Orem, UT.
 Mity-Lite, "Comfort Seating, Banquet Chairs, Essential Series", Mity-Lite Inc, 2011, 2 pages, Orem, UT.
 Mity-Lite, "Comfort Seating, Banquet Chairs, Prestige Series", Mity-Lite Inc, 2011, 2 pages, Orem, UT.
 MTS, "Banquet/Stacking Look Book", MTS Seating, Apr. 2010, 8 pages, Temperance, MI.
 Shelby Williams, "Aluminum Action Back Series", <http://www.shelbywilliams.com/images/BQT-14A.JPG>, as accessed on Mar. 1, 2002, 17 pages.

* cited by examiner

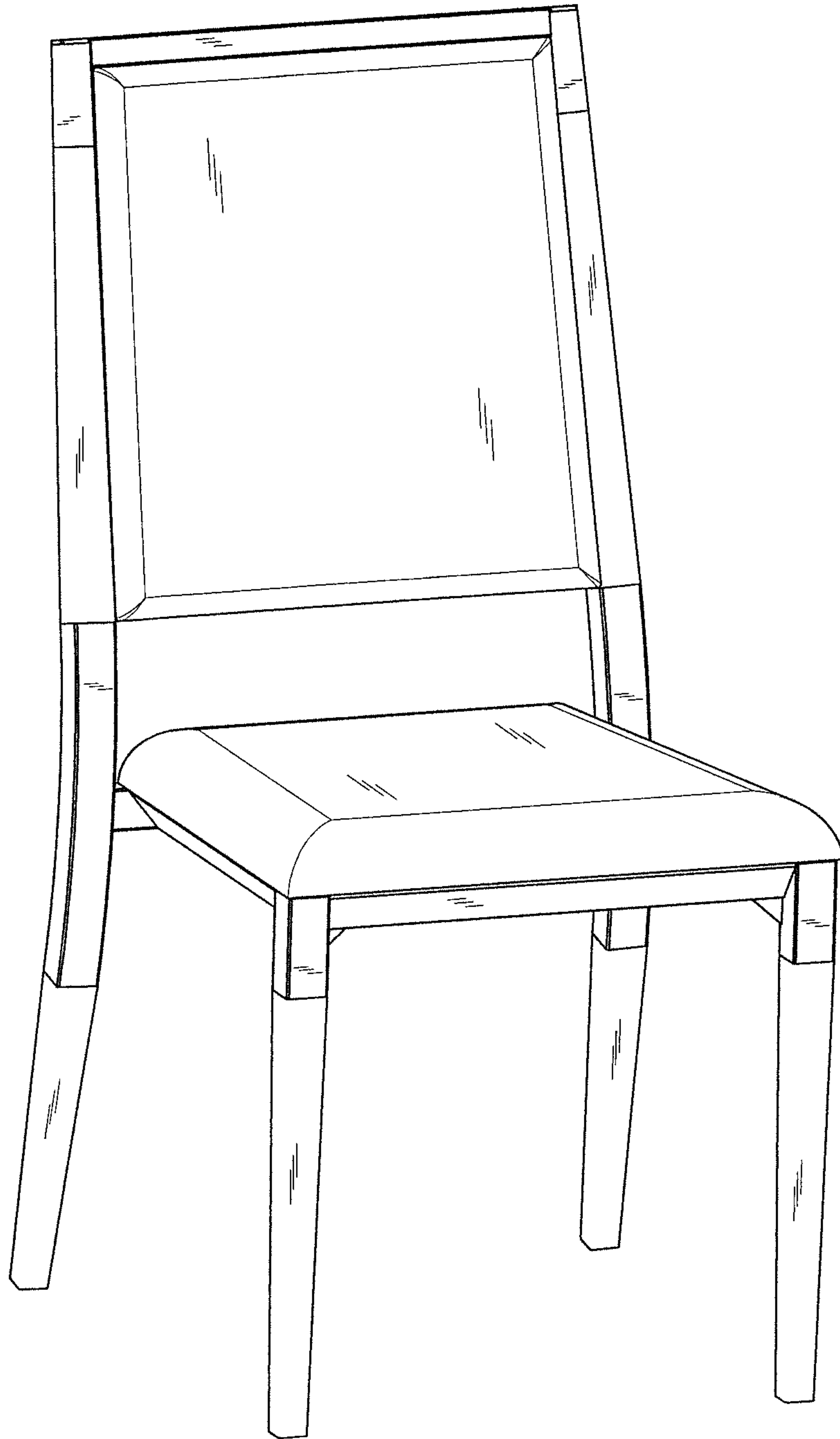


Fig. 1

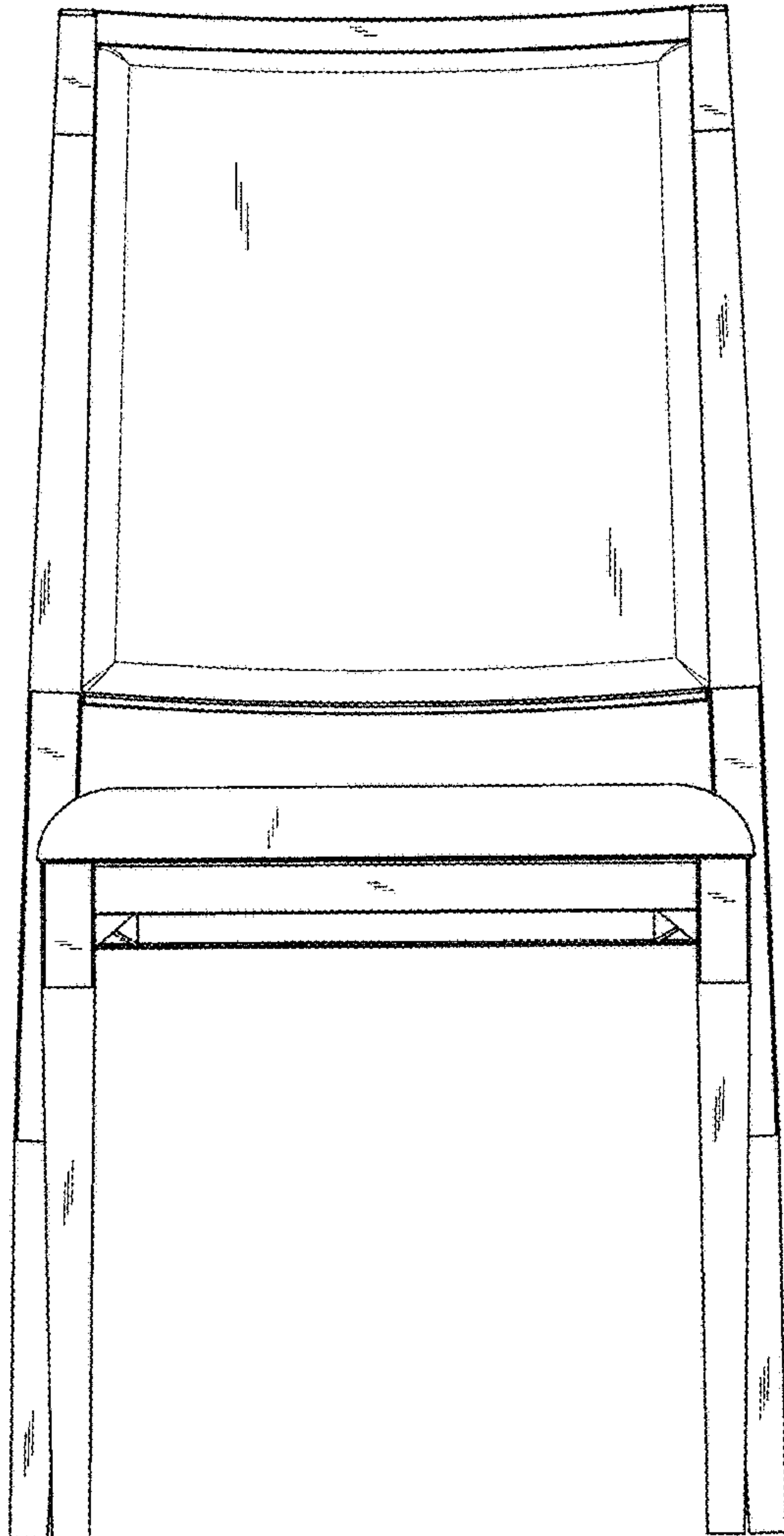


Fig. 2

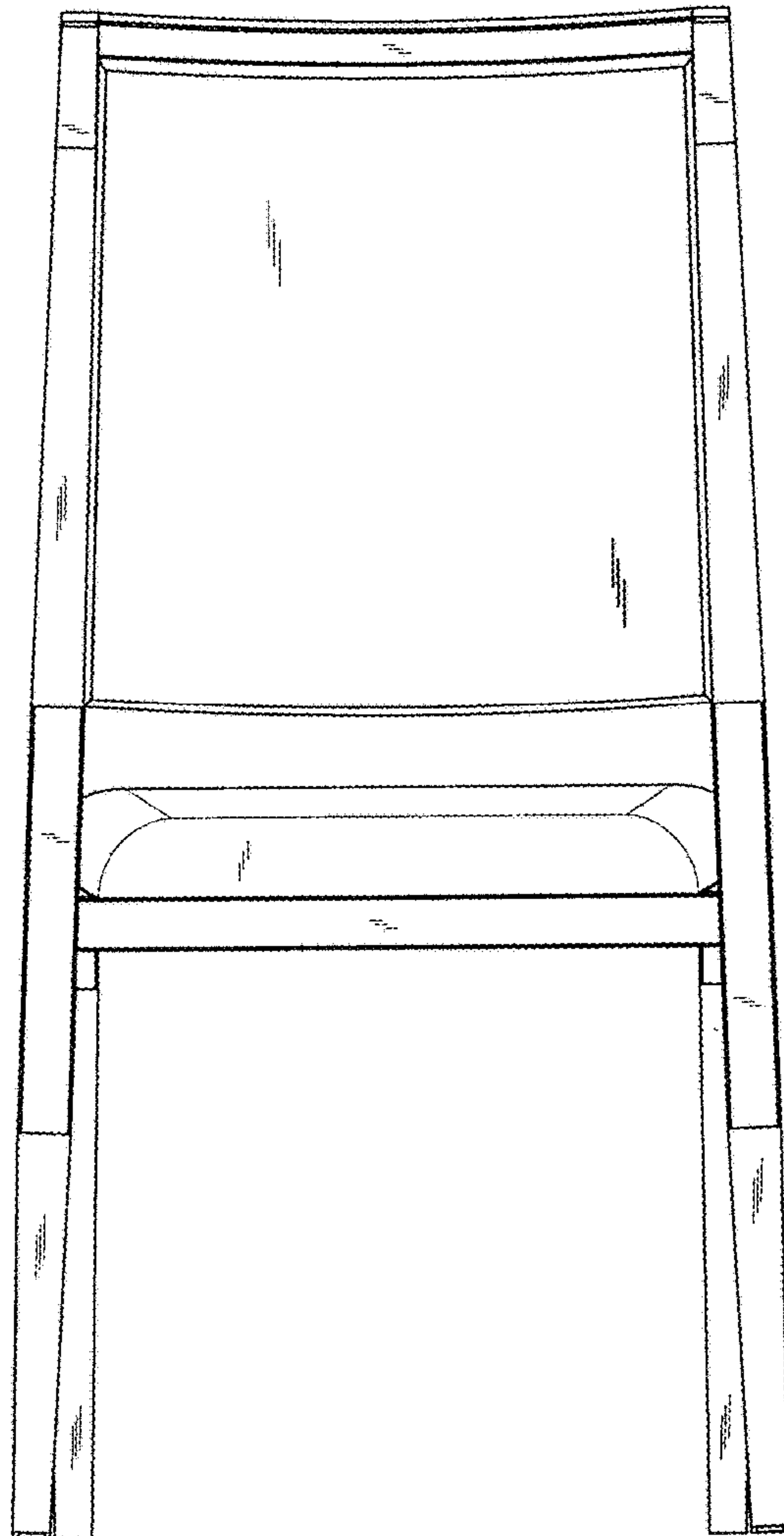


Fig. 3

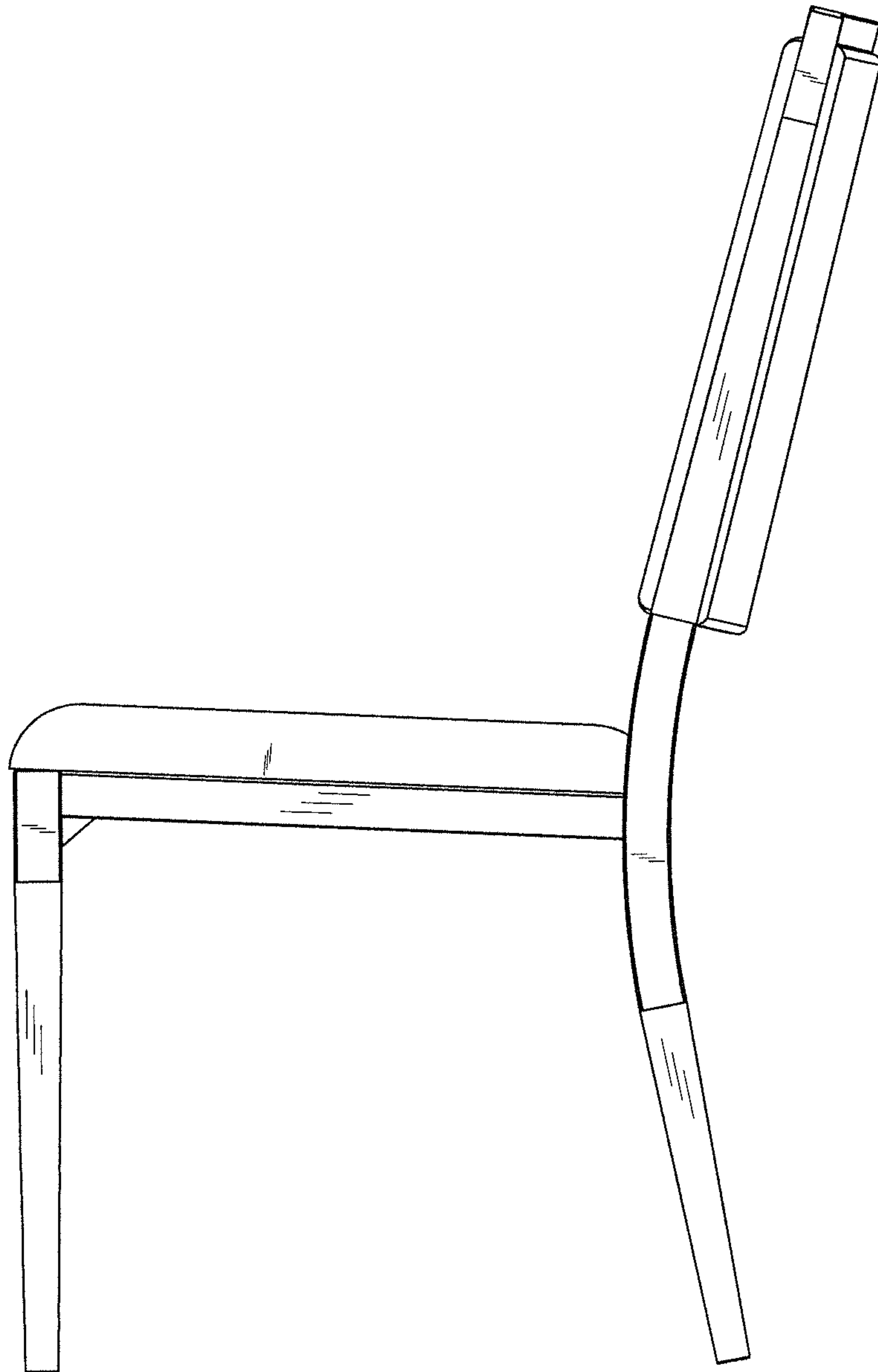


Fig. 4

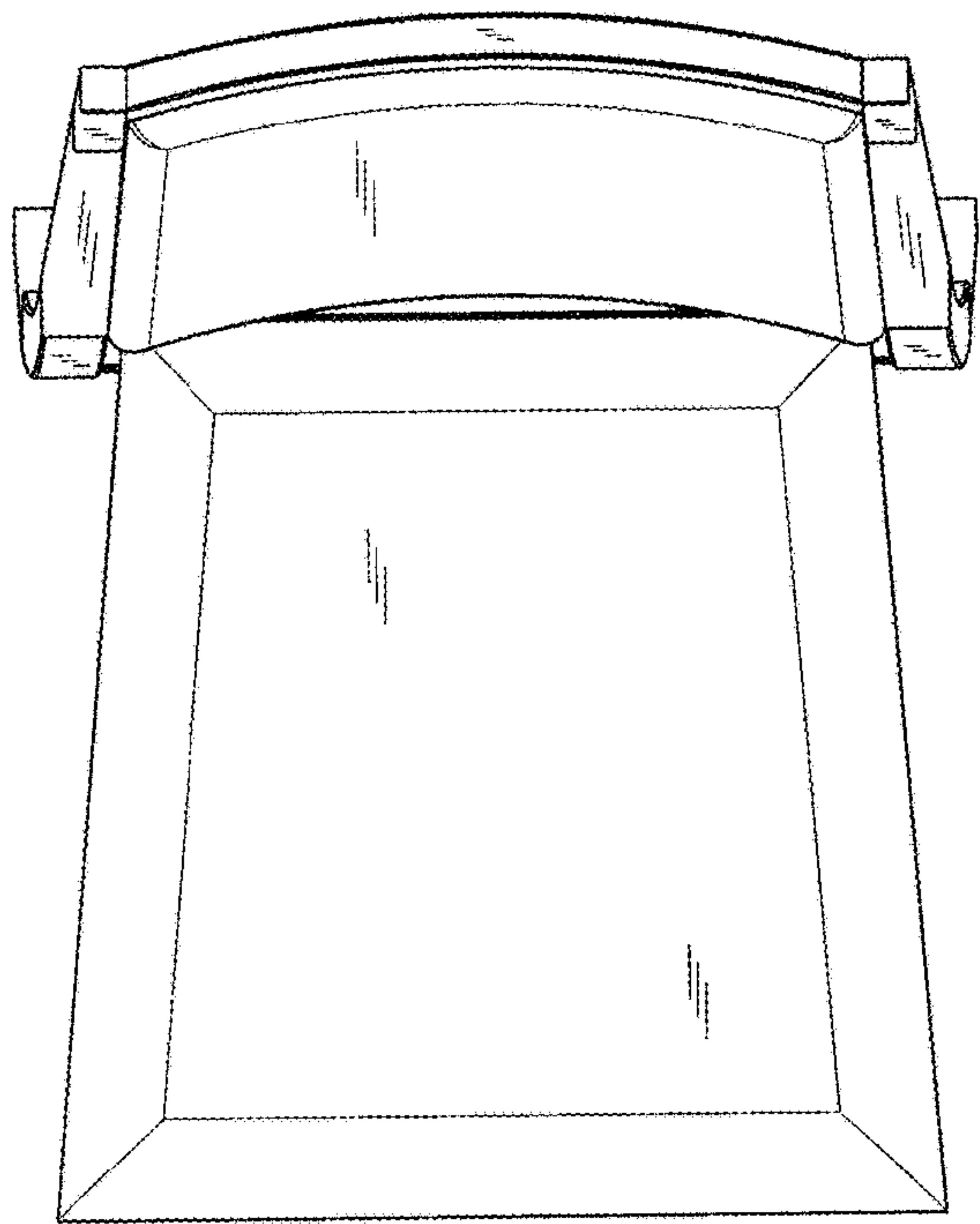


Fig. 5

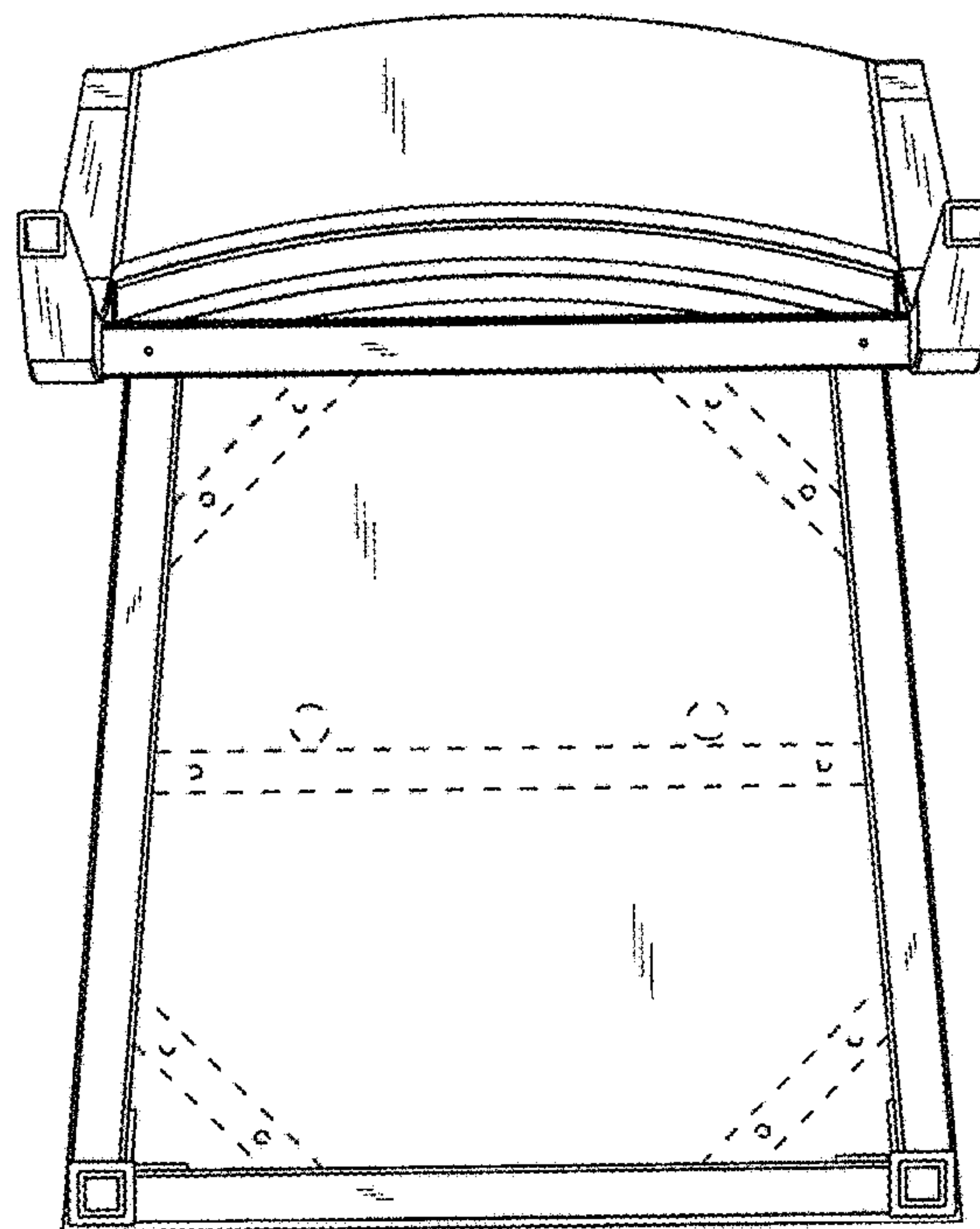


Fig. 6