



US00D779220S

(12) **United States Design Patent**  
**Martinez**

(10) **Patent No.:** **US D779,220 S**

(45) **Date of Patent:** **\*\* Feb. 21, 2017**

(54) **CHAIR**

(71) Applicant: **Resinas Olot, S.L.**, Les Preses (ES)

(72) Inventor: **Josep Llusca Martinez**, Barcelona (ES)

(73) Assignee: **Resinas Olot, S.L.**, Les Preses (ES)

(\*\*) Term: **14 Years**

(21) Appl. No.: **29/514,652**

(22) Filed: **Jan. 14, 2015**

(51) **LOC (10) Cl.** ..... **06-01**

(52) **U.S. Cl.**  
USPC ..... **D6/375**

(58) **Field of Classification Search**  
USPC ..... D6/334-336, 360, 366, 371, 372, 373,  
D6/374, 375, 376, 379, 380, 716, 716.1,  
D6/716.2, 716.4  
CPC ..... A47C 4/02; A47C 4/03; A47C 3/12;  
A47C 5/12; A47C 4/024; A47C  
4/028; A47C 9/007; A47C 7/54  
See application file for complete search history.

(56) **References Cited**

**U.S. PATENT DOCUMENTS**

D181,241 S	10/1957	Swanson	
D183,009 S	6/1958	Mackintosh	
D200,638 S	3/1965	Midyette, Jr.	
3,284,136 A *	11/1966	Harrison	A47C 5/12 297/445.1
D213,438 S	3/1969	Koch	
D270,406 S	9/1983	Schultz	
4,548,441 A	10/1985	Ogg	
4,648,653 A	3/1987	Towland	
D390,024 S	2/1998	DeJule	
D430,415 S	9/2000	Schultz	

D433,578 S	11/2000	Saul	
D519,294 S *	4/2006	Frenkler	D6/374
D566,412 S *	4/2008	Van Severen	D6/375
D592,876 S *	5/2009	Smith	D6/374
D593,761 S *	6/2009	Kaloustian	D6/374
D648,562 S *	11/2011	Lievore	D6/375
D656,754 S *	4/2012	Starck	D6/375
D663,132 S *	7/2012	Morrison	D6/375
D665,593 S *	8/2012	Morrison	D6/375
D715,569 S *	10/2014	Laub	D6/375
D715,570 S *	10/2014	Laub	D6/375

(Continued)

*Primary Examiner* — Mimosa De

(74) *Attorney, Agent, or Firm* — Lathrop & Gage L.L.P.

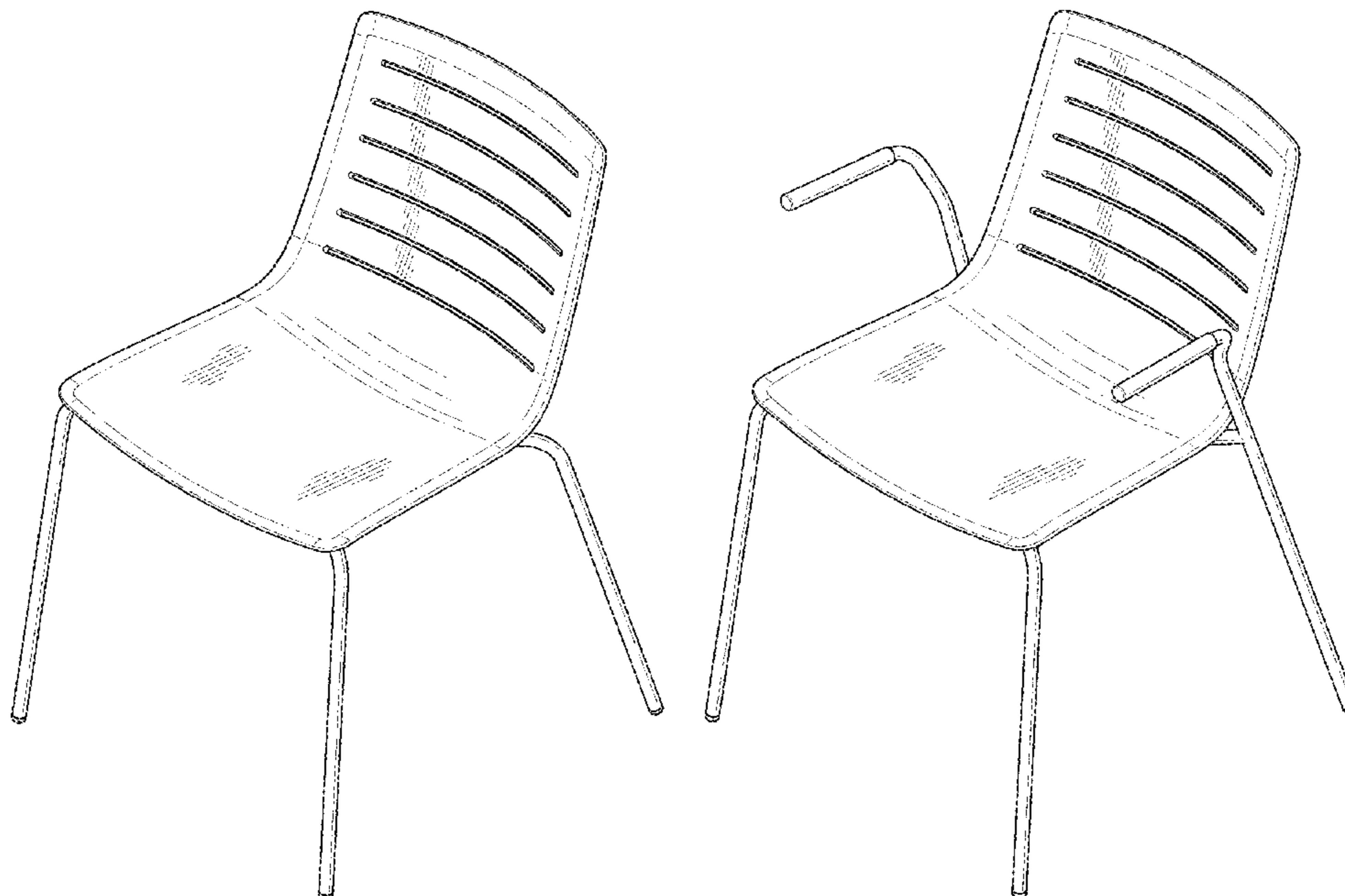
(57) **CLAIM**

The ornamental design for a chair, as shown and described.

**DESCRIPTION**

FIG. 1 is a perspective view of the chair of the invention. FIG. 2 is a front view of the chair of FIG. 1. FIG. 3 is a rear view of the chair of FIG. 1. FIG. 4 is right side view of the chair of FIG. 1. FIG. 5 is a left side view of the chair of FIG. 1. FIG. 6 is a top view of the chair of FIG. 1. FIG. 7 is a bottom view of the chair of FIG. 1. FIG. 8 is perspective view of an alternative embodiment of the chair of FIG. 1. FIG. 9 is a front view of the chair of FIG. 8. FIG. 10 is a rear view of the chair of FIG. 8. FIG. 11 is right side view of the chair of FIG. 8. FIG. 12 is a left side view of the chair of FIG. 8. FIG. 13 is a top view of the chair of FIG. 8; and, FIG. 14 is a bottom view of the chair of FIG. 8. The broken lines in the figures are for illustrative purposes only and are not claimed as part of the design.

**1 Claim, 8 Drawing Sheets**



(56)

**References Cited**

U.S. PATENT DOCUMENTS

D715,571 S \* 10/2014 Laub ..... D6/375  
D753,945 S \* 4/2016 Johnson ..... D6/375

\* cited by examiner

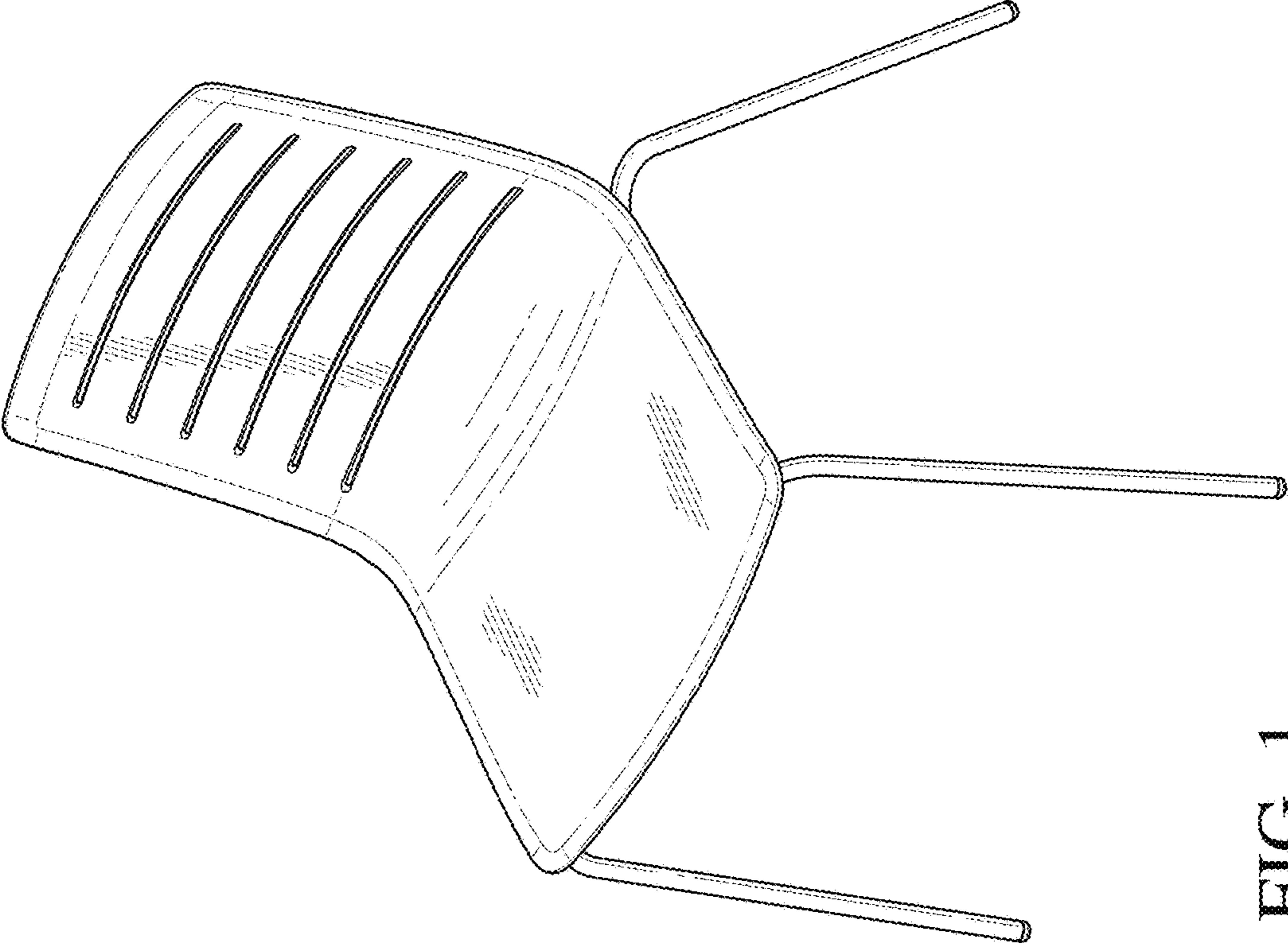


FIG. 1

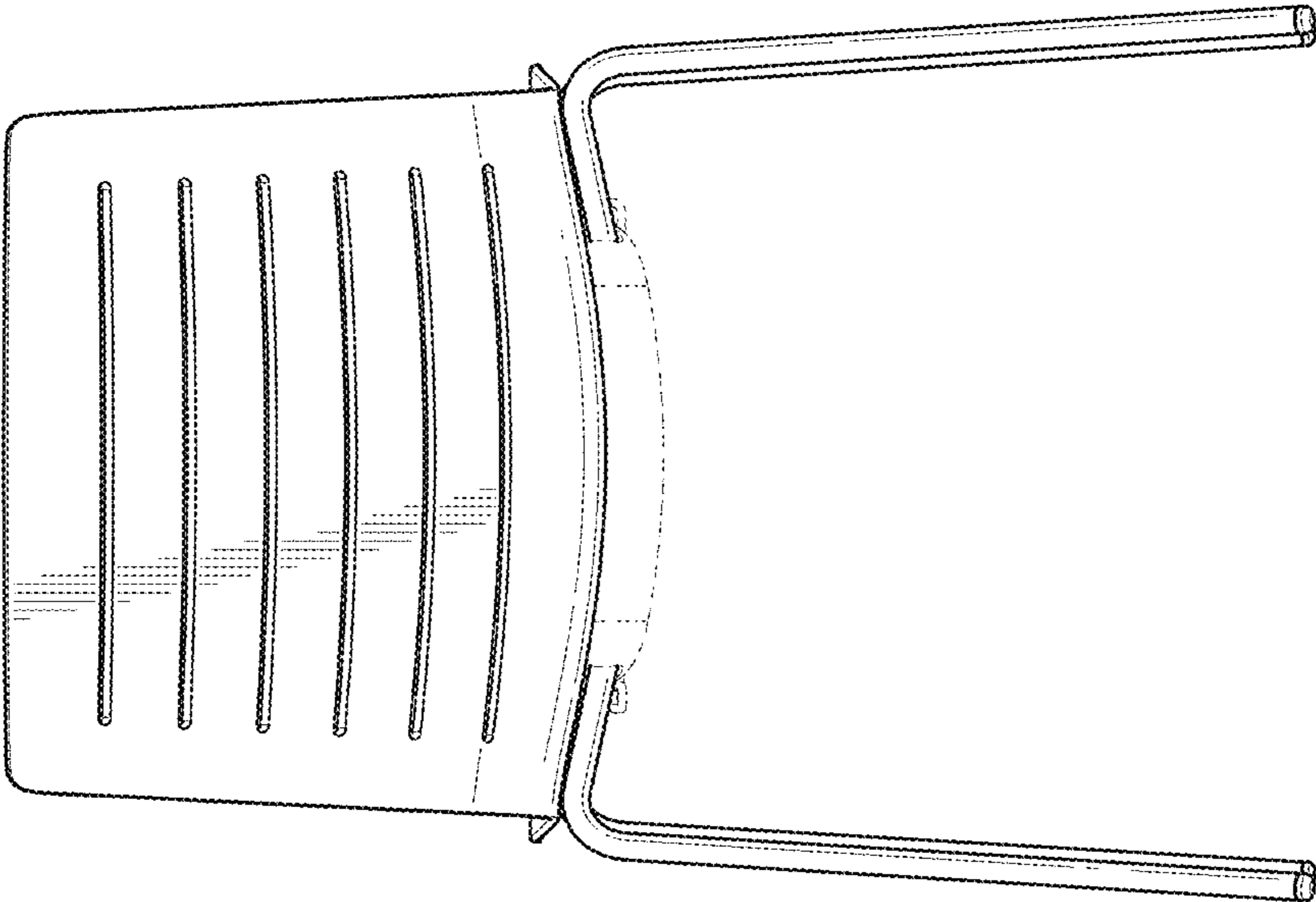


FIG. 3

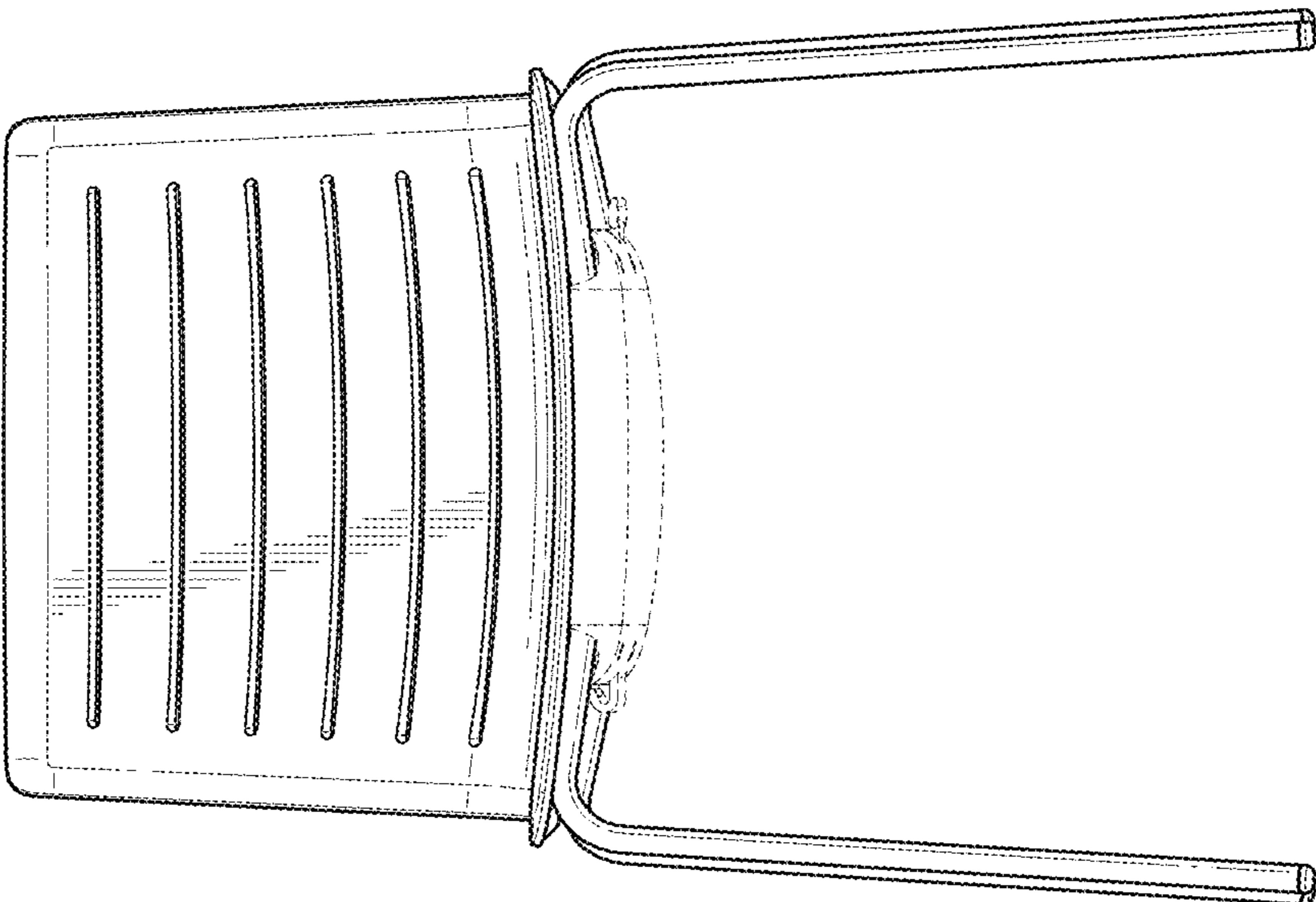


FIG. 2

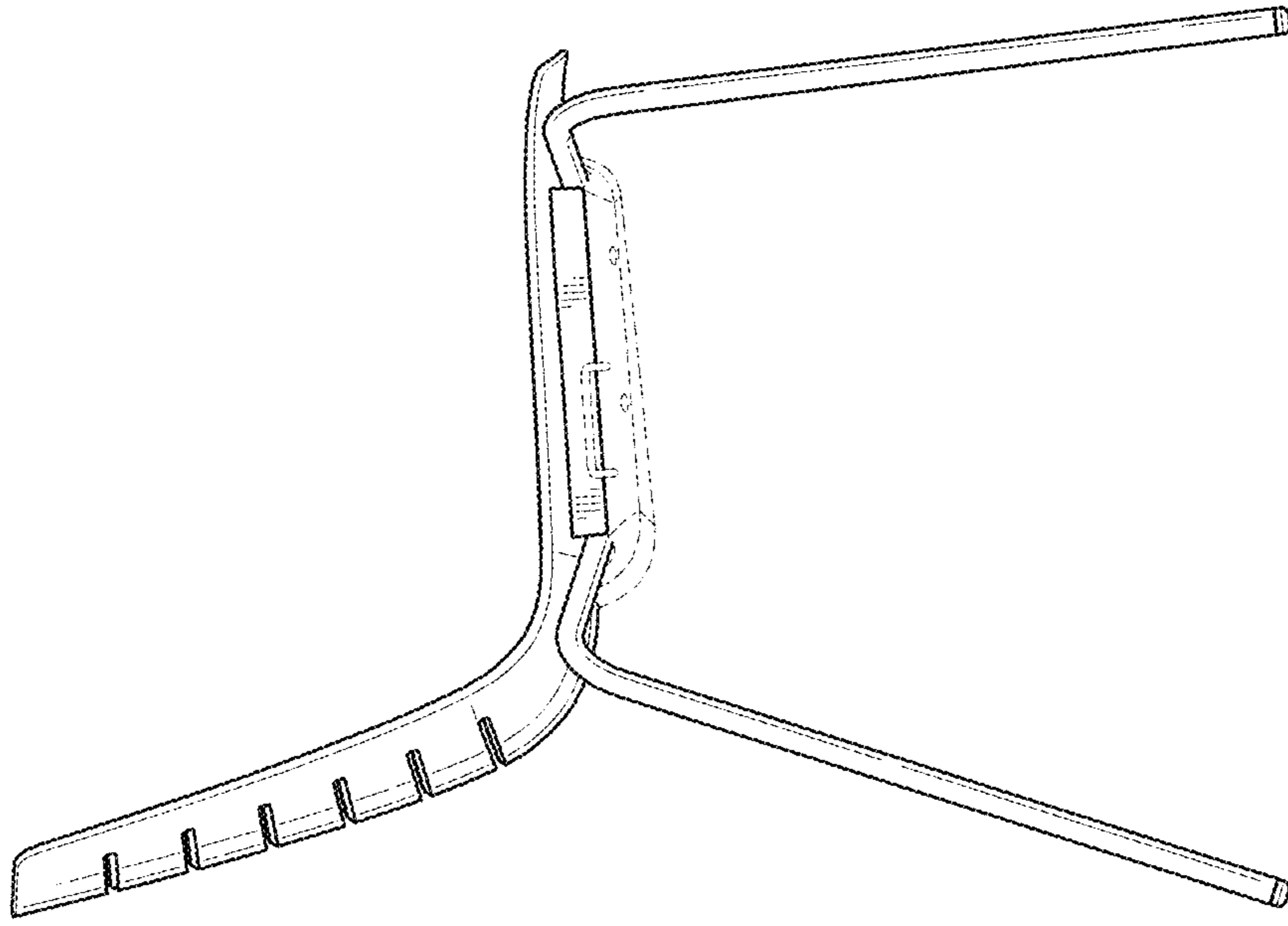


FIG. 5

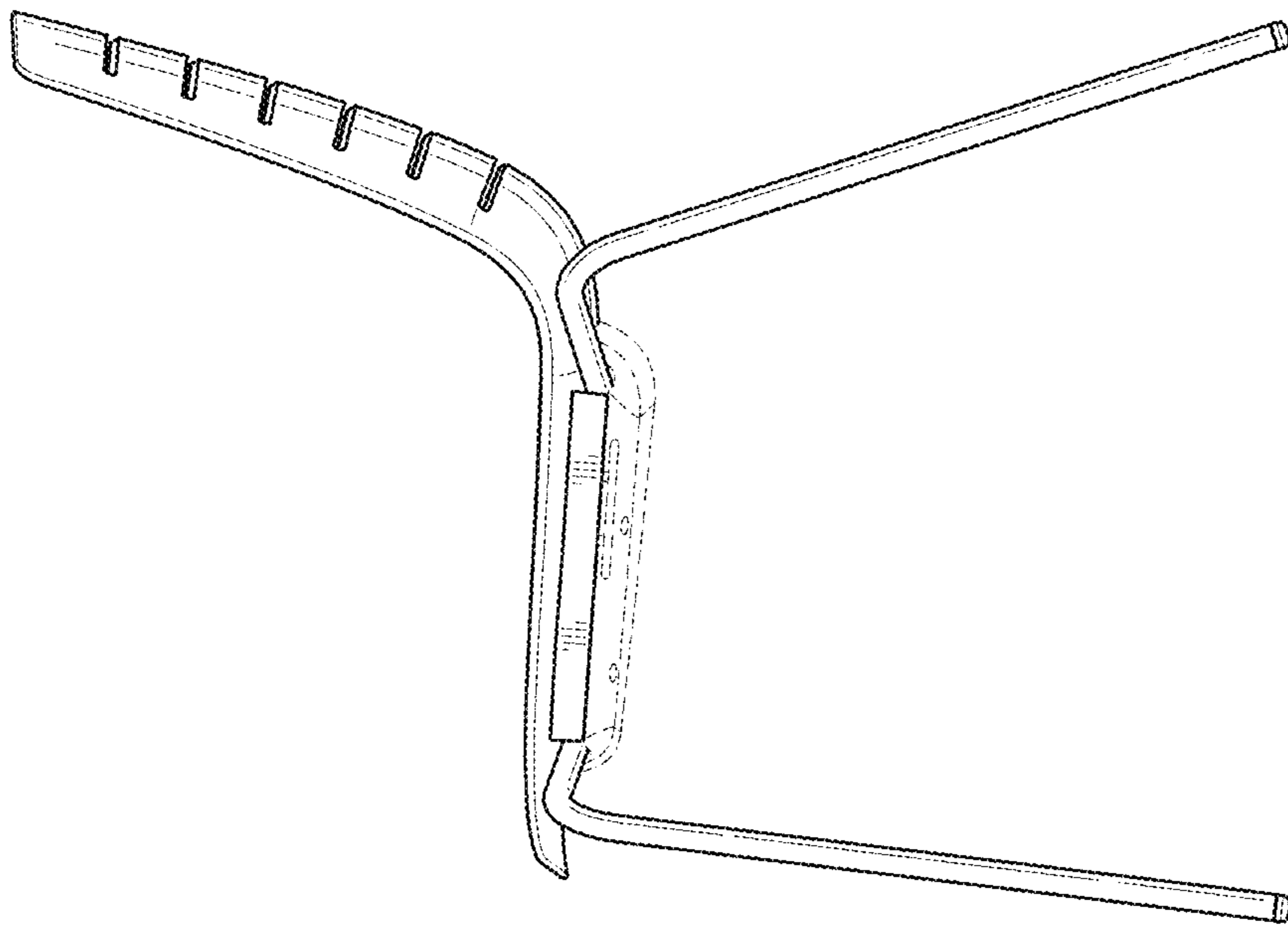


FIG. 4

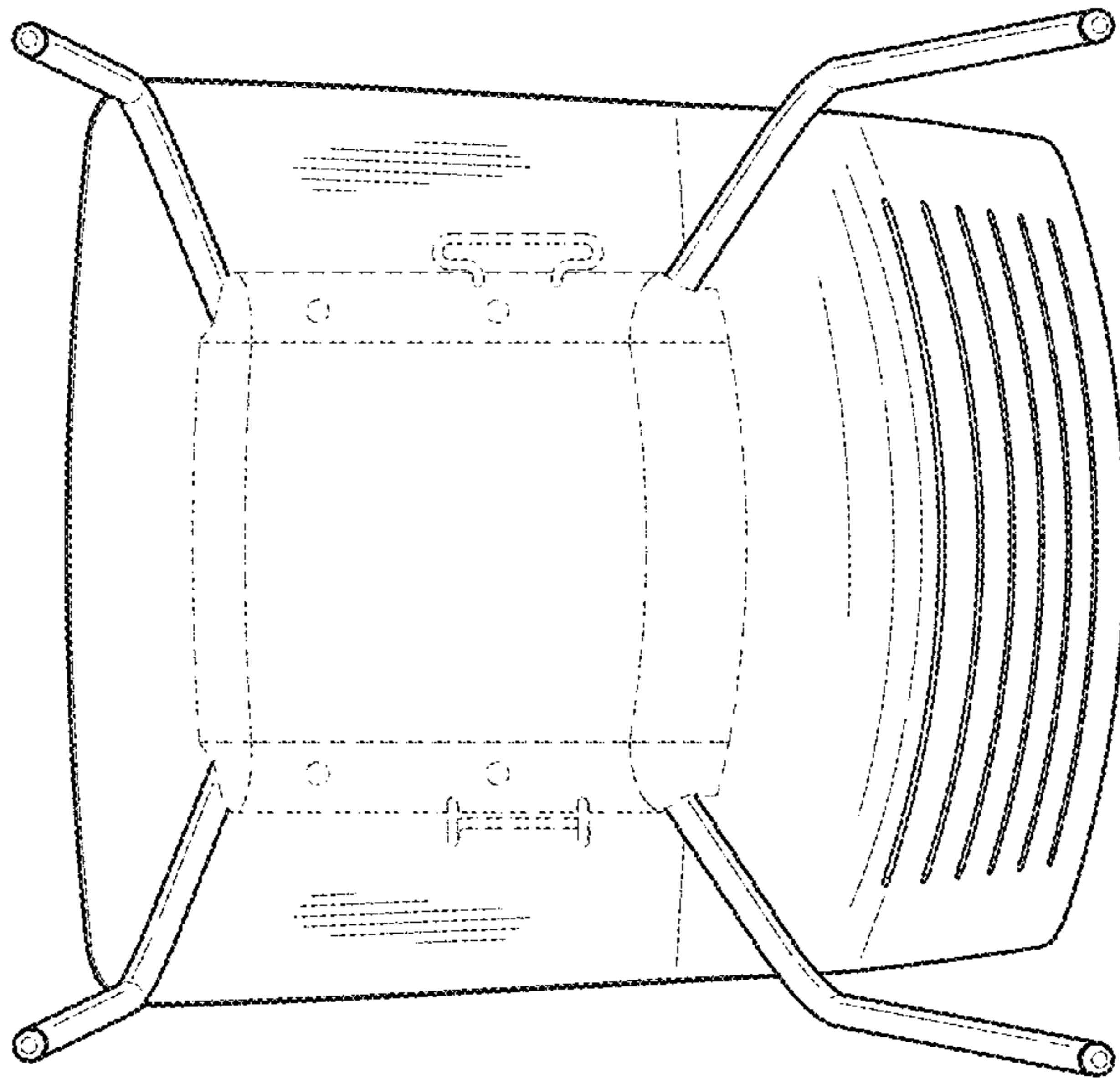


FIG. 7

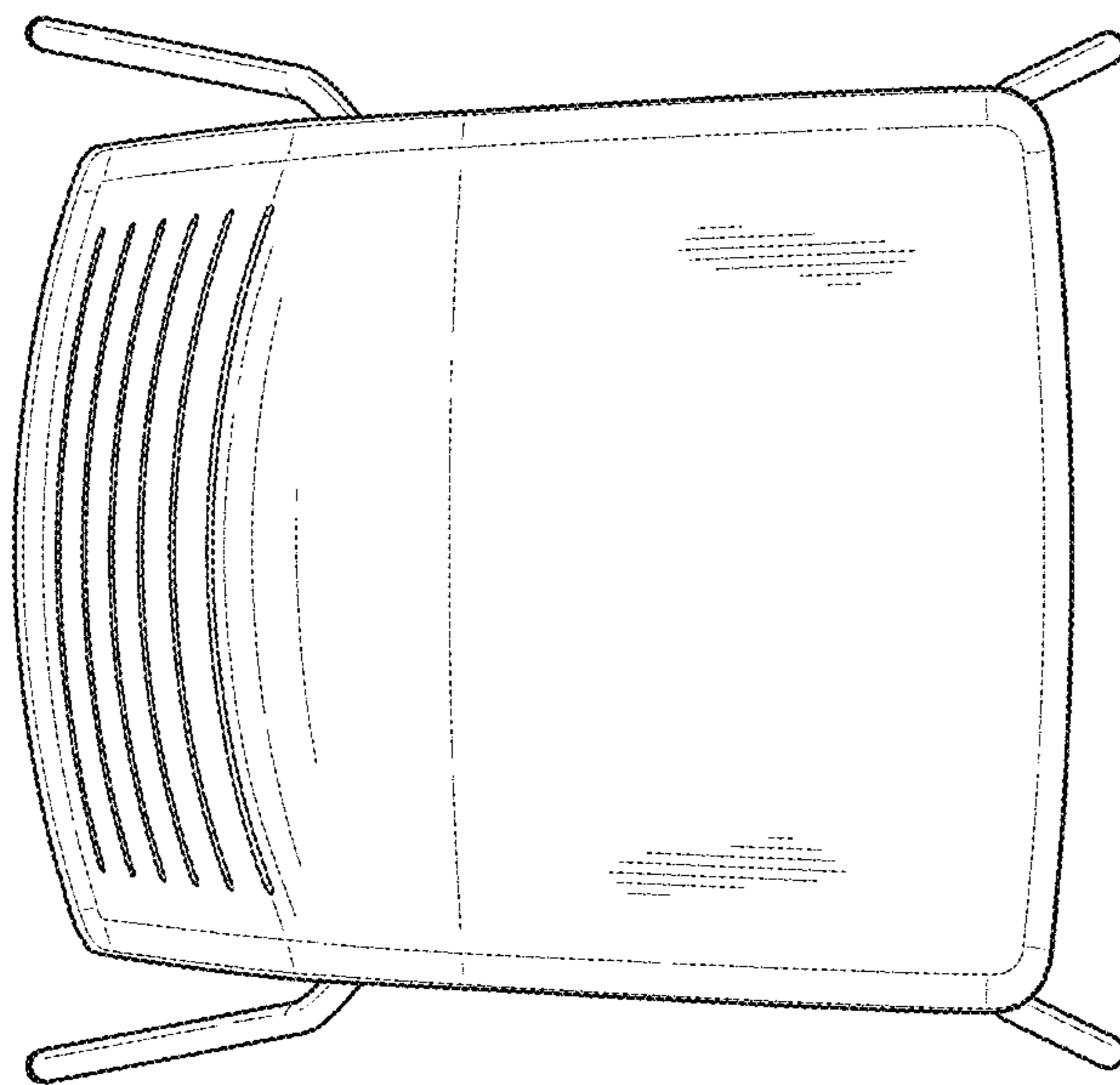


FIG. 6

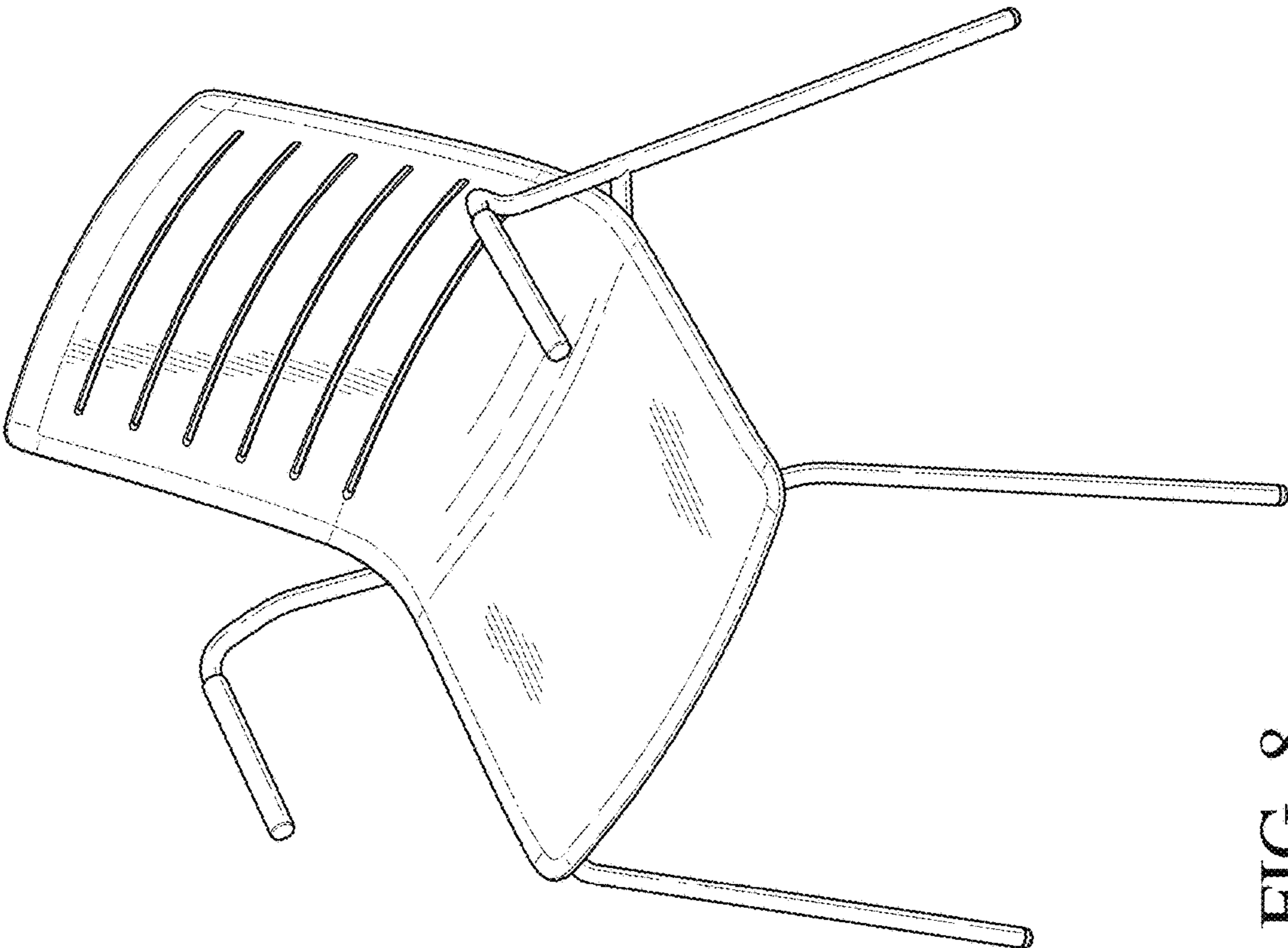


FIG. 8

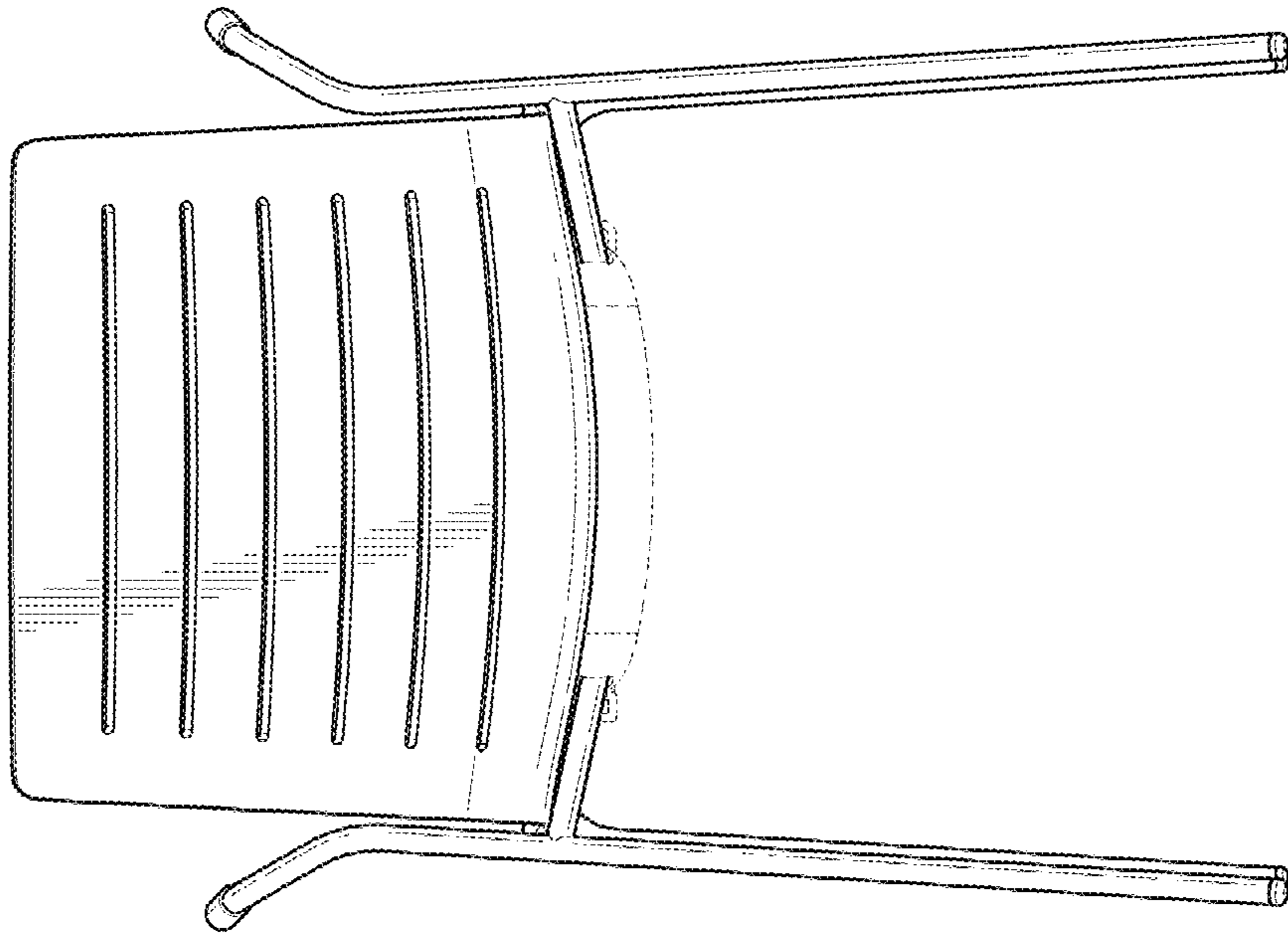


FIG. 10

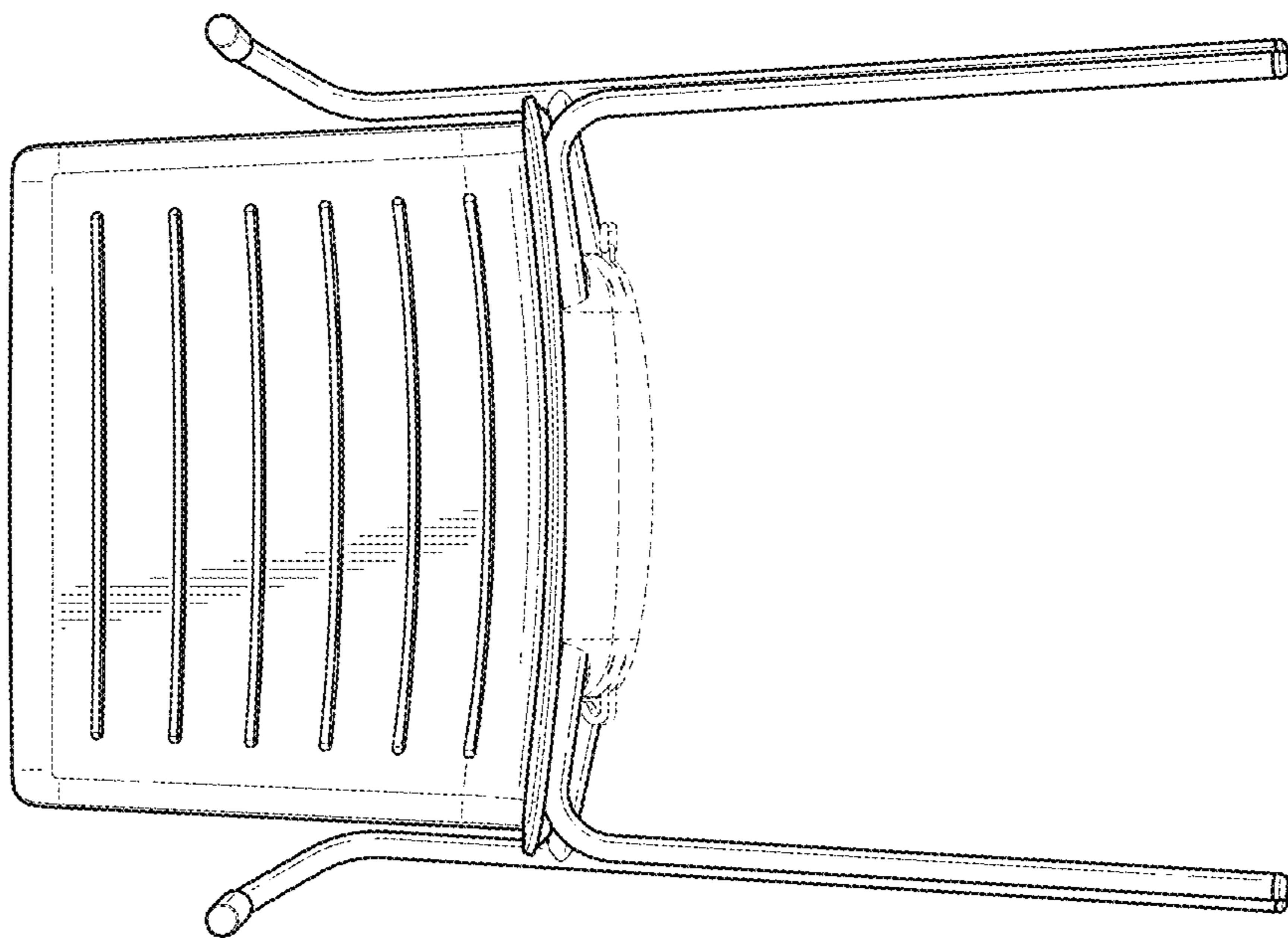


FIG. 9



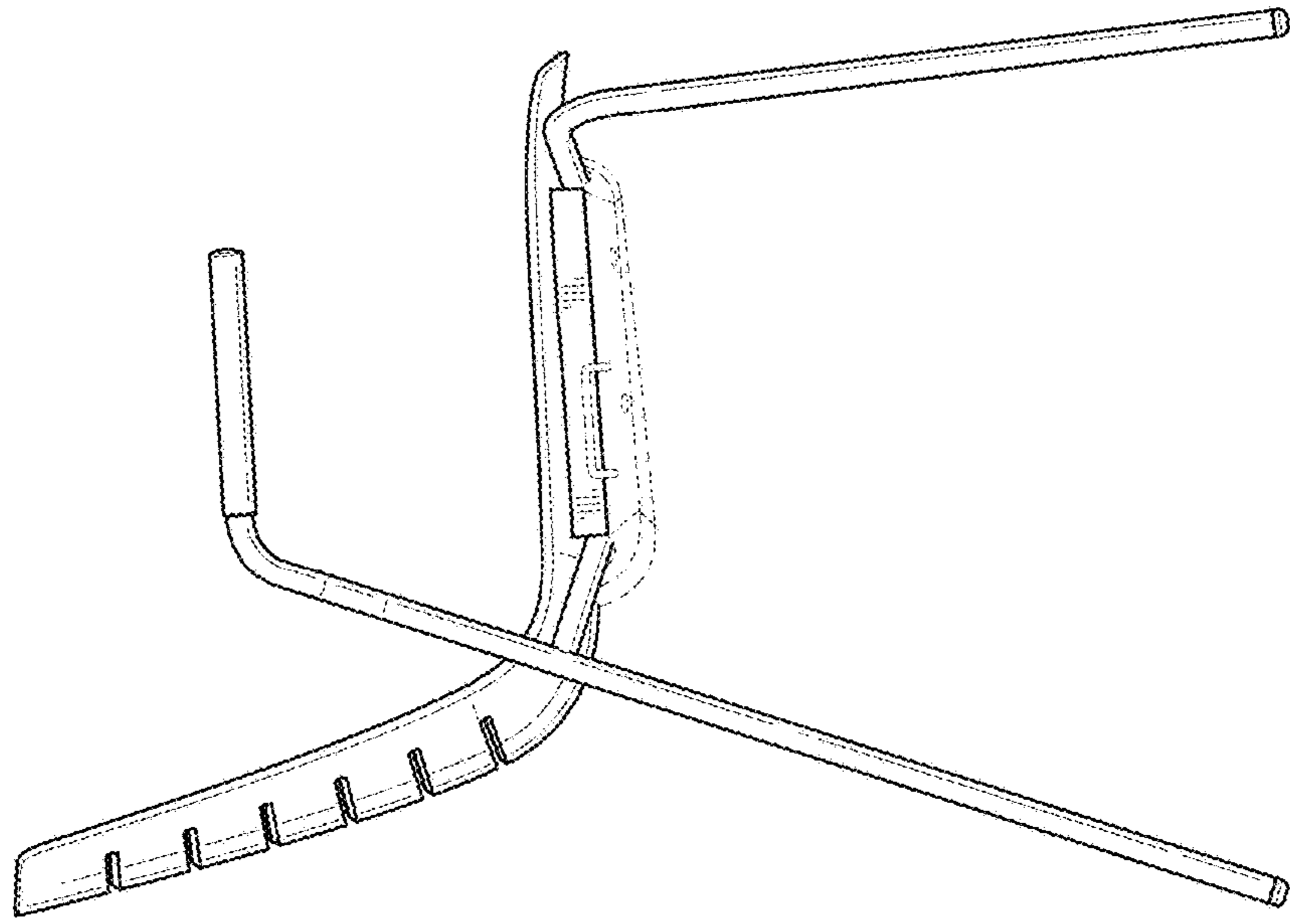


FIG. 11

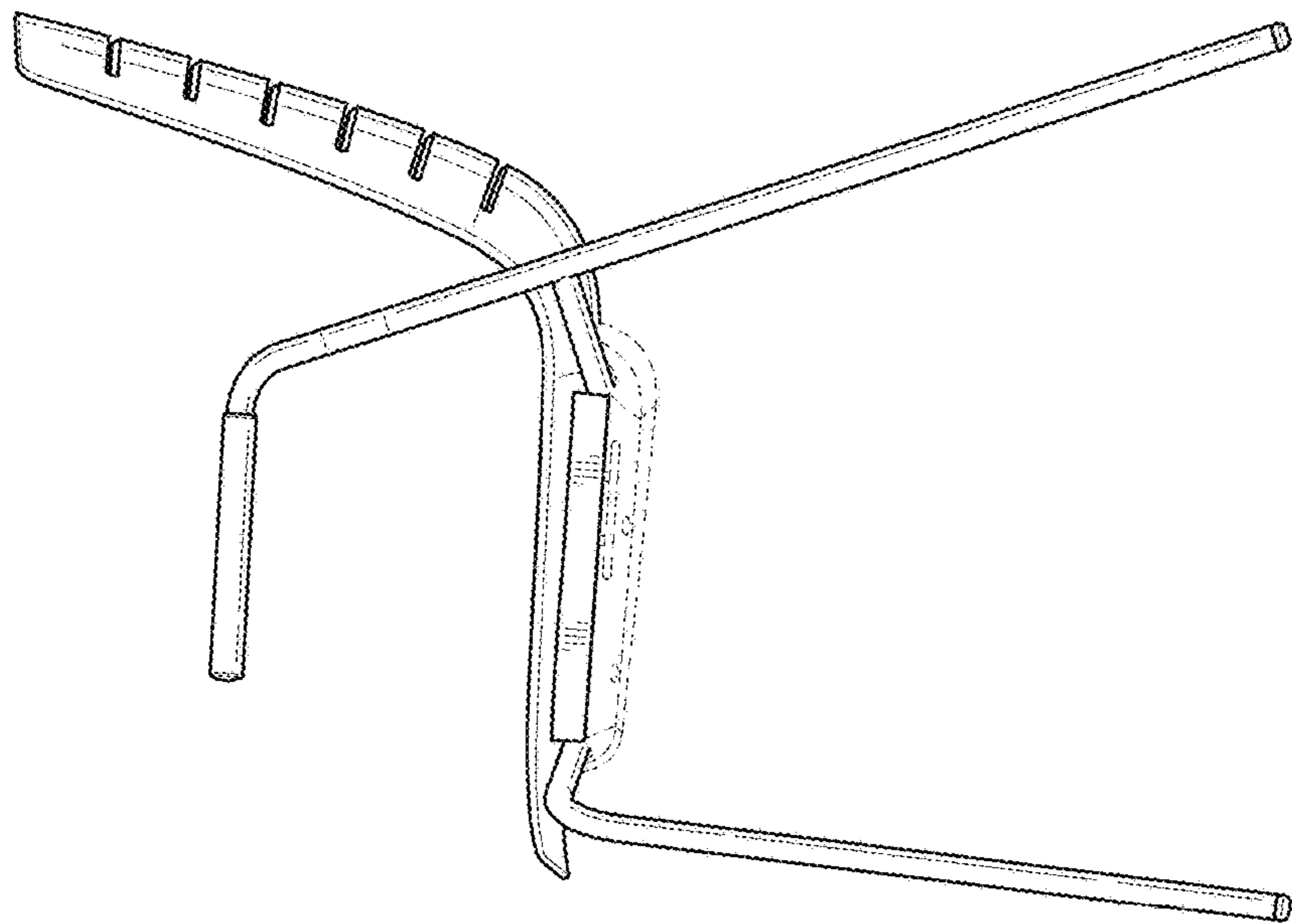


FIG. 12

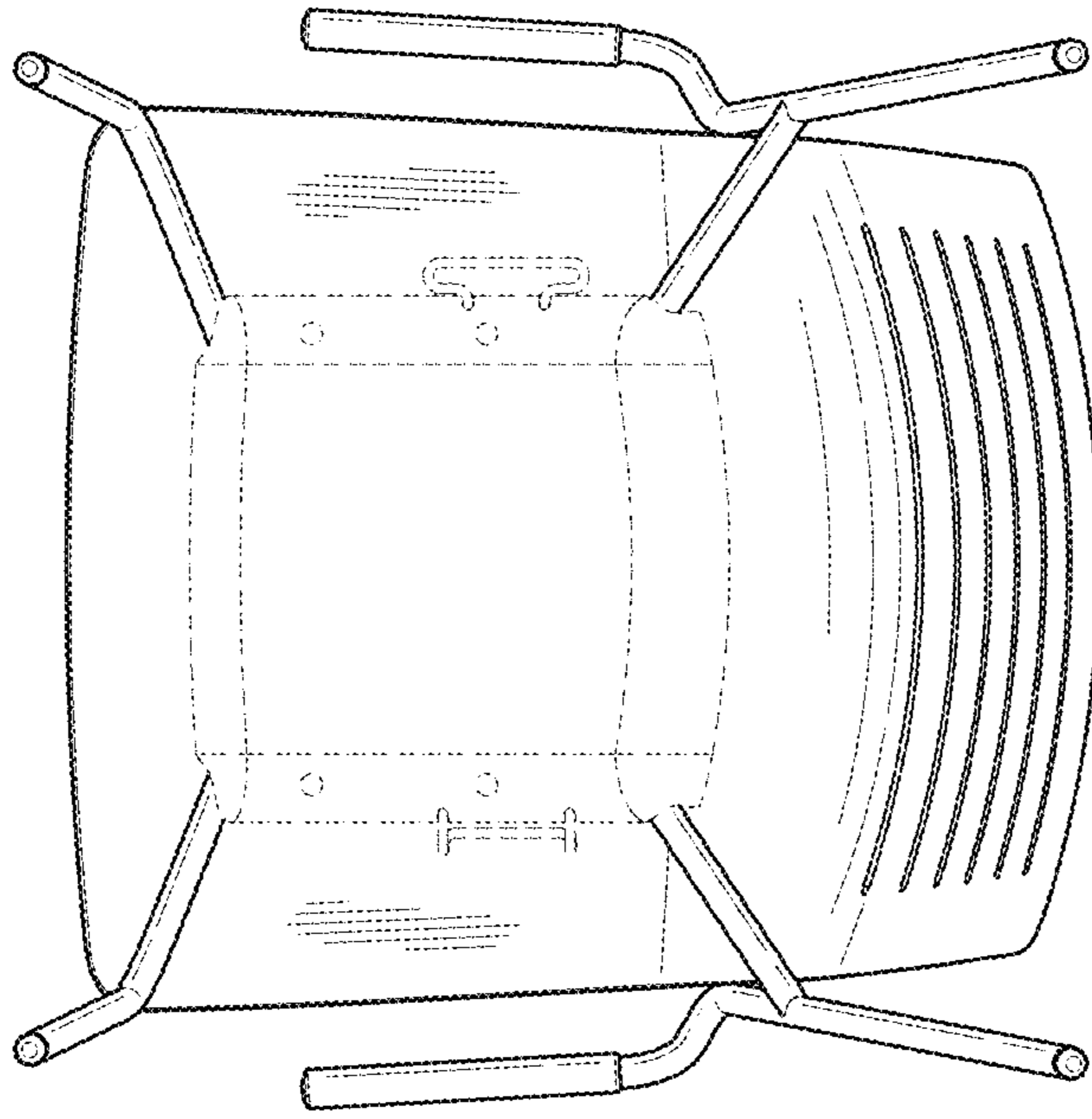


FIG. 14

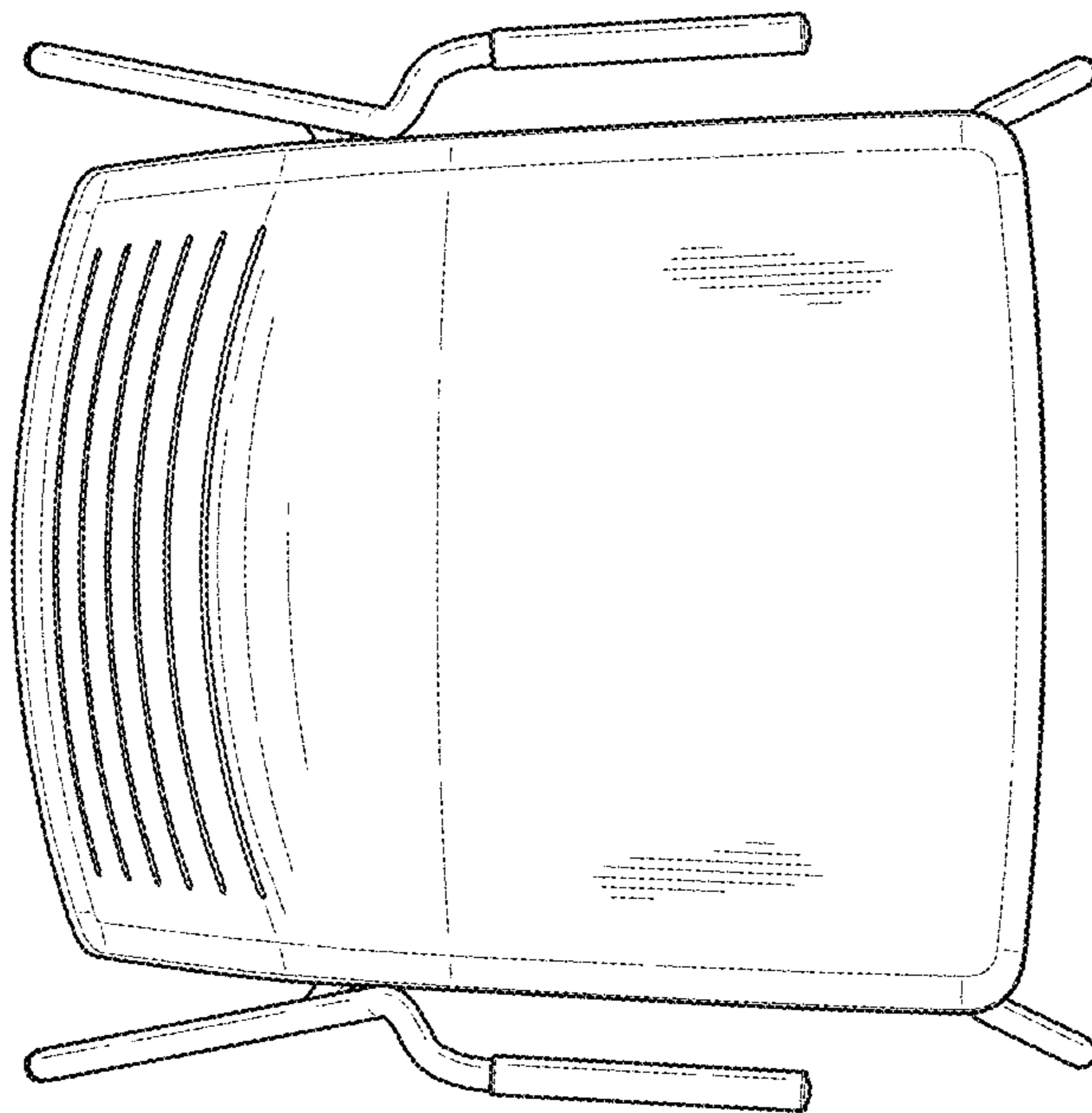


FIG. 13