



US00D779219S

(12) **United States Design Patent**
Miller

(10) **Patent No.:** **US D779,219 S**
(45) **Date of Patent:** **** Feb. 21, 2017**

(54) **SEATING**

- (71) Applicant: **Grand Rapids Chair Company**, Grand Rapids, MI (US)
- (72) Inventor: **Geoff J. Miller**, Ada, MI (US)
- (73) Assignee: **GRAND RAPIDS CHAIR COMPANY**, Grand Rapids, MI (US)
- (**) Term: **15 Years**
- (21) Appl. No.: **29/526,730**
- (22) Filed: **May 13, 2015**
- (51) **LOC (10) Cl.** **06-01**
- (52) **U.S. Cl.**
USPC **D6/373**
- (58) **Field of Classification Search**
USPC D6/334-336, 349, 360, 371, 372, 373,
D6/374, 376, 379, 380, 716, 716.1, 716.4
(Continued)

(56) **References Cited**

U.S. PATENT DOCUMENTS

- D90,912 S * 10/1933 Goodman 297/445.1
 - D157,447 S * 2/1950 Smith 297/447.2
- (Continued)

OTHER PUBLICATIONS

Commonly assigned U.S. Appl. No. 29/486,619, filed Apr. 1, 2014, entitled Seating.

(Continued)

Primary Examiner — Mimoso De

(74) *Attorney, Agent, or Firm* — Gardner, Linn, Burkhart & Flory, LLP

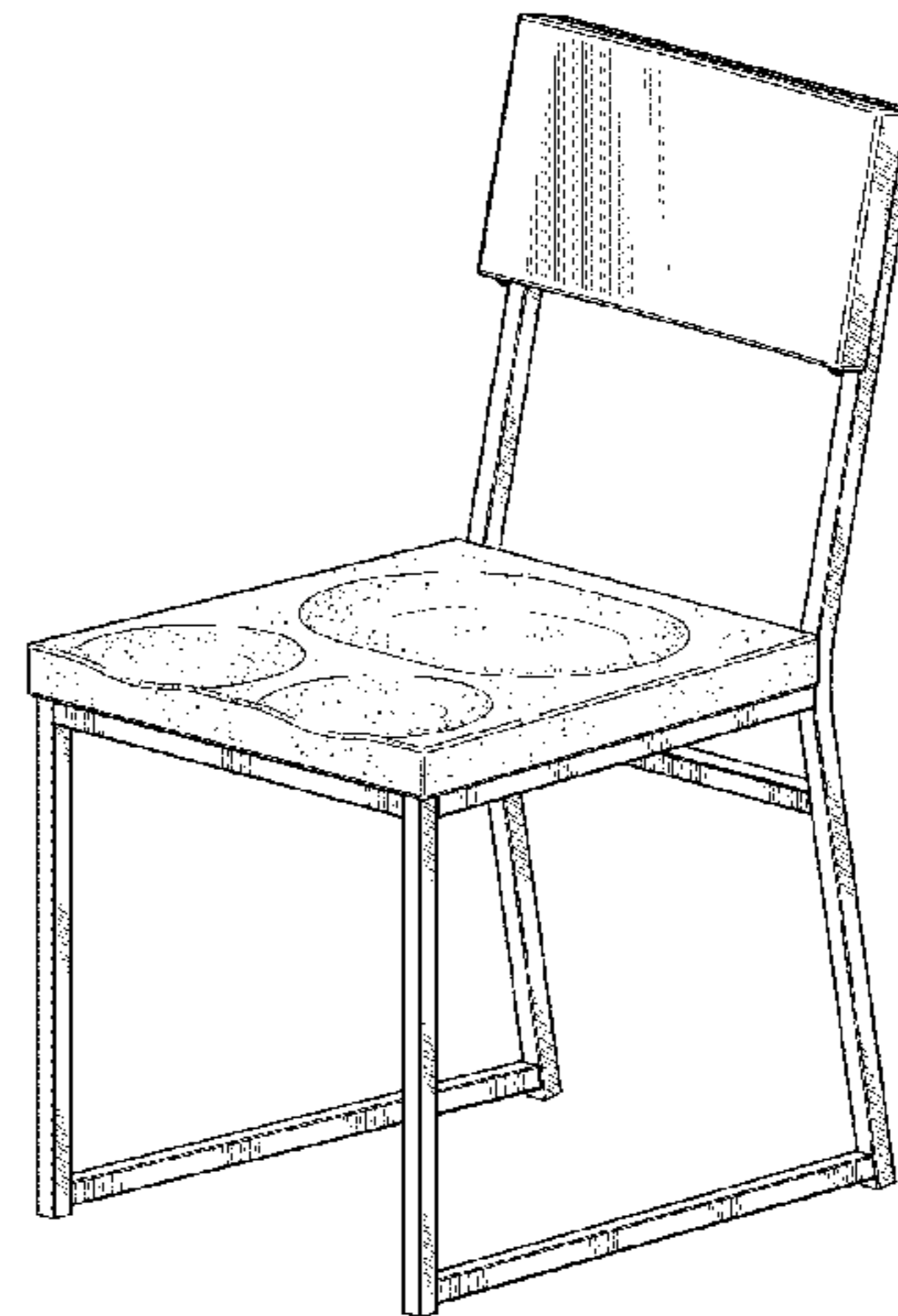
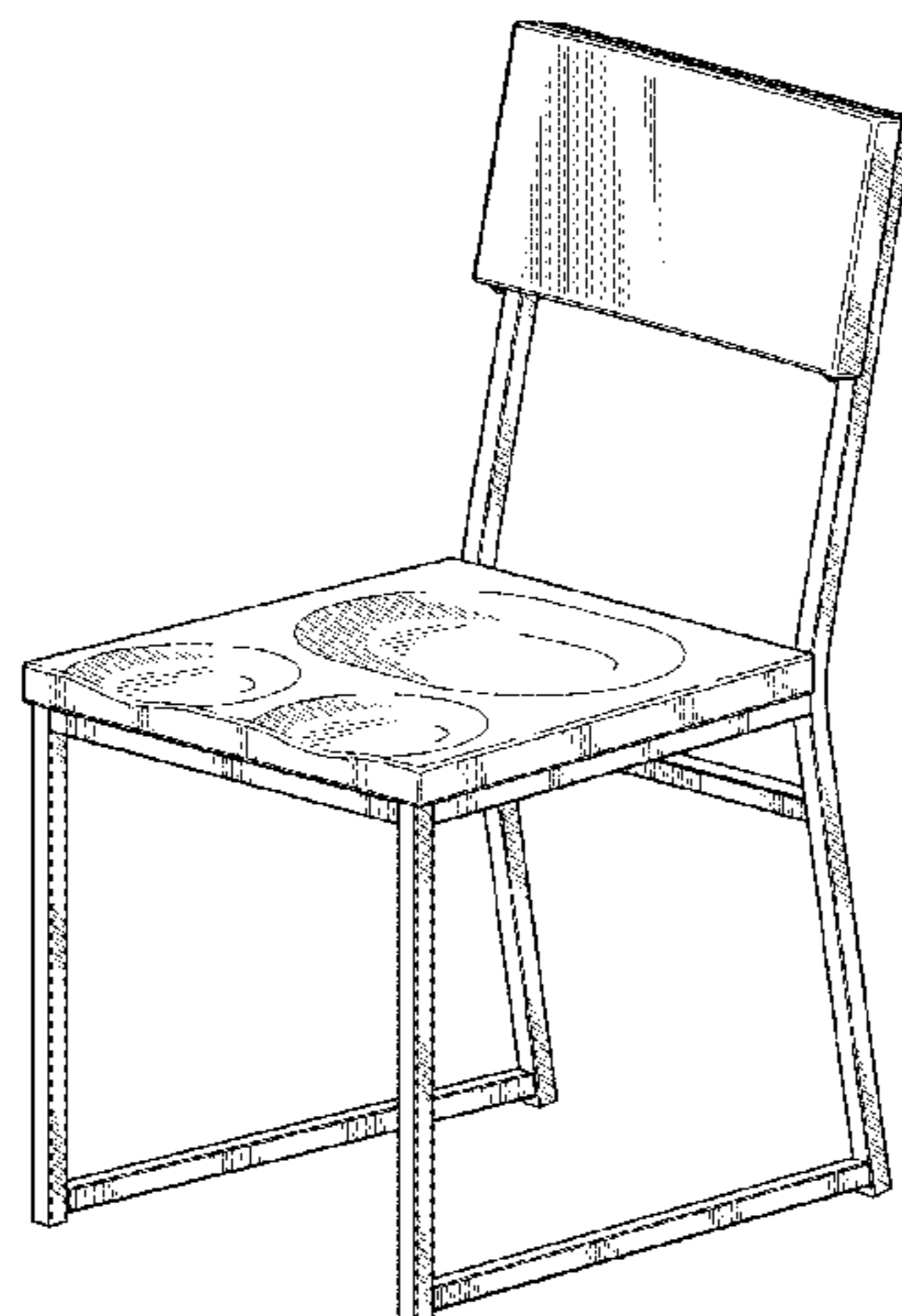
(57) **CLAIM**

The ornamental design for seating, substantially as shown and described.

DESCRIPTION

FIG. 1 is a perspective view of seating according to a first embodiment of the present invention;
 FIG. 2 is a front elevation view of the seating of FIG. 1;
 FIG. 3 is a left-side elevation view of the seating of FIG. 1;
 FIG. 4 is a rear elevation view of the seating of FIG. 1;
 FIG. 5 is a right-side elevation view of the seating of FIG. 1;
 FIG. 6 is a top-plan view of the seating of FIG. 1;
 FIG. 7 is a bottom plan view of the seating of FIG. 1;
 FIG. 8 is a perspective view of seating according to a second embodiment of the present invention;
 FIG. 9 is a front elevation view of the seating of FIG. 8;
 FIG. 10 is a left-side elevation view of the seating of FIG. 8;
 FIG. 11 is a rear elevation view of the seating of FIG. 8;
 FIG. 12 is a right-side elevation view of the seating of FIG. 8;
 FIG. 13 is a top plan view of the seating of FIG. 8;
 FIG. 14 is a bottom plan view of the seating of FIG. 8;
 FIG. 15 is a perspective view of seating according to a third embodiment of the present invention;
 FIG. 16 is a front elevation view of the seating of FIG. 15;
 FIG. 17 is a left-side elevation view of the seating of FIG. 15;
 FIG. 18 is a rear elevation view of the seating of FIG. 15;
 FIG. 19 is a right-side elevation view of the seating of FIG. 15;
 FIG. 20 is a top plan view of the seating of FIG. 15;
 FIG. 21 is a bottom plan view of the seating of FIG. 15;
 FIG. 22 is a perspective view of seating according to a fourth embodiment of the present invention;
 FIG. 23 is a front elevation view of the seating of FIG. 22;
 FIG. 24 is a left-side elevation view of the seating of FIG. 22;
 FIG. 25 is a rear elevation view of the seating of FIG. 22;
 FIG. 26 is a right-side elevation view of the seating of FIG. 22;
 FIG. 27 is a top-plan view of the seating of FIG. 22; and,
 FIG. 28 is a bottom plan view of the seating of FIG. 22.

(Continued)



The broken lines shown are included for the purpose of illustrating environment of the design and form no part of the claimed design.

1 Claim, 16 Drawing Sheets

(58) **Field of Classification Search**

CPC A47C 3/04; A47C 4/024; A47C 4/025;
A47C 4/028; A47C 4/03; A47C
5/046; A47C 7/021; A47C 7/18; A47C
9/007

See application file for complete search history.

(56) **References Cited**

U.S. PATENT DOCUMENTS

D166,660 S *	5/1952	Curtis	297/440.13
D180,660 S *	7/1957	Johnson	297/411.2
D193,657 S	9/1962	Van Buren	
D197,643 S	3/1964	Kramer	
D202,549 S	10/1965	Kramer	
D202,550 S	10/1965	Kramer	
D223,244 S	4/1972	Prashker	
D224,952 S *	10/1972	Wilson	D6/373
D239,988 S	5/1976	Dittert	
D240,483 S *	7/1976	Sklaroff	D6/373
D240,780 S	8/1976	Dittert	
4,032,190 A	6/1977	Muller-Deisig et al.	
D255,183 S	6/1980	Locher	
D255,293 S	6/1980	Locher	
D268,799 S	5/1983	Feldberg	
D272,393 S	1/1984	Klier	
D279,155 S	6/1985	Aronowitz et al.	
D293,050 S *	12/1987	Lemmeyer	D6/373
D307,221 S	4/1990	Mudge	
D332,707 S *	1/1993	Muller	D6/373
D339,940 S	10/1993	Balderi et al.	
D346,911 S	5/1994	Lucci et al.	
D372,132 S	7/1996	Infanti	
D375,848 S	11/1996	Grosfillex	
D381,828 S	8/1997	Kemnitzer	
D422,806 S	4/2000	Neil	
D512,236 S	12/2005	Preisig	
D512,238 S	12/2005	Chen	

D524,071 S	7/2006	Brooks	
D531,420 S	11/2006	Kita	
D544,228 S	6/2007	Bartlmae	
D559,570 S	1/2008	Higgs et al.	
D566,979 S	4/2008	Cox et al.	
D572,049 S	7/2008	Kerr	
D572,928 S	7/2008	Rittfeldt et al.	
D582,692 S	12/2008	Kerr	
D588,826 S *	3/2009	Ricchio	D6/360
D597,757 S	8/2009	Barbieri	
D597,758 S	8/2009	Barrett et al.	
D609,036 S	2/2010	Miller et al.	
D611,740 S	3/2010	Koh	
D643,652 S	8/2011	Piretti	
D644,849 S	9/2011	Sienkowski et al.	
D646,087 S	10/2011	Miller et al.	
D648,566 S	11/2011	Sienkowski et al.	
8,112,868 B2	2/2012	Miller	
D659,424 S	5/2012	Gramza et al.	
D659,444 S	5/2012	James	
D663,131 S	7/2012	Barefoot et al.	
D672,975 S	12/2012	Rashid	
D674,209 S *	1/2013	Muller	D6/380
D683,558 S	6/2013	Rada et al.	
D686,836 S	7/2013	Mascetti et al.	
8,511,753 B2 *	8/2013	Huang	A47C 3/04 297/440.2
D701,719 S	4/2014	Haase et al.	
D707,461 S	6/2014	Rada et al.	
D723,826 S	3/2015	Kaloustian et al.	
D739,663 S *	9/2015	Yuglich	D6/380
D740,046 S *	10/2015	Levy	D6/379
D741,618 S *	10/2015	Haase	D6/360
D747,611 S *	1/2016	Haase	D6/380
D763,003 S *	8/2016	Moscheri	D6/380
D763,004 S *	8/2016	Moscheri	D6/380
2009/0212607 A1	8/2009	Kaloustian et al.	
2011/0278889 A1	11/2011	Sienkowski et al.	
2014/0361593 A1	12/2014	Kaloustian et al.	

OTHER PUBLICATIONS

Commonly assigned U.S. Appl. No. 29/515,469, filed Jan. 23, 2015, entitled Chair.

Commonly assigned U.S. Appl. No. 29/488,533, filed Apr. 21, 2014, entitled Seating.

* cited by examiner

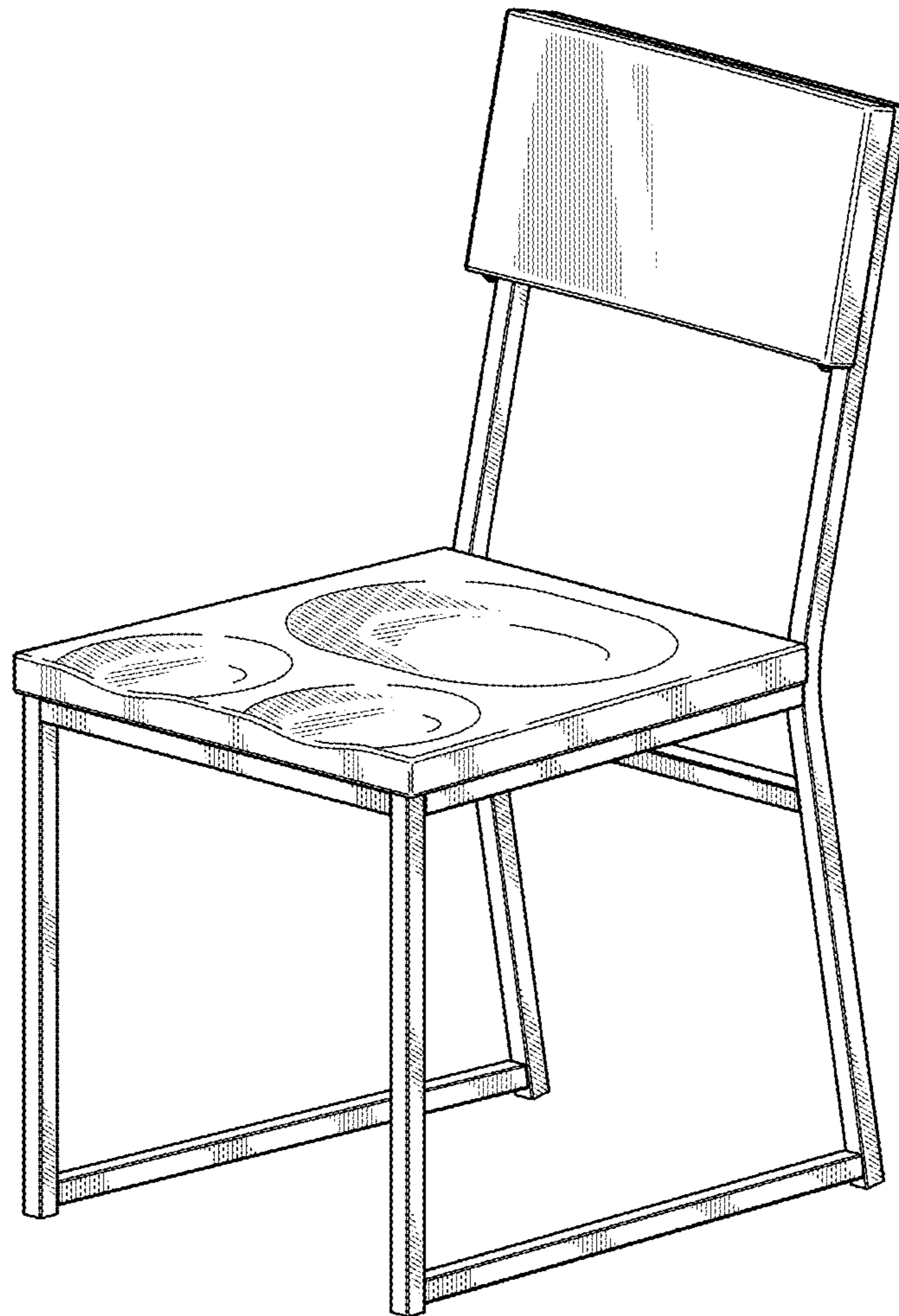


FIG. 1

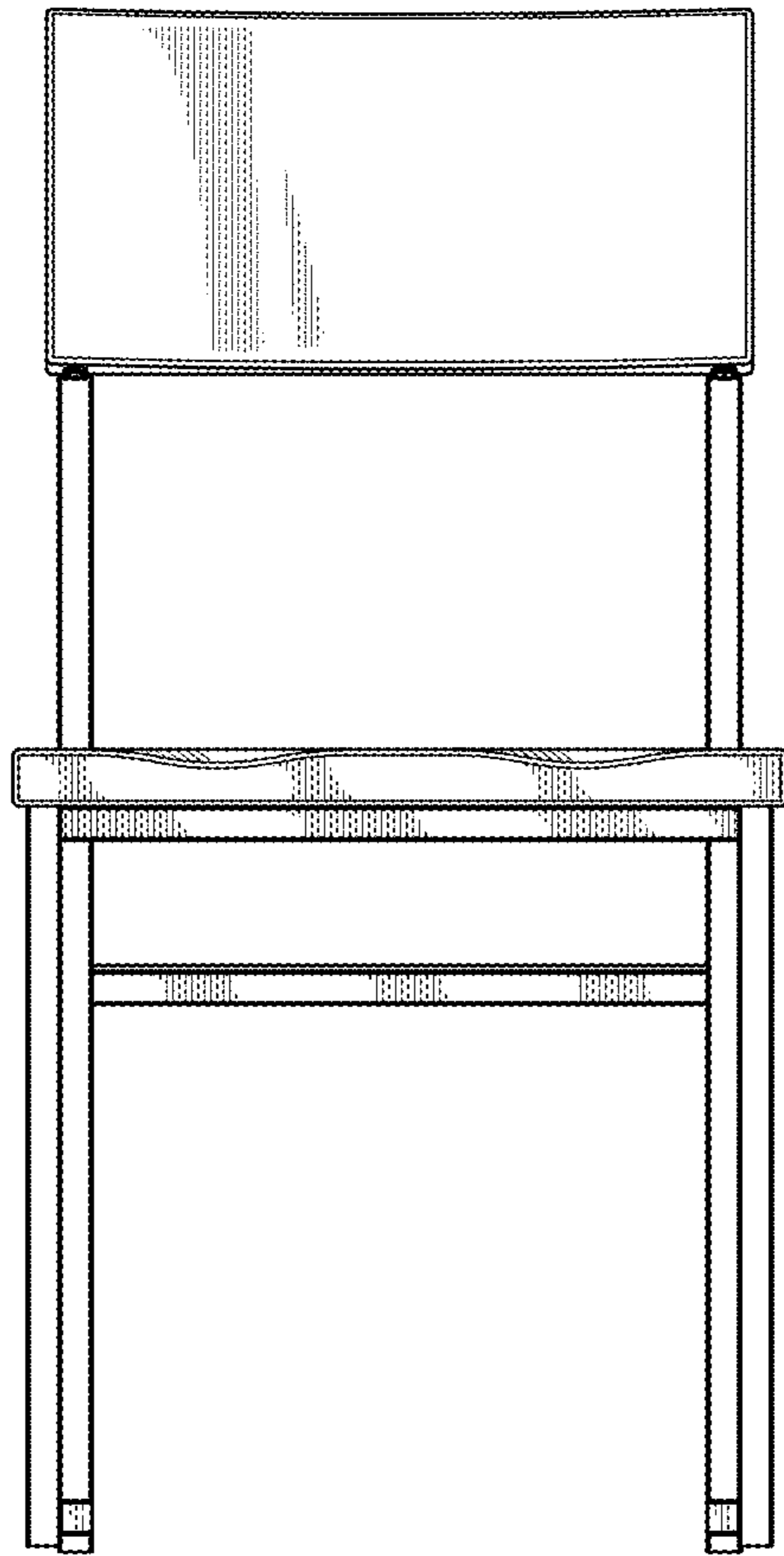


FIG. 2

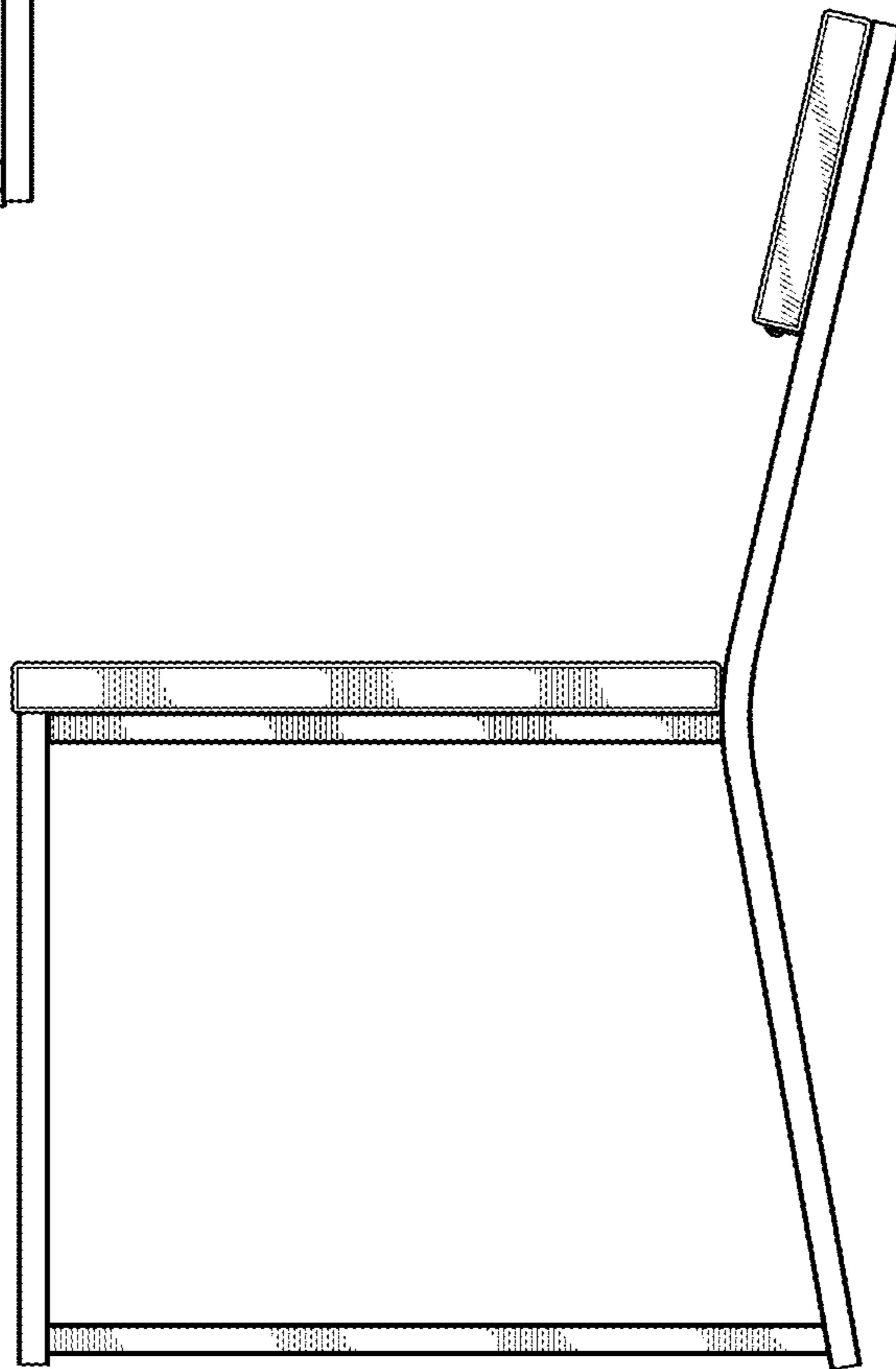


FIG. 3

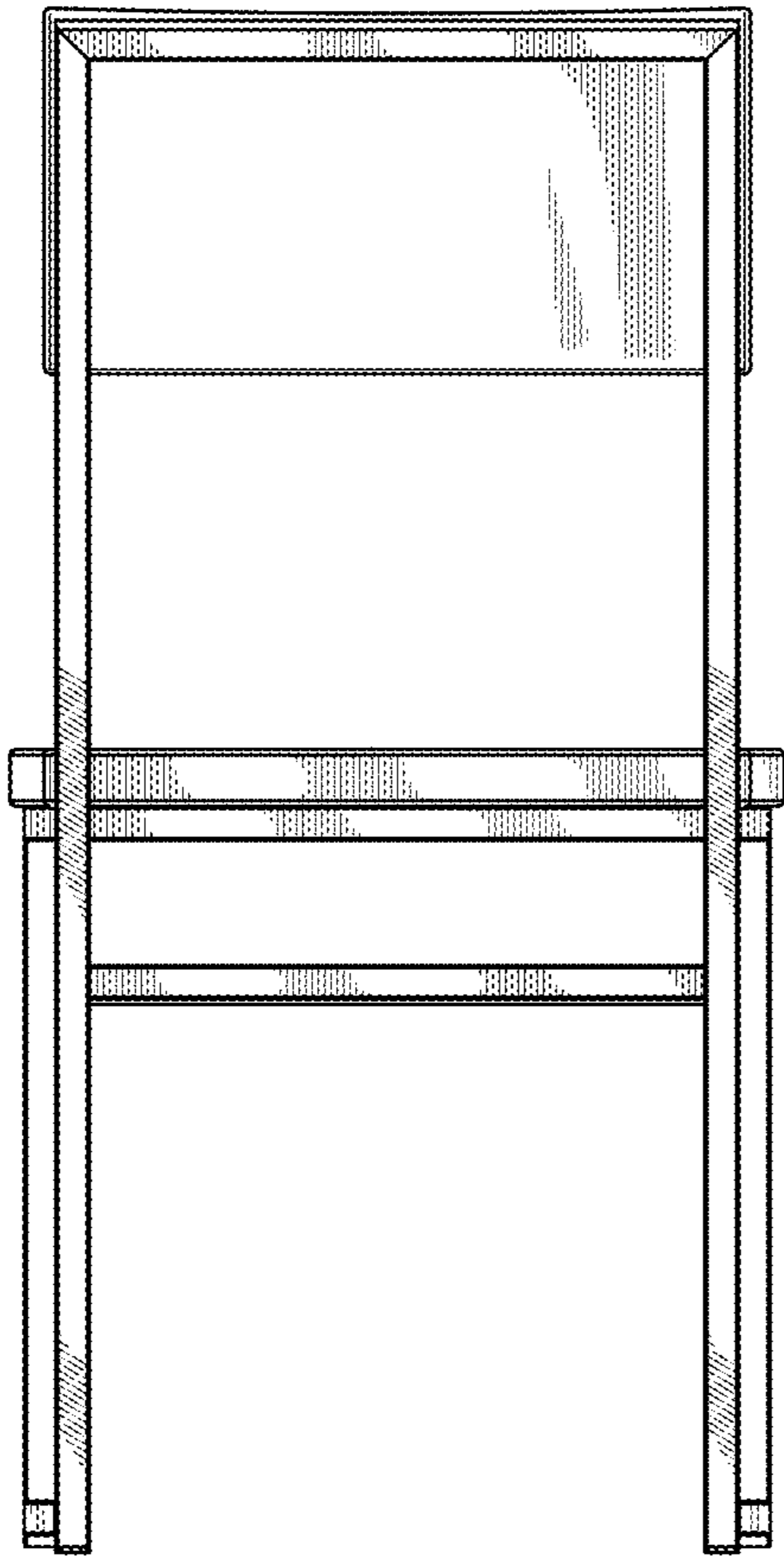


FIG. 4

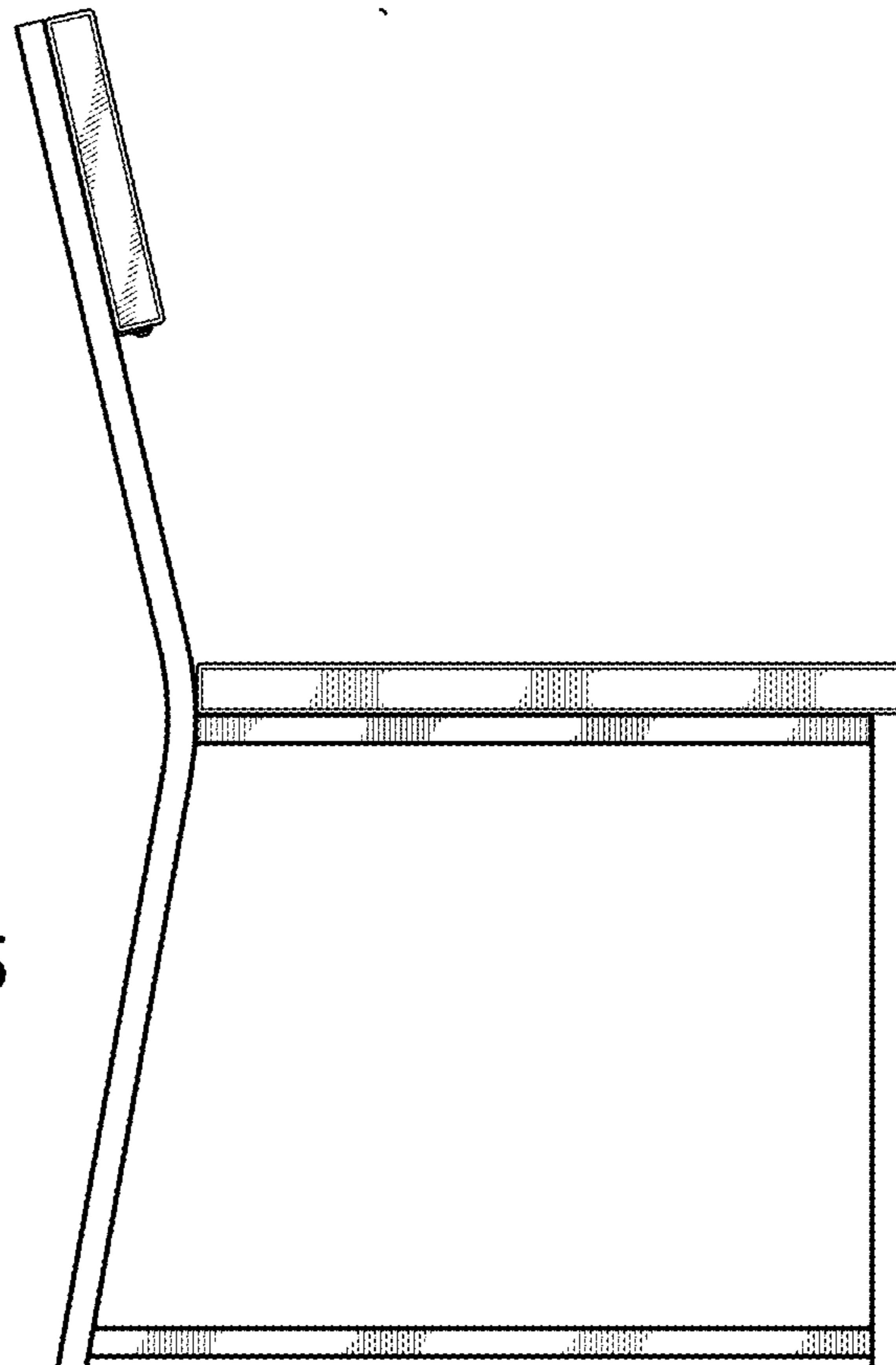


FIG. 5

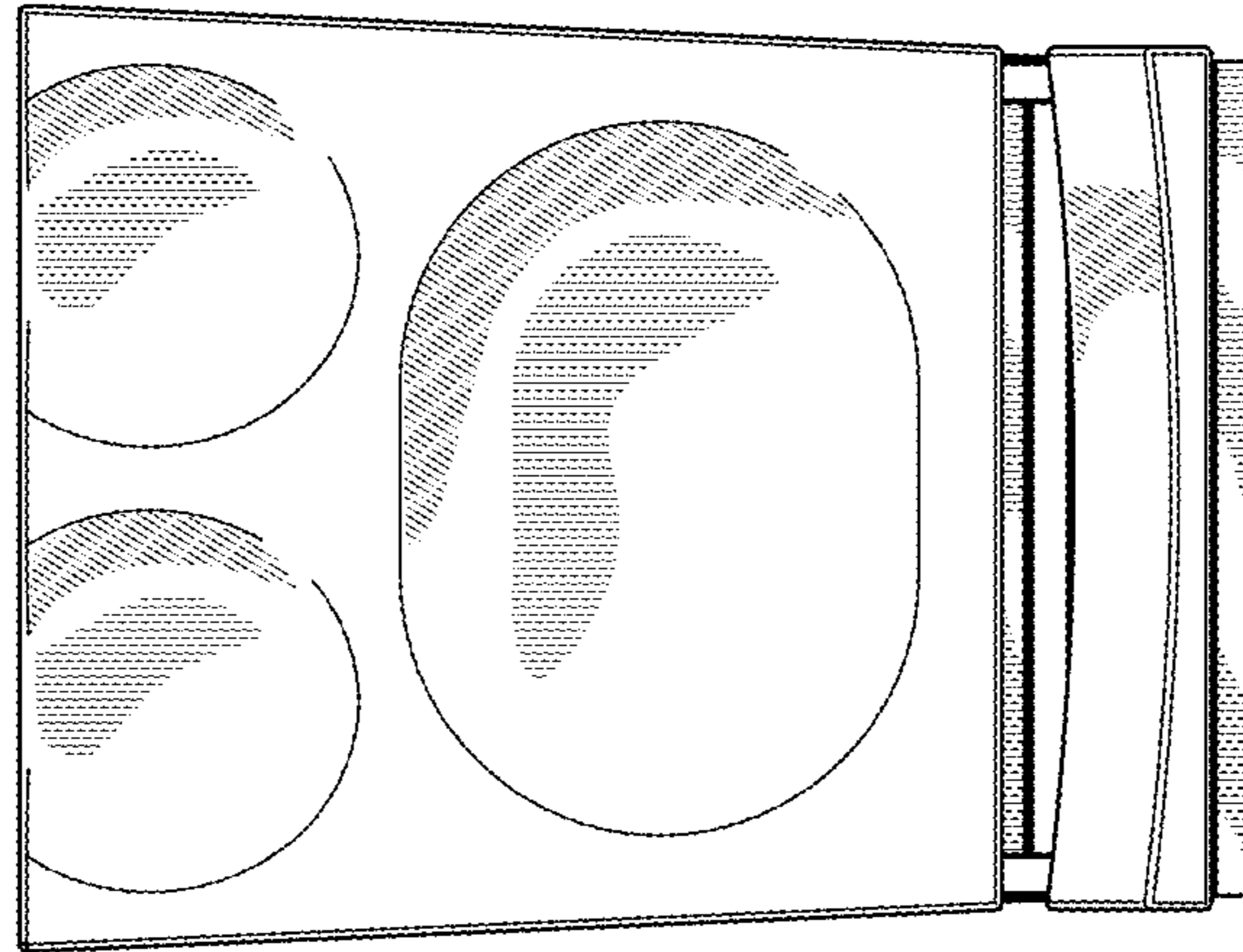


FIG. 6

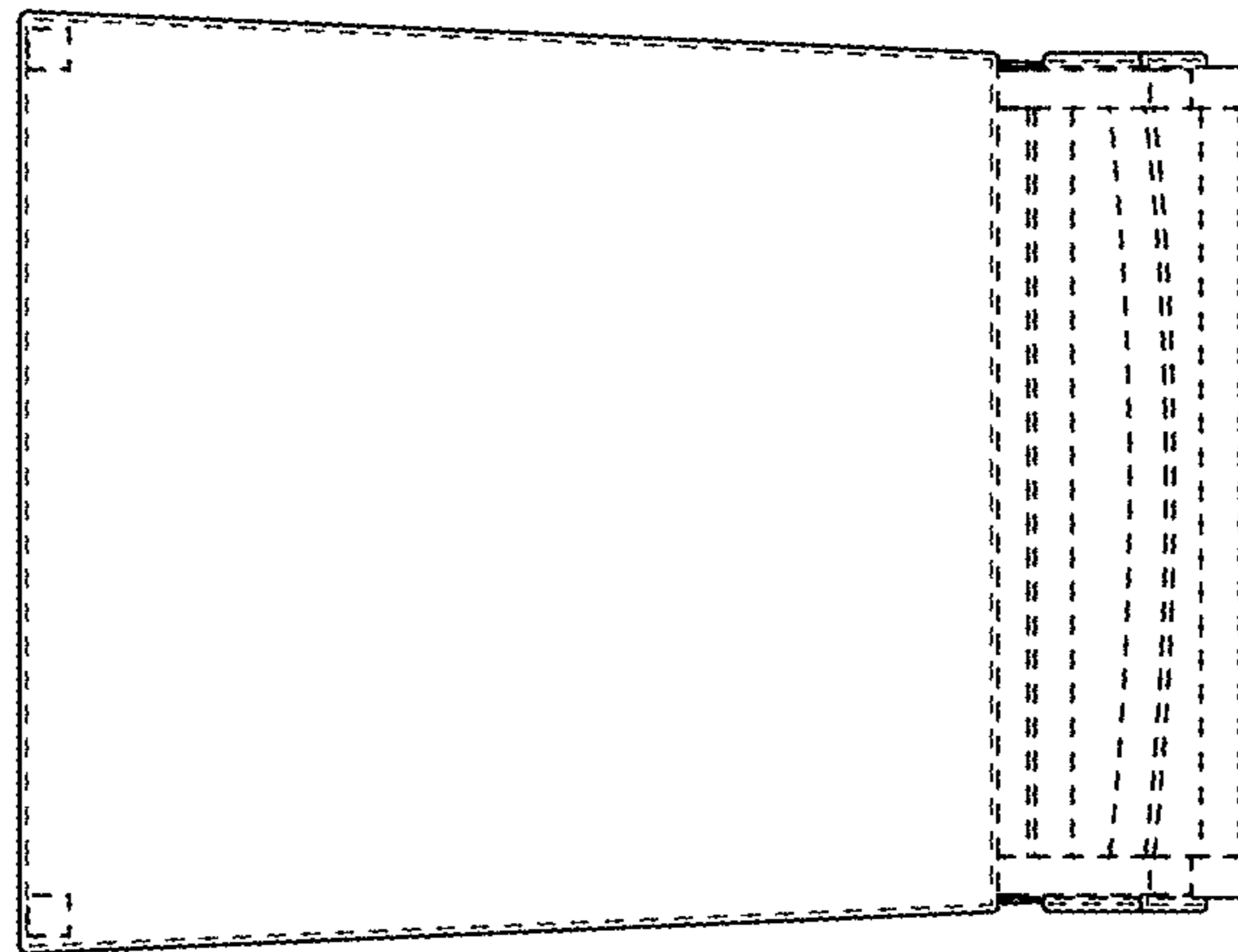


FIG. 7

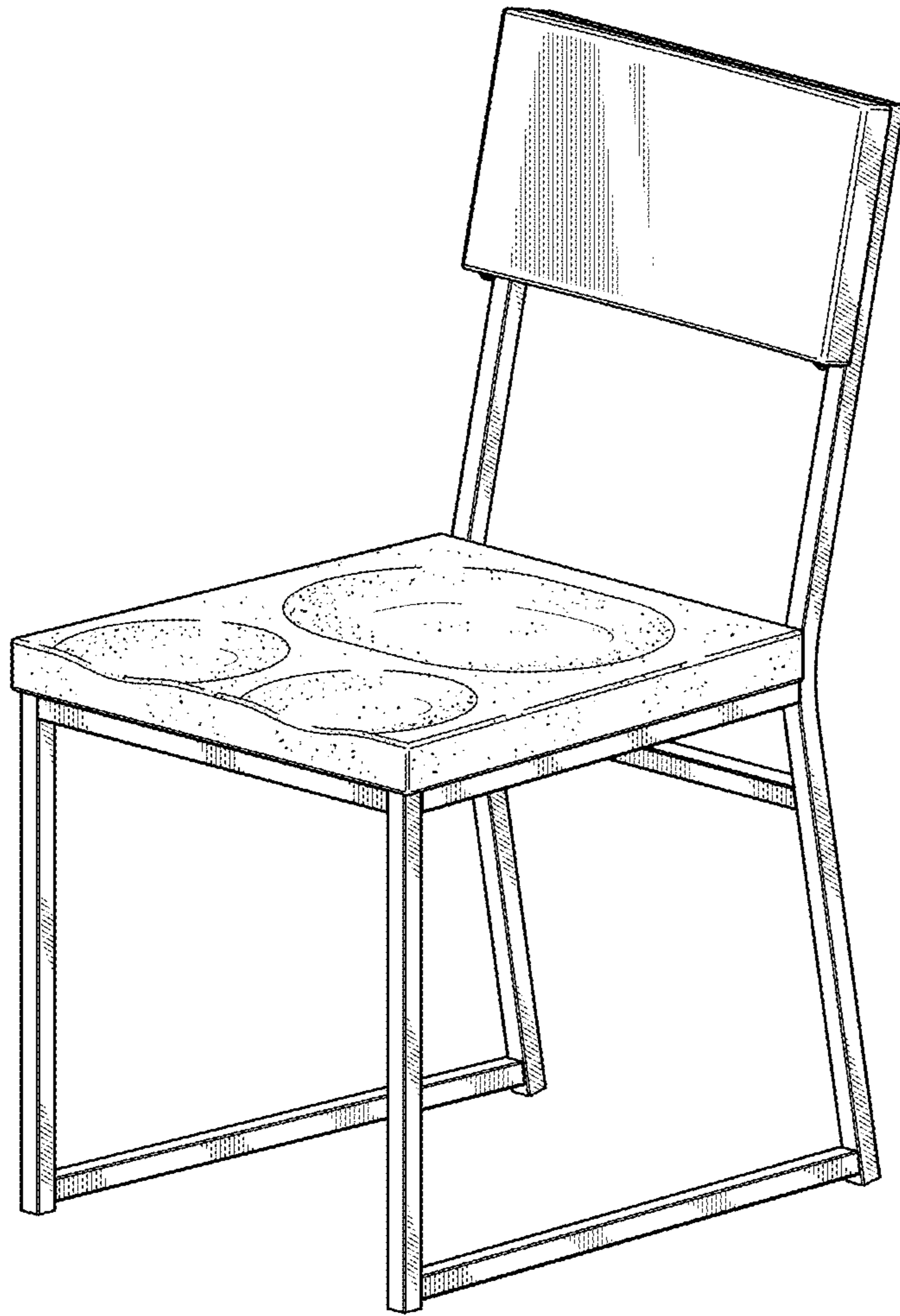


FIG. 8

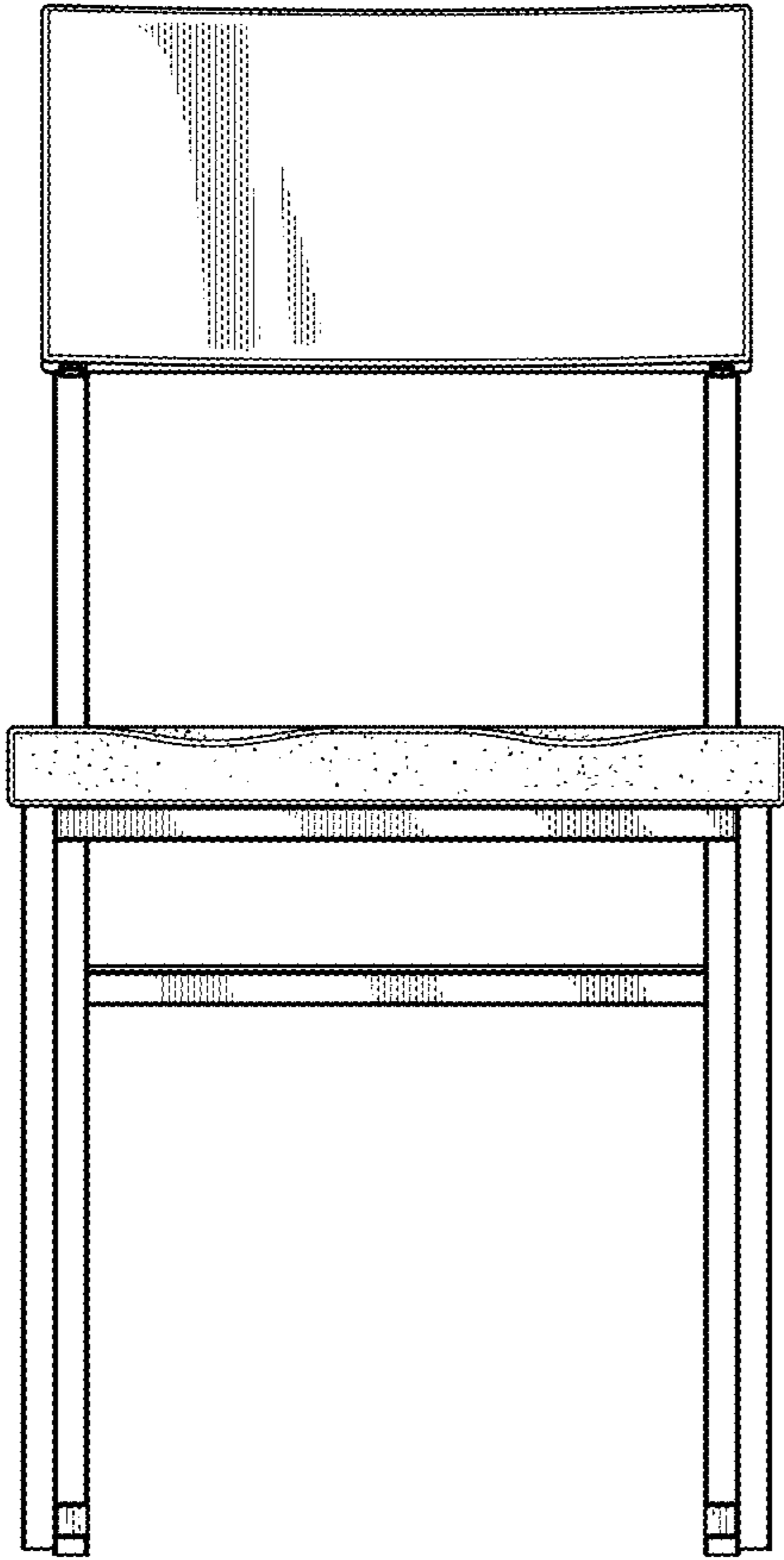


FIG. 9

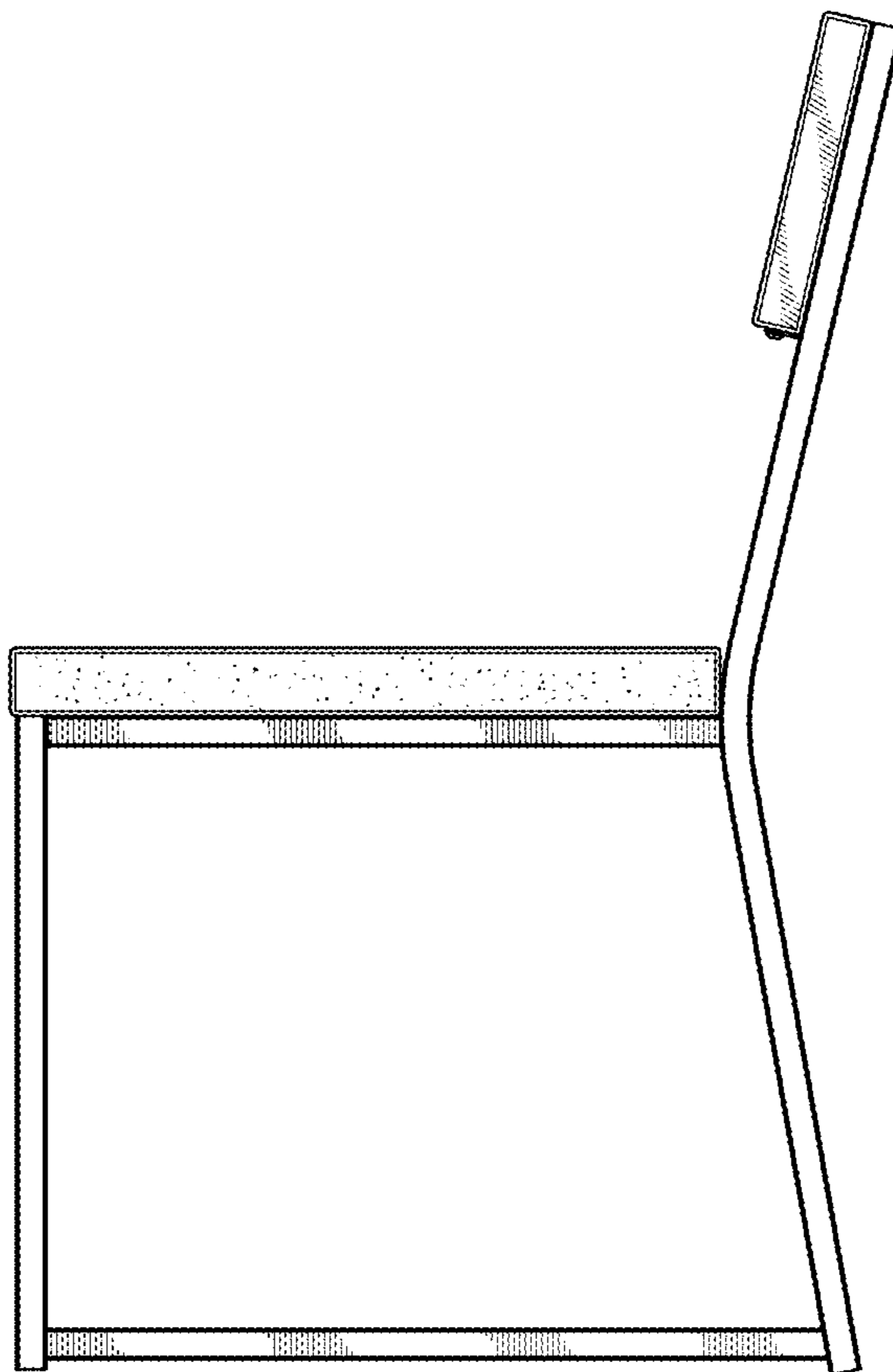


FIG. 10

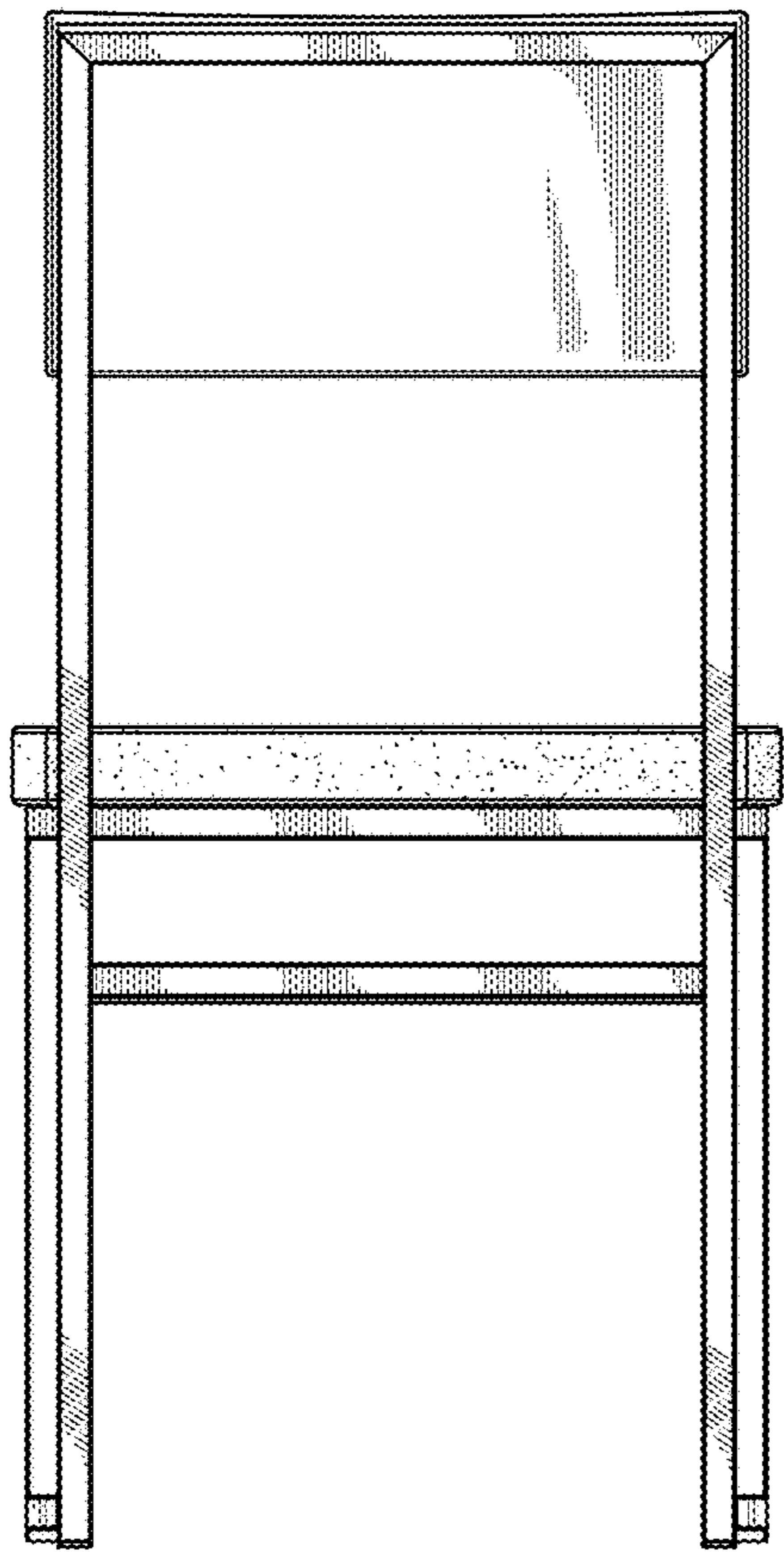


FIG. 11

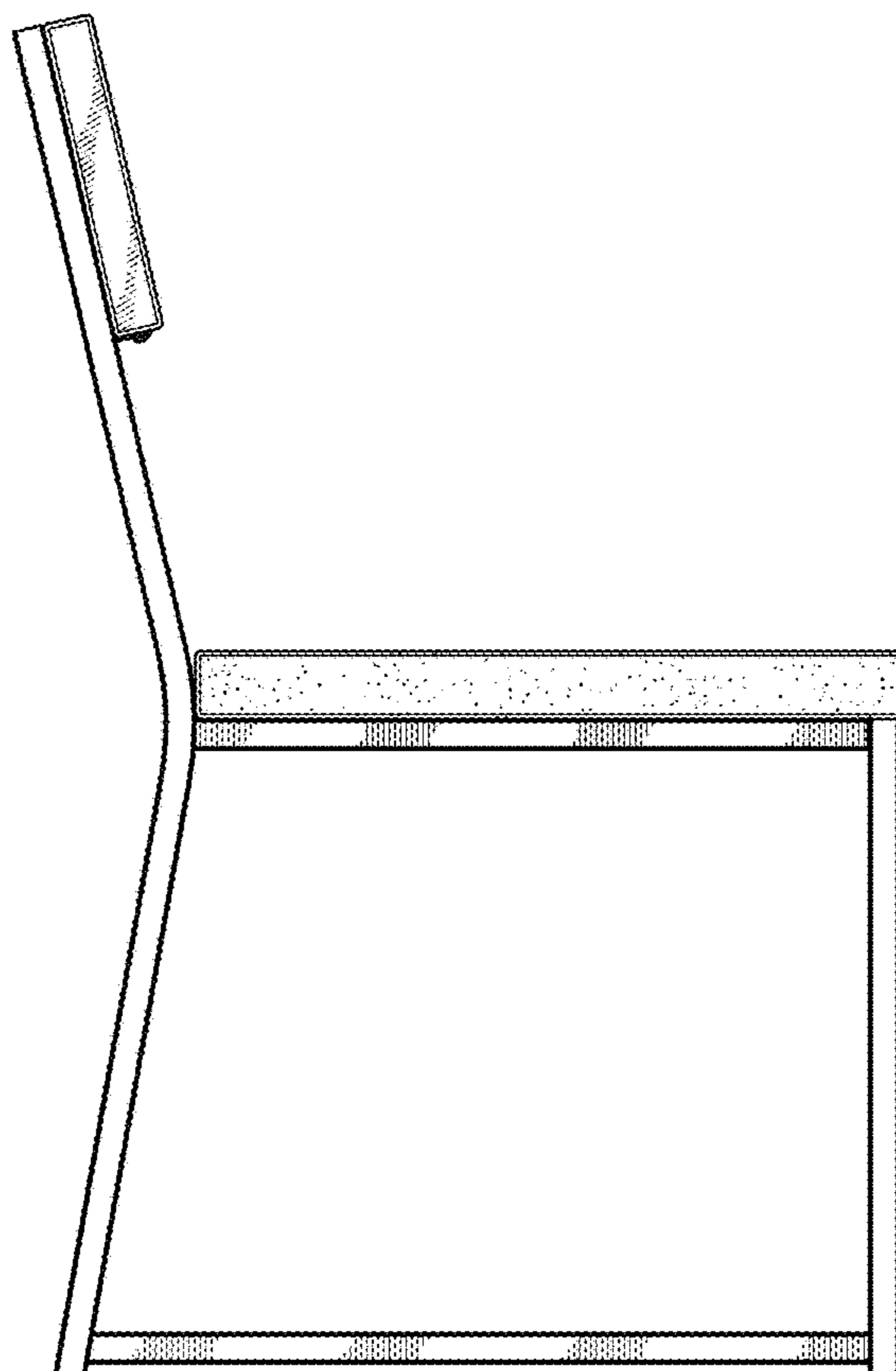


FIG. 12

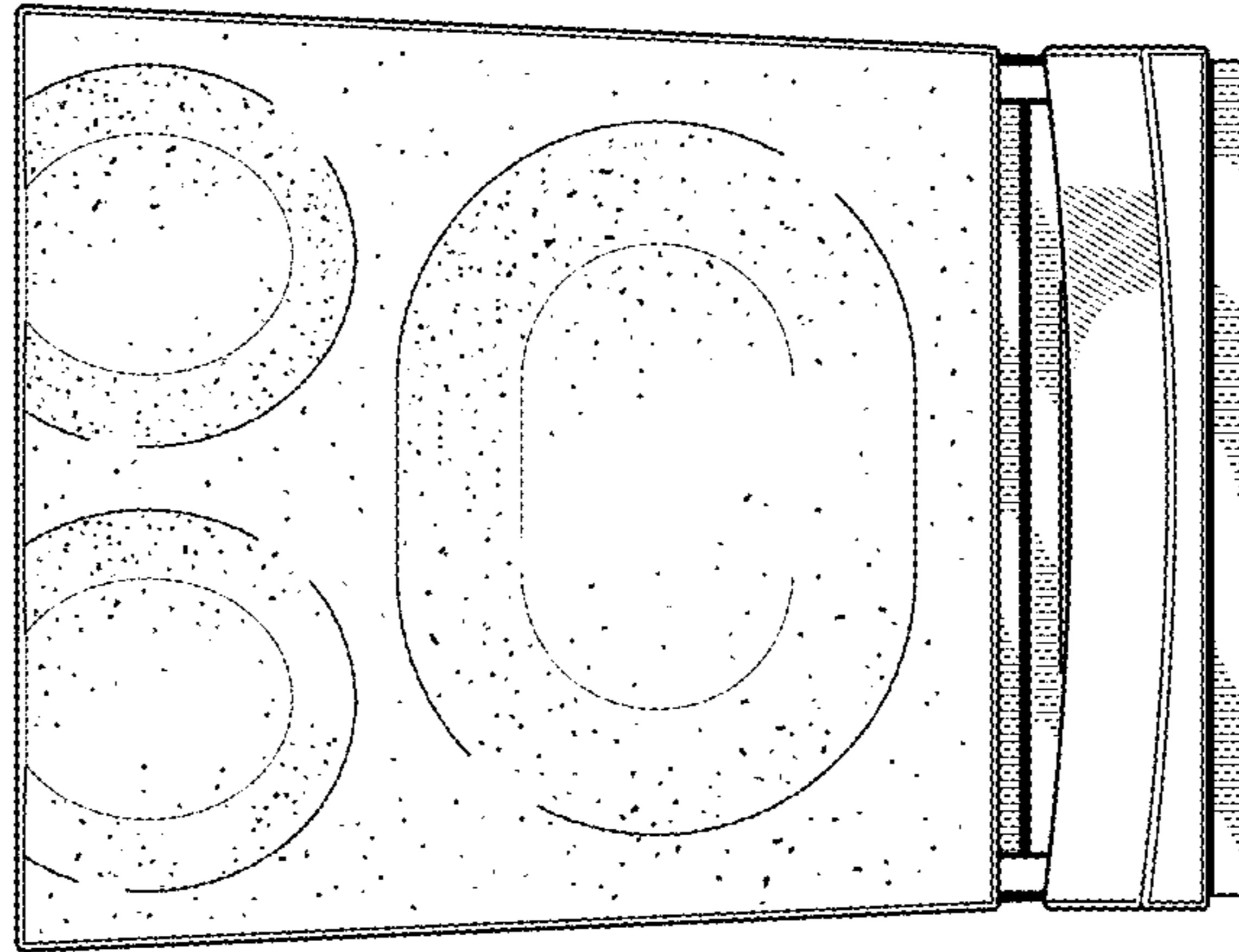


FIG. 13

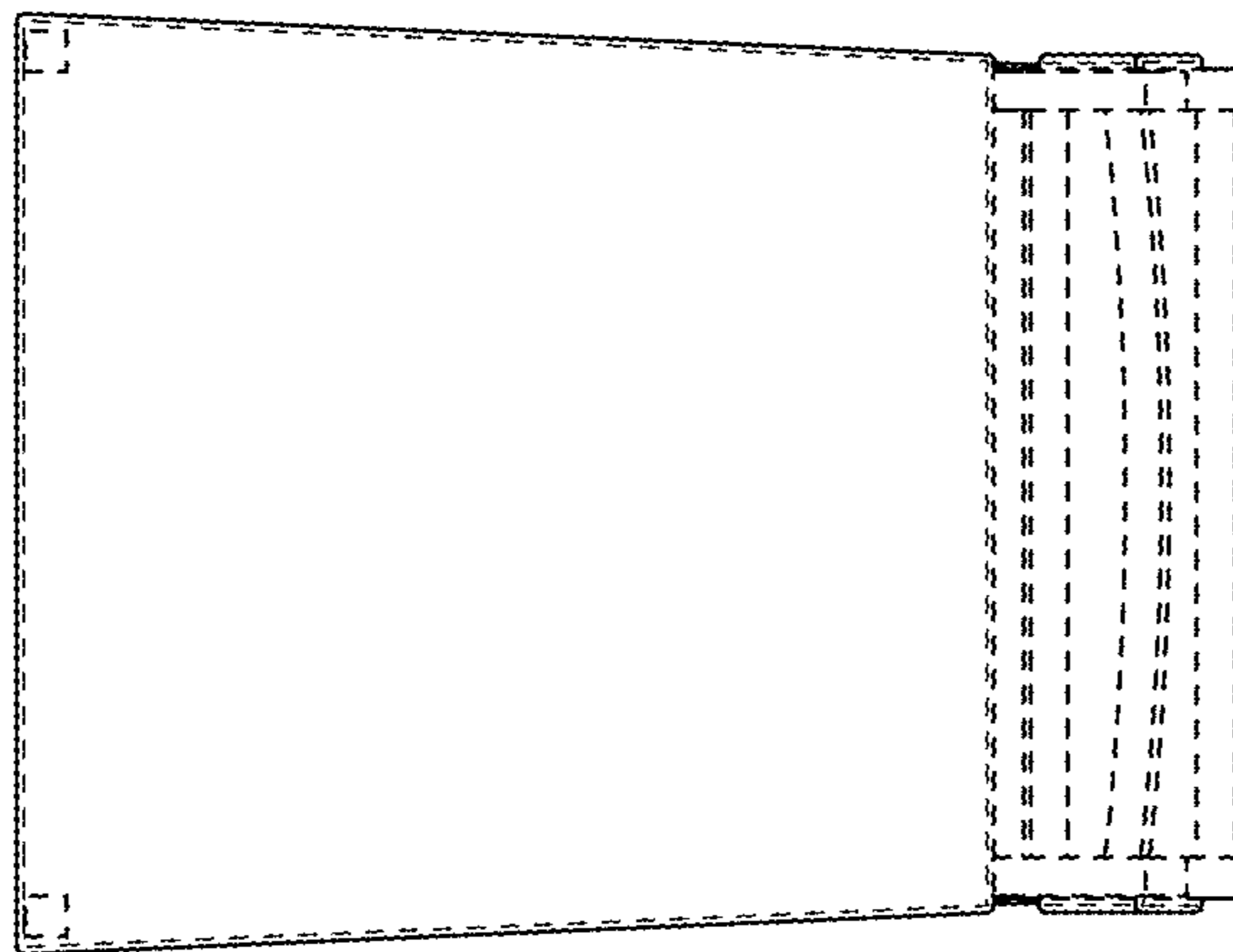


FIG. 14

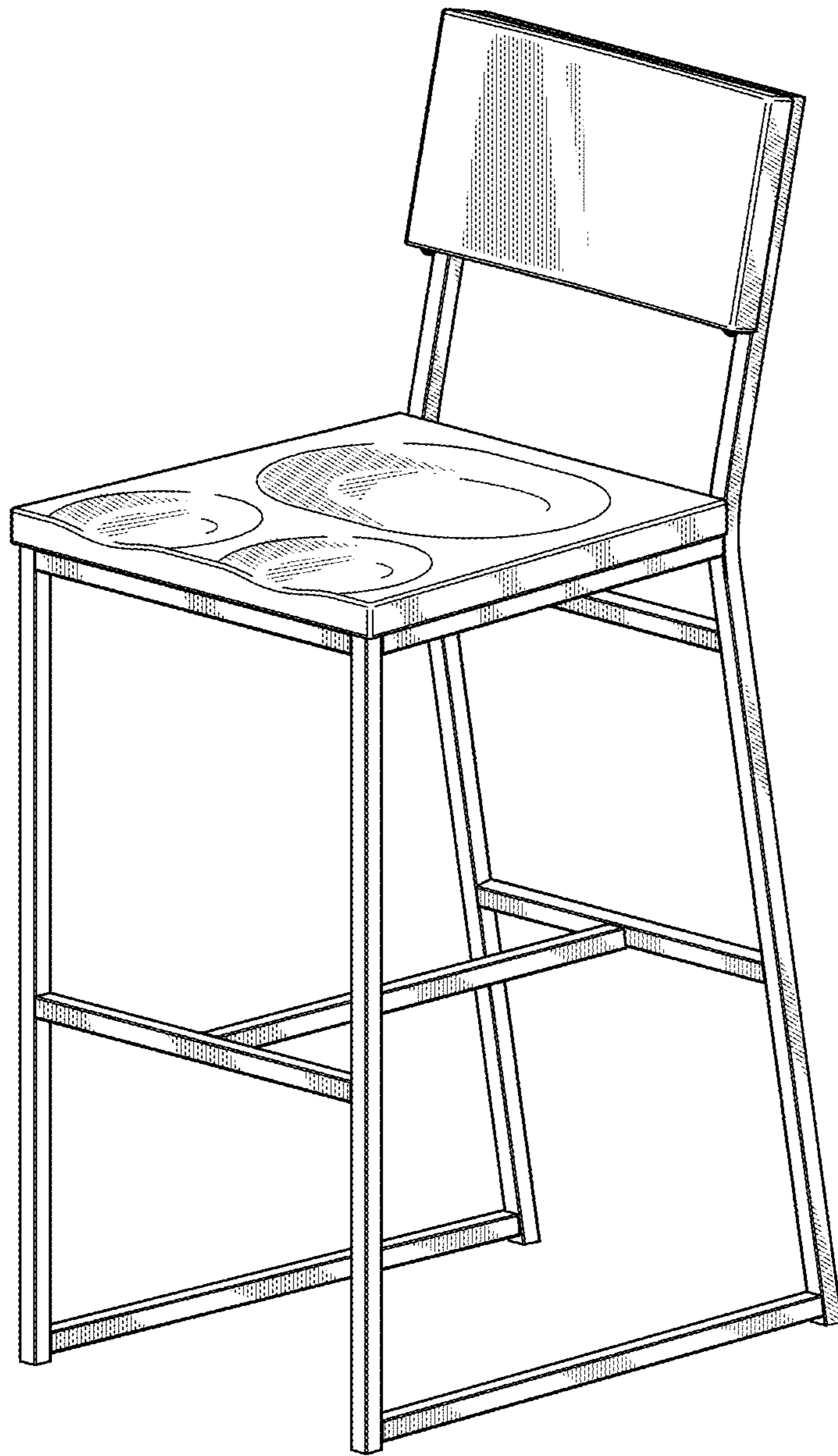


FIG. 15

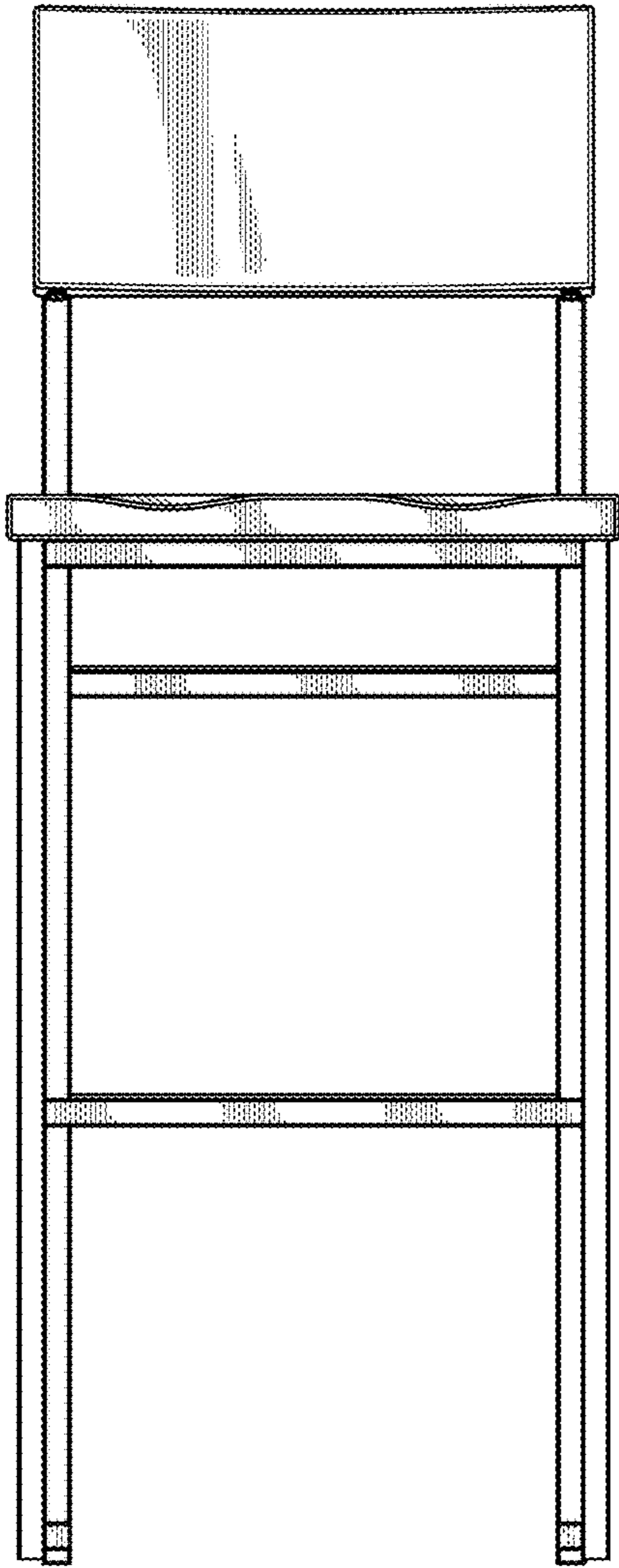


FIG. 16

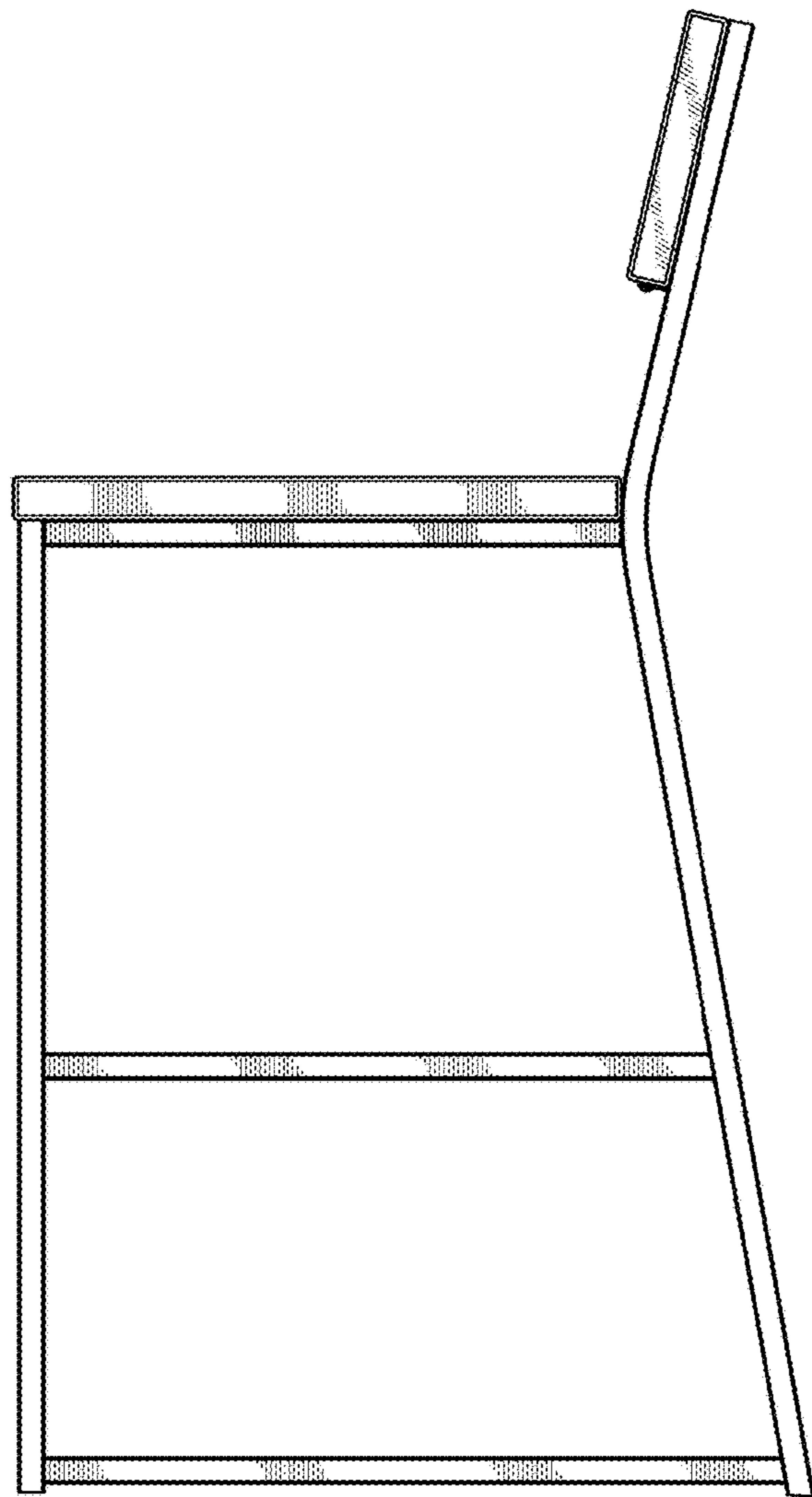


FIG. 17

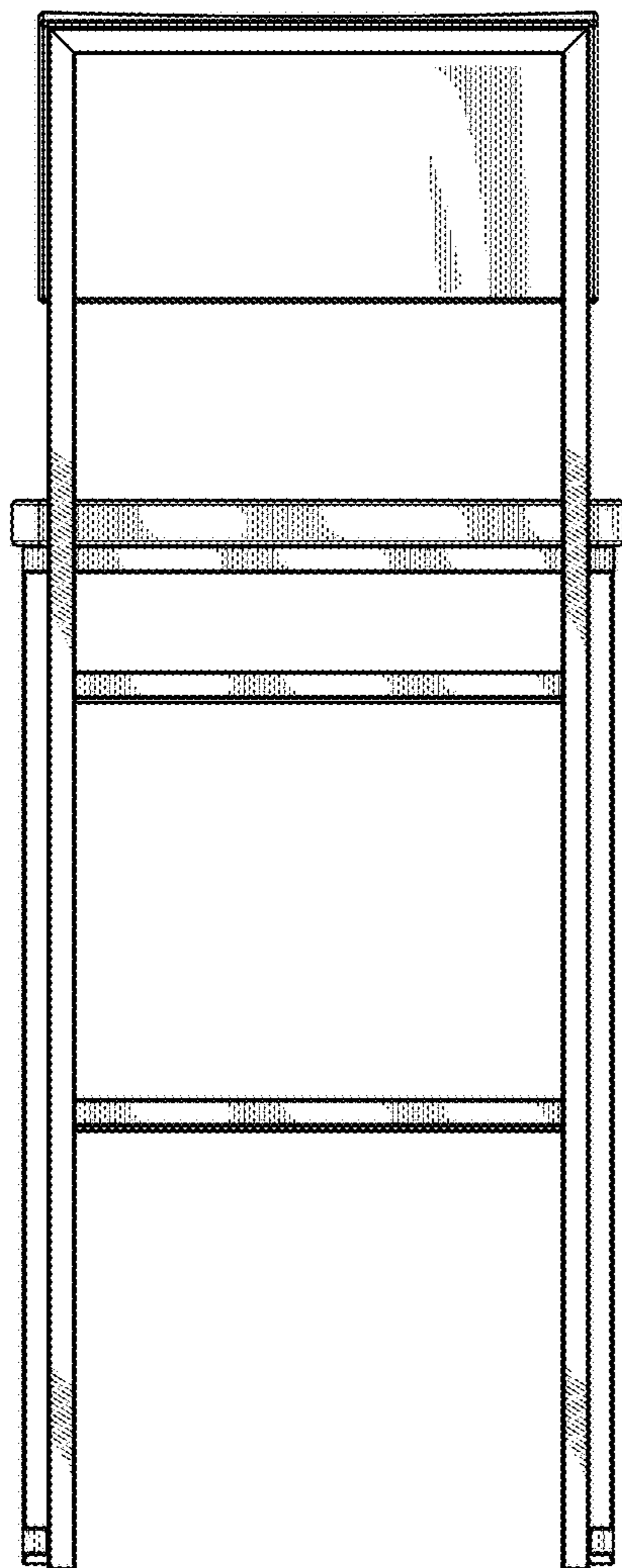


FIG. 18

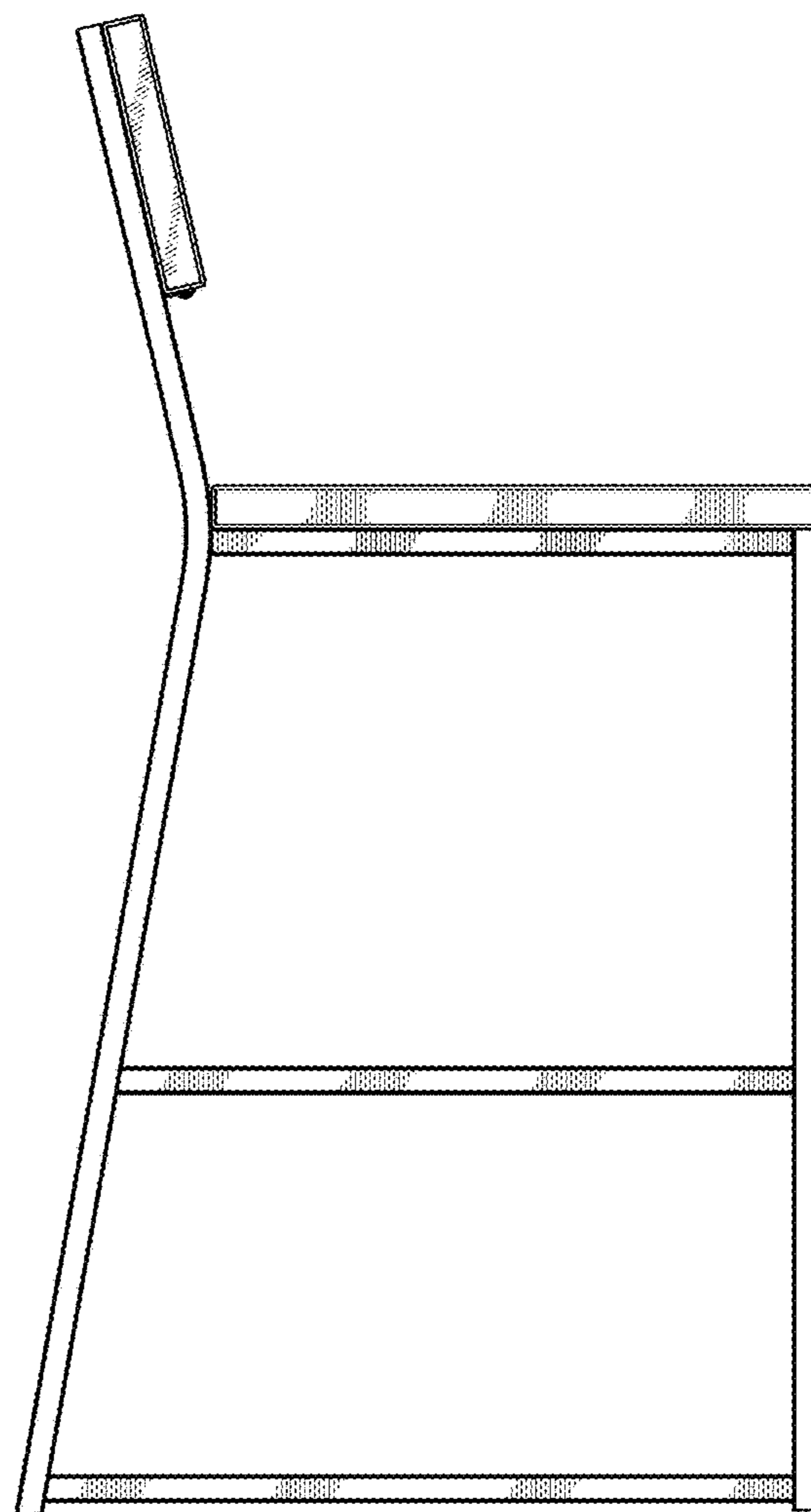


FIG. 19

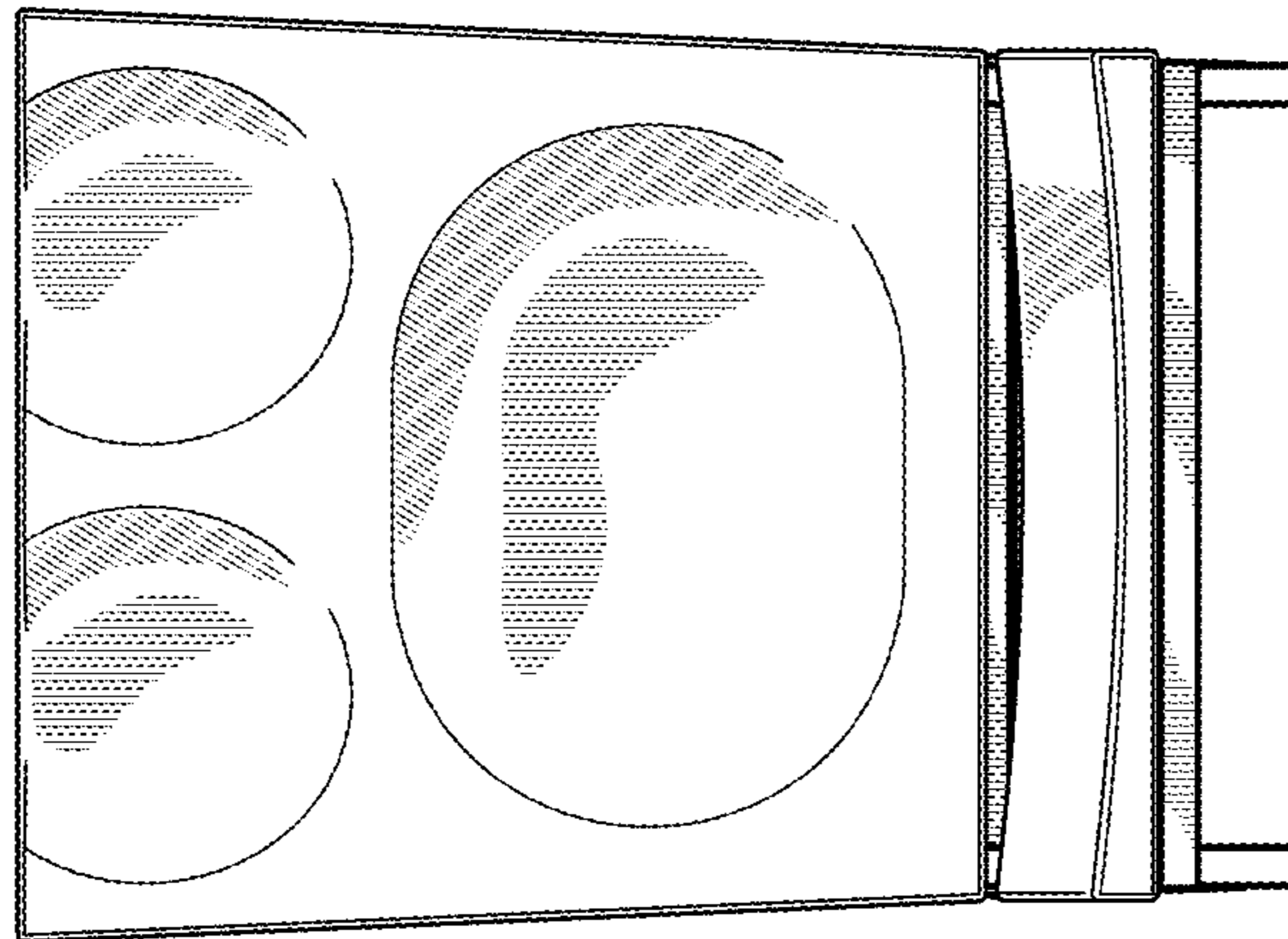


Fig. 20

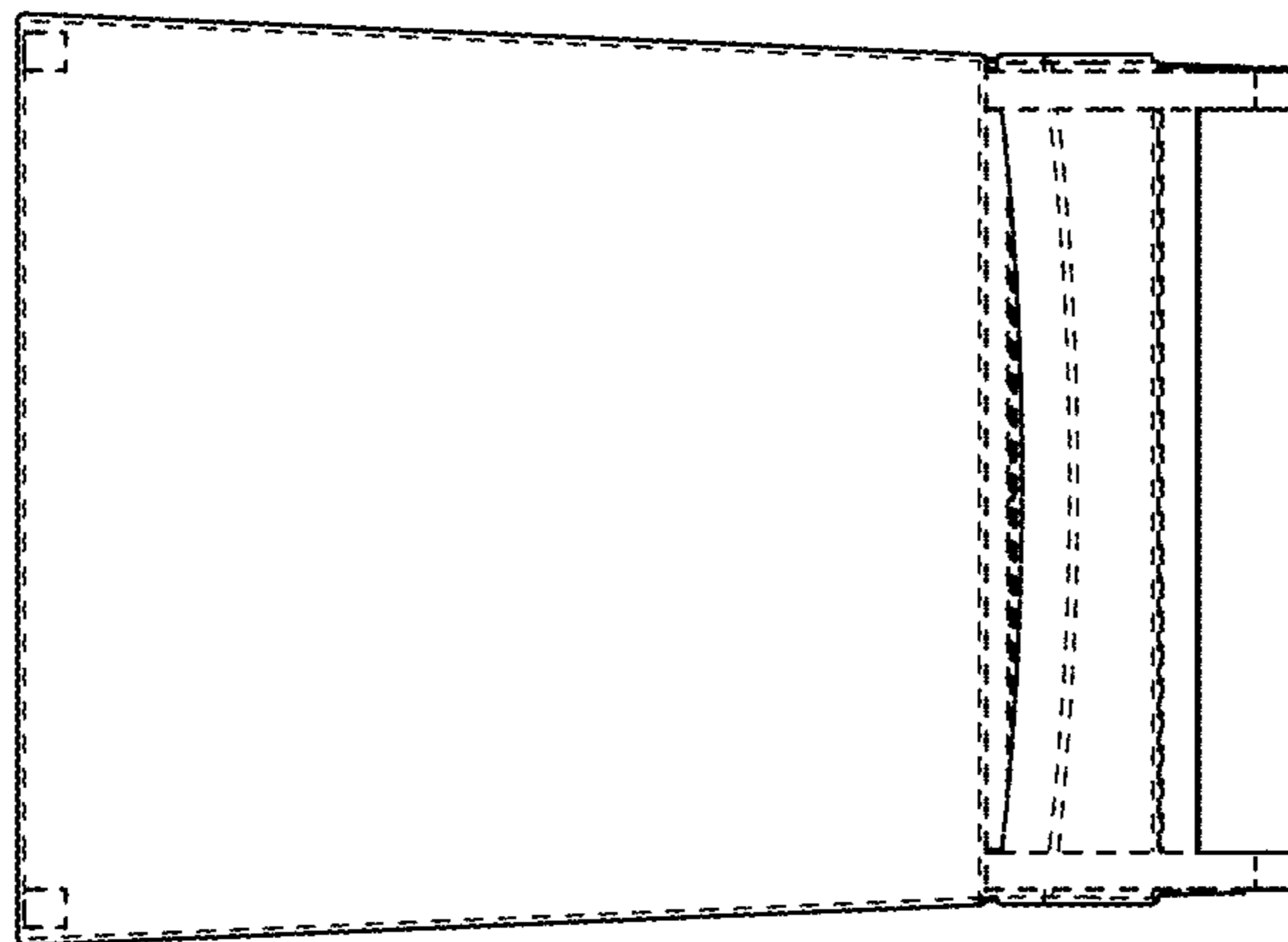


Fig. 21

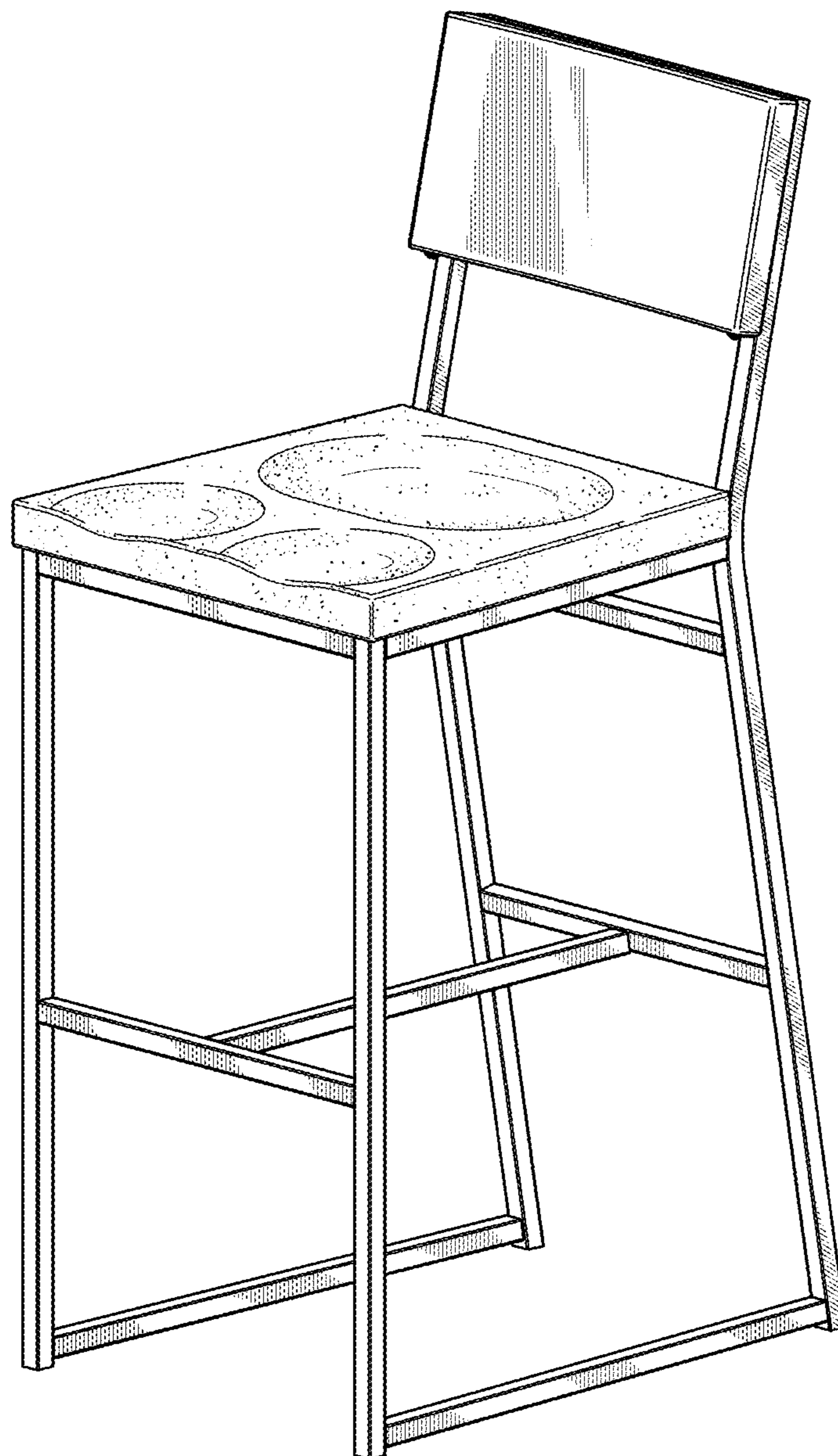


FIG. 22

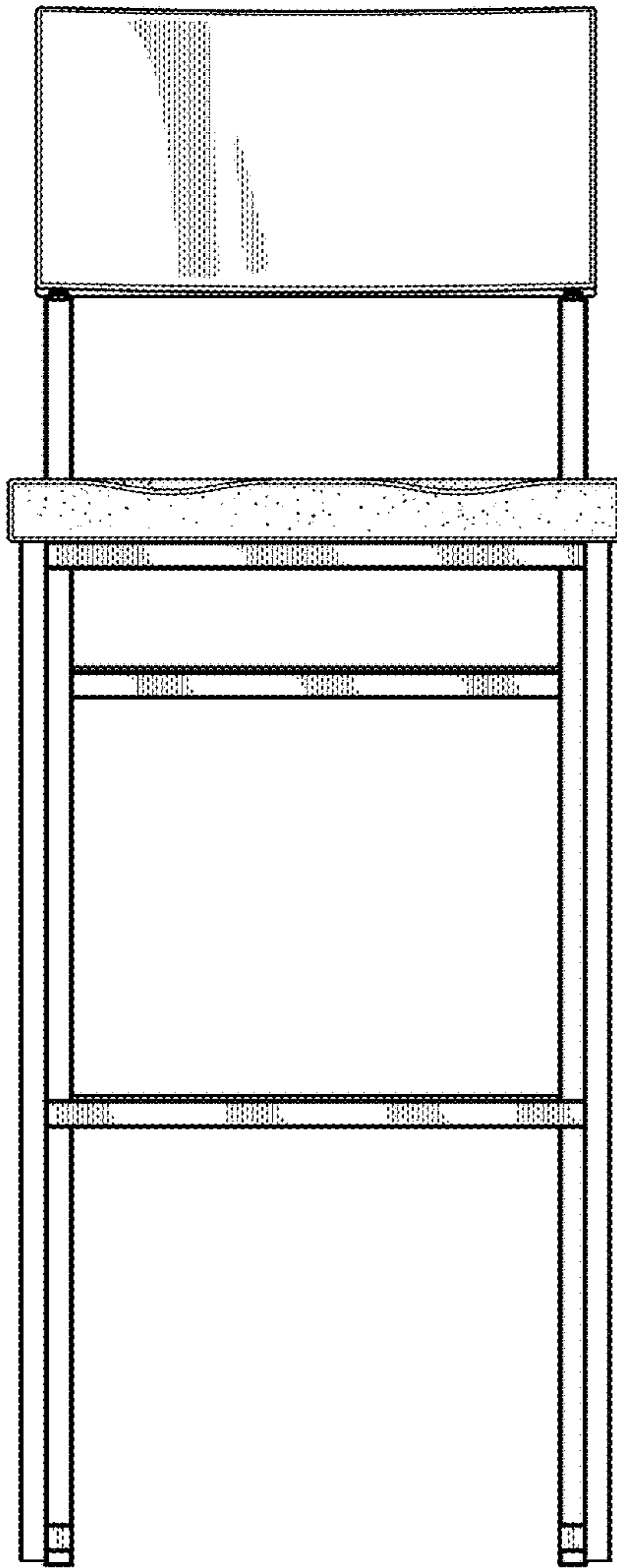


FIG. 23

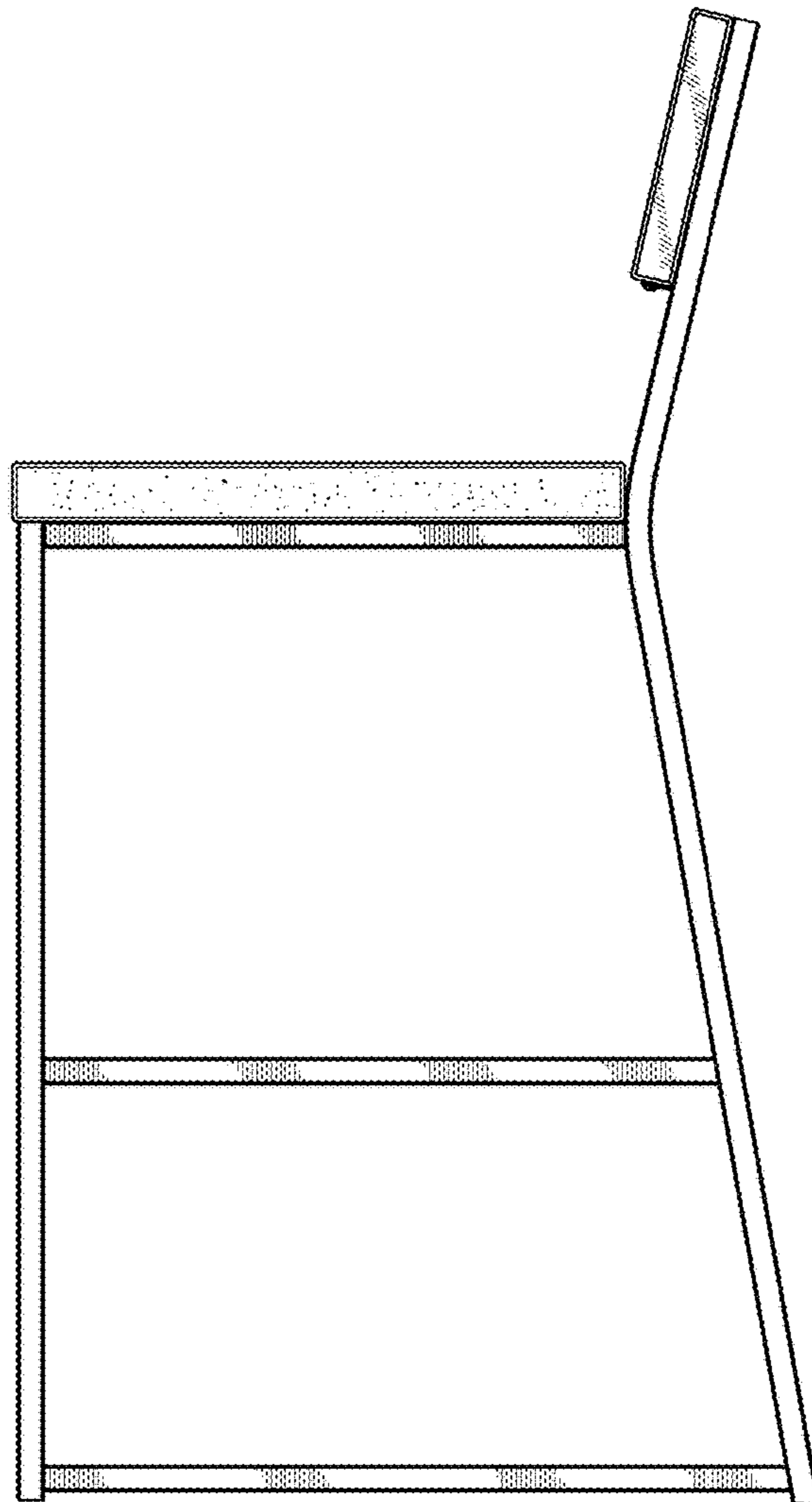


FIG. 24

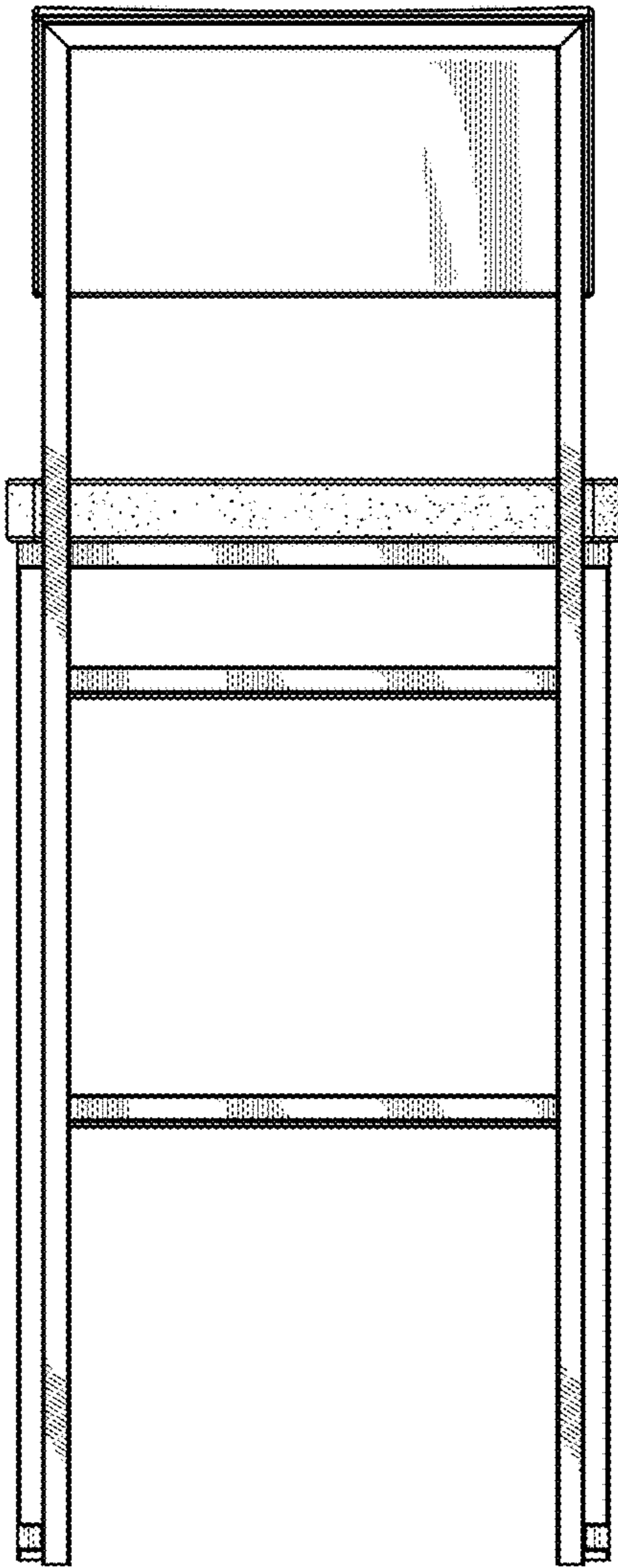


FIG. 25

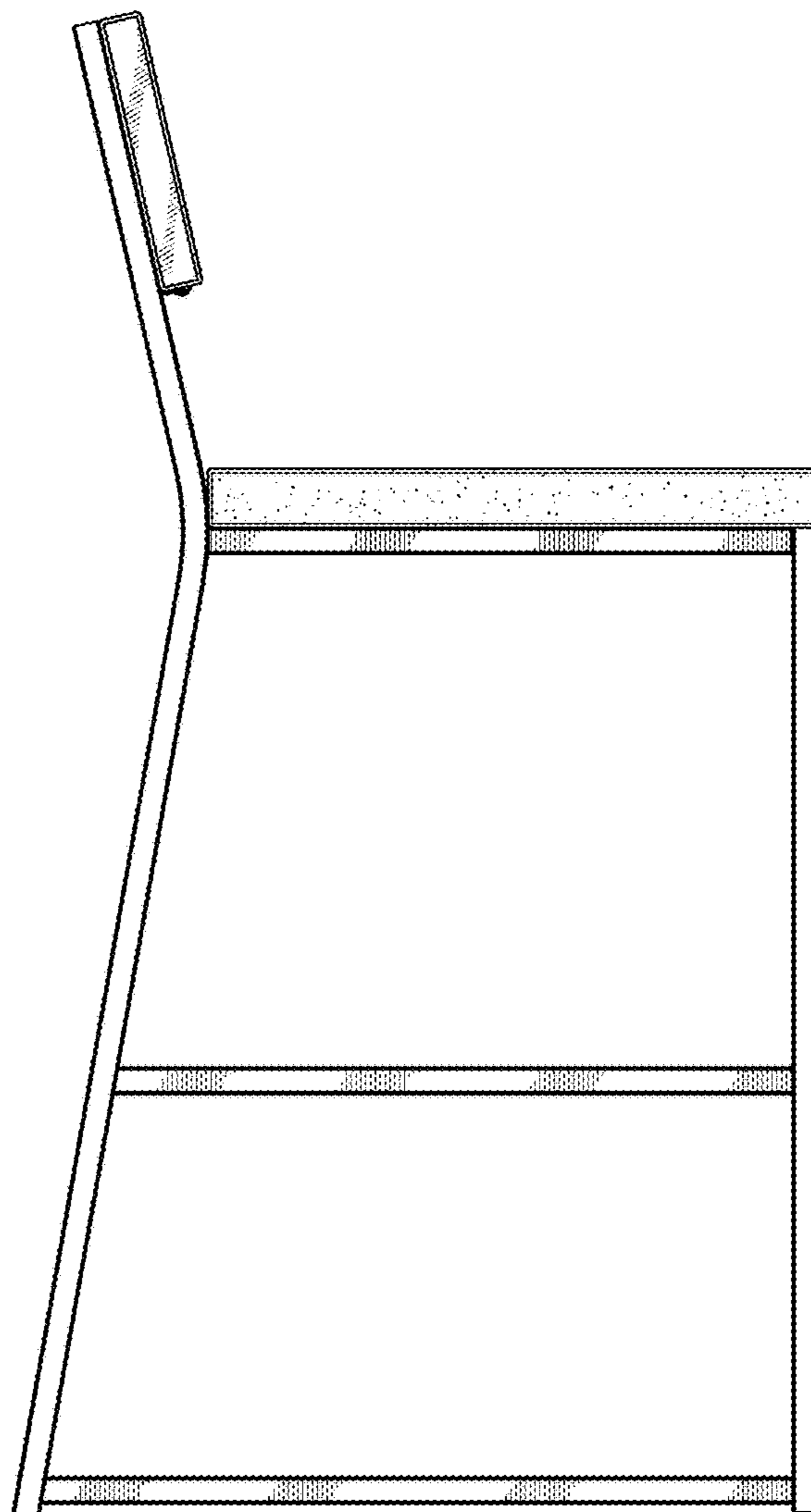


FIG. 26

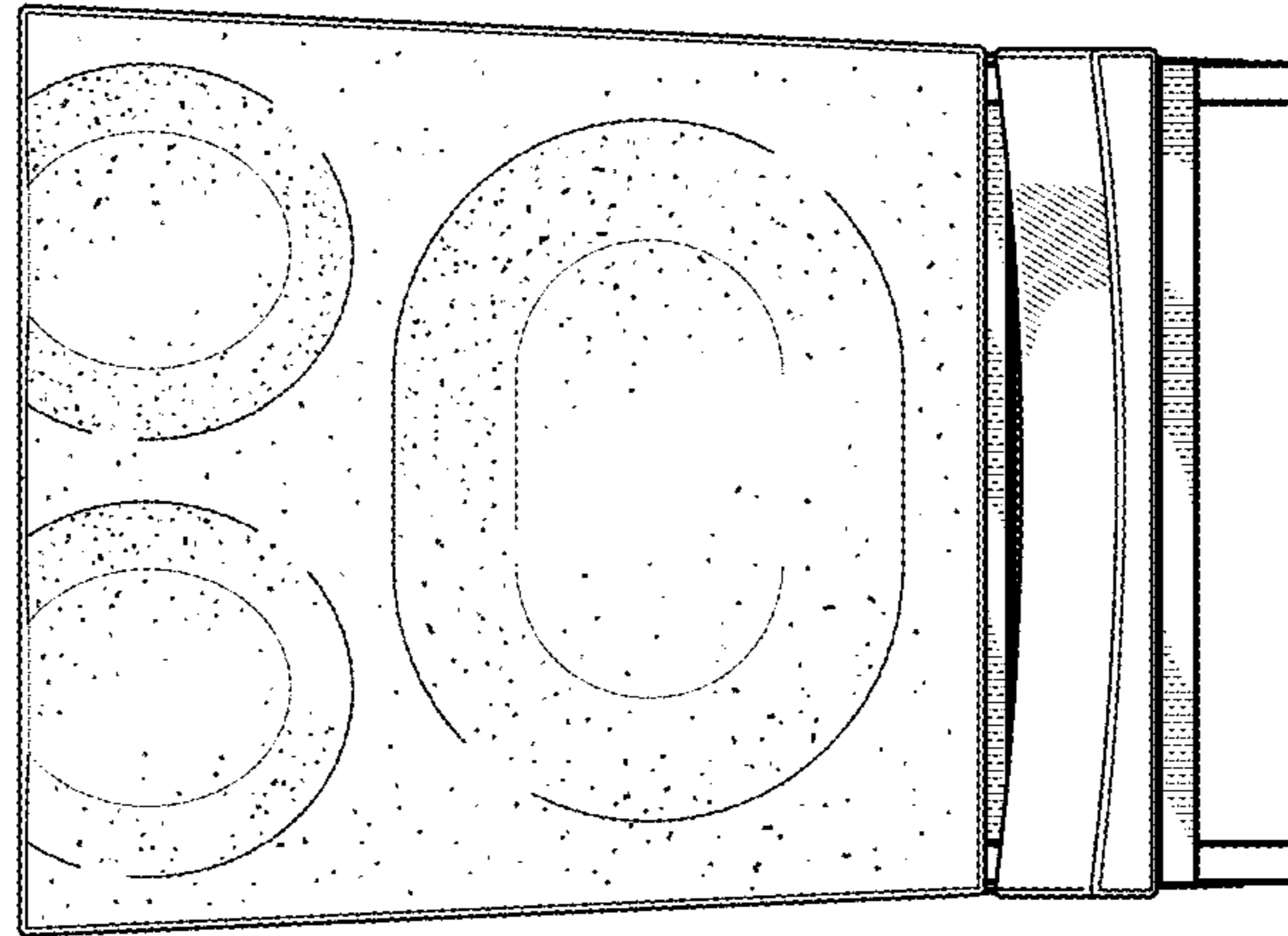


Fig. 27

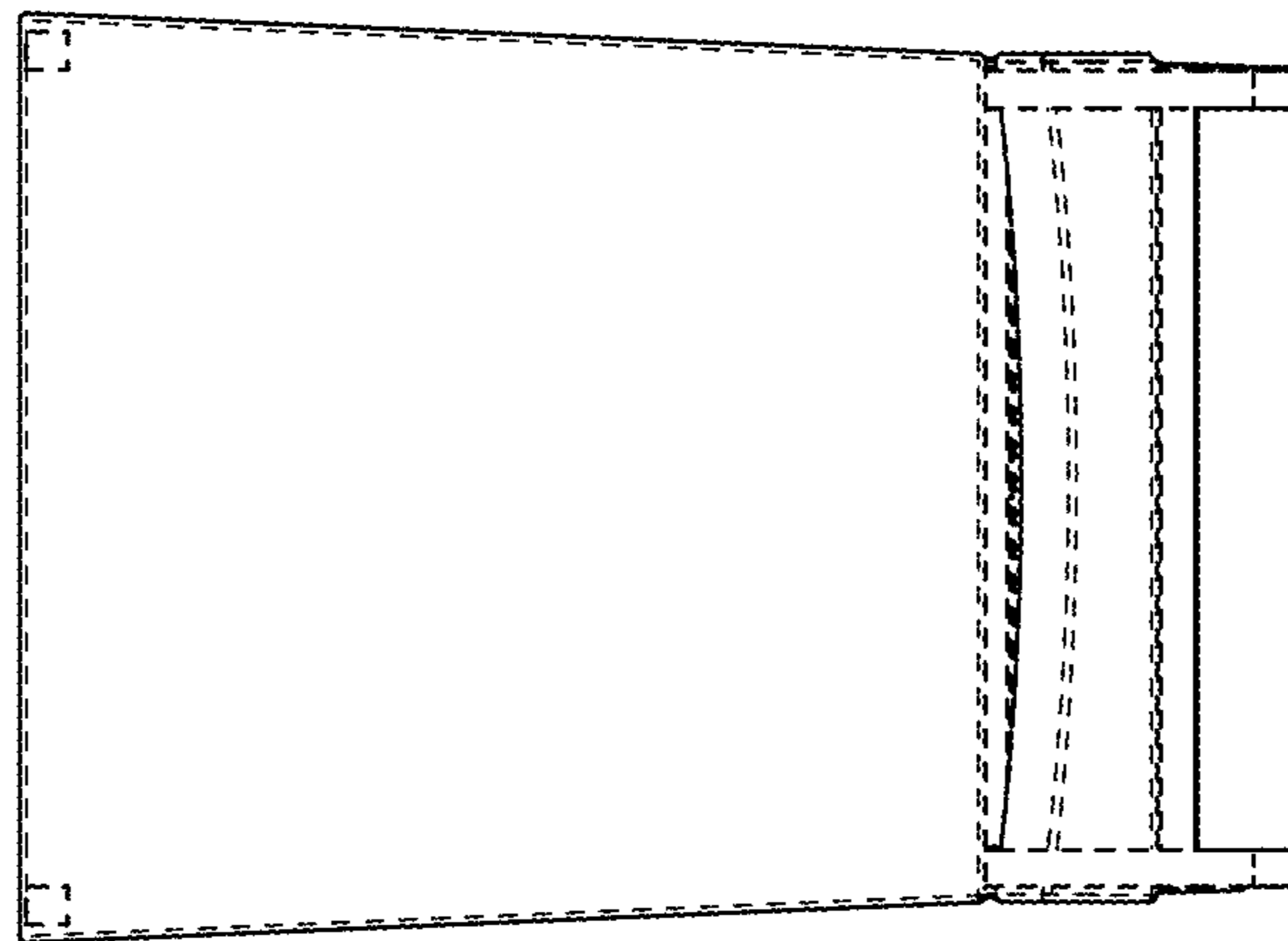


Fig. 28