



US00D779217S

(12) **United States Design Patent** (10) **Patent No.:** **US D779,217 S**
Zhang et al. (45) **Date of Patent:** **** Feb. 21, 2017**

(54) **VANITY MIRROR**

(74) *Attorney, Agent, or Firm* — Stetina Brunda Garred & Brucker

(71) Applicant: **Impressions Vanity Company**, Tustin, CA (US)

(72) Inventors: **Yao Zhang**, Temple City, CA (US);
Dong Choi, Temple City, CA (US)

(57) **CLAIM**

The ornamental design for a vanity mirror, as shown and described.

(73) Assignee: **Impressions Vanity Company**, Tustin, CA (US)

(**) Term: **15 Years**

DESCRIPTION

(21) Appl. No.: **29/541,279**

FIG. 1 is a front perspective view showing a first embodiment of the vanity mirror of the present invention with those features shown in phantom presented for exemplary purposes only;

(22) Filed: **Oct. 1, 2015**

FIG. 2 is a top plan view thereof;

(51) **LOC (10) Cl.** **06-07**

FIG. 3 is a front view thereof;

(52) **U.S. Cl.**

FIG. 4 is a right side view thereof;

USPC **D6/308**

FIG. 5 is a left side view thereof;

(58) **Field of Classification Search**

USPC D6/300–312; D26/56; 40/152.2; 362/135,
362/140–142, 144; 350/600

FIG. 6 is a back view thereof;

(Continued)

FIG. 7 is a bottom view thereof;

(56) **References Cited**

FIG. 8 is a front perspective view showing a second embodiment of the vanity mirror of the present invention with those features shown in phantom presented for exemplary purposes only;

U.S. PATENT DOCUMENTS

FIG. 9 is a top plan view thereof;

RE25,402 E * 6/1963 Myerberg A45D 42/10
362/141

FIG. 10 is a front view thereof;

3,737,646 A * 6/1973 Burrows F21V 33/00
312/224

FIG. 11 is a right side view thereof;

(Continued)

FIG. 12 is a left side view thereof;

OTHER PUBLICATIONS

Hollywood D-luxe Vanity Mirror With Drawers, posted at Amazon.com, posting date Feb. 14, 2015, [online], [site visited Sep. 26, 2016]. Available from Internet, <URL: <https://web.archive.org/web/20150214013449/http://www.amazon.com/Hollywood-D-luxe-Vanity-Drawers-Impressions/dp/B00SNS8Q2U?>>>.*

FIG. 13 is a back view thereof;

FIG. 14 is a bottom view thereof;

FIG. 15 is a front perspective view showing a third embodiment of the vanity mirror of the present invention with those features shown in phantom presented for exemplary purposes only;

FIG. 16 is a top plan view thereof;

FIG. 17 is a front view thereof;

FIG. 18 is a right side view thereof;

FIG. 19 is a left side view thereof;

FIG. 20 is a back view thereof; and,

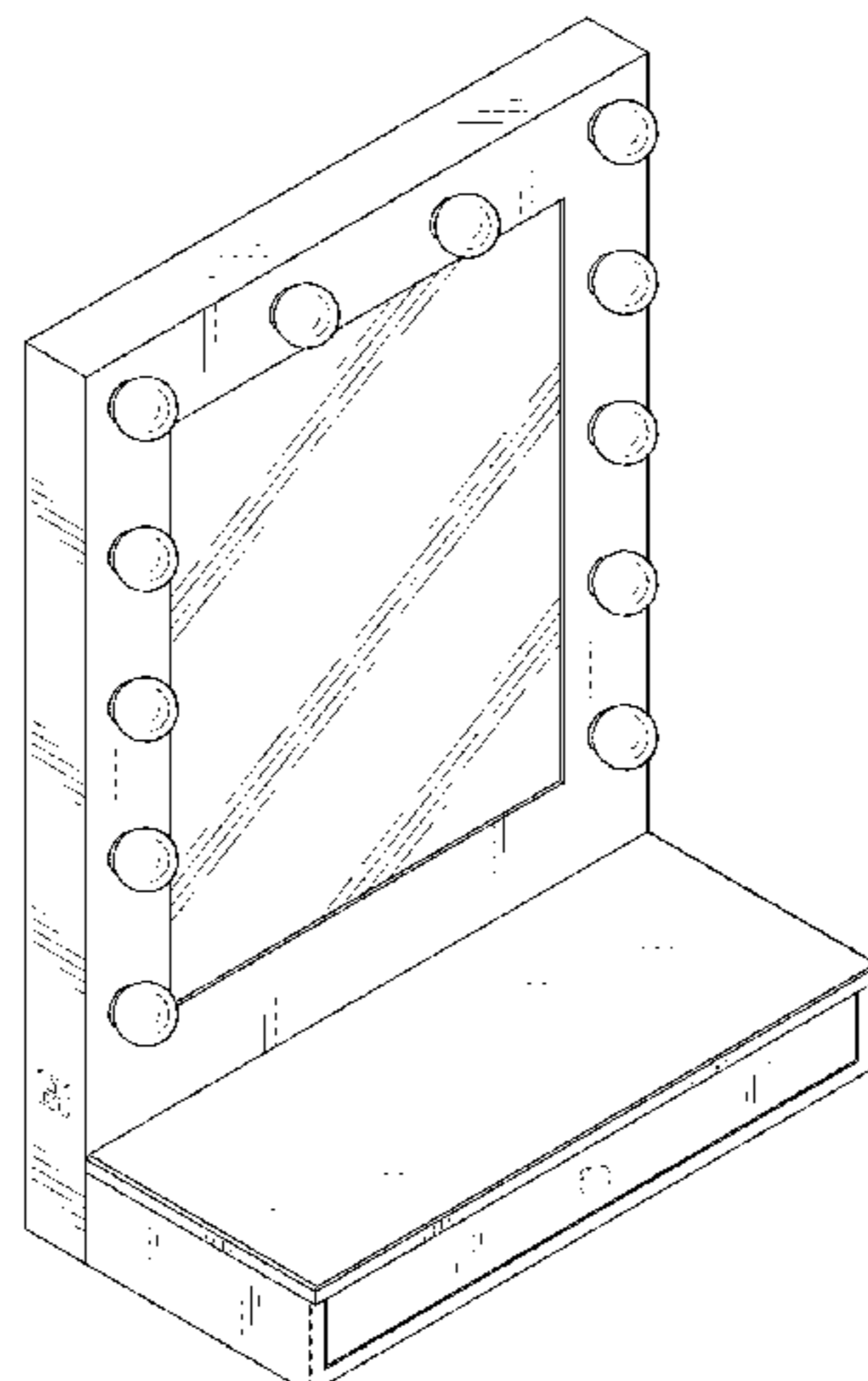
FIG. 21 is a bottom view thereof.

(Continued)

Primary Examiner — Caron D Veynar

1 Claim, 9 Drawing Sheets

Assistant Examiner — Maria Edwards



(58) **Field of Classification Search**

CPC B60J 3/0282; B60J 3/0278; B60J 3/02;
B60J 3/04

See application file for complete search history.

D596,238 S * 7/2009 Huang D20/29
D651,812 S * 1/2012 Lee D14/371
8,727,559 B2 * 5/2014 Boyer A47B 67/005
312/227

(56)

References Cited

U.S. PATENT DOCUMENTS

3,757,103 A * 9/1973 Walter F21V 33/00
362/129
D280,352 S * 8/1985 Ardito D28/64.1
D311,999 S * 11/1990 Ho D6/308
D439,094 S * 3/2001 Melillo D6/561
D446,027 S * 8/2001 LeFevre D6/300
D464,206 S * 10/2002 Moncourtois D6/308
6,533,433 B1 * 3/2003 Stark A47G 1/24
362/135
D497,485 S * 10/2004 Resultan D6/300
D524,059 S * 7/2006 Mohundro D6/300
D577,075 S * 9/2008 Bode D20/21

OTHER PUBLICATIONS

Impressions Vanity Hollywood Vogue Vanity Mirror, posted at
impressionsvanity.com, posting date not given, [online], [site visited
Sep. 26, 2016]. Available from Internet, <URL: <https://impressionsvanity.com/shop/hollywood-vogue-vanity-mirror/>>.*

Hollywood Tabletop Mirror with Drawer TM-150, posted at
grandmirrors.com, posting date not given, [online], [site visited Sep.
26, 2016]. Available from Internet, <URL: <http://www.grandmirrors.com/tm-150>>.*

* cited by examiner

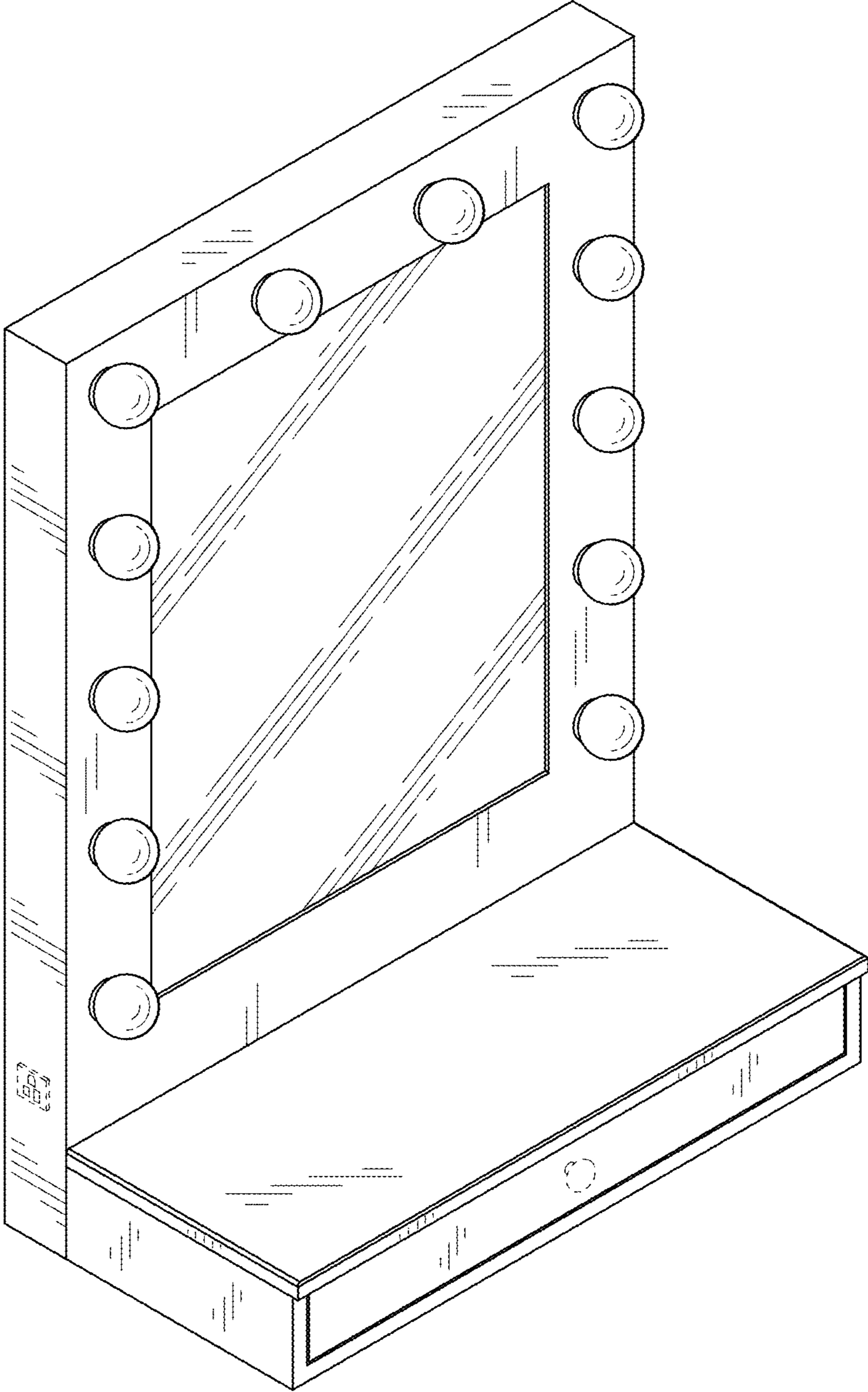


FIG. 1

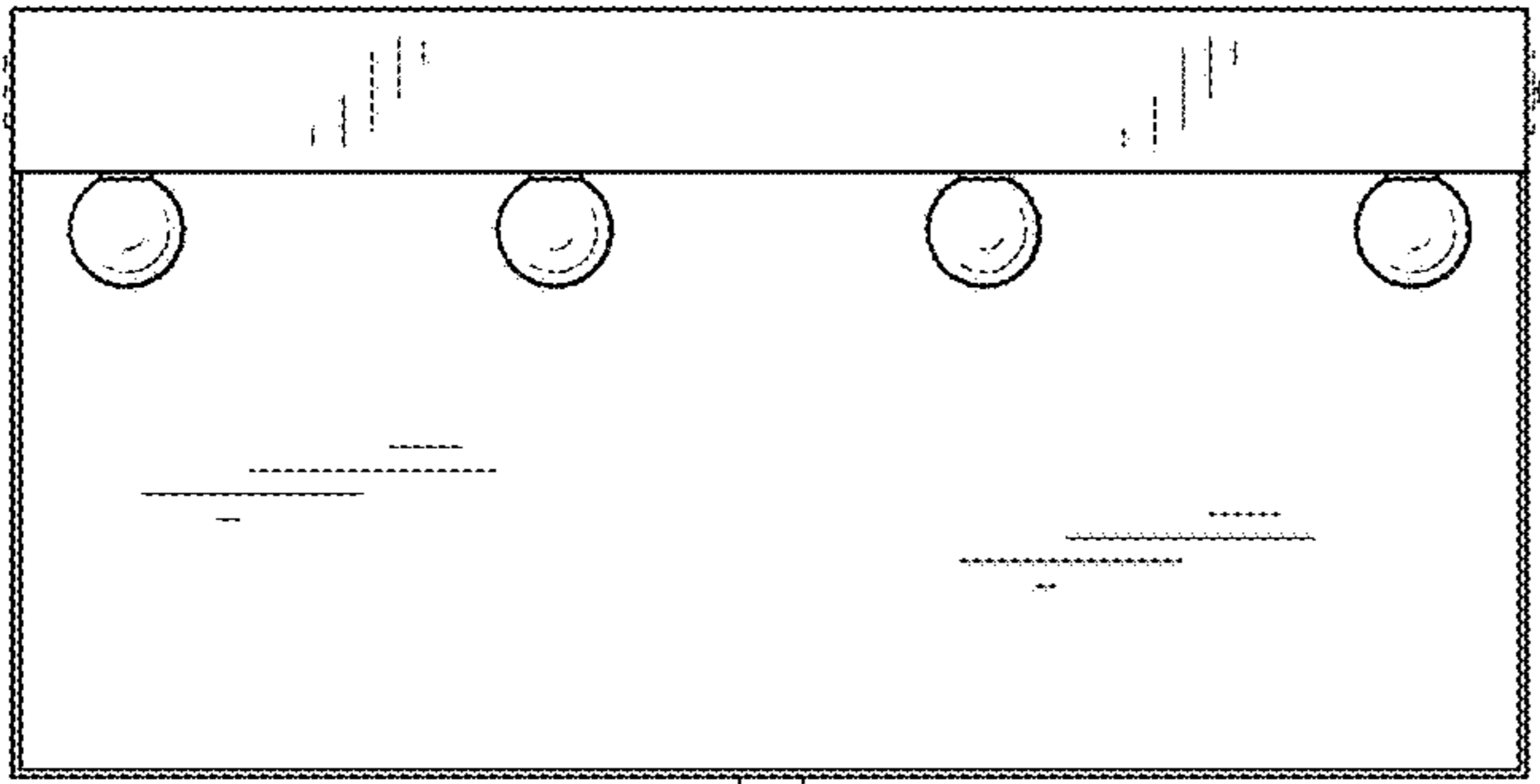


FIG. 2

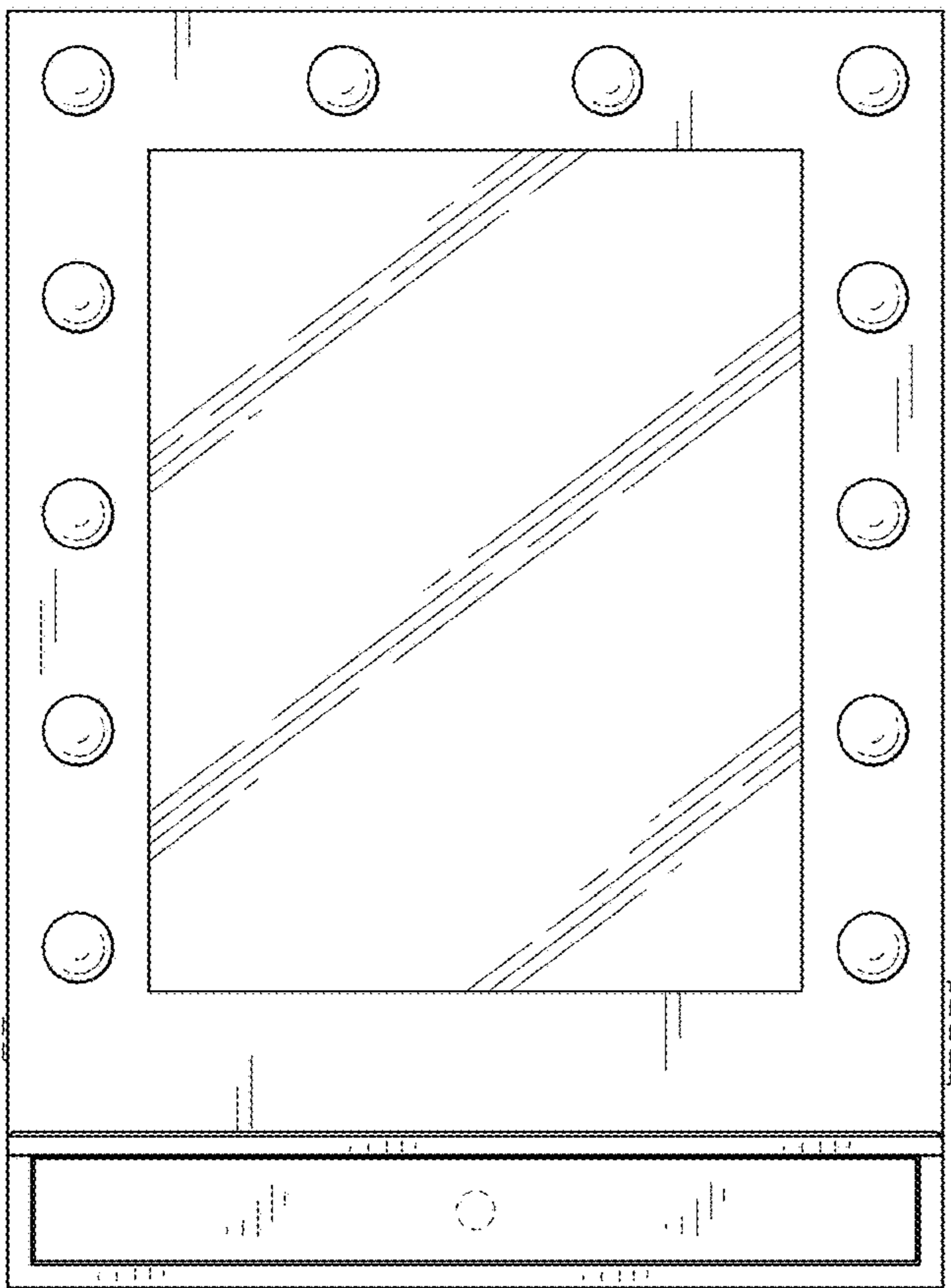


FIG. 3

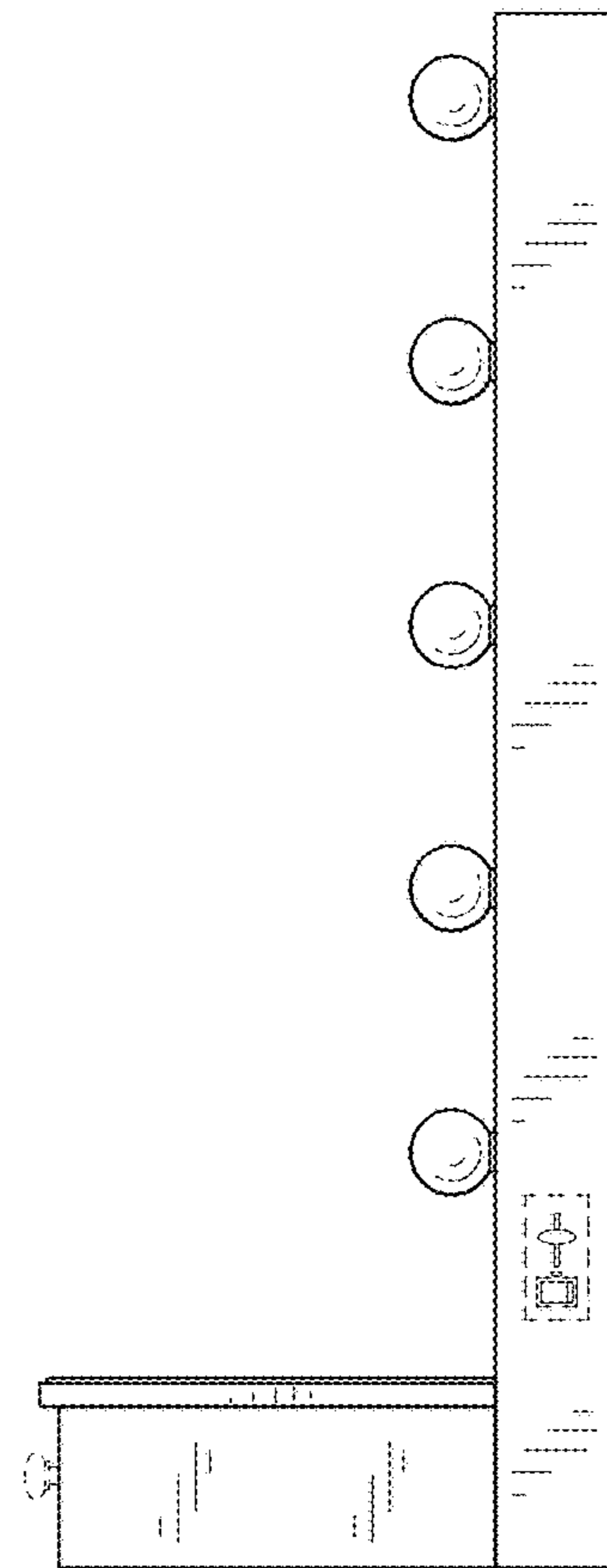


FIG. 4

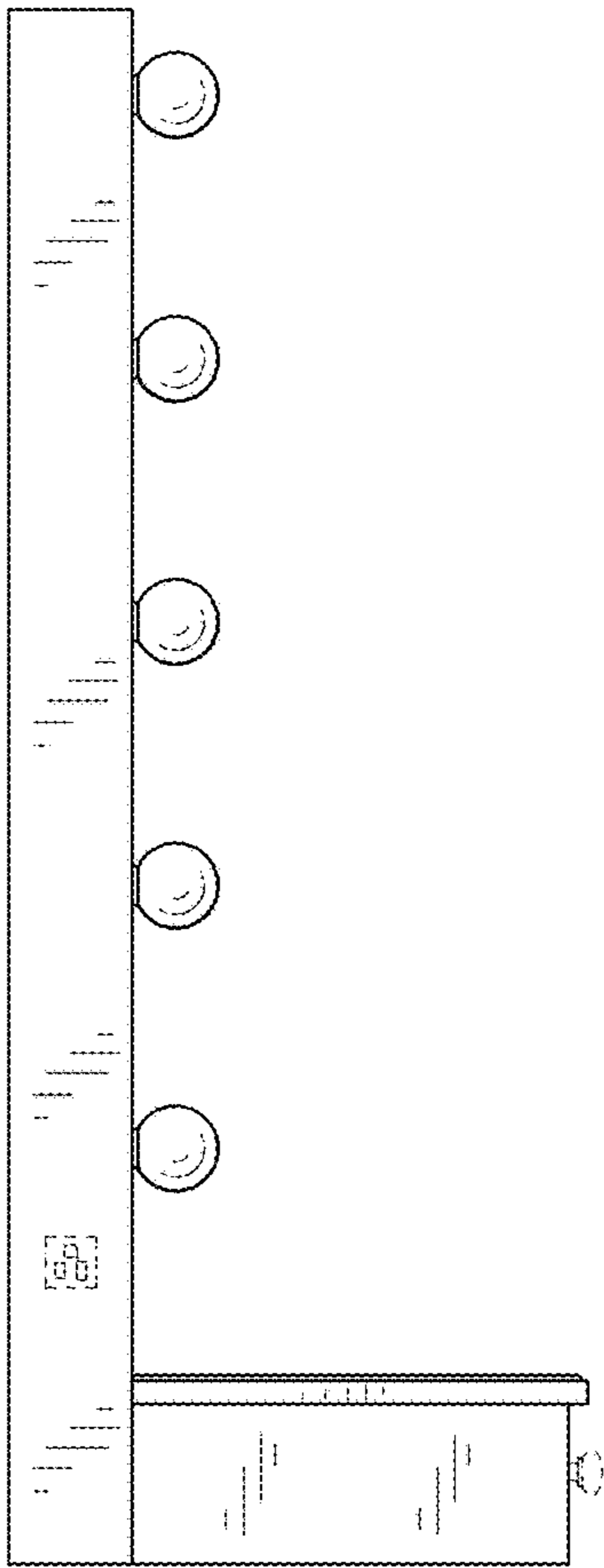


FIG. 5



FIG. 6

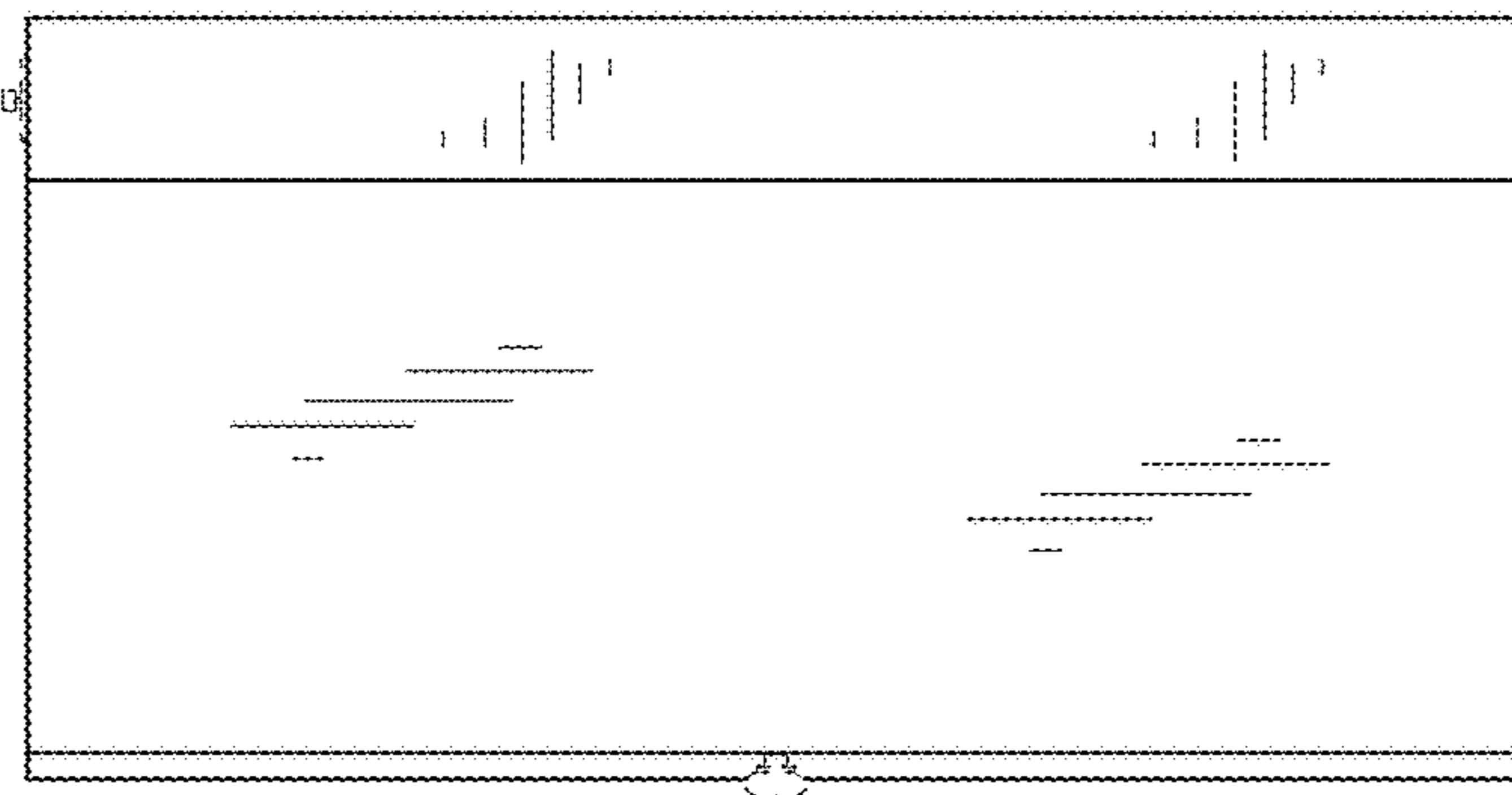


FIG. 7

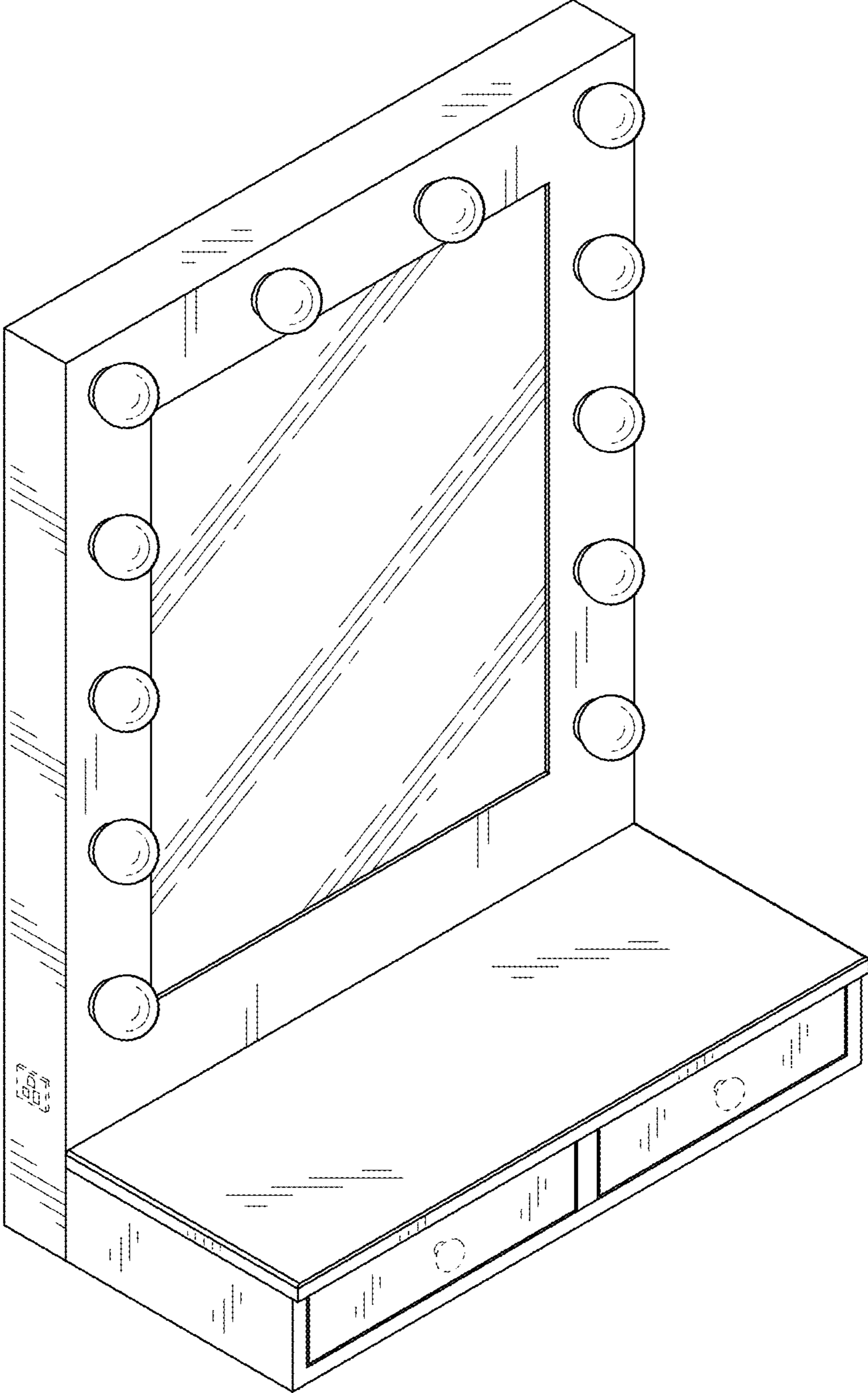


FIG. 8

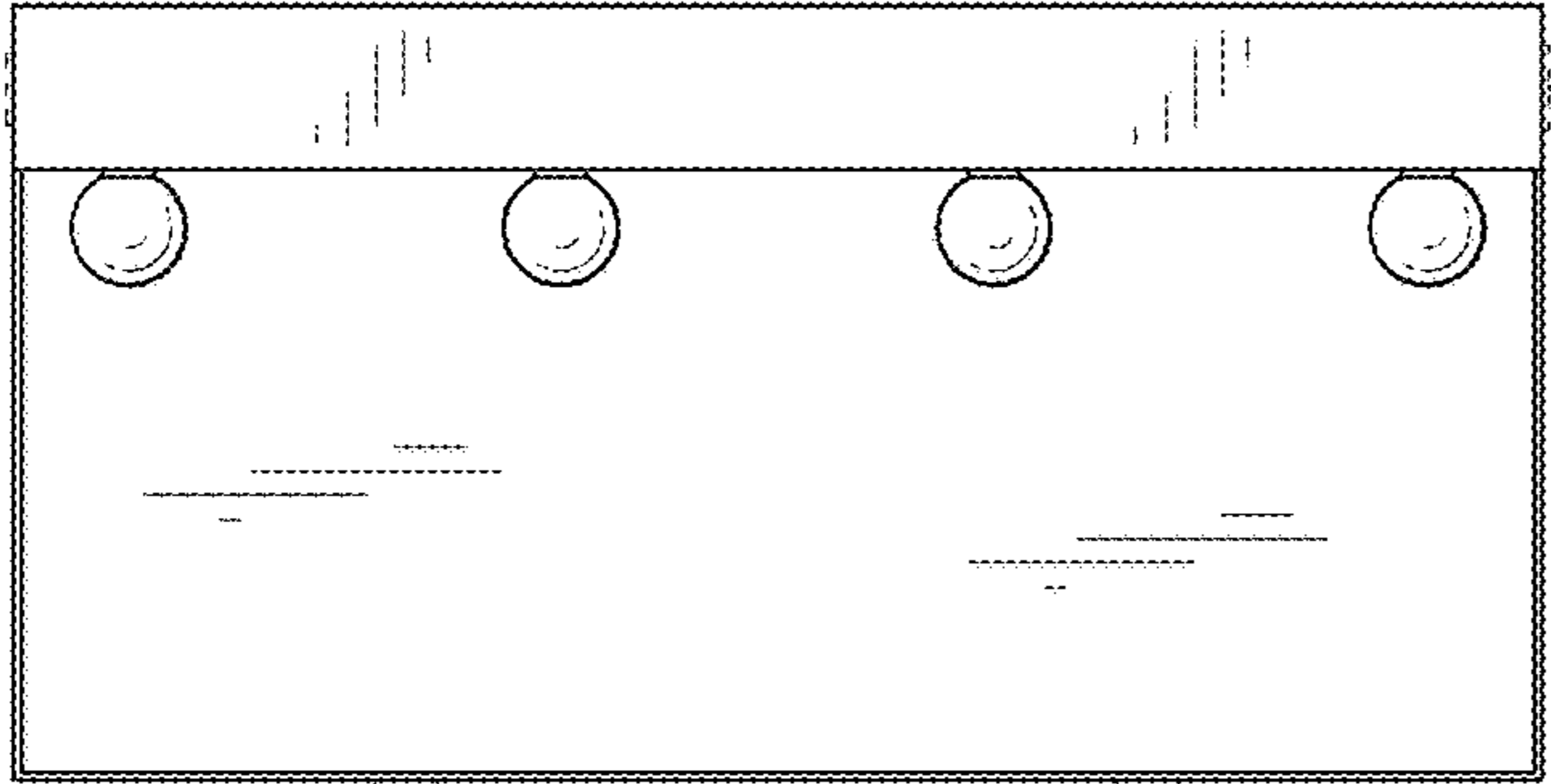


FIG. 9

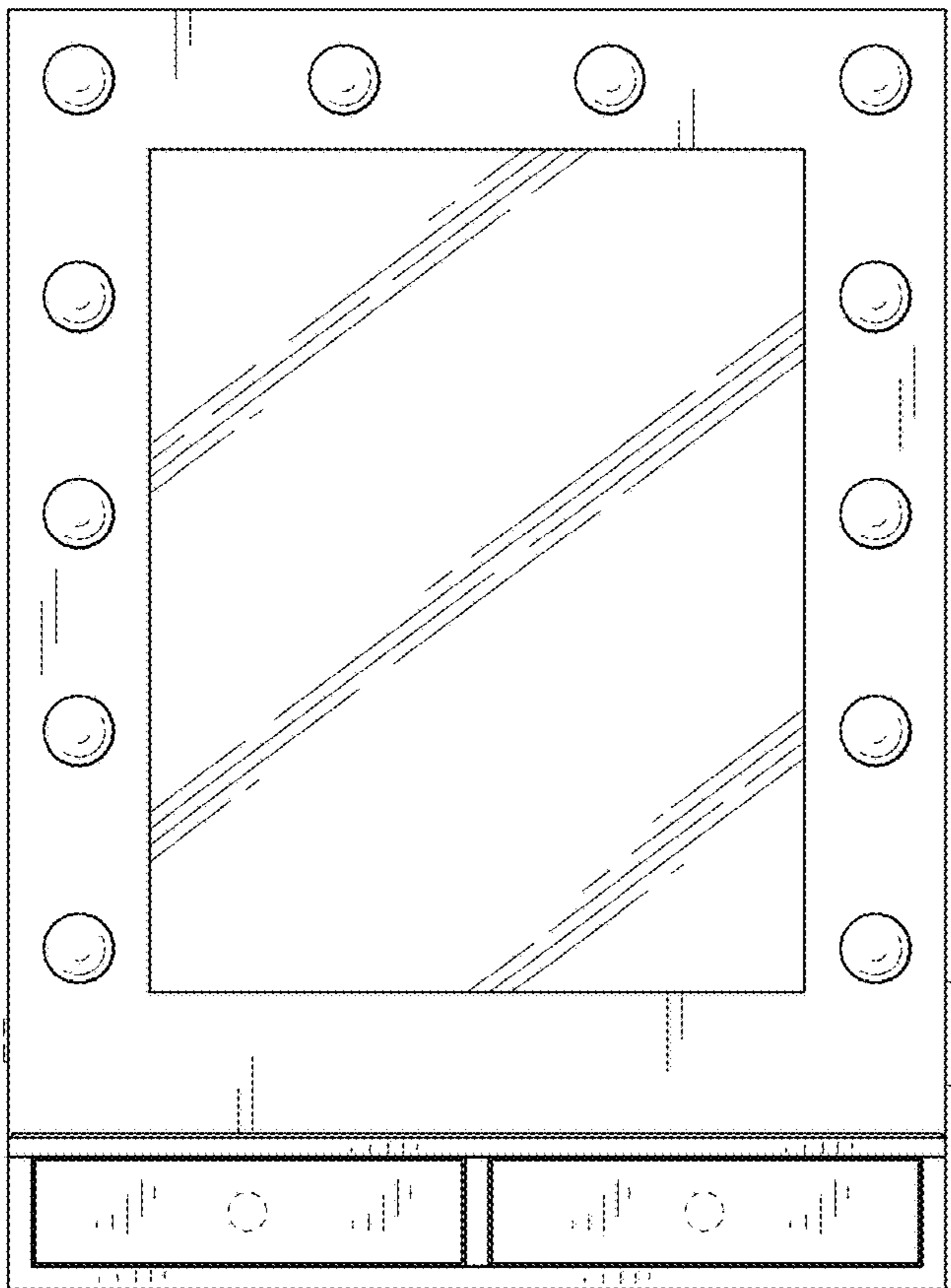


FIG. 10

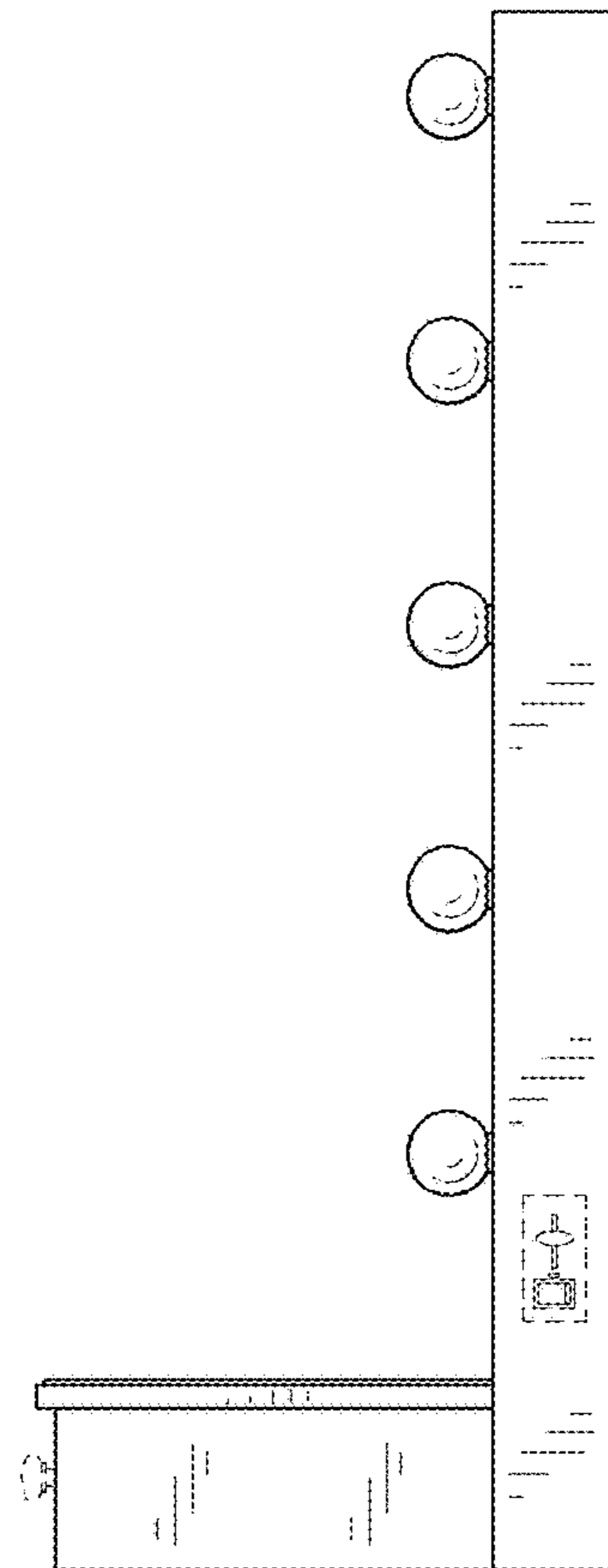


FIG. 11

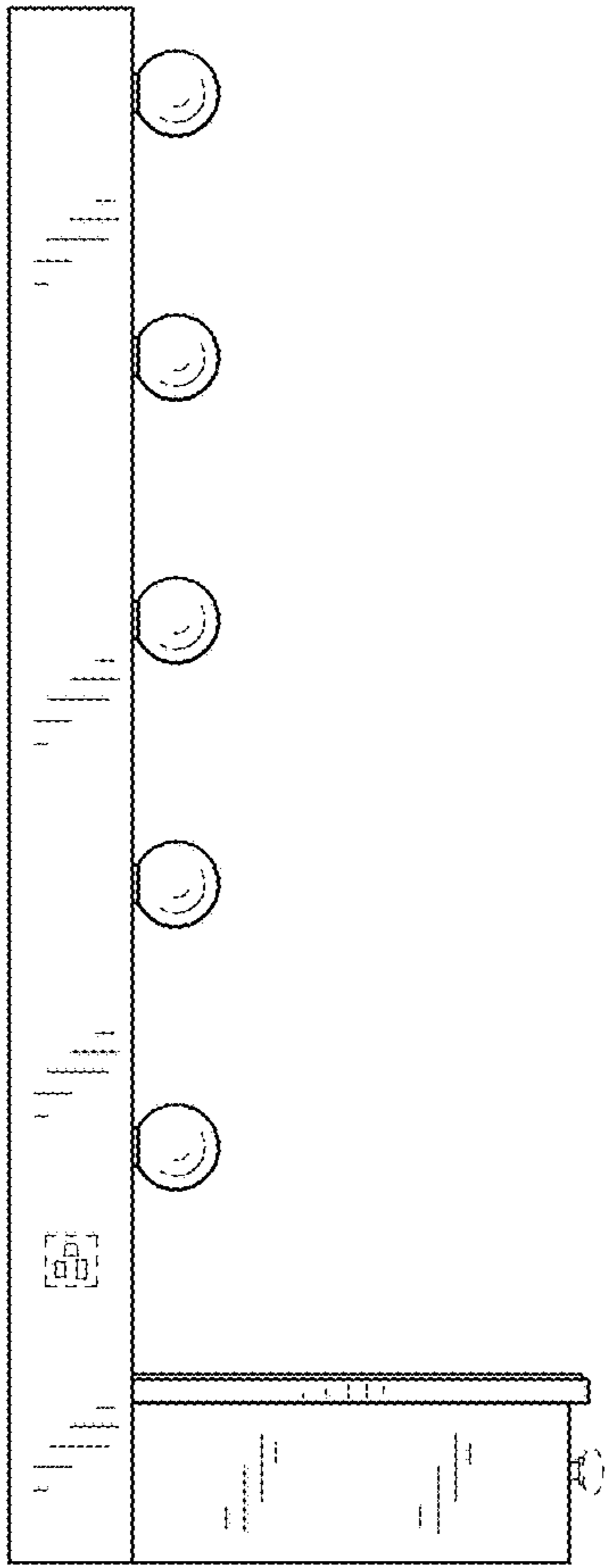


FIG. 12

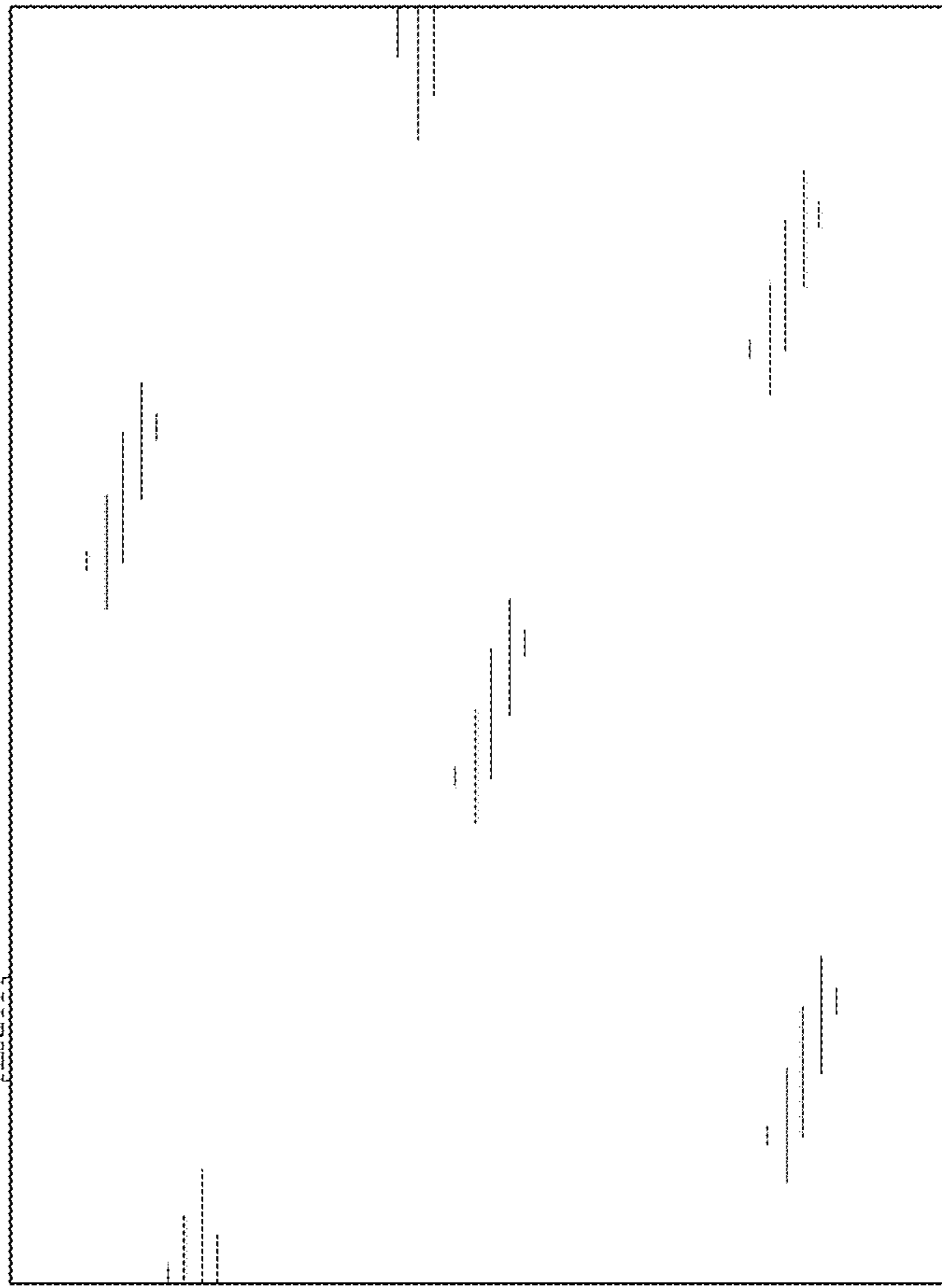


FIG. 13

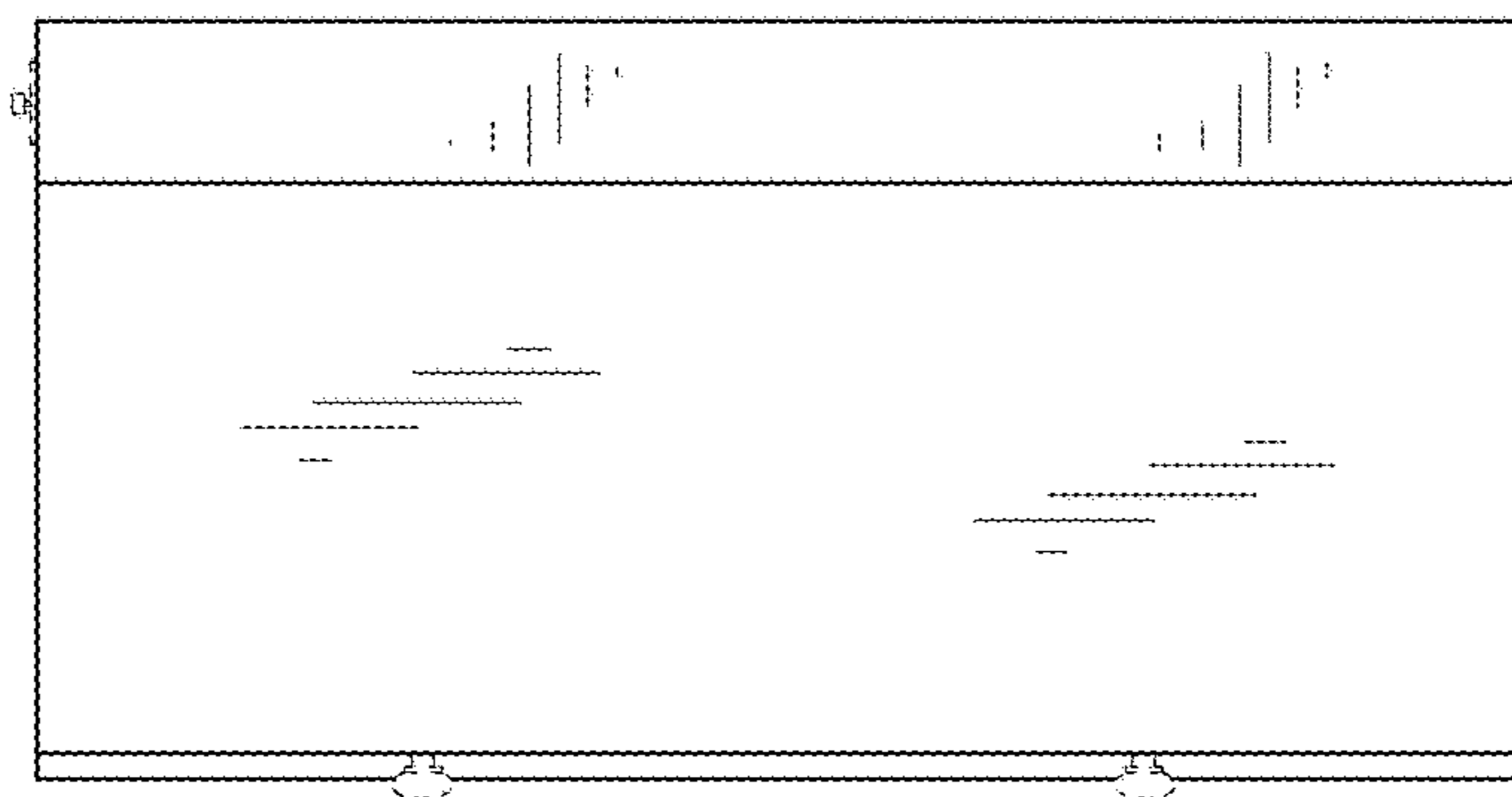


FIG. 14

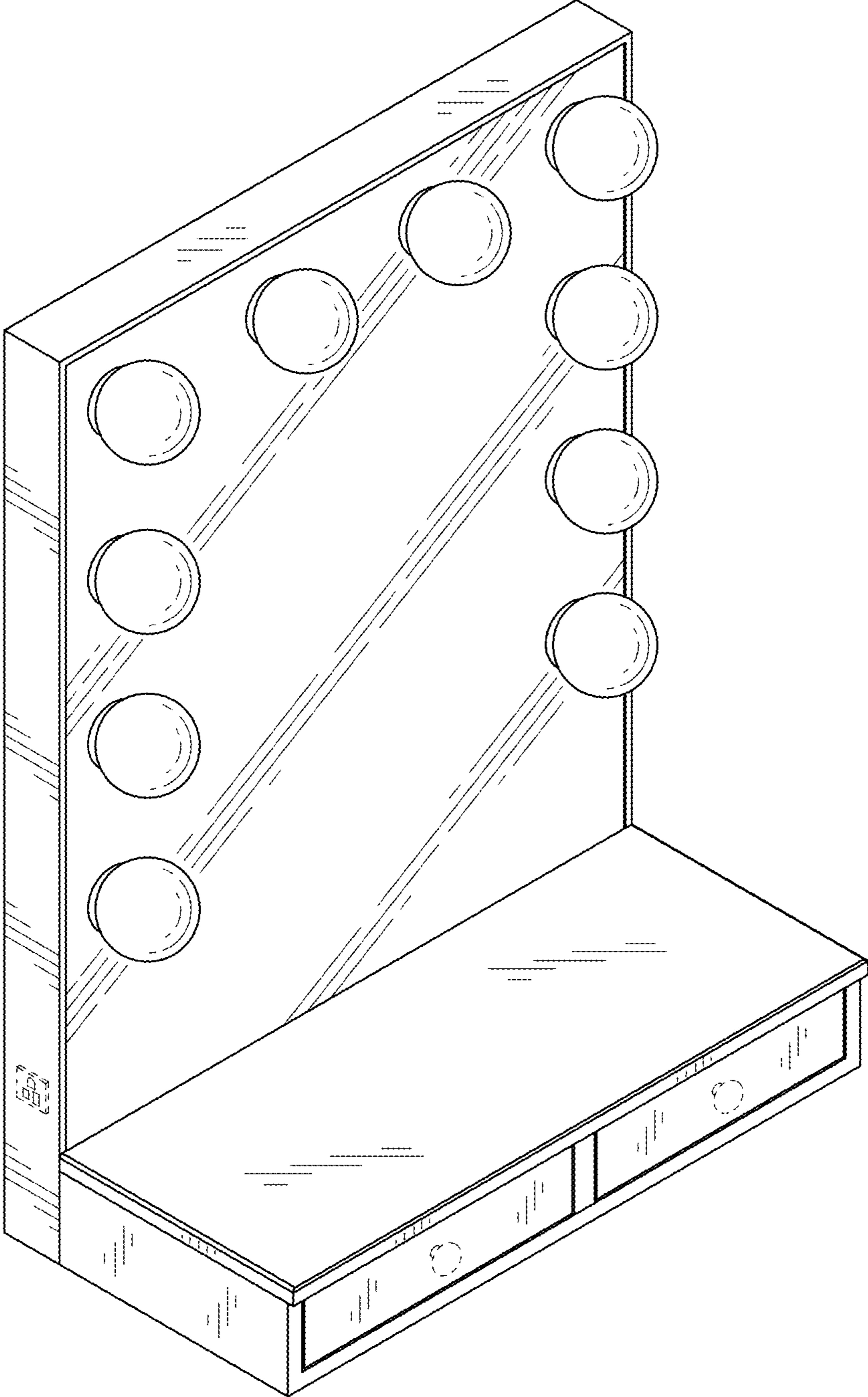


FIG. 15

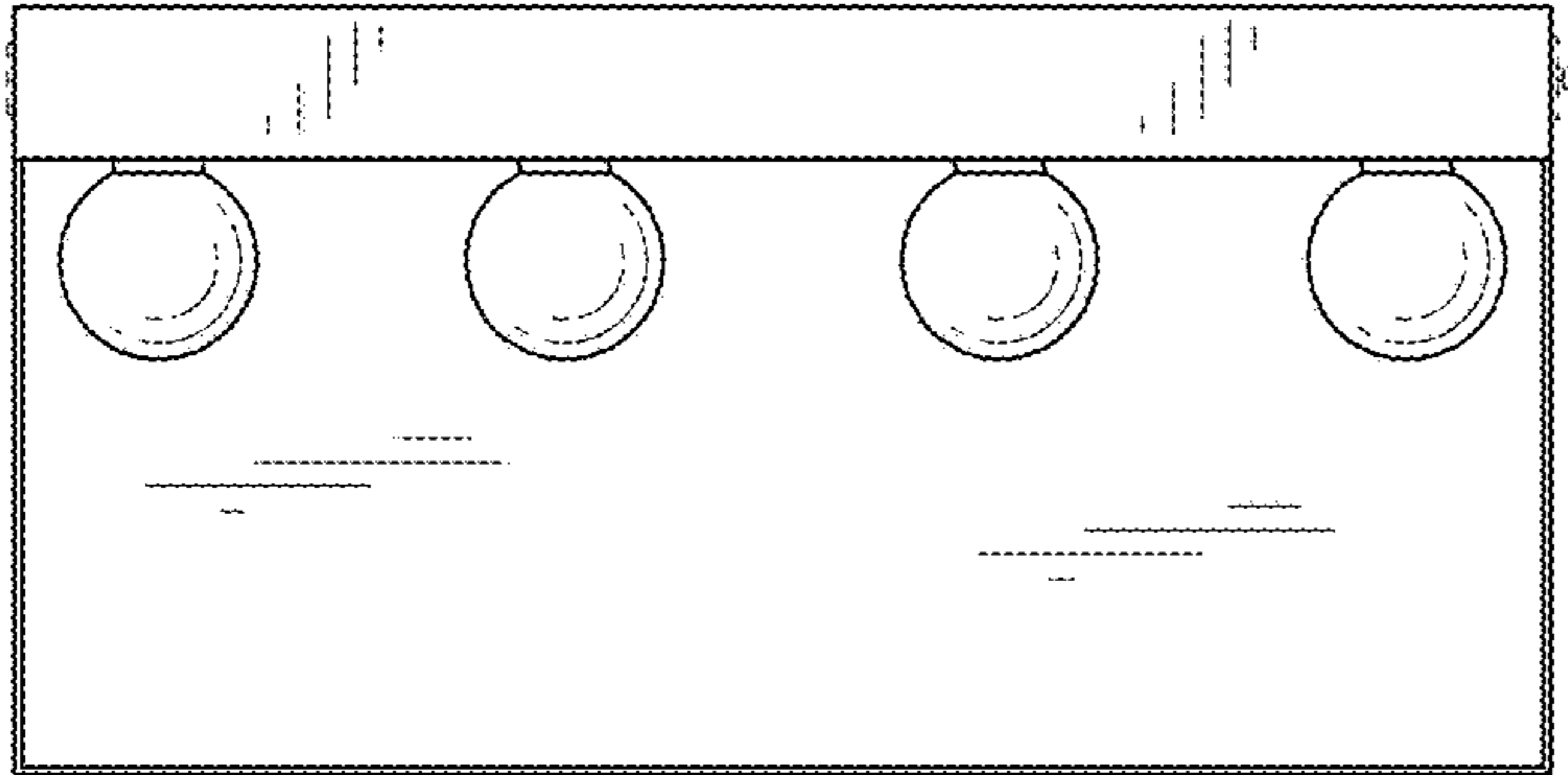


FIG. 16

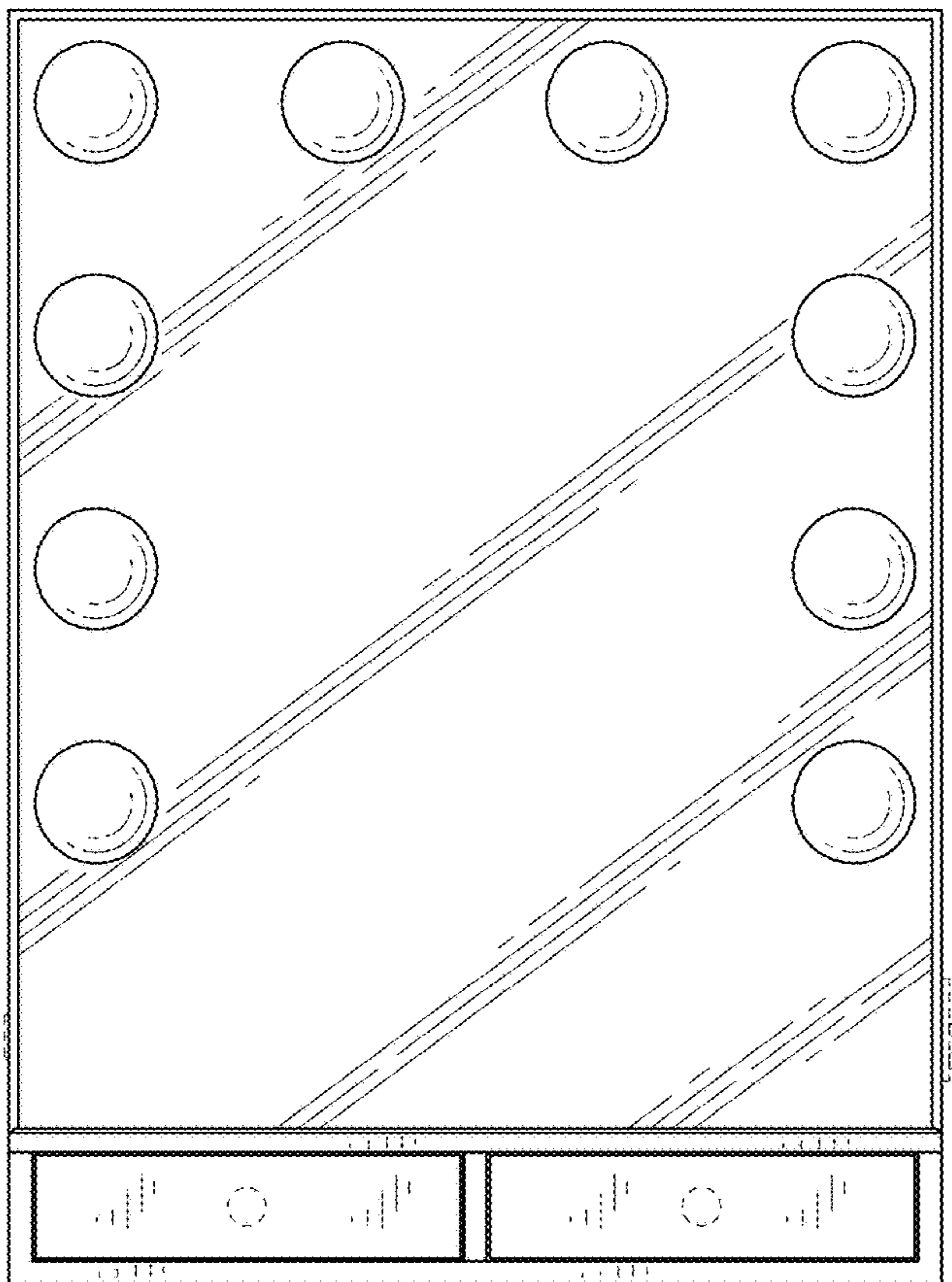


FIG. 17

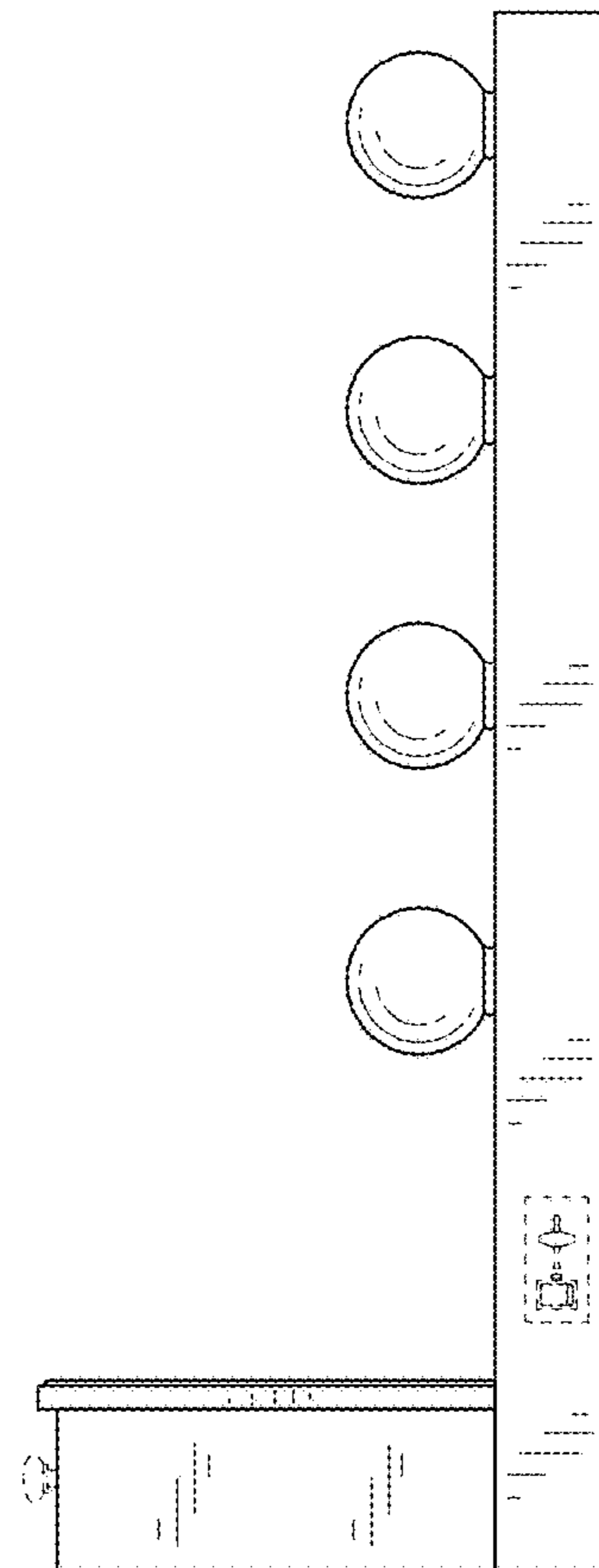


FIG. 18

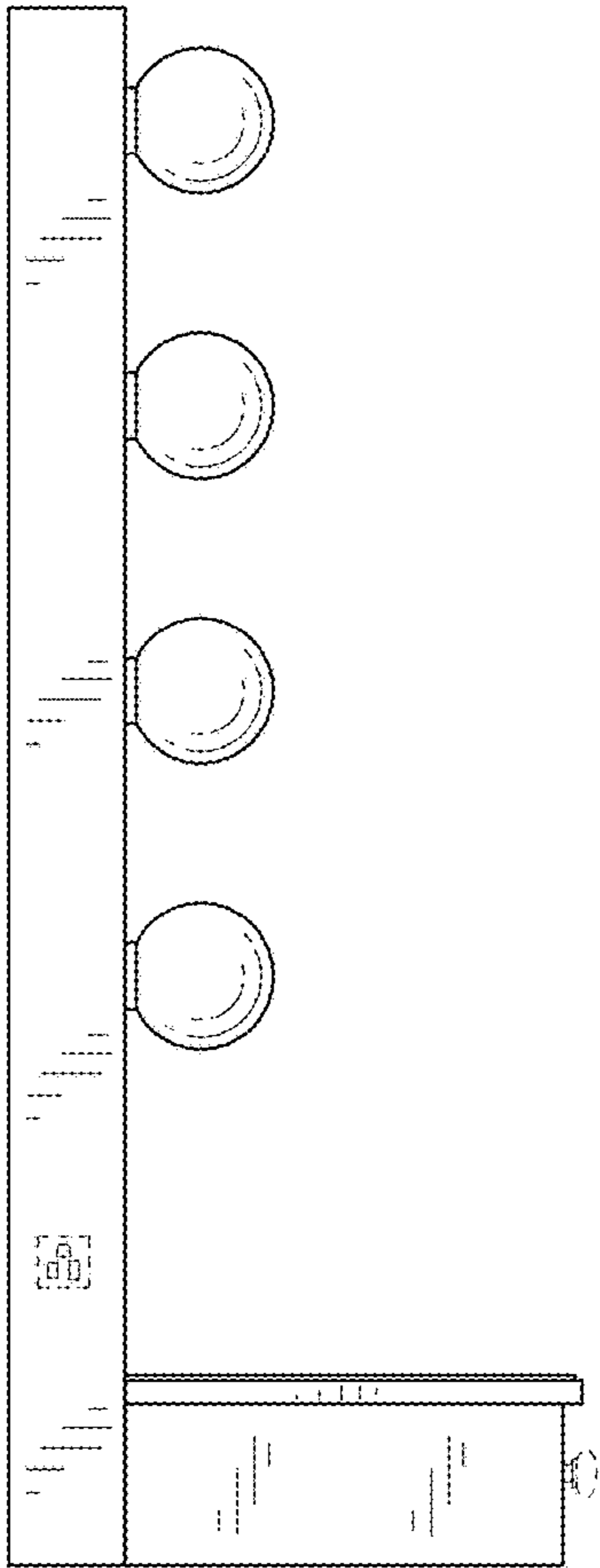


FIG. 19

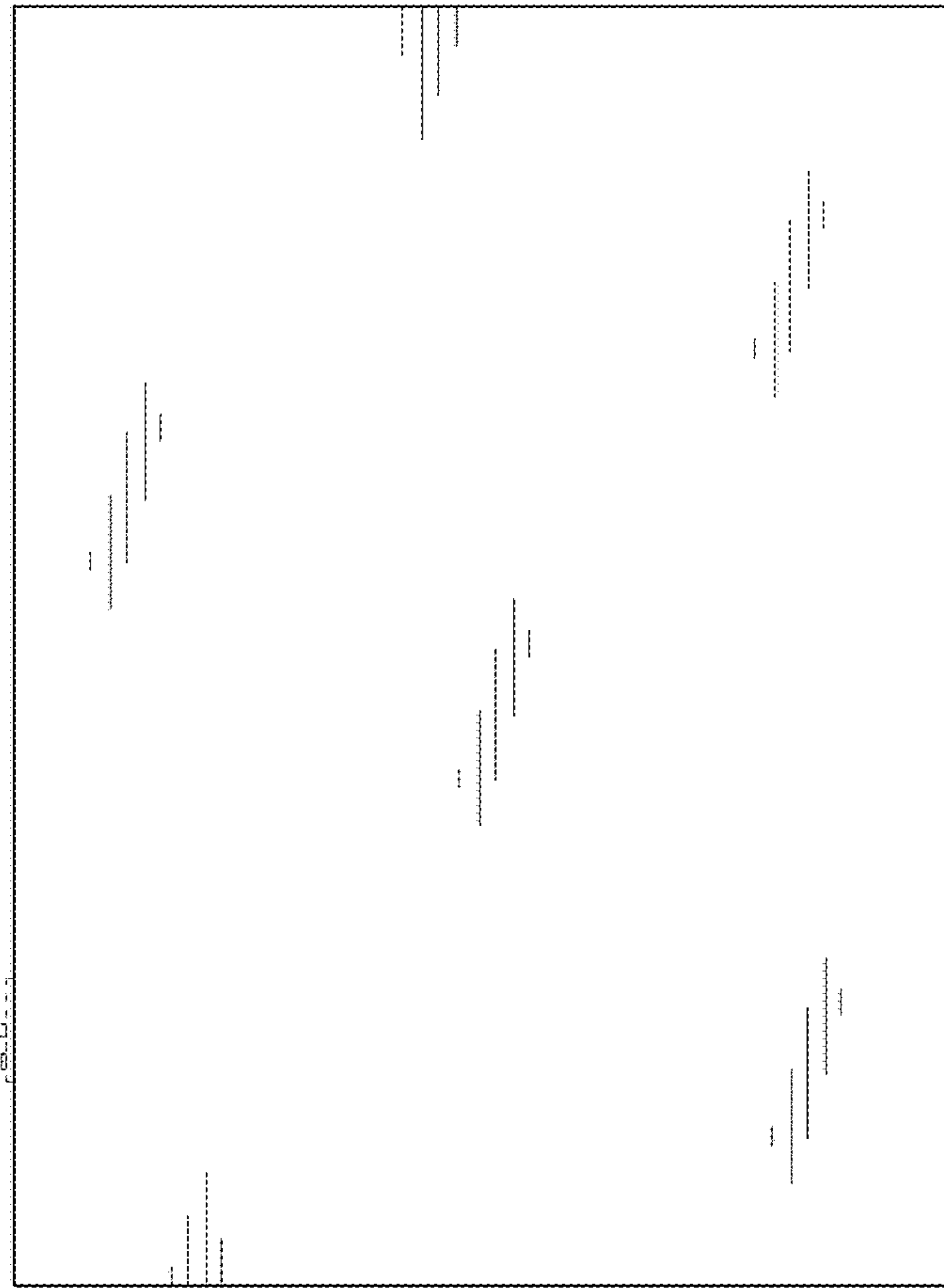


FIG. 20

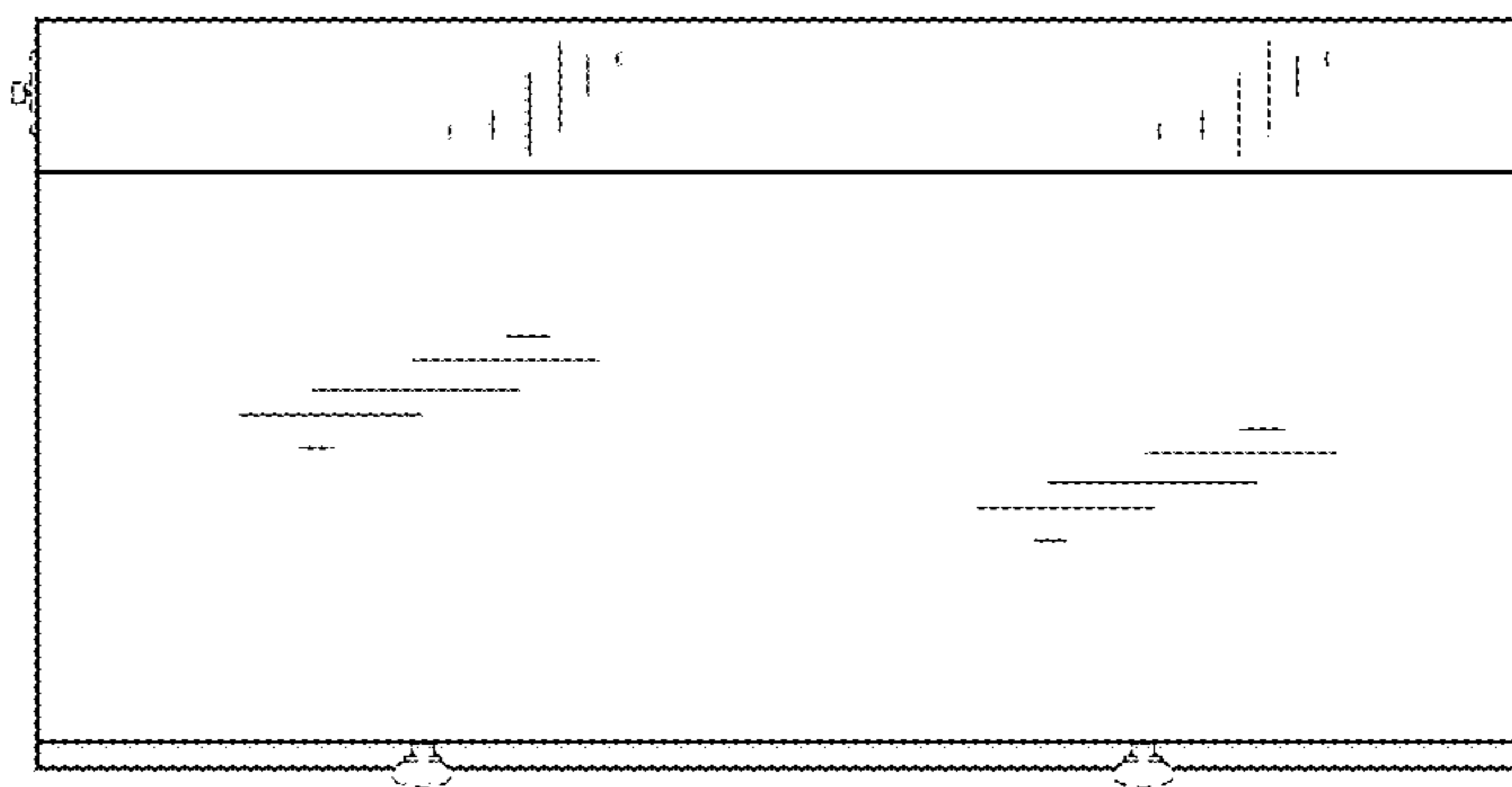


FIG. 21