



US00D779213S

(12) **United States Design Patent** (10) **Patent No.:** **US D779,213 S**  
**Jain** (45) **Date of Patent:** **\*\* Feb. 21, 2017**

(54) **COSMETIC BRUSH**

(71) Applicant: **Indeutsch Industries Private Limited,**  
Noida (IN)

(72) Inventor: **Samir Jain,** Noida (IN)

(73) Assignee: **INDEUTSCH INDUSTRIES**  
**PRIVATE LIMITED,** Nodia (IN)

(\*\*) Term: **15 Years**

(21) Appl. No.: **29/548,868**

(22) Filed: **Dec. 17, 2015**

(30) **Foreign Application Priority Data**

Dec. 15, 2015 (EM) ..... 002910968

(51) **LOC (10) Cl.** ..... **04-02**

(52) **U.S. Cl.**  
USPC ..... **D4/135**

(58) **Field of Classification Search**  
USPC ..... D4/121, 127, 135, 138; 15/106, 159.1,  
15/160, 176.1, 184, 190-194; 132/289,  
132/294, 298, 313, 317, 320; 401/123,  
401/141, 175, 281  
CPC ..... A46B 7/026; A46B 5/005; A46B 17/04;  
A46B 2200/1046  
See application file for complete search history.

(56) **References Cited**

U.S. PATENT DOCUMENTS

D435,349 S \* 12/2000 Kim ..... D4/135  
D439,415 S \* 3/2001 Mink ..... D4/121  
D450,931 S \* 11/2001 Mink ..... D4/135  
D454,001 S \* 3/2002 Mink ..... D4/127  
D559,548 S \* 1/2008 Dovellos ..... D4/135  
D571,559 S \* 6/2008 Riaz ..... D4/135

D591,512 S \* 5/2009 Mongeon ..... D28/7  
D625,522 S \* 10/2010 Riaz ..... D4/135  
D630,437 S \* 1/2011 Carey ..... D4/116  
D713,646 S \* 9/2014 Mink ..... D4/135  
D714,558 S \* 10/2014 Mink ..... D4/135  
D757,447 S \* 5/2016 White ..... D4/135  
2002/0083953 A1 \* 7/2002 Dorf ..... A46B 3/10  
132/200  
2013/0199556 A1 \* 8/2013 Lim ..... A46B 15/0055  
132/148

\* cited by examiner

*Primary Examiner* — Austin Murphy

(74) *Attorney, Agent, or Firm* — Katten Muchin  
Rosenman LLP

(57) **CLAIM**

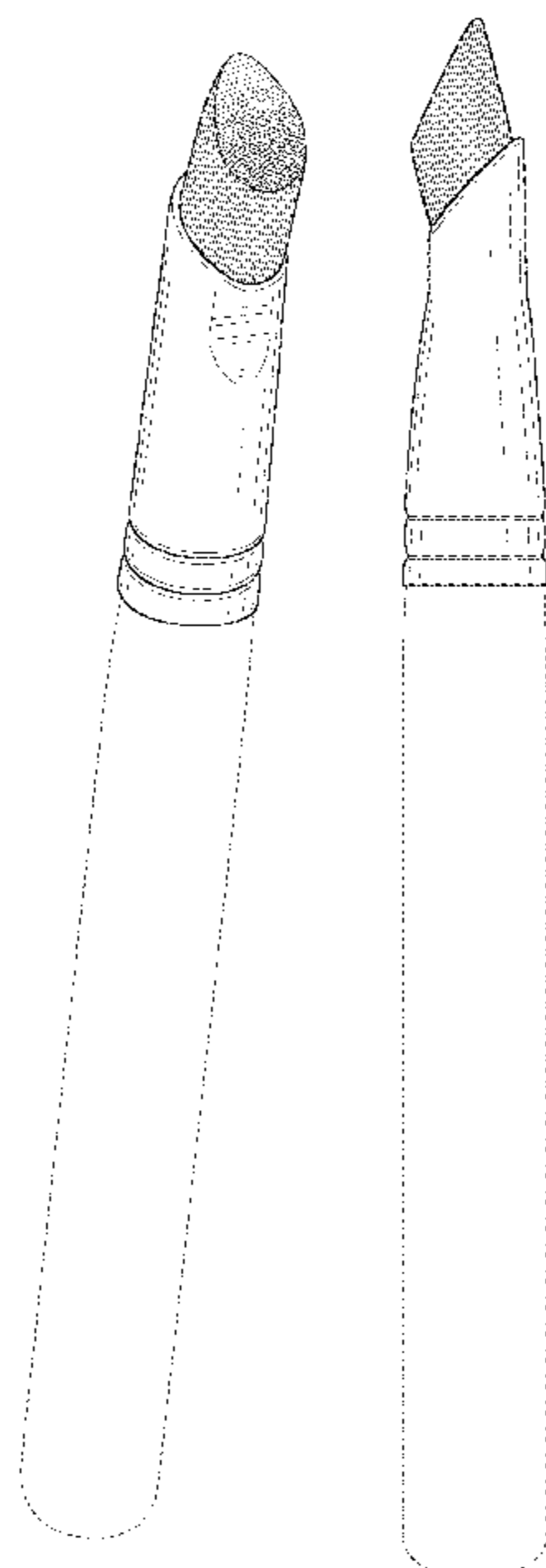
The ornamental design for the cosmetic brush, as shown and described.

**DESCRIPTION**

FIG. 1 is a front perspective view of a cosmetic brush of the present invention;  
FIG. 2 is a frontal view of the cosmetic brush of the present invention;  
FIG. 3 is a rear view of the cosmetic brush of the present invention;  
FIG. 4 is a first side view of the cosmetic brush of the present invention;  
FIG. 5 is a second side view of the cosmetic brush of the present invention;  
FIG. 6 is a top view of the cosmetic brush of the present invention; and,  
FIG. 7 is a bottom view of the cosmetic brush of the present invention.

The broken lines in the drawings represent unclaimed subject matter and form no part of the claim.

**1 Claim, 4 Drawing Sheets**



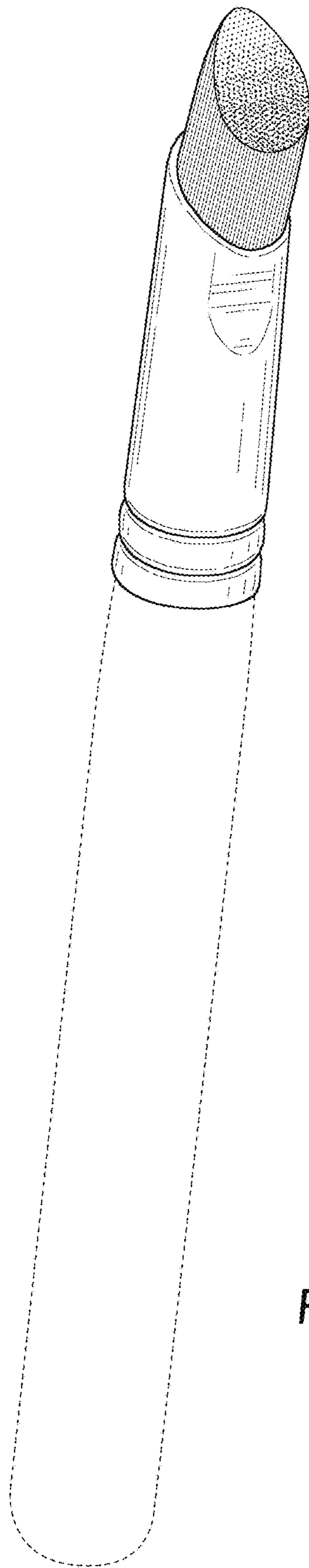


FIG. 1



FIG. 2



FIG. 3

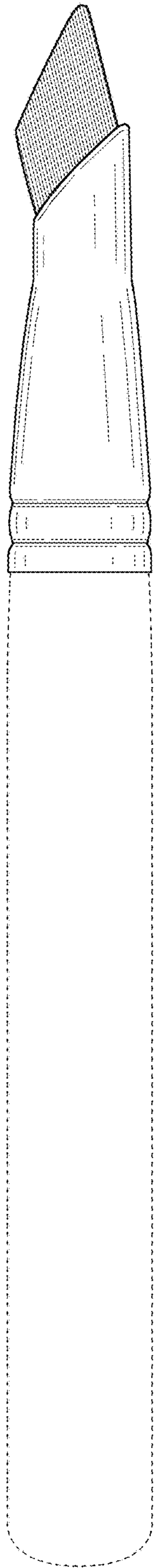


FIG. 4

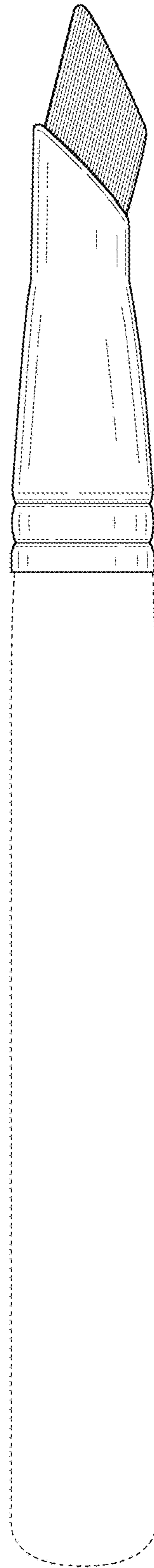
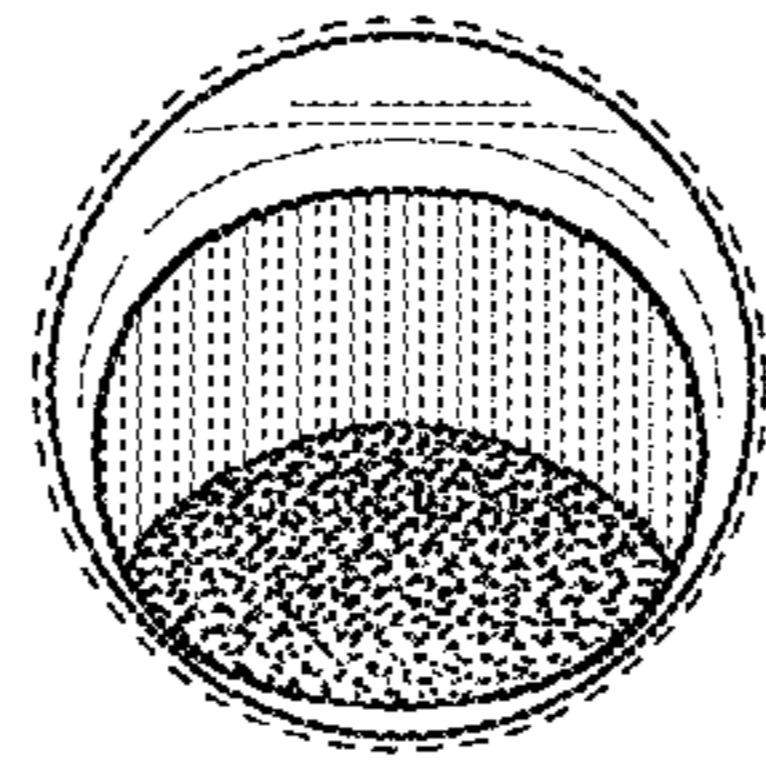
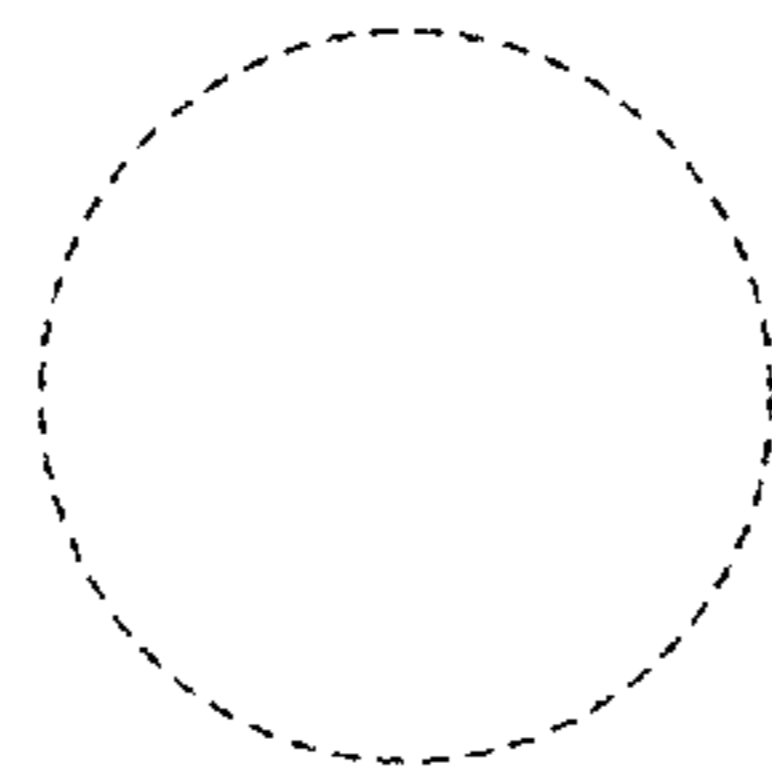


FIG. 5



**FIG. 6**



**FIG. 7**