



US00D779211S

(12) **United States Design Patent** (10) **Patent No.:** **US D779,211 S**
Diz et al. (45) **Date of Patent:** **** Feb. 21, 2017**

(54) **SUITCASE CLOSURE**

FOREIGN PATENT DOCUMENTS

(71) Applicant: **Bluesmart Inc.**, Mountain View, CA (US)

WO WO-2007/063302 A1 6/2007
WO WO-2013/126459 A2 8/2013
WO WO-2014/073971 A1 5/2015

(72) Inventors: **Martin Diz**, Buffalo, NY (US); **Brian Chen**, New York, NY (US); **Alejo Verlini**, Buenos Aires (AR); **Alejandro Sarra**, Buenos Aires (AR); **Diego Martin Saez-Gil**, Brooklyn, NY (US); **Tomas Mario Pierucci**, Buenos Aires (AR)

OTHER PUBLICATIONS

Designboom, "Bluesmart is a Smart Connected Carry-on Suitcase with Built-in Battery" Accessed on Apr. 5, 2016. Posted on Oct. 21, 2014, 19 pages. (<http://www.designboom.com/technology/bluesmart-smart-connected-suitcase-10-21-2014/>).

(Continued)

(73) Assignee: **BLUESMART INC.**, Mountain View, CA (US)

Primary Examiner — Holly Baynham

(74) *Attorney, Agent, or Firm* — Morrison & Foerster LLP

(**) Term: **15 Years**

(57) **CLAIM**

(21) Appl. No.: **29/539,269**

The ornamental design for a suitcase closure, as shown and described.

(22) Filed: **Sep. 11, 2015**

DESCRIPTION

Related U.S. Application Data

(63) Continuation of application No. 14/722,980, filed on May 27, 2015.

(51) **LOC (10) Cl.** **03-01**

(52) **U.S. Cl.**
USPC **D3/318**

(58) **Field of Classification Search**
USPC D3/273, 279, 289

(Continued)

(56) **References Cited**

U.S. PATENT DOCUMENTS

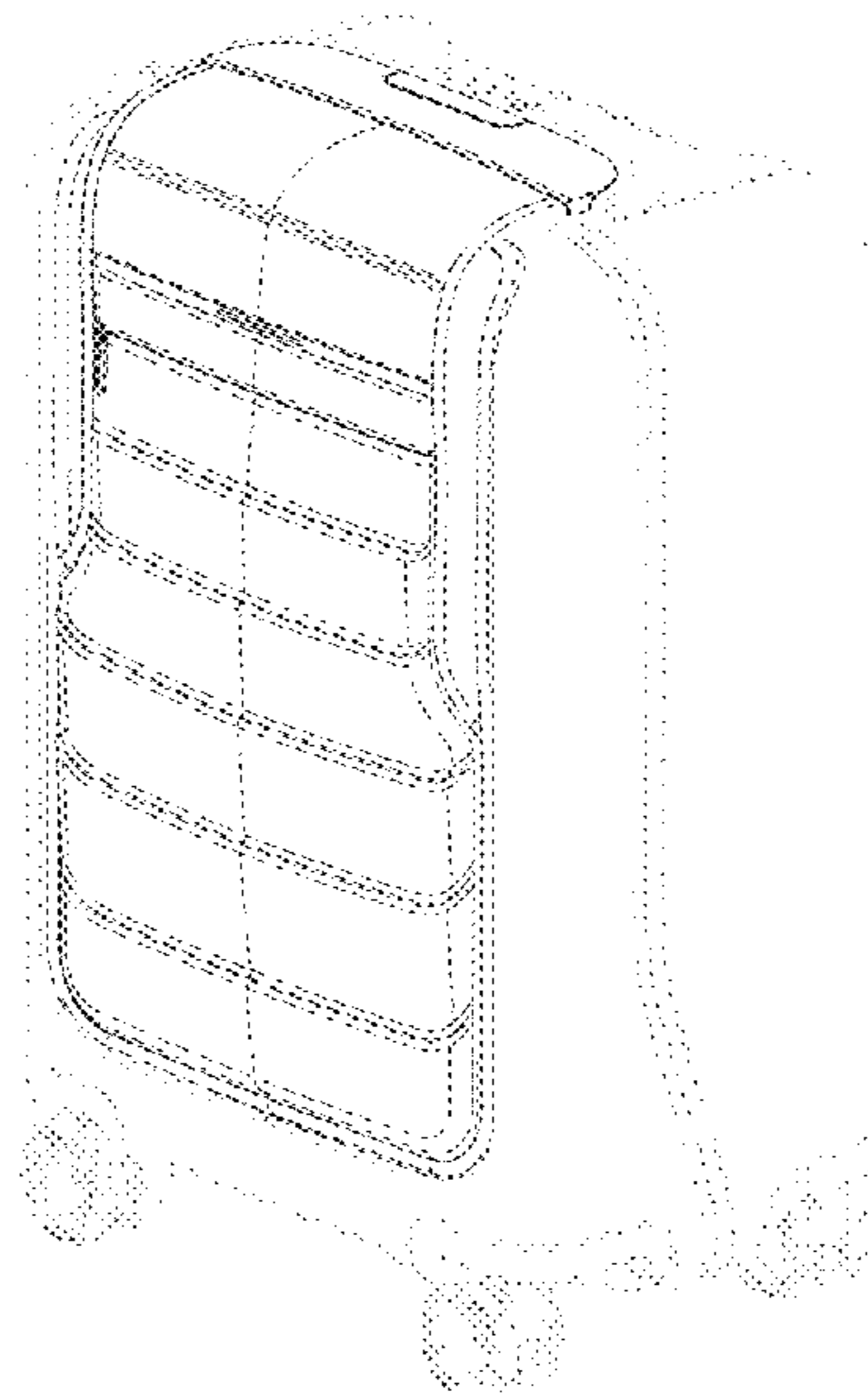
D383,604 S * 9/1997 King D3/279
D425,301 S 5/2000 Sagol

(Continued)

FIG. 1 is a top perspective view of a suitcase closure or flap in a closed position according to one embodiment; FIG. 2 is a top perspective view of a suitcase closure or flap in an open position; FIG. 3 is a front view of the suitcase closure in a closed position; FIG. 4 is a partial side view of the suitcase closure in a closed position; FIG. 5 is a partial side view of the suitcase closure in an open position; FIG. 6 is a top view of the suitcase closure in a closed position; and, FIG. 7 is a top view of the suitcase closure in an open position.

The broken lines showing a suitcase are for the purposes of illustrating environment and form no part of the claimed design.

1 Claim, 7 Drawing Sheets



(58) **Field of Classification Search**
 CPC A45C 5/03
 See application file for complete search history.

2012/0152677	A1	6/2012	Lu
2013/0255335	A1	10/2013	Jonely
2014/0131156	A1	5/2014	Farrelly
2014/0166416	A1	6/2014	Krulik
2014/0283335	A1	9/2014	Meersschaert
2015/0014108	A1	1/2015	Vecellio
2015/0021132	A1	1/2015	Sijmons
2015/0348347	A1	12/2015	Diz et al.

(56) **References Cited**
 U.S. PATENT DOCUMENTS

D428,698	S	8/2000	Cheng	
D434,224	S	11/2000	Tiramani	
D435,967	S	1/2001	Tiramani	
D438,005	S	2/2001	Tiramani	
D440,764	S *	4/2001	Cheng	D3/276
D454,430	S *	3/2002	Sijmons	D3/279
D463,663	S *	10/2002	Magana	D3/279
D479,651	S	9/2003	Shen	
D485,681	S *	1/2004	Fenton	D3/279
7,358,449	B2	4/2008	Hannon	
D604,953	S *	12/2009	Chu	D3/318
7,916,025	B2	3/2011	Locker et al.	
D659,395	S	5/2012	Sijmons	
D719,730	S *	12/2014	Marabotto	D3/279
D720,928	S	1/2015	Roncato	
D722,771	S	2/2015	Wu	
D728,236	S	5/2015	Virassamy	
D730,050	S	5/2015	Hogan	
D740,558	S	10/2015	Liao	
D743,168	S	11/2015	Niu	

OTHER PUBLICATIONS

International Search Report mailed on Oct. 19, 2015, for PCT/US2015/032667, filed on May 27, 2015, 4 pages.
 Non-Final Office Action mailed Dec. 31, 2015, for Design U.S. Appl. No. 29/538,746, filed on Sep. 8, 2015, 17 pages.
 One Mile At A Time Blog, "Trunkster Zipperless Luggage-Thoughts?" Accessed on Nov. 25, 2015. Posted on Nov. 21, 2014, 13 pages. (<http://onemileatatime.boardingarea.com/2014/11/21/trunkster-zipperless-luggage-thoughts/>).
 Written Opinion mailed on Oct. 19, 2015, for PCT/US2015/032667, filed on May 27, 2015, 7 pages.
 Youtube.com, "Bluesmart—Prototype Demo #02", Accessed on Nov. 25, 2015. Posted on Oct. 20, 2014, 2 pgs. (<https://www.youtube.com/watch?v=z45Hwt91GXE>).

* cited by examiner

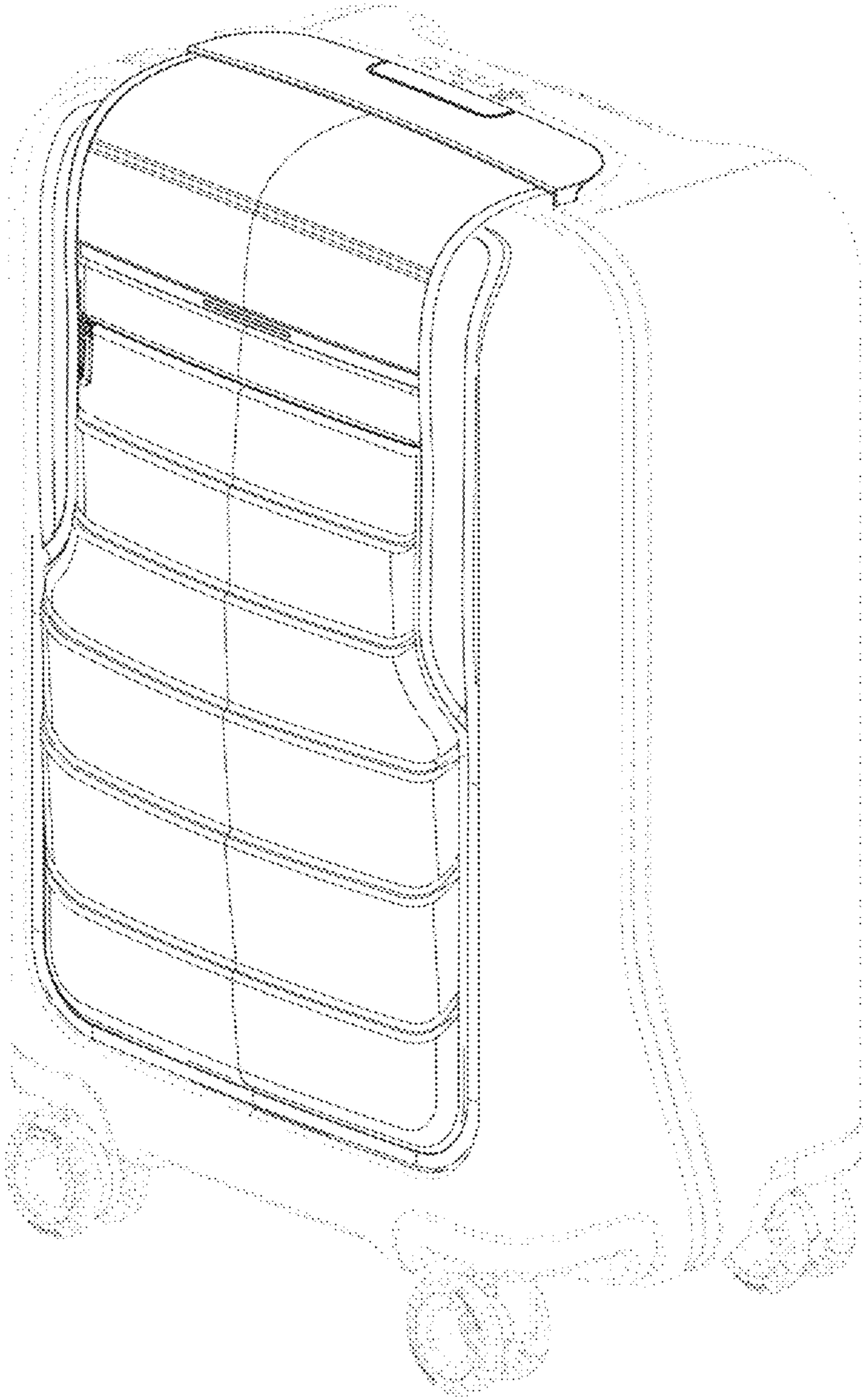


FIG. 1

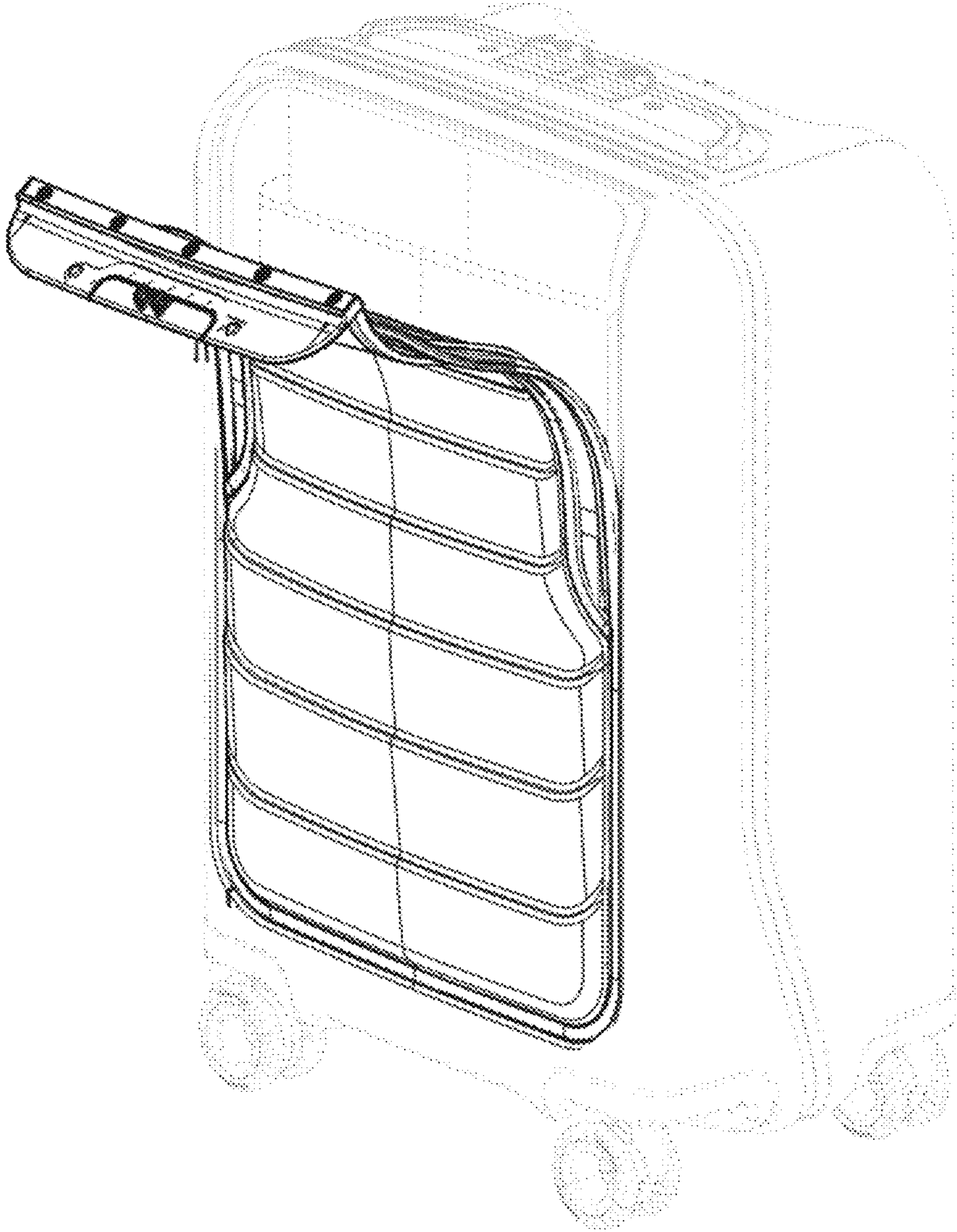


FIG. 2

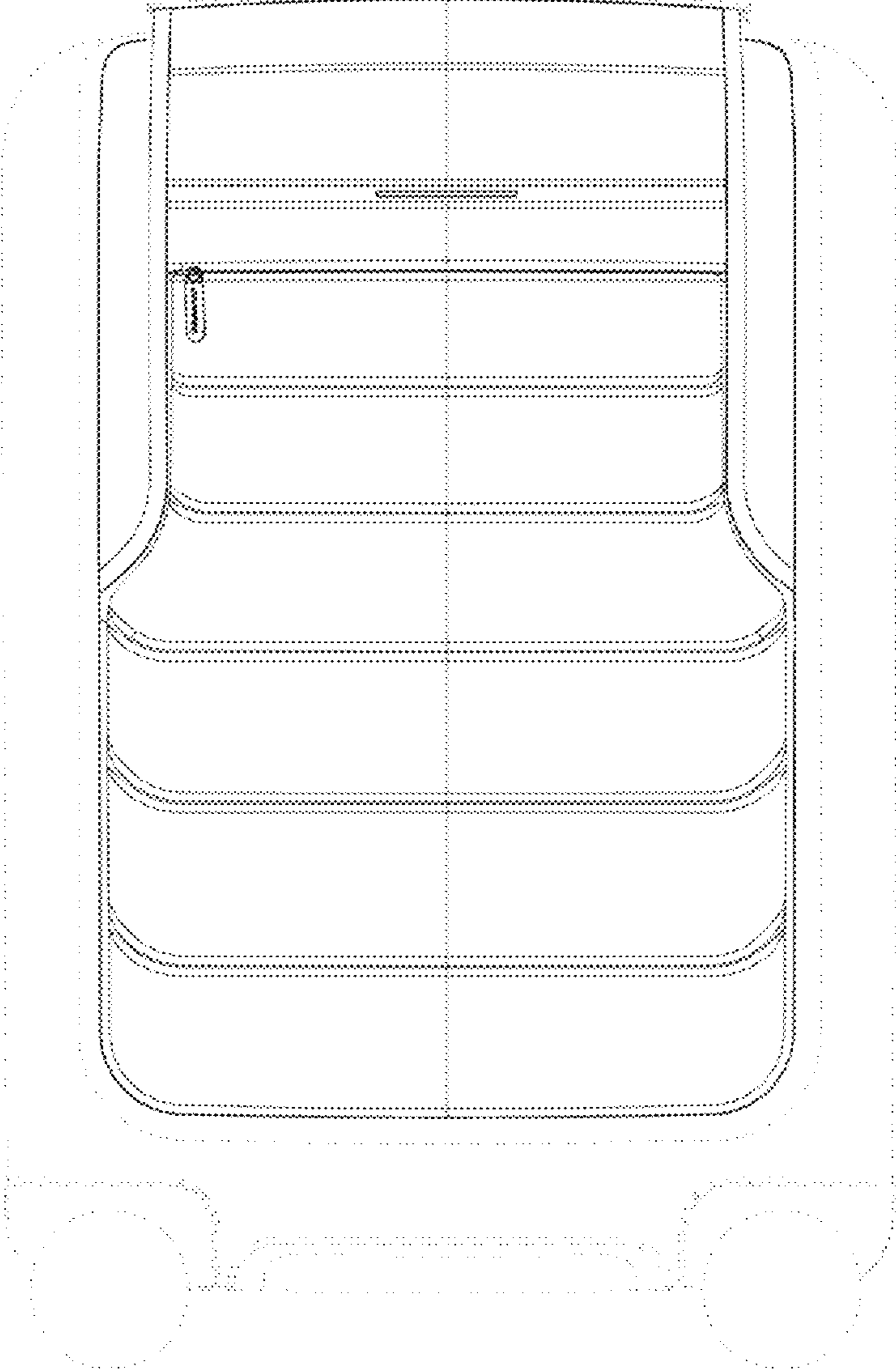


FIG. 3

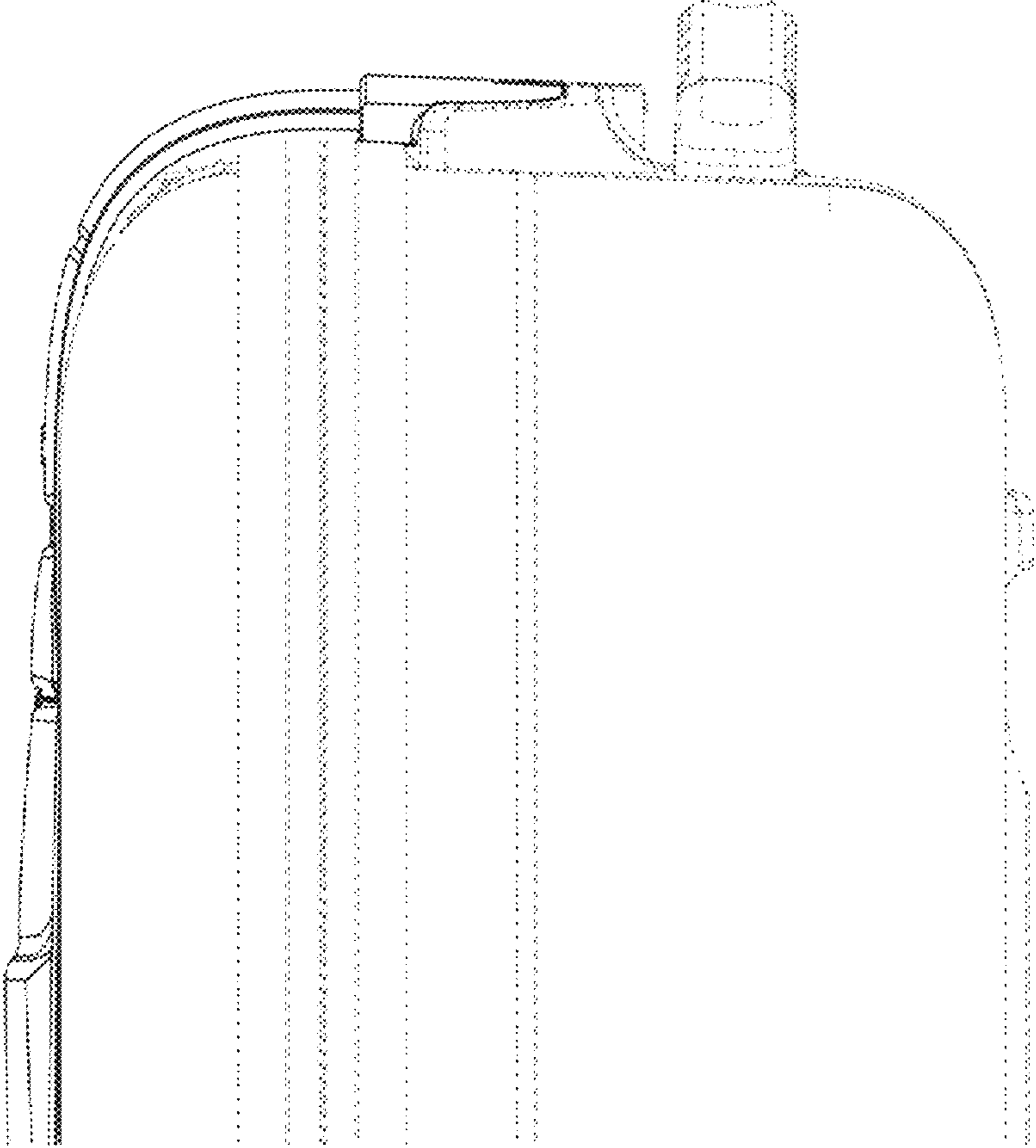


FIG. 4

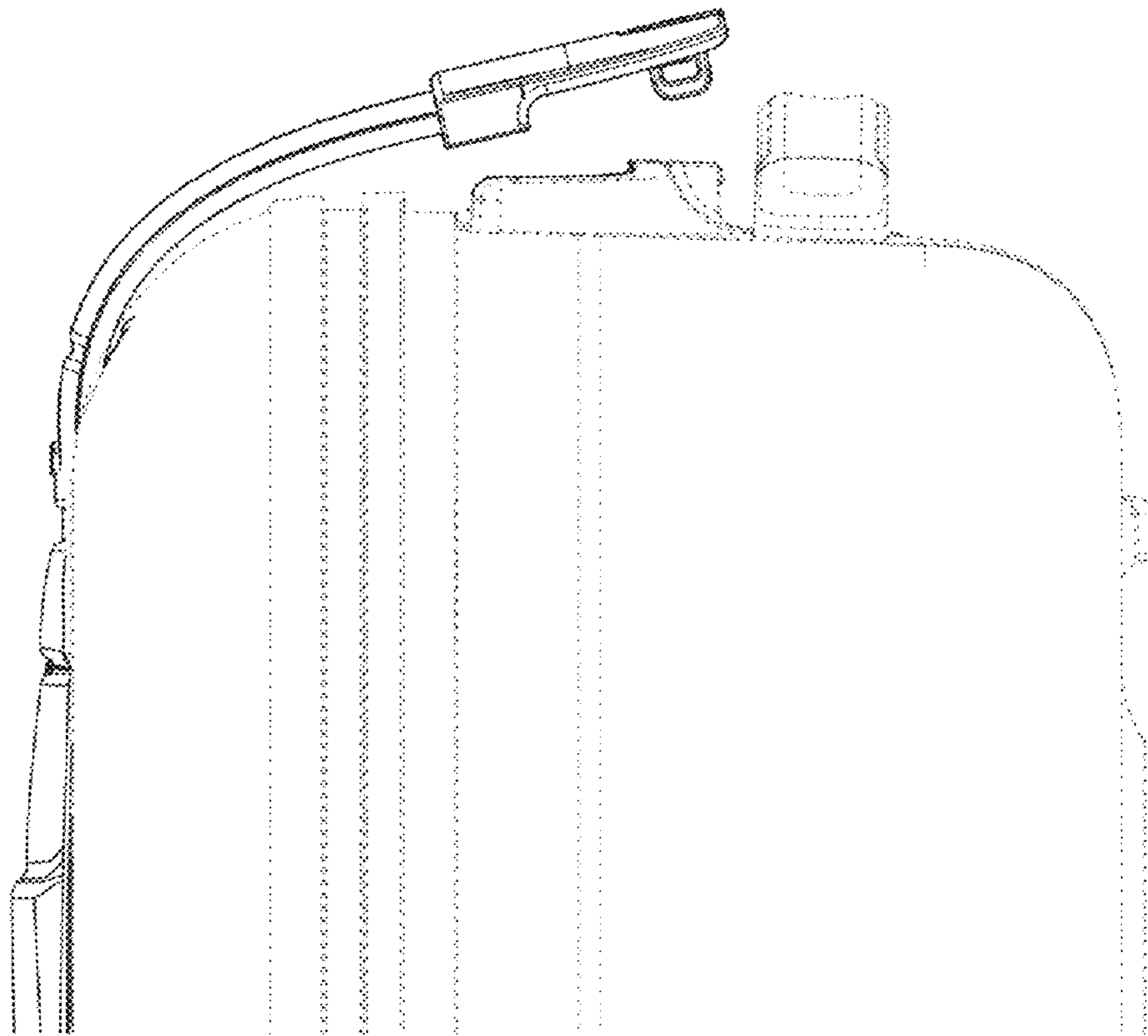


FIG. 5

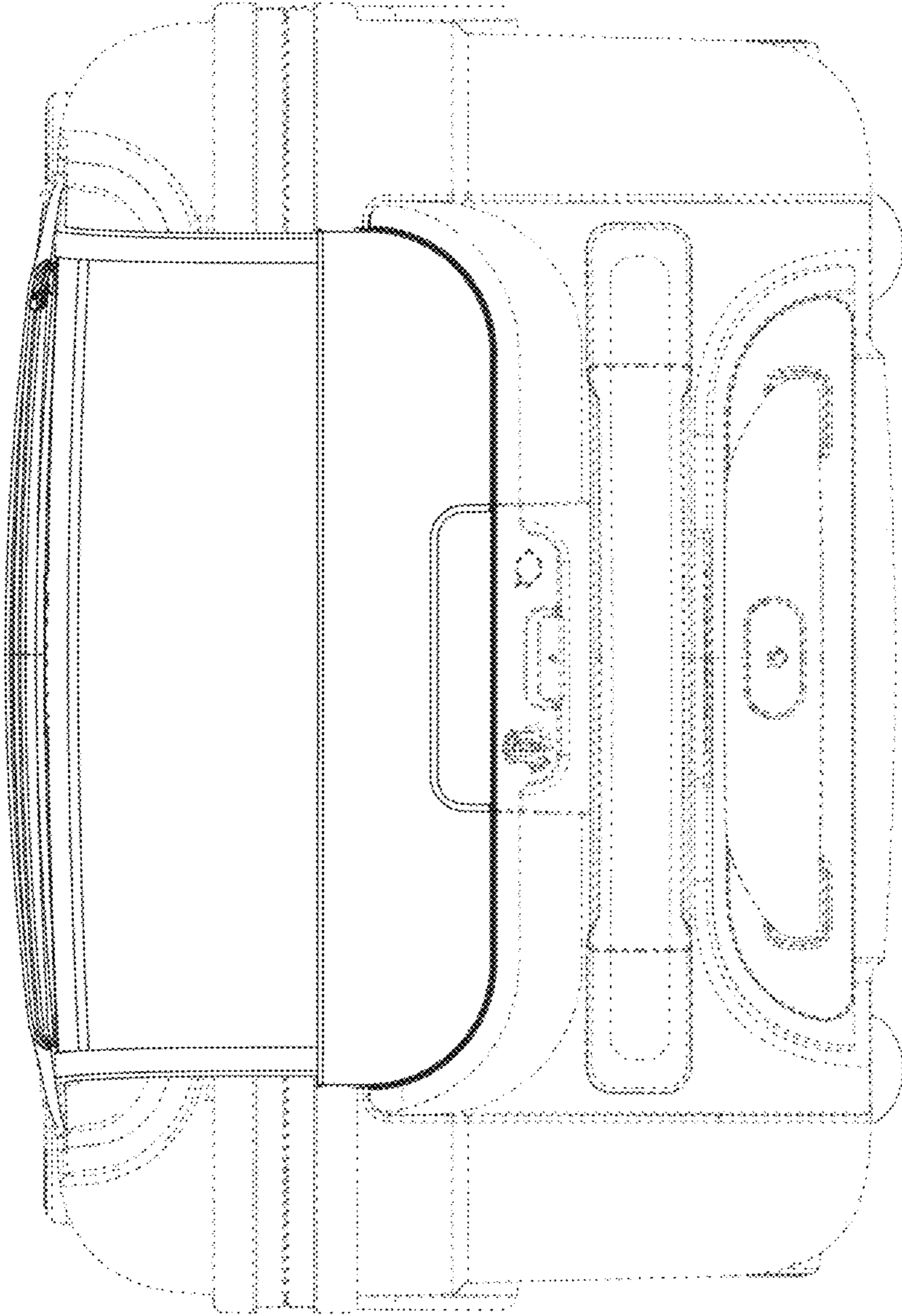


FIG. 6

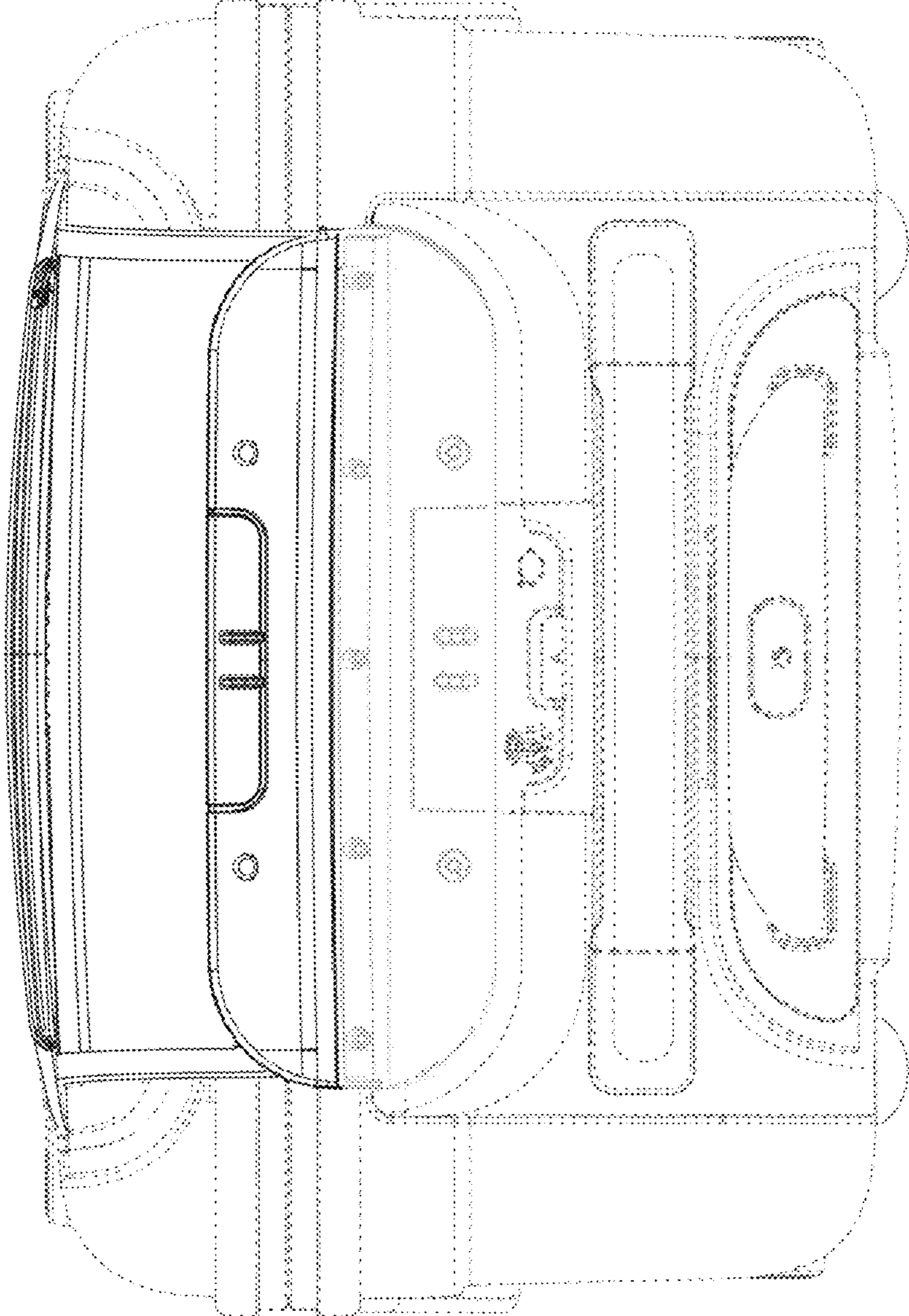


FIG. 7