



US00D779208S

(12) **United States Design Patent** (10) **Patent No.:** **US D779,208 S**  
**Parker** (45) **Date of Patent:** **\*\* Feb. 21, 2017**

(54) **FOOTWEAR CASE**  
(71) Applicant: **Joshua Parker**, Fairlawn, OH (US)  
(72) Inventor: **Joshua Parker**, Fairlawn, OH (US)  
(\*\*) Term: **14 Years**  
(21) Appl. No.: **29/521,330**  
(22) Filed: **Mar. 23, 2015**

(51) **LOC (10) Cl.** ..... **03-01**  
(52) **U.S. Cl.**  
USPC ..... **D3/317; D3/301**

(58) **Field of Classification Search**  
USPC ..... D3/234, 255, 271.9, 320, 256, 262, 279,  
D3/299, 301, 303, 315, 317, 318, 319,  
D3/273, 289, 292, 294-296, 232, 244;  
D9/420, 424; D7/601, 602, 709  
CPC ..... A45C 1/00; A45C 1/02; A45C 1/024;  
A45C 1/08; A45C 3/00; A45C  
3/10; A45C 2003/001; A45C 2011/003;  
A45C 5/00; A45C 7/00; A45C 7/0018;  
A45C 7/0054; A45C 7/0059; A45C  
7/0095; A45C 2200/00; A45C  
13/00; A45C 13/001; A45C 13/002;  
A45C 13/08; A45C 11/24; A45F  
3/00; A45F 3/02; A45F 3/04; A45F 3/06;  
A45F 2003/001; A45F 2003/002; A45F  
2003/006; A45F 2200/00; A45F  
2200/0525

See application file for complete search history.

(56) **References Cited**

**U.S. PATENT DOCUMENTS**

D389,647 S \* 1/1998 White ..... D3/285  
D394,747 S \* 6/1998 Cuypers ..... D3/282

D396,750 S \* 8/1998 Slater ..... D3/284  
D560,361 S \* 1/2008 Huang ..... D3/301  
D606,394 S \* 12/2009 Stewart ..... D9/423  
D611,697 S \* 3/2010 Hay ..... D3/205  
D639,064 S \* 6/2011 Raible ..... D3/301  
D645,251 S \* 9/2011 Lee ..... D3/301  
D659,998 S \* 5/2012 Austin ..... D3/301  
D669,270 S \* 10/2012 Phillips ..... D3/301  
D672,557 S \* 12/2012 Farrell ..... D24/176  
D753,919 S \* 4/2016 Parker ..... D3/317

\* cited by examiner

*Primary Examiner* — Sandra Snapp  
*Assistant Examiner* — Holly E Thurman  
(74) *Attorney, Agent, or Firm* — Hudak, Shunk & Farine  
Co. LPA

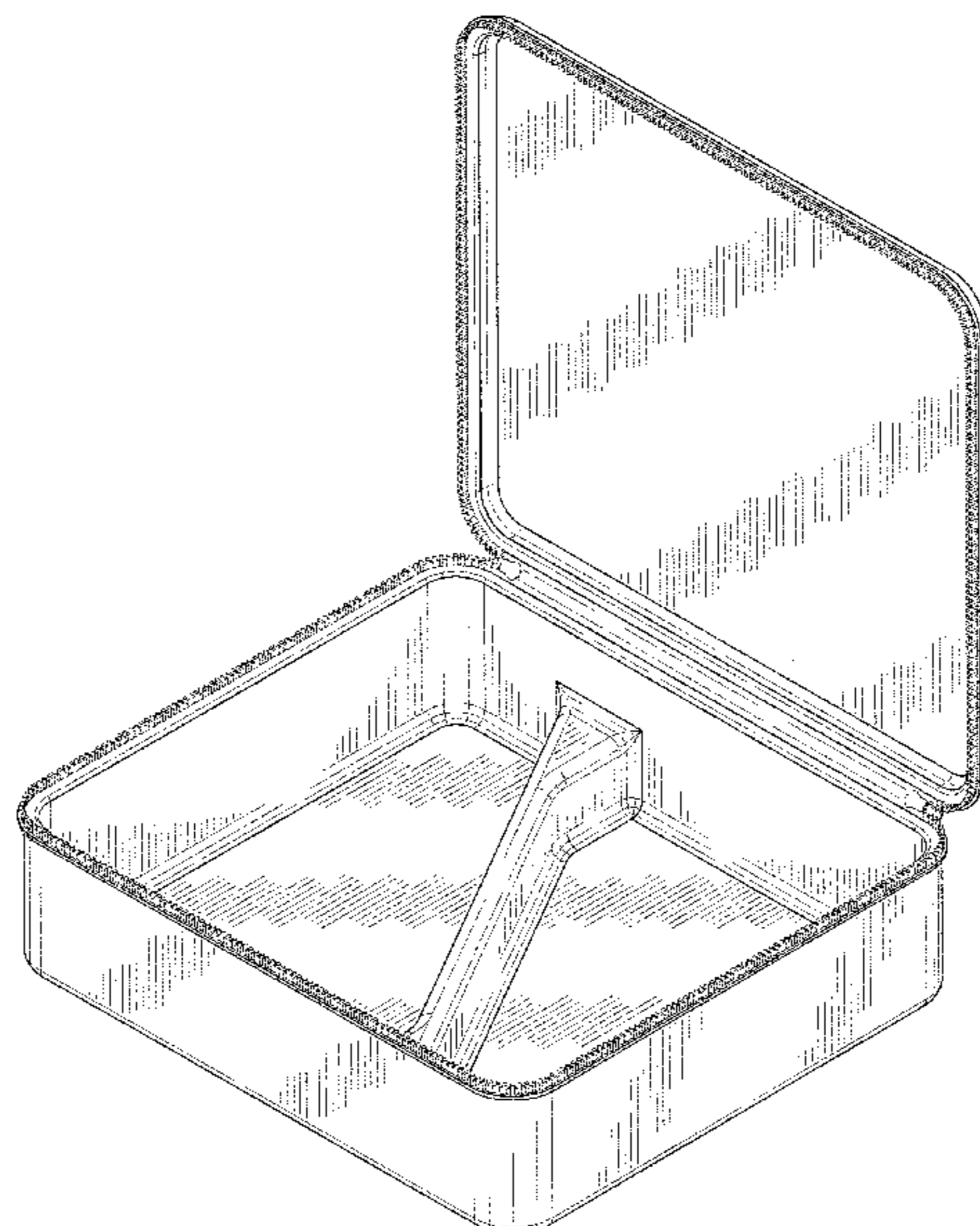
(57) **CLAIM**

The ornamental design for a footwear case, as shown and described.

**DESCRIPTION**

FIG. 1 is a slightly downward looking, right front side perspective view of the footwear case with the lid shown in an open position;  
FIG. 2 is a slightly downward looking, right rear side perspective view of the footwear case;  
FIG. 3 is a top view of the footwear case;  
FIG. 4 is a bottom view of the footwear case;  
FIG. 5 is a front view of the footwear case;  
FIG. 6 is a rear view of the footwear case;  
FIG. 7 is a left side view of the footwear case; and,  
FIG. 8 is a right side view of the footwear case.  
The broken line showing of the zipper and handle depict unclaimed environment and form no part of the claimed design.

**1 Claim, 8 Drawing Sheets**



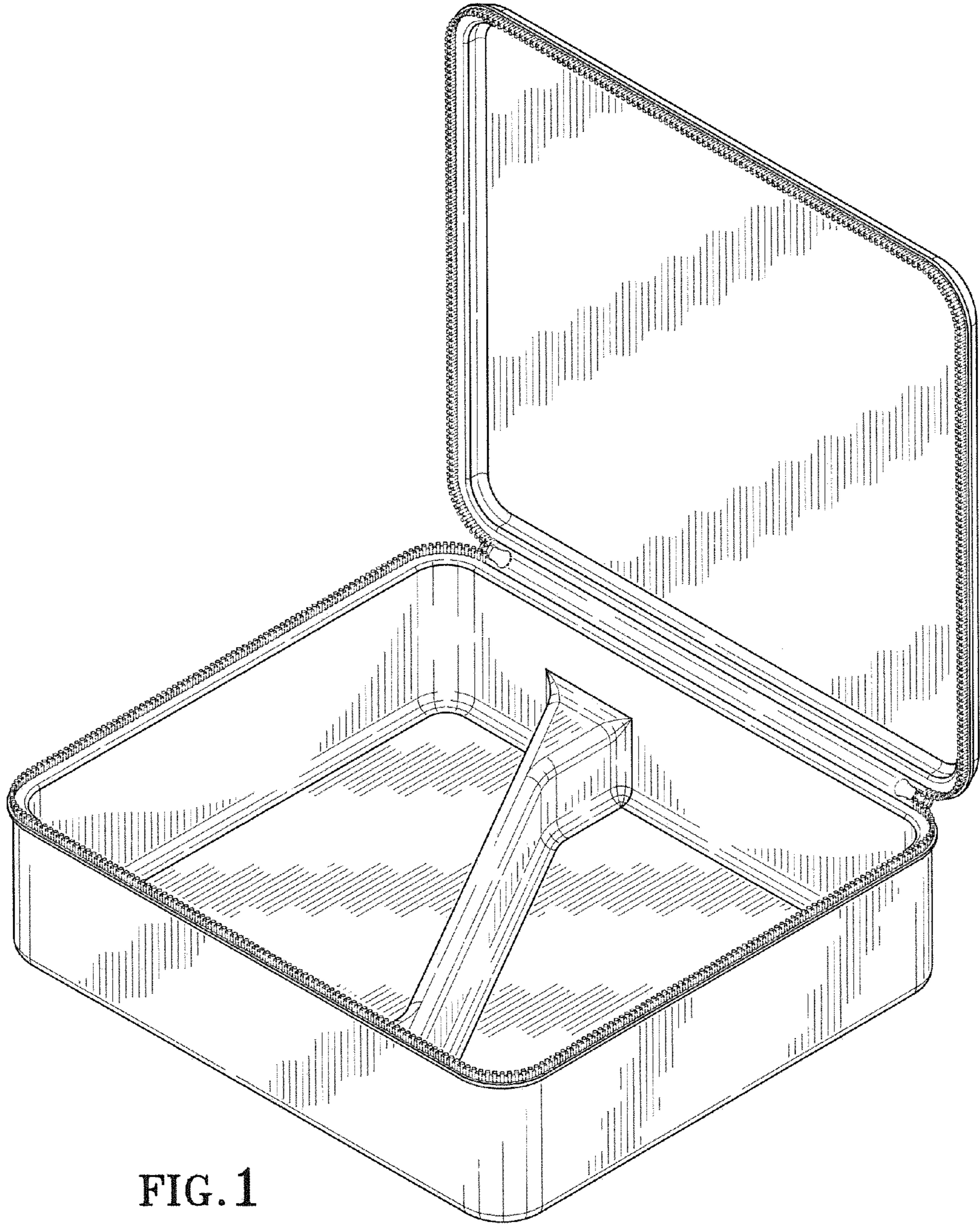


FIG. 1

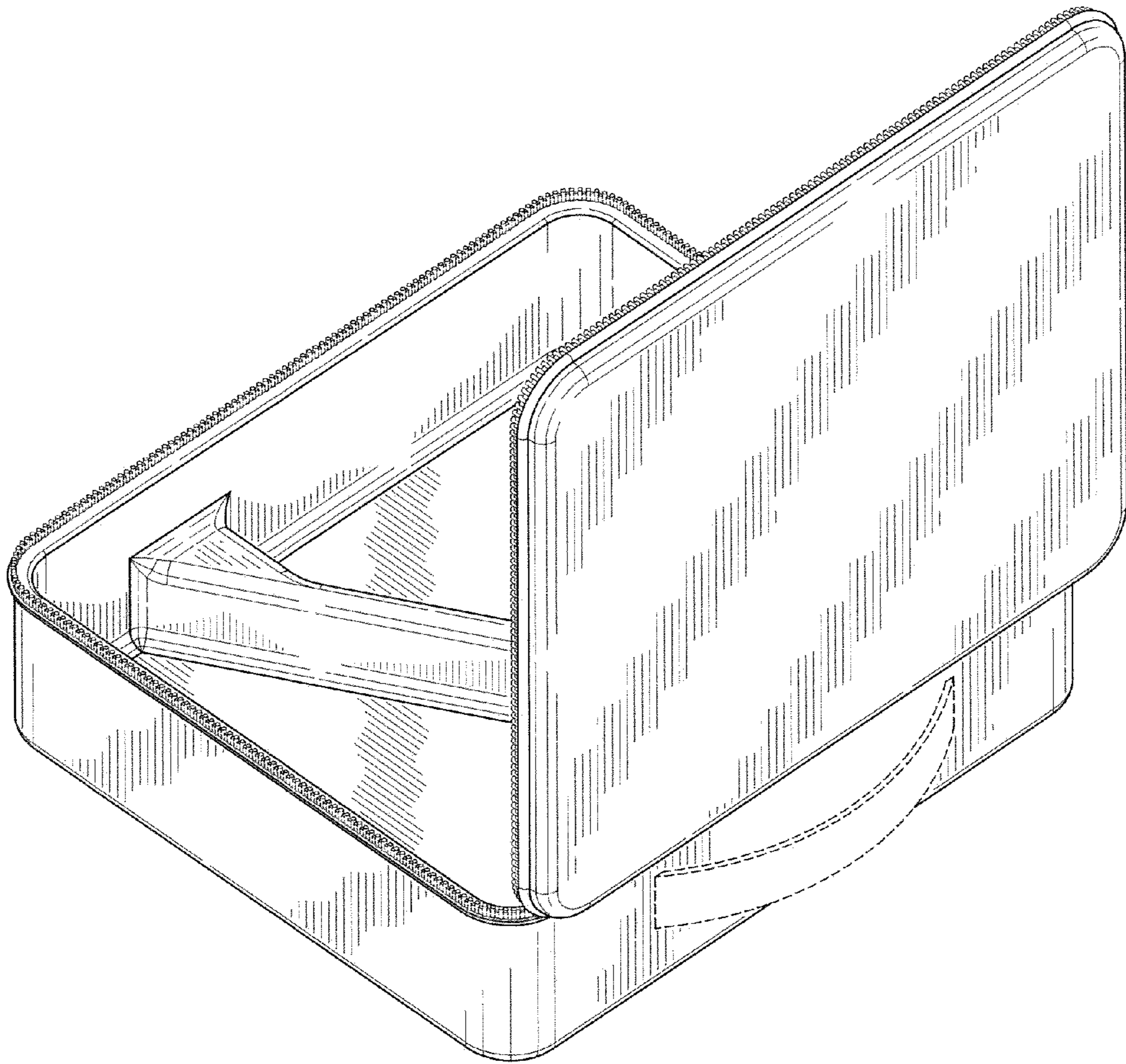


FIG.2

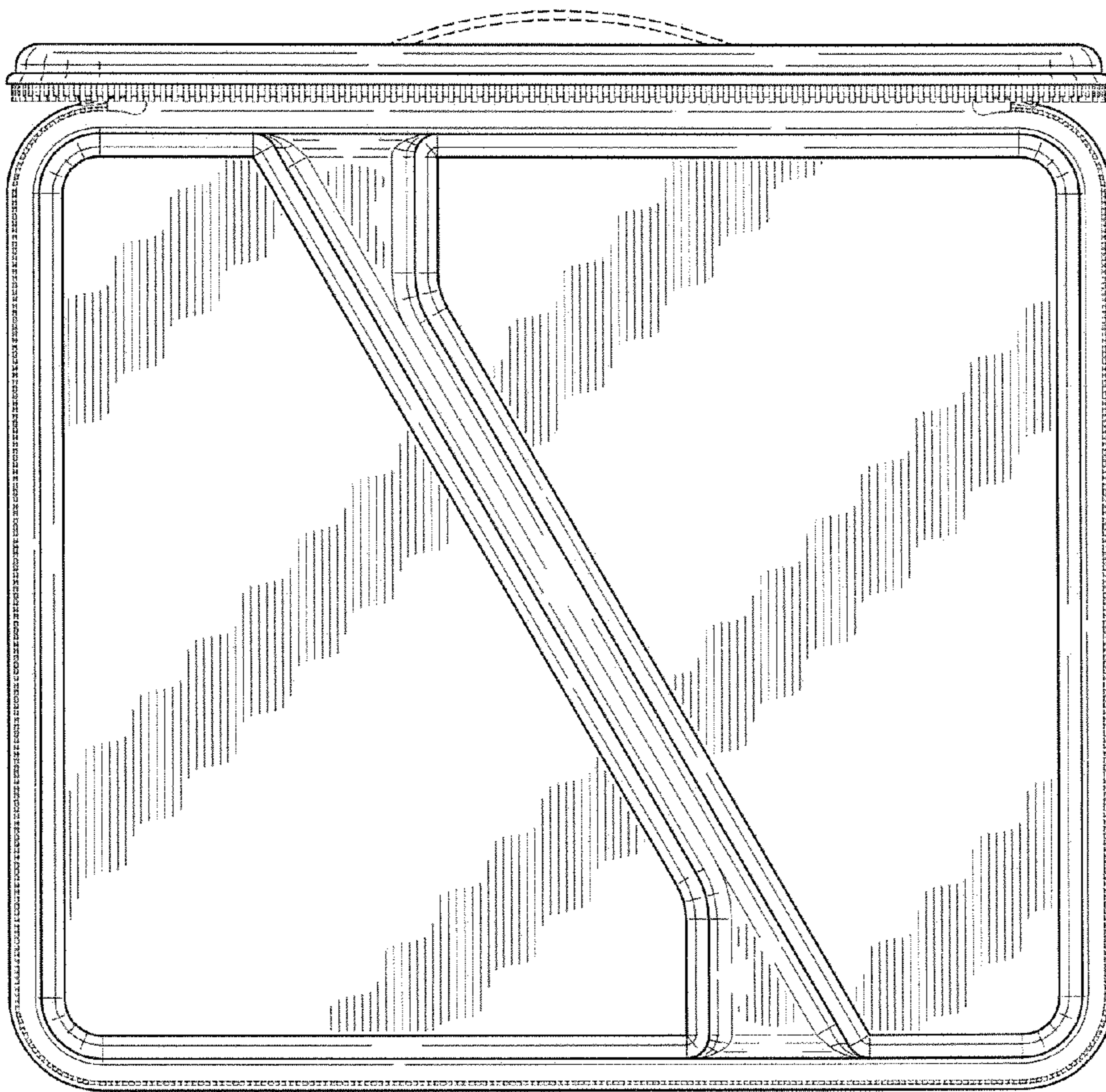


FIG. 3

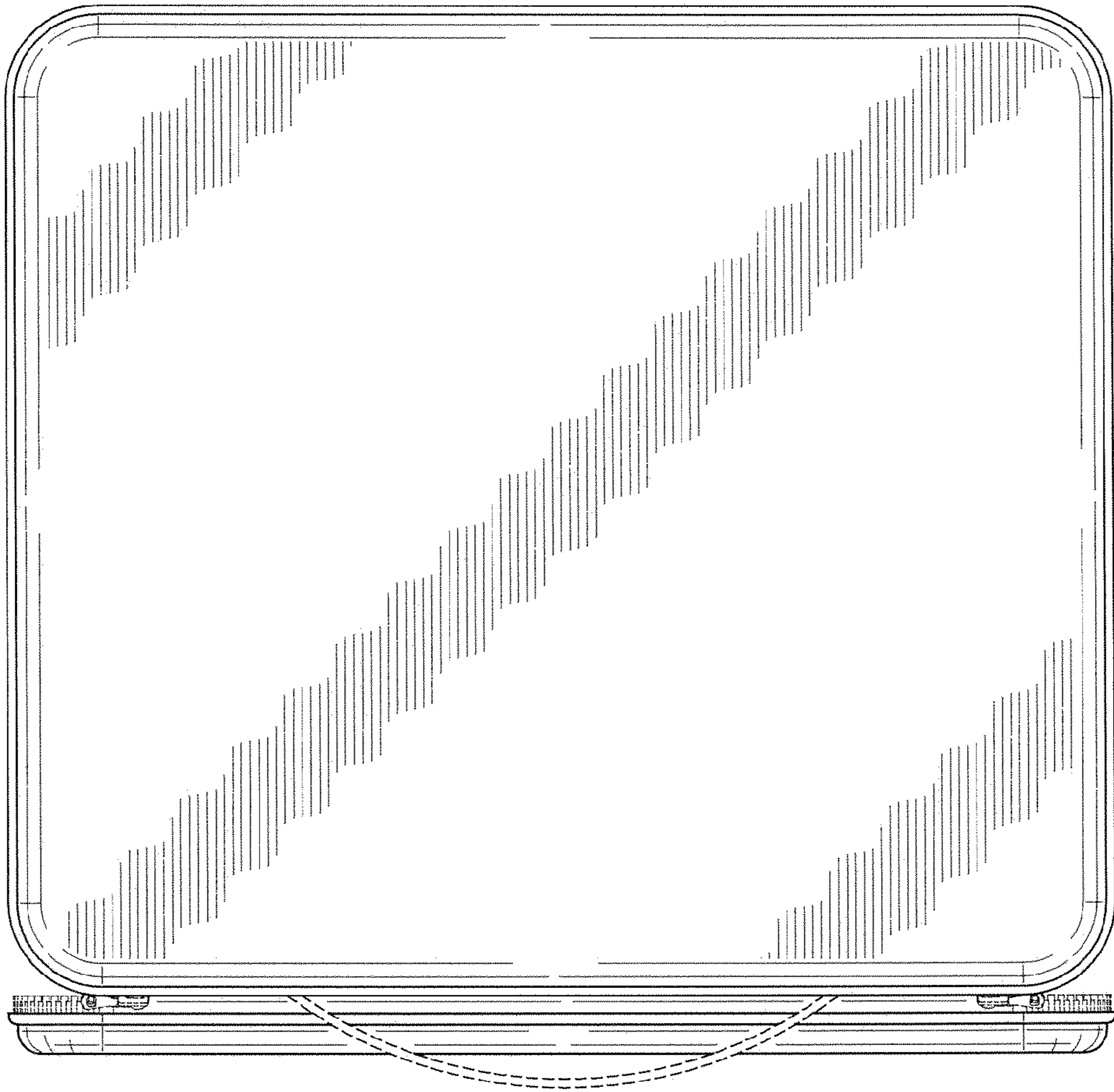


FIG. 4

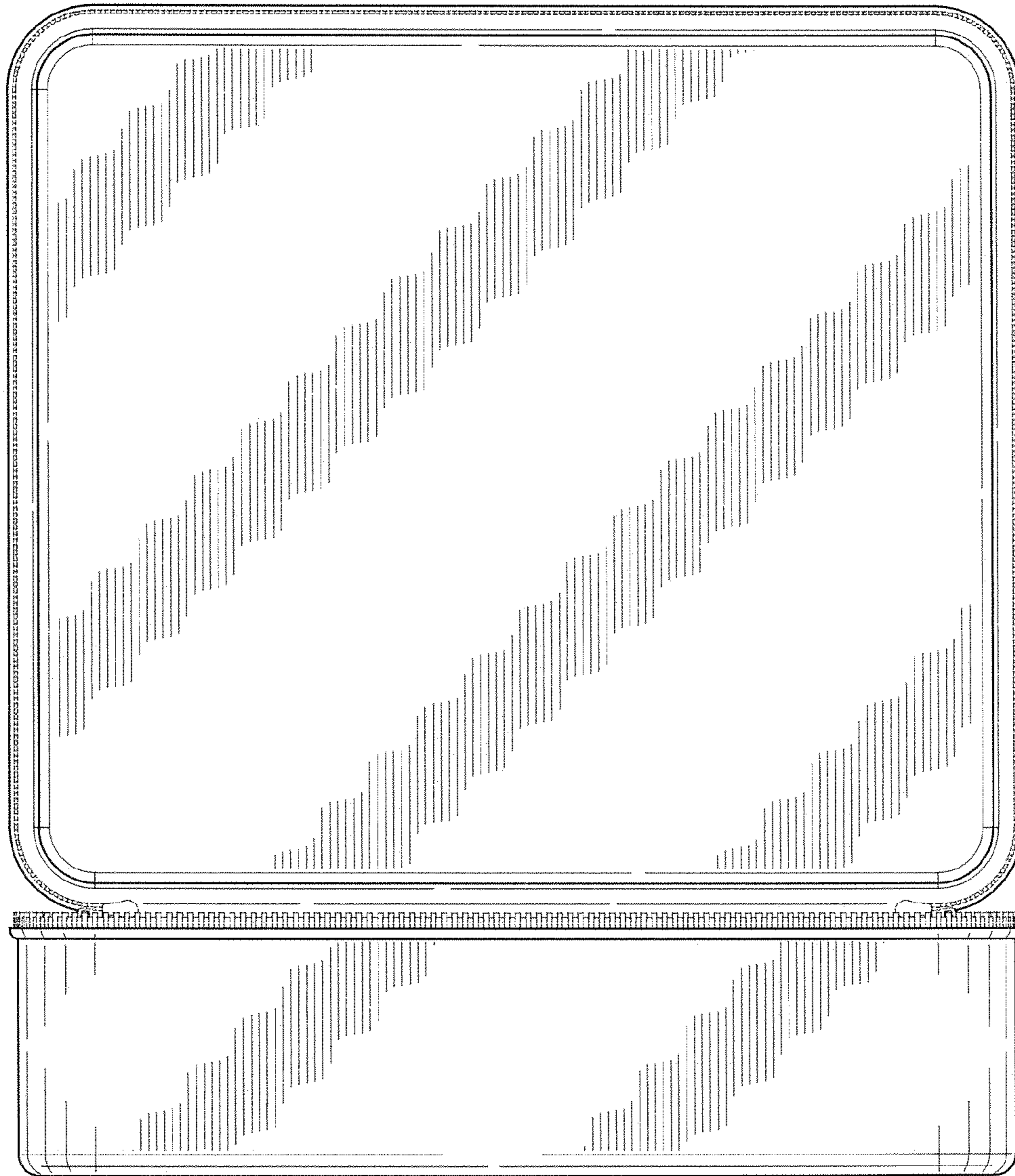


FIG. 5

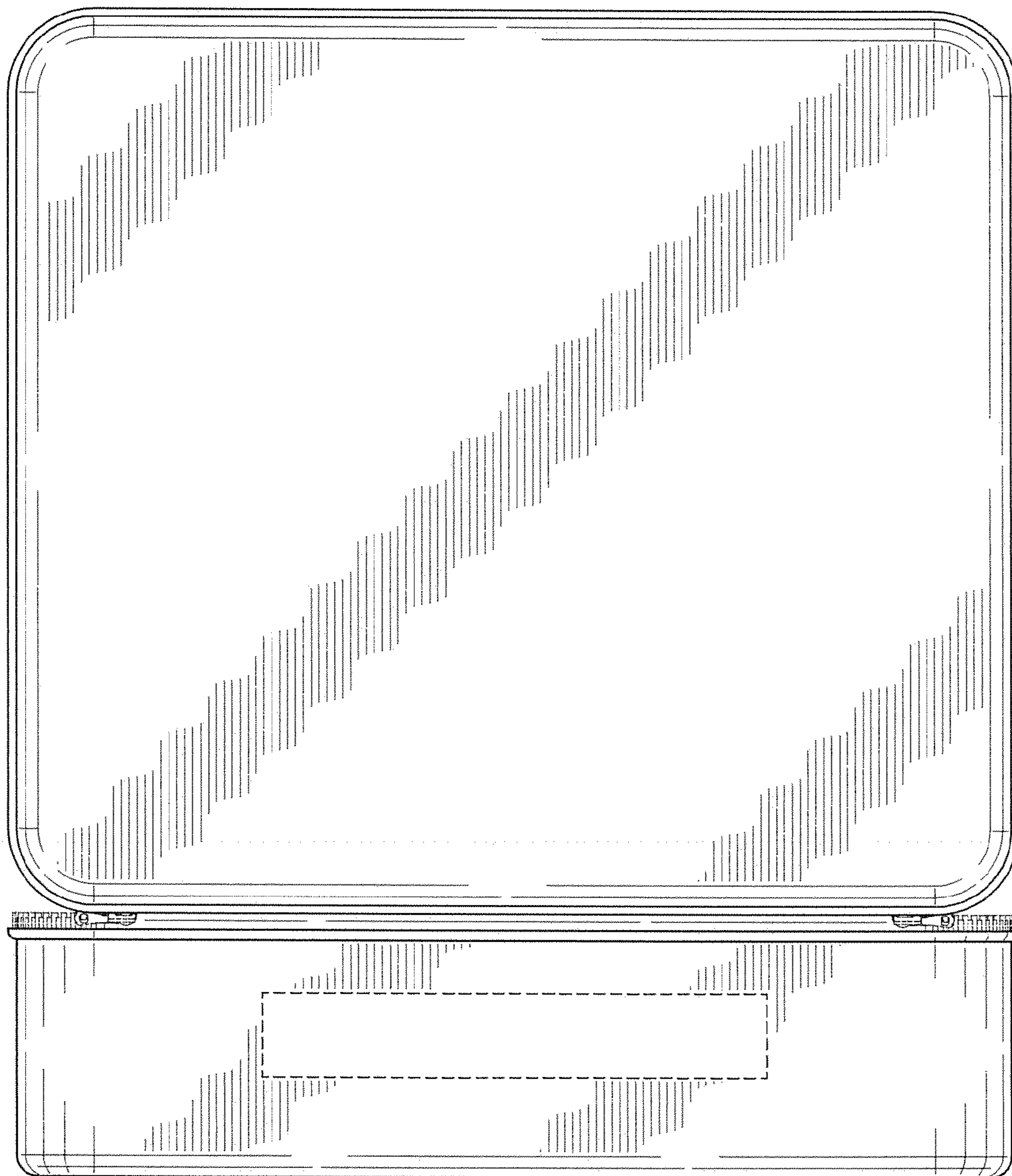


FIG. 6

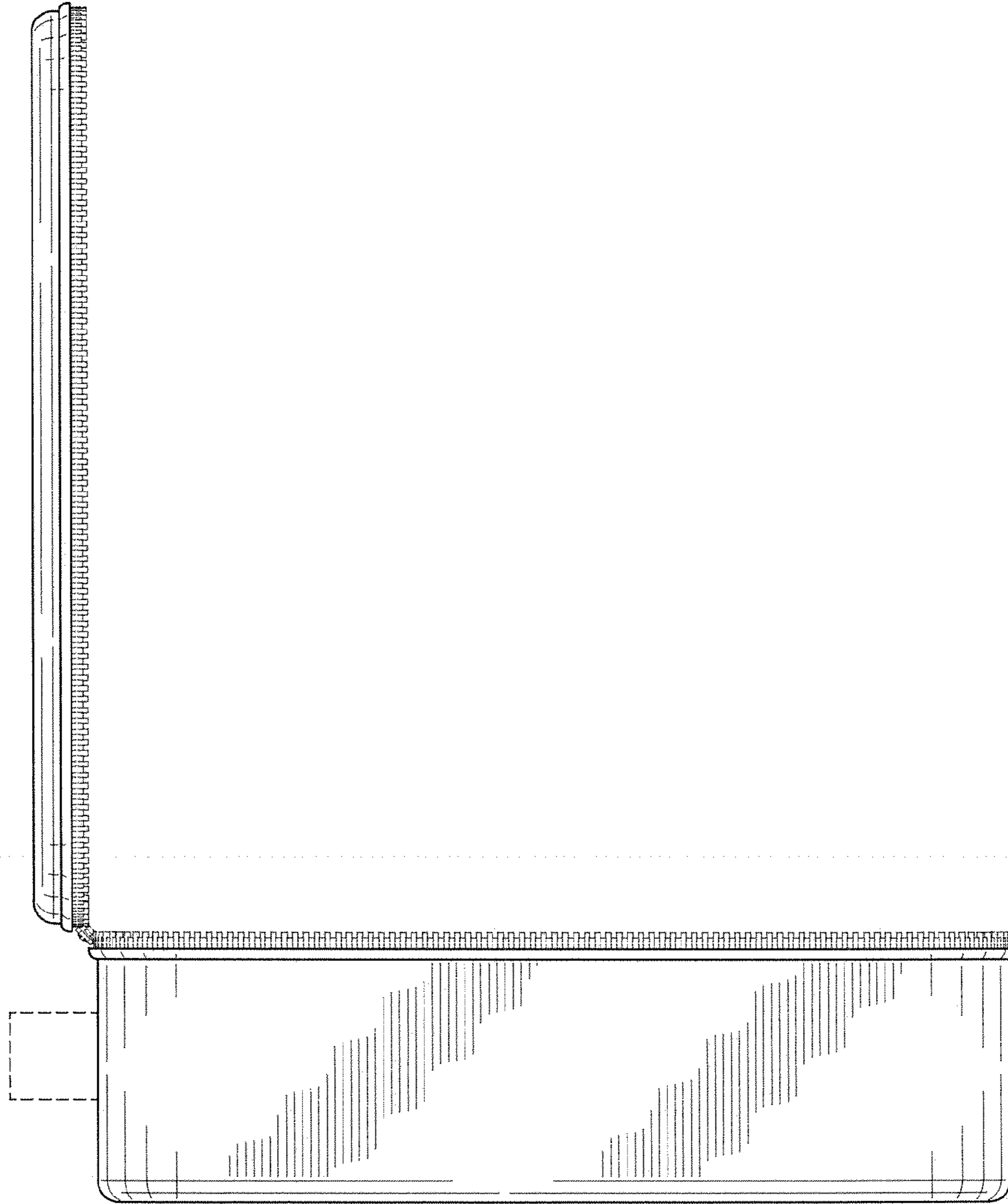


FIG. 7



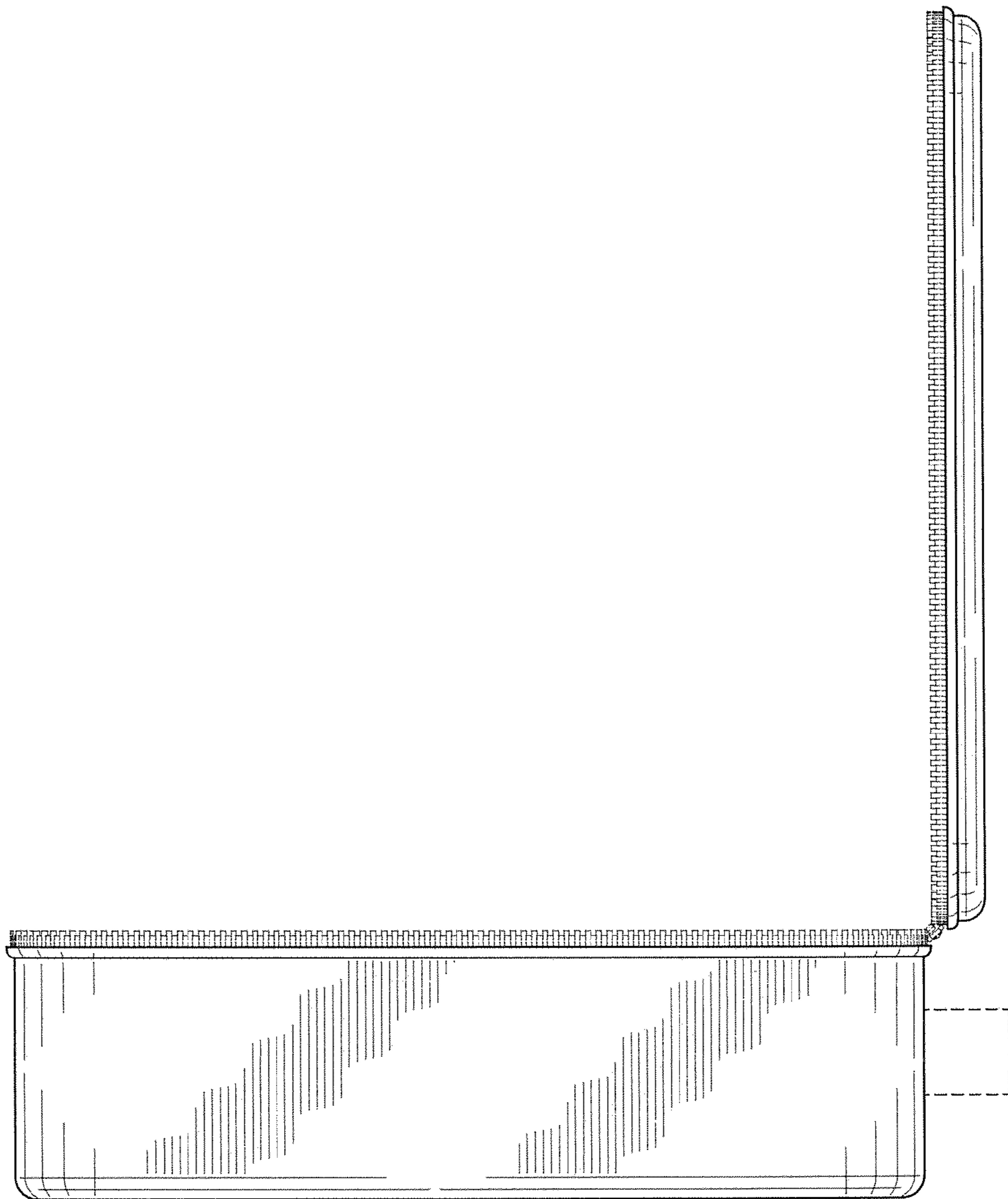


FIG. 8