



US00D779207S

(12) **United States Design Patent** (10) **Patent No.:** **US D779,207 S**
Starck (45) **Date of Patent:** **** Feb. 21, 2017**

(54) **DUFFLE BAG**
(71) Applicant: **Philippe Starck**, Cascais (PT)
(72) Inventor: **Philippe Starck**, Cascais (PT)
(**) Term: **14 Years**
(21) Appl. No.: **29/511,648**
(22) Filed: **Dec. 12, 2014**
(30) **Foreign Application Priority Data**
Jun. 12, 2014 (WO) DM/83794
(51) **LOC (10) Cl.** **03-02**
(52) **U.S. Cl.**
USPC **D3/315**
(58) **Field of Classification Search**
USPC D3/315, 279, 283, 285, 289, 301
CPC ... A45C 13/103; A45C 13/262; A45C 13/385;
A45C 5/14; A45C 2003/008; A45C
2005/035
See application file for complete search history.

(56) **References Cited**
U.S. PATENT DOCUMENTS
D362,548 S * 9/1995 King D3/276
D387,625 S * 12/1997 Kai Fai D3/279
D444,297 S 7/2001 Starck
D444,298 S 7/2001 Starck
D444,945 S 7/2001 Starck
D447,863 S 9/2001 Starck
D448,928 S 10/2001 Starck
6,604,617 B2 * 8/2003 Davis A45C 5/02
190/107
6,883,654 B2 * 4/2005 Godshaw A45C 7/0054
190/107
D645,662 S * 9/2011 Perez D3/216

D647,301 S * 10/2011 Sosnovsky D3/283
D648,533 S * 11/2011 Sosnovsky D3/283
D648,938 S * 11/2011 Meersschaert D3/279
D679,090 S * 4/2013 Du D3/279
D680,739 S * 4/2013 Hock D3/289
D685,575 S * 7/2013 Cullen D3/272
D688,455 S * 8/2013 Boldetti D3/279
D688,457 S * 8/2013 Harris D3/285
D688,458 S * 8/2013 Harris D3/285
D719,353 S * 12/2014 Tan D3/315
D723,277 S * 3/2015 Van Migem D3/315
D723,278 S * 3/2015 Van Migem D3/315
2005/0034947 A1 * 2/2005 Nykoluk A45C 13/385
190/18 A
2006/0254952 A1 * 11/2006 Trevino A45C 5/06
206/581

(Continued)

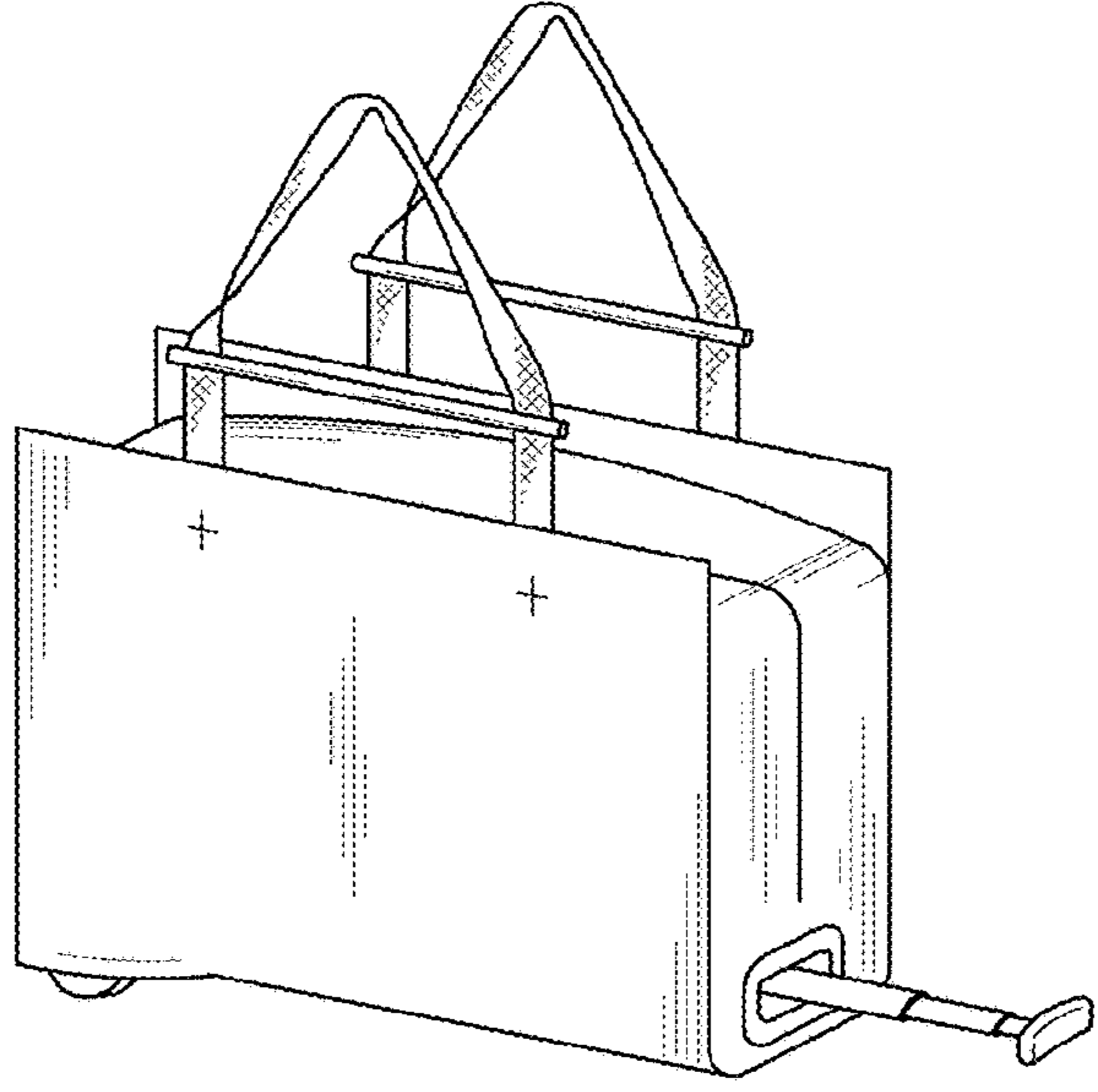
Primary Examiner — Charles Hanson
(74) *Attorney, Agent, or Firm* — Blue Filament Law
PLLC; Avery N. Goldstein

(57) **CLAIM**
The ornamental design for a duffle bag, as shown and described.

DESCRIPTION

FIG. 1 is a front perspective view of a duffle bag with a partially telescoped grip;
FIG. 2 is a front view of the duffle bag depicted in FIG. 1;
FIG. 3 is a back view of the duffle bag depicted in FIG. 1;
FIG. 4 is a right side view of the duffle bag depicted in FIG. 1;
FIG. 5 is a left side view of the duffle bag depicted in FIG. 1;
FIG. 6 is a top view with the handles in an open position; and,
FIG. 7 is a bottom view of the duffle bag depicted in FIG. 1.

1 Claim, 2 Drawing Sheets



(56)

References Cited

U.S. PATENT DOCUMENTS

2012/0006640 A1* 1/2012 Santy A45C 5/14
190/18 A

* cited by examiner

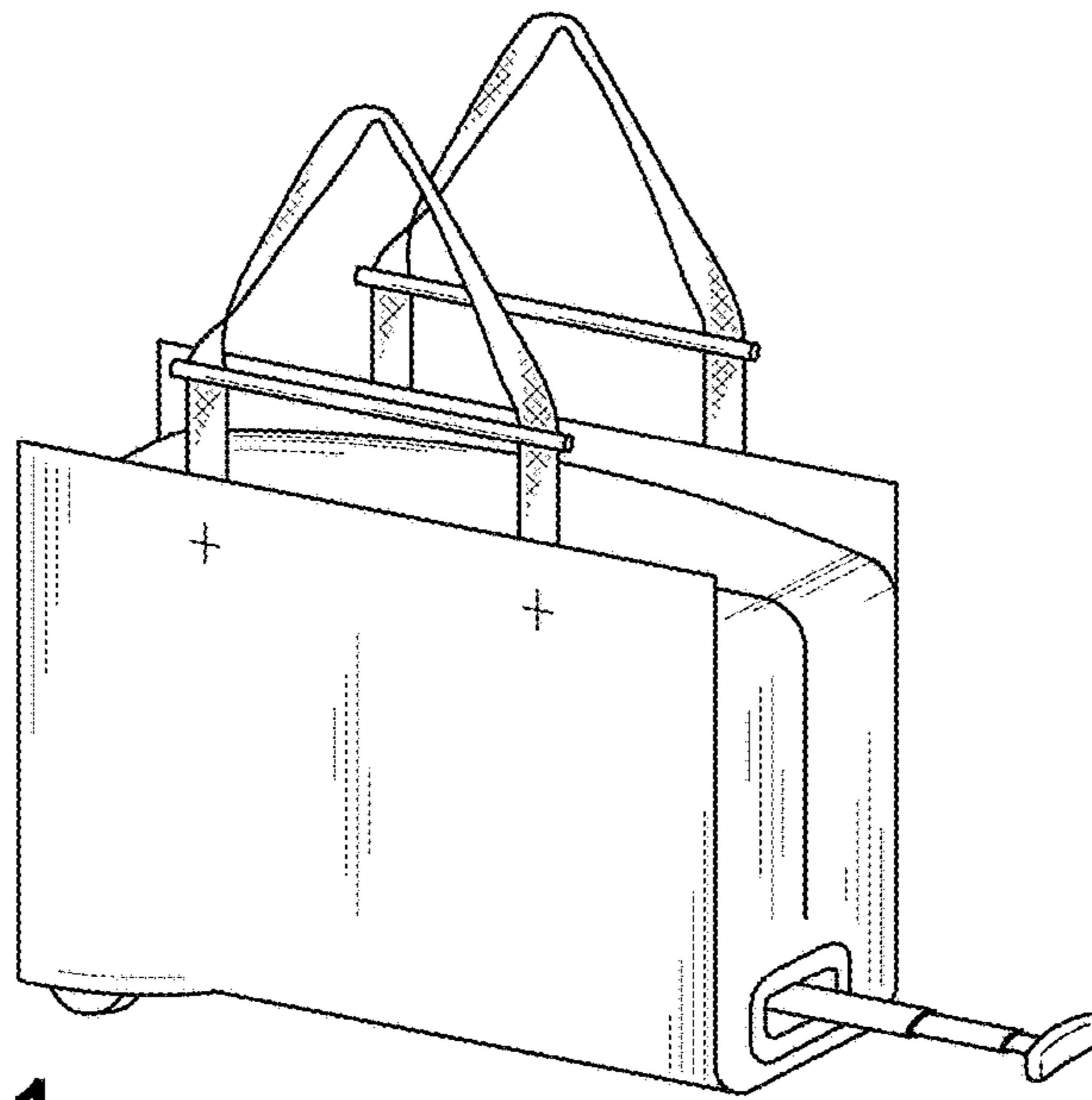


FIG. 1

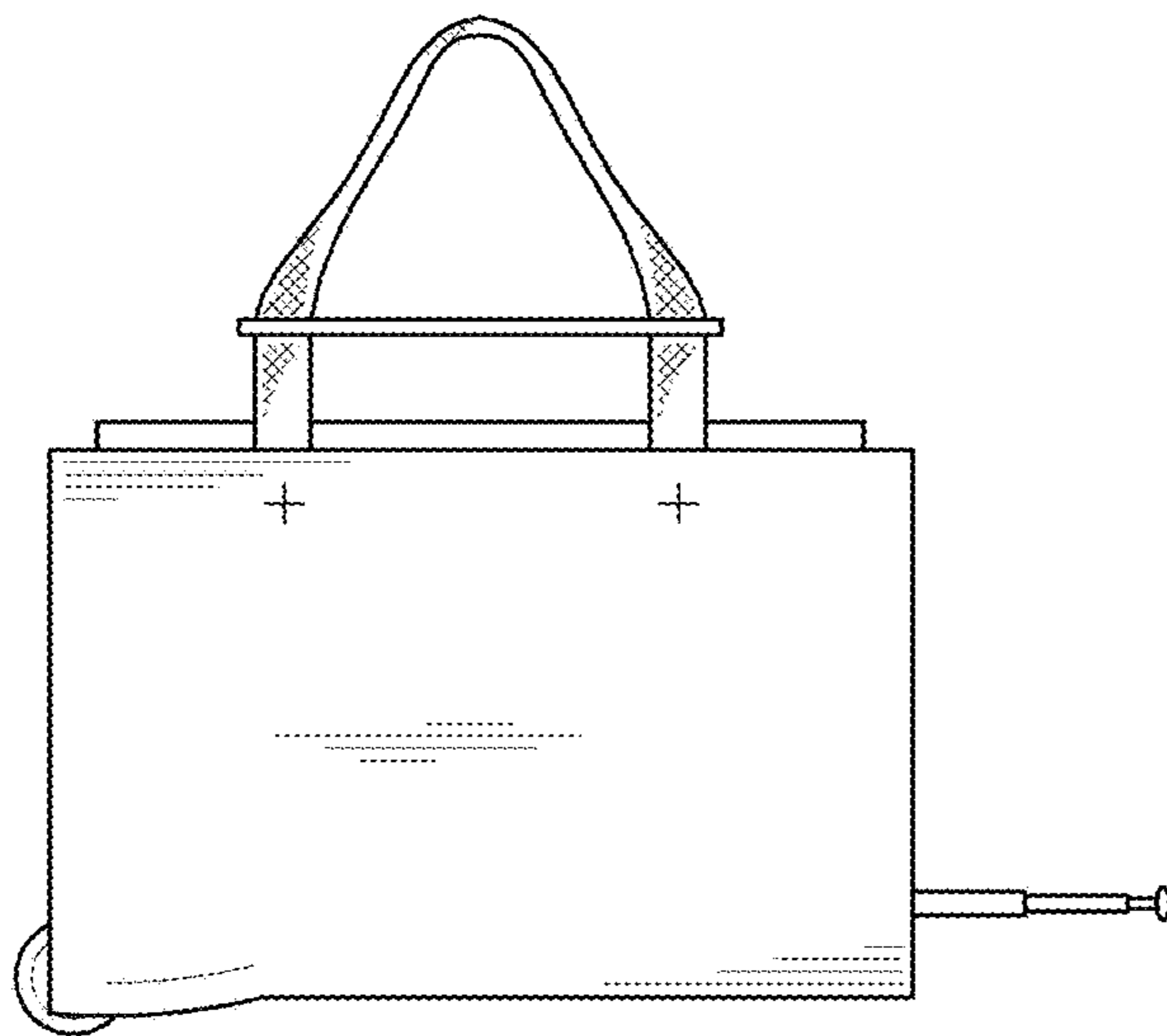


FIG. 2

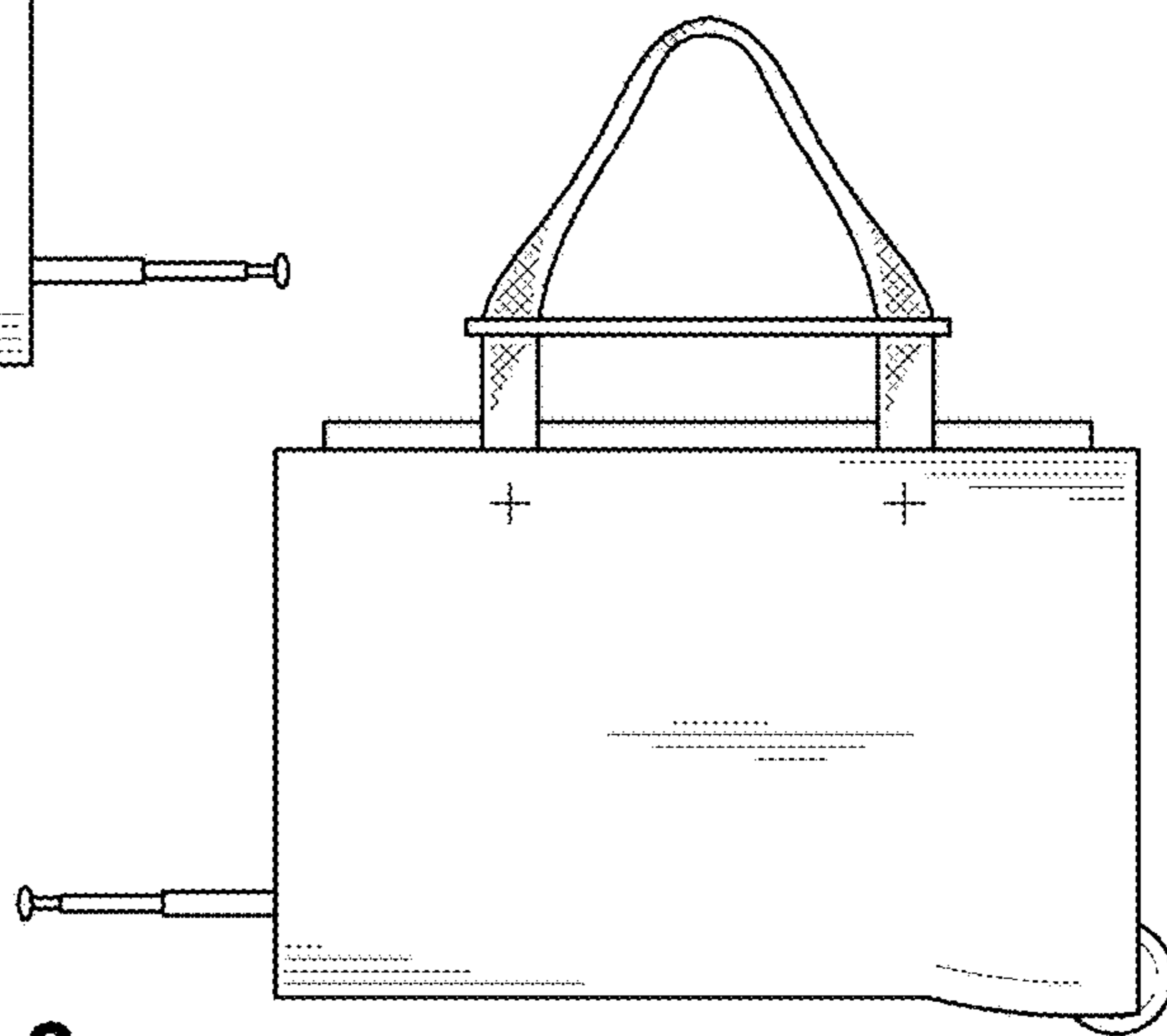


FIG. 3

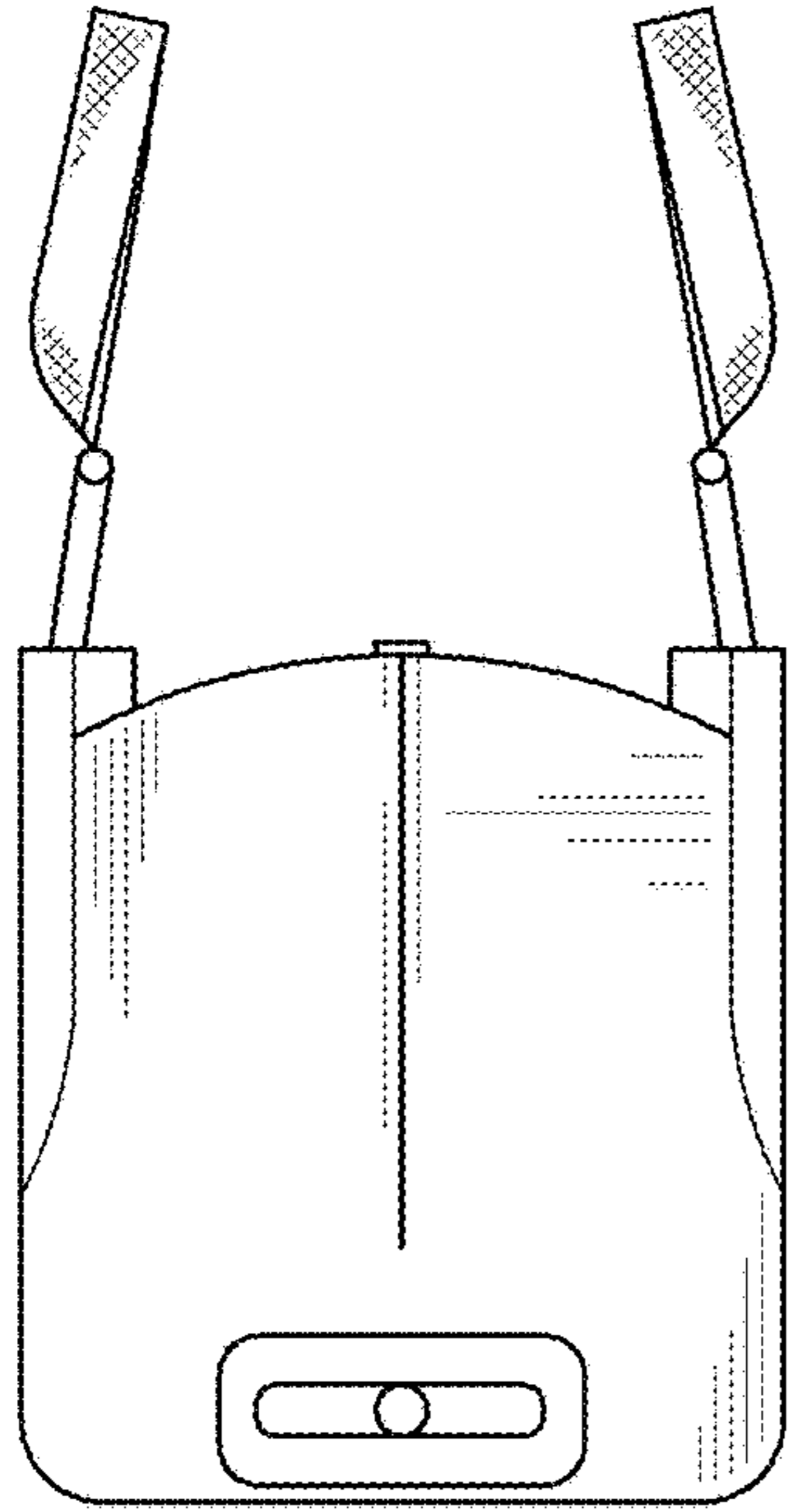


FIG. 4

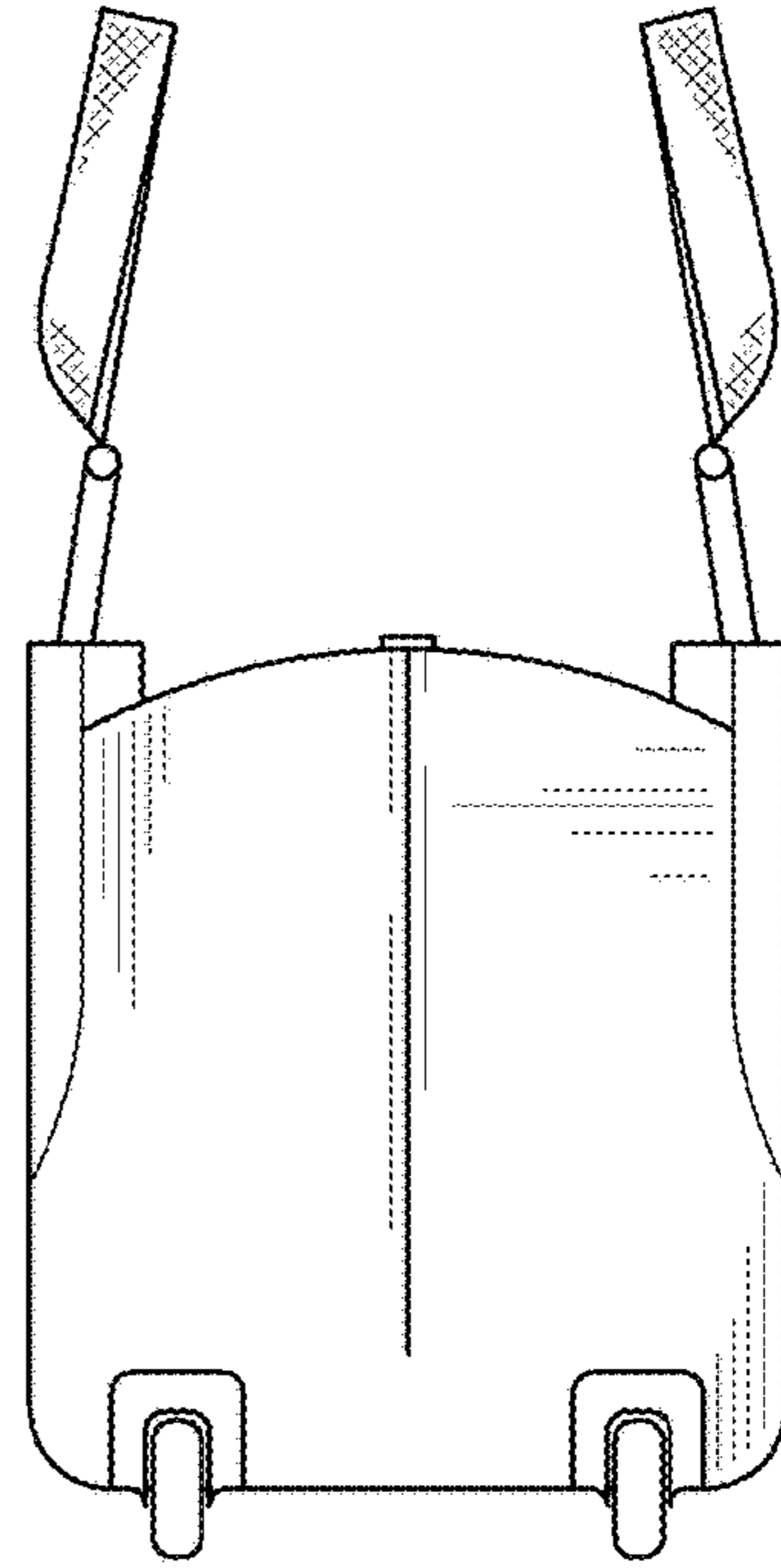


FIG. 5

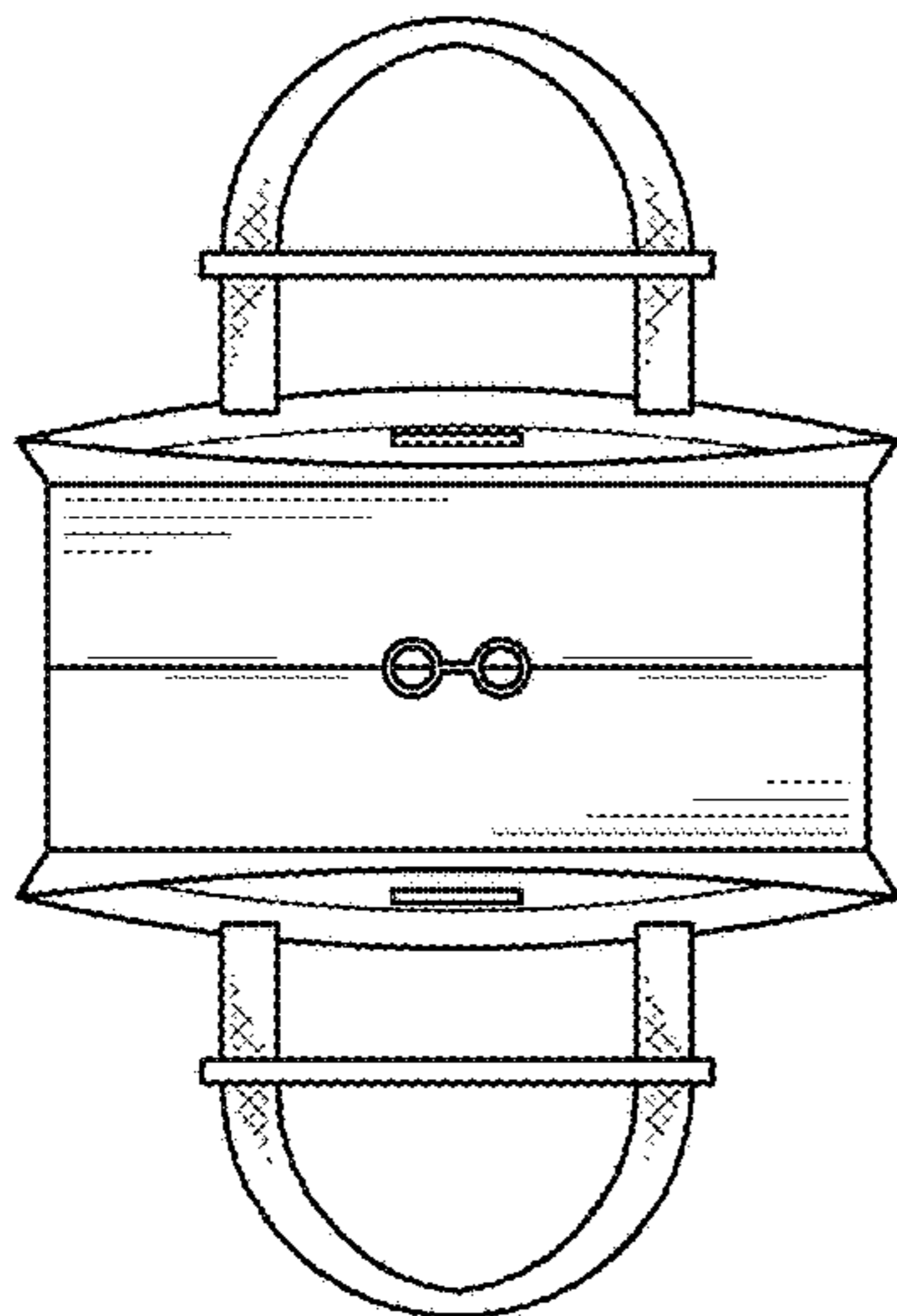


FIG. 6

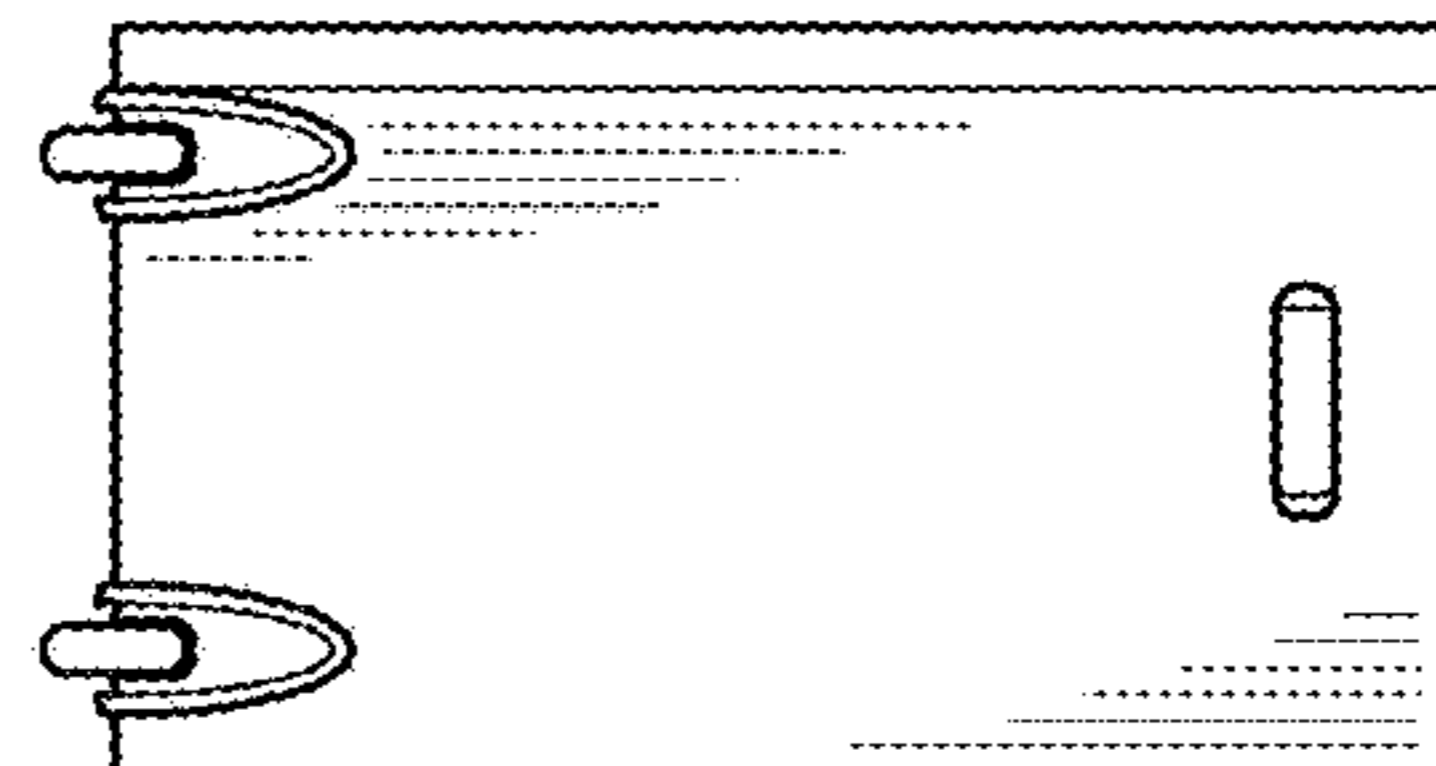


FIG. 7