



US00D779205S

(12) **United States Design Patent**  
**Lawrenson**

(10) **Patent No.:** **US D779,205 S**

(45) **Date of Patent:** **\*\* Feb. 21, 2017**

(54) **BOX**

(71) Applicant: **Lindi Jean Lawrenson**, Jersey (GB)

(72) Inventor: **Lindi Jean Lawrenson**, Jersey (GB)

(\*\*) Term: **14 Years**

(21) Appl. No.: **29/525,703**

(22) Filed: **May 1, 2015**

(51) **LOC (10) Cl.** ..... **03-01**

(52) **U.S. Cl.**

USPC ..... **D3/299**

(58) **Field of Classification Search**

USPC ..... D3/273, 274, 275, 276, 281, 284, 292,  
D3/294, 295, 296, 297, 299, 905, 901,  
D3/903, 205, 203.1, 279, 282, 242, 301,  
D3/302; D9/414, 418, 420-423, 425, 428  
CPC ..... A45C 5/00; A45C 5/04; A45C 11/00;  
A45C 11/16

See application file for complete search history.

(56) **References Cited**

**U.S. PATENT DOCUMENTS**

D35,418 S	*	12/1901	Witt et al.	.....	D19/90
D194,525 S	*	2/1963	D'Arcy	.....	D19/90
D205,481 S	*	8/1966	Braun	.....	D3/294
D267,836 S	*	2/1983	Benichou	.....	D19/76
D330,328 S	*	10/1992	DiSesa, Jr.	.....	D3/294
D469,253 S	*	1/2003	Lewis	.....	D3/294
D477,463 S	*	7/2003	Leen	.....	D3/294
D480,561 S	*	10/2003	Simon	.....	D3/294

D481,533 S	*	11/2003	McGillivray	.....	D3/206
D502,811 S	*	3/2005	Premper	.....	D3/273
D537,621 S	*	3/2007	Rosen	.....	D3/206
D676,238 S	*	2/2013	Wu	.....	D3/294
D713,144 S	*	9/2014	Gorick	.....	D3/295

\* cited by examiner

*Primary Examiner* — Sandra Snapp

*Assistant Examiner* — Holly E Thurman

(74) *Attorney, Agent, or Firm* — King & Schickli, PLLC

(57) **CLAIM**

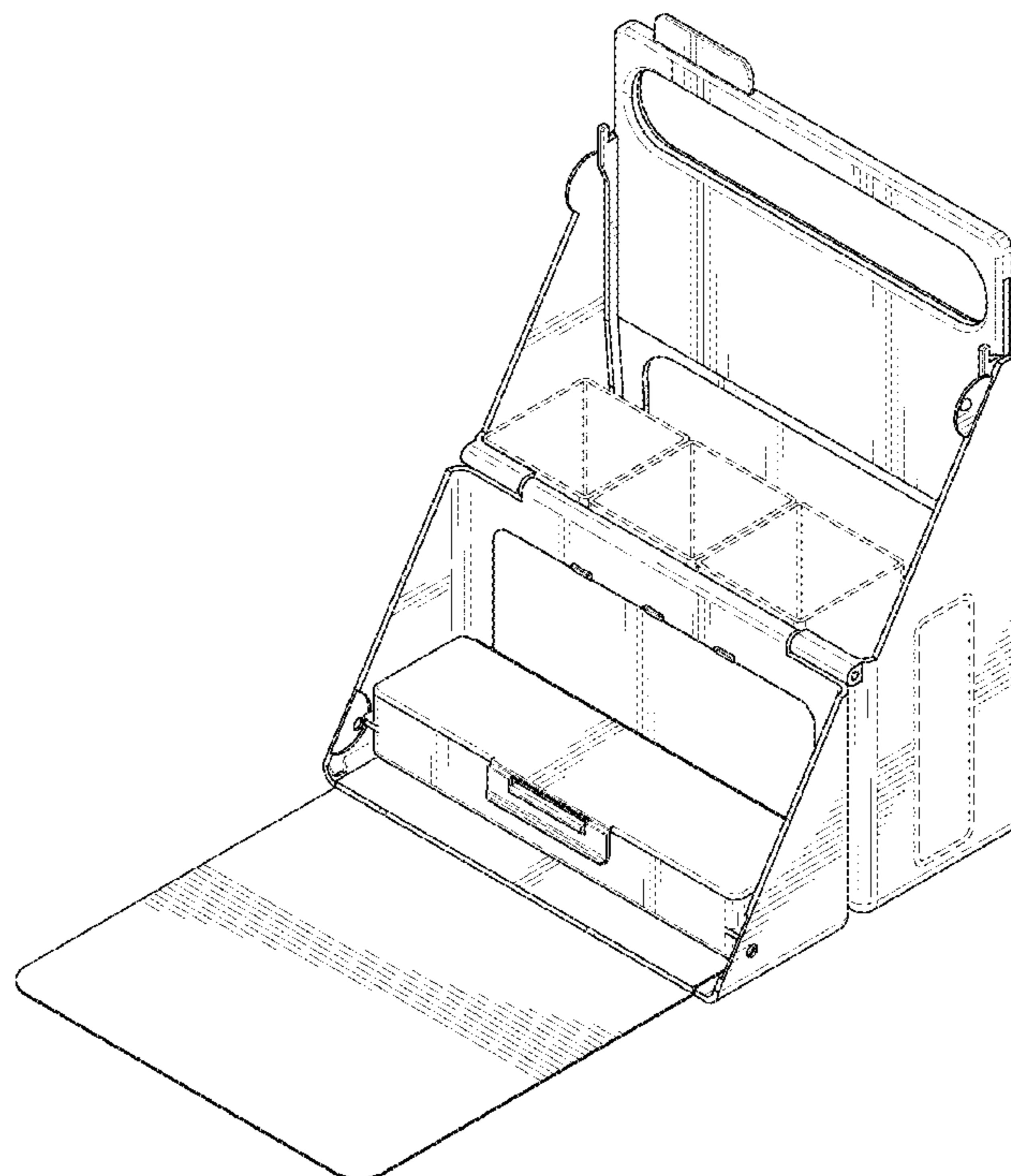
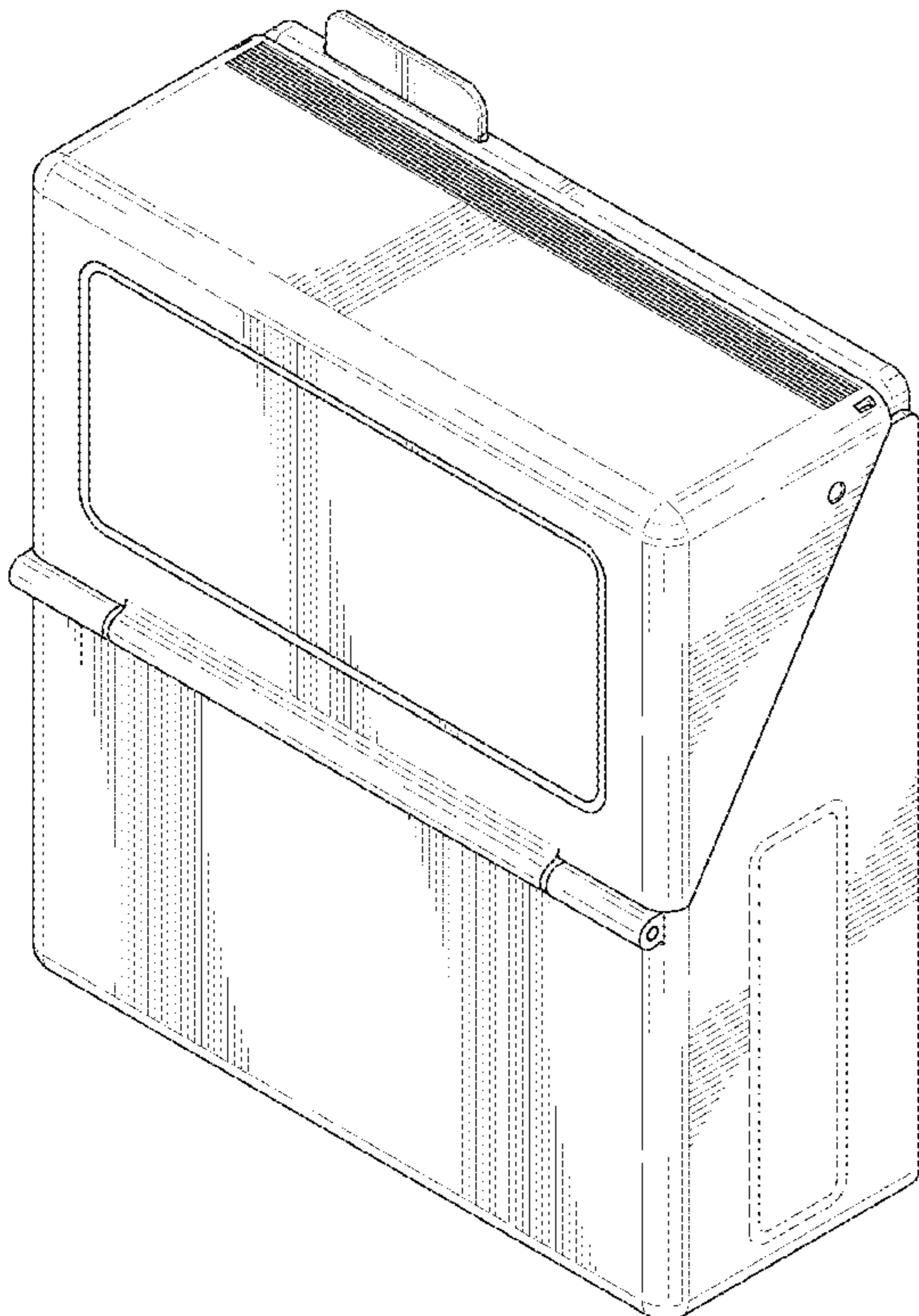
The ornamental design for a box, as shown and described.

**DESCRIPTION**

FIG. 1 is a perspective view of the box in a closed condition; FIG. 2 is a front view of the box of FIG. 1; FIG. 3 is a right side view of the box of FIG. 1; FIG. 4 is a rear view of the box of FIG. 1; FIG. 5 is a top view of the box of FIG. 1; FIG. 6 is a bottom view of the box of FIG. 1; FIG. 7 is a perspective view of the box in an open condition; FIG. 8 is a front view of the box of FIG. 7; FIG. 9 is a right side view of the box of FIG. 7; FIG. 10 is a rear view of the box of FIG. 7; FIG. 11 is a top view of the box of FIG. 7; and, FIG. 12 is a bottom view of the box of FIG. 7.

The broken lines immediately adjacent shaded surfaces represent boundaries of the claimed design; all other broken lines depict unclaimed environmental subject matter. All broken lines form no part of the claimed design.

**1 Claim, 8 Drawing Sheets**



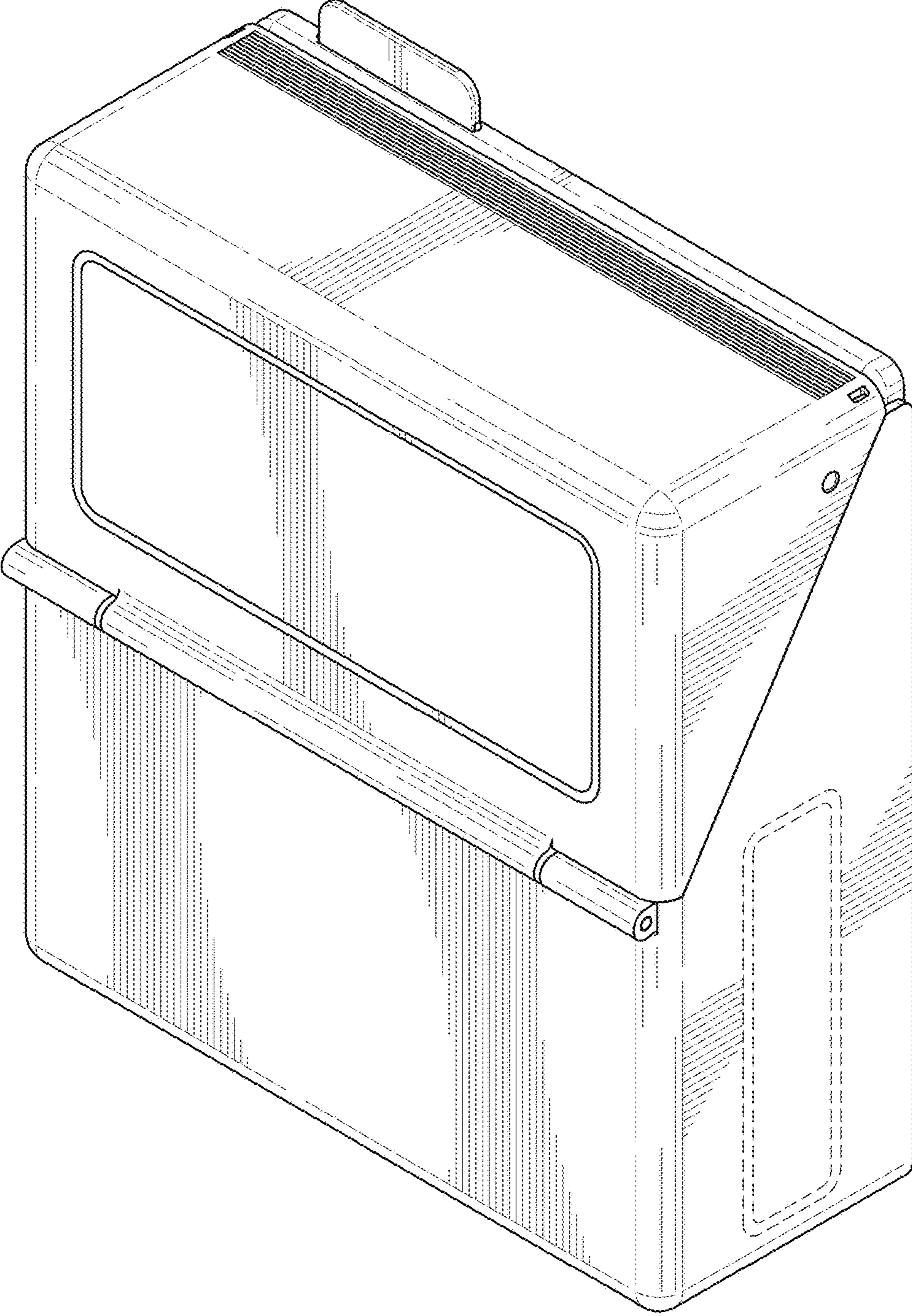


FIG. 1

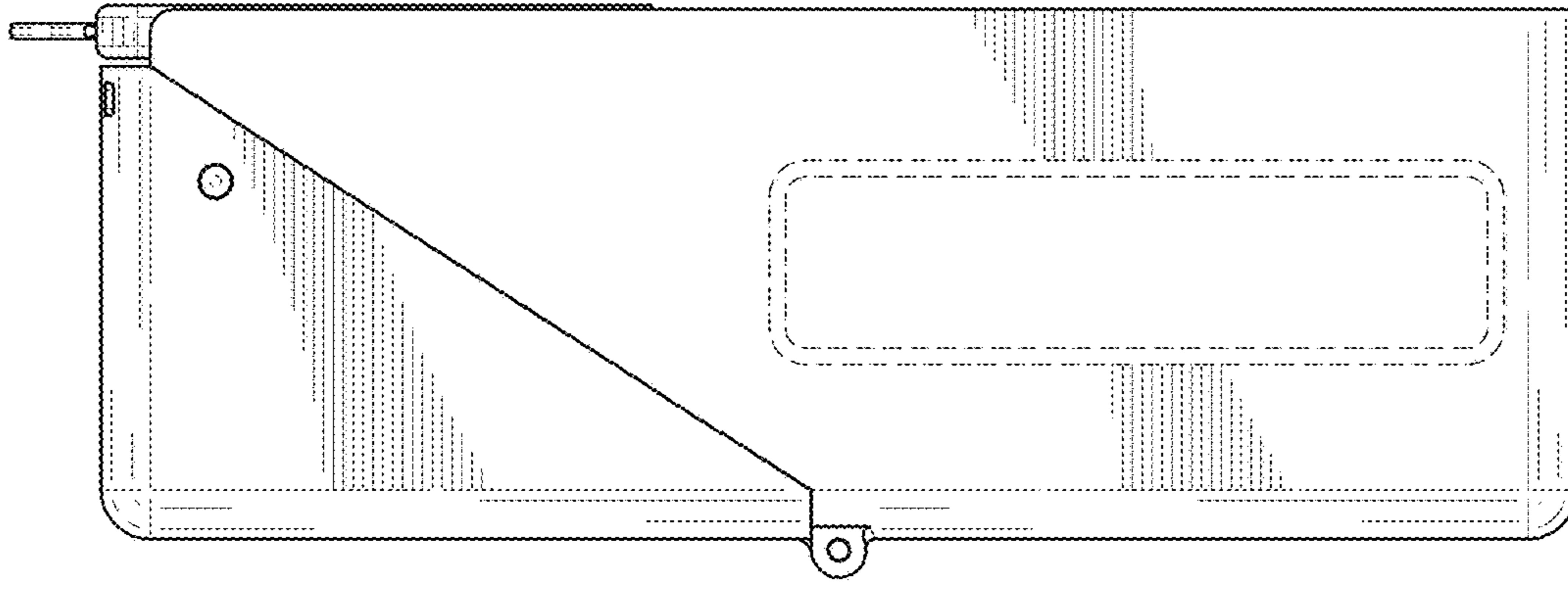


FIG. 3

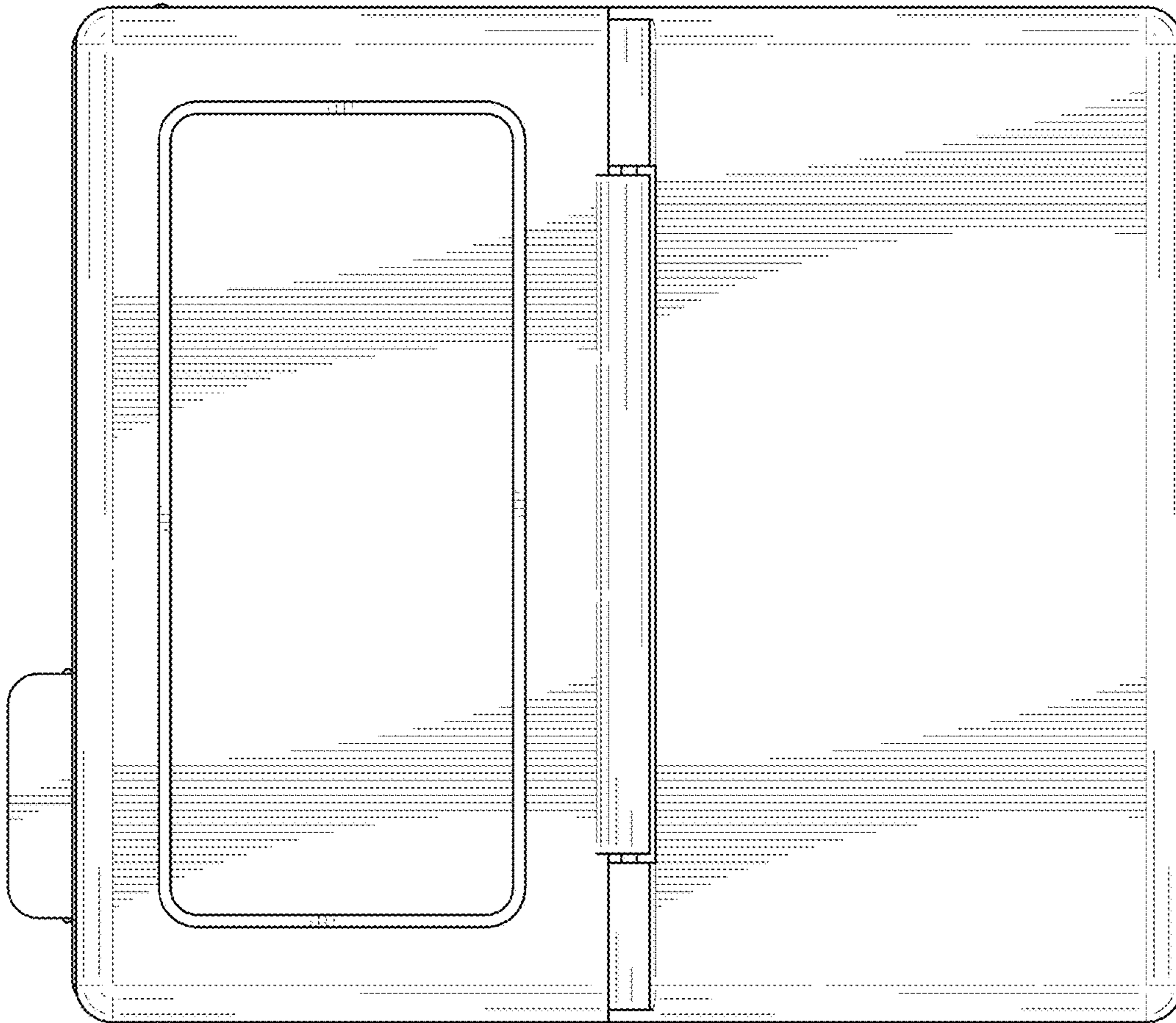


FIG. 2

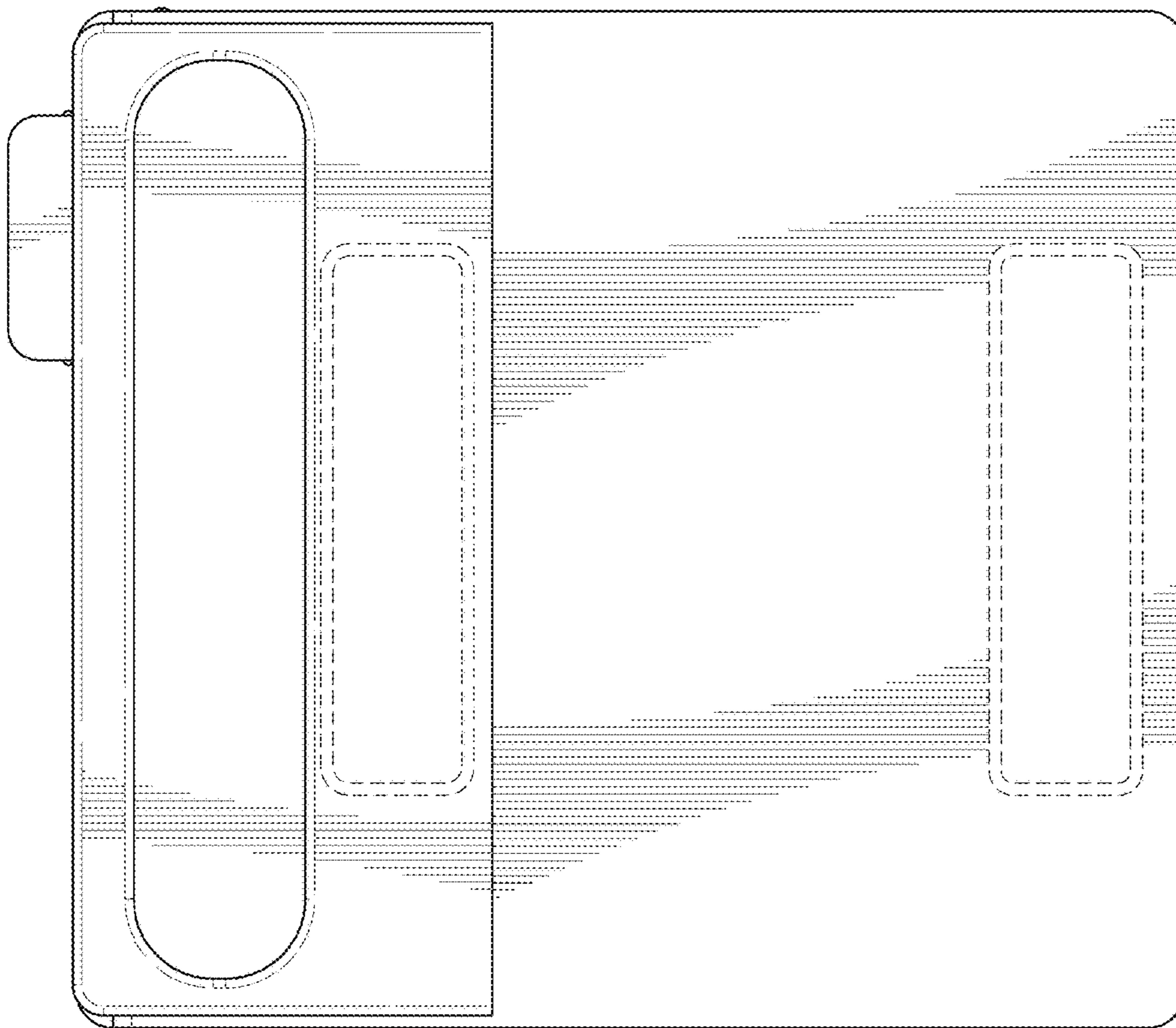


FIG. 4

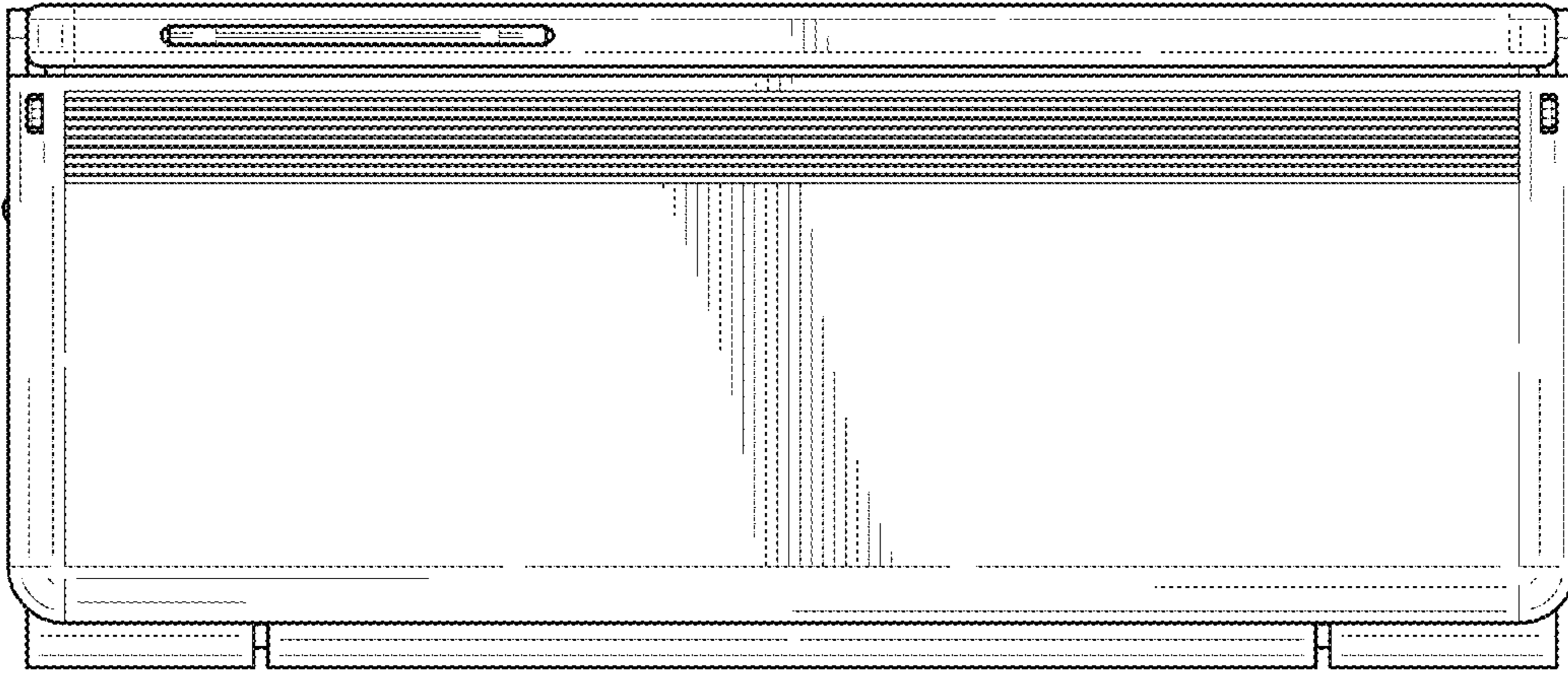


FIG. 5

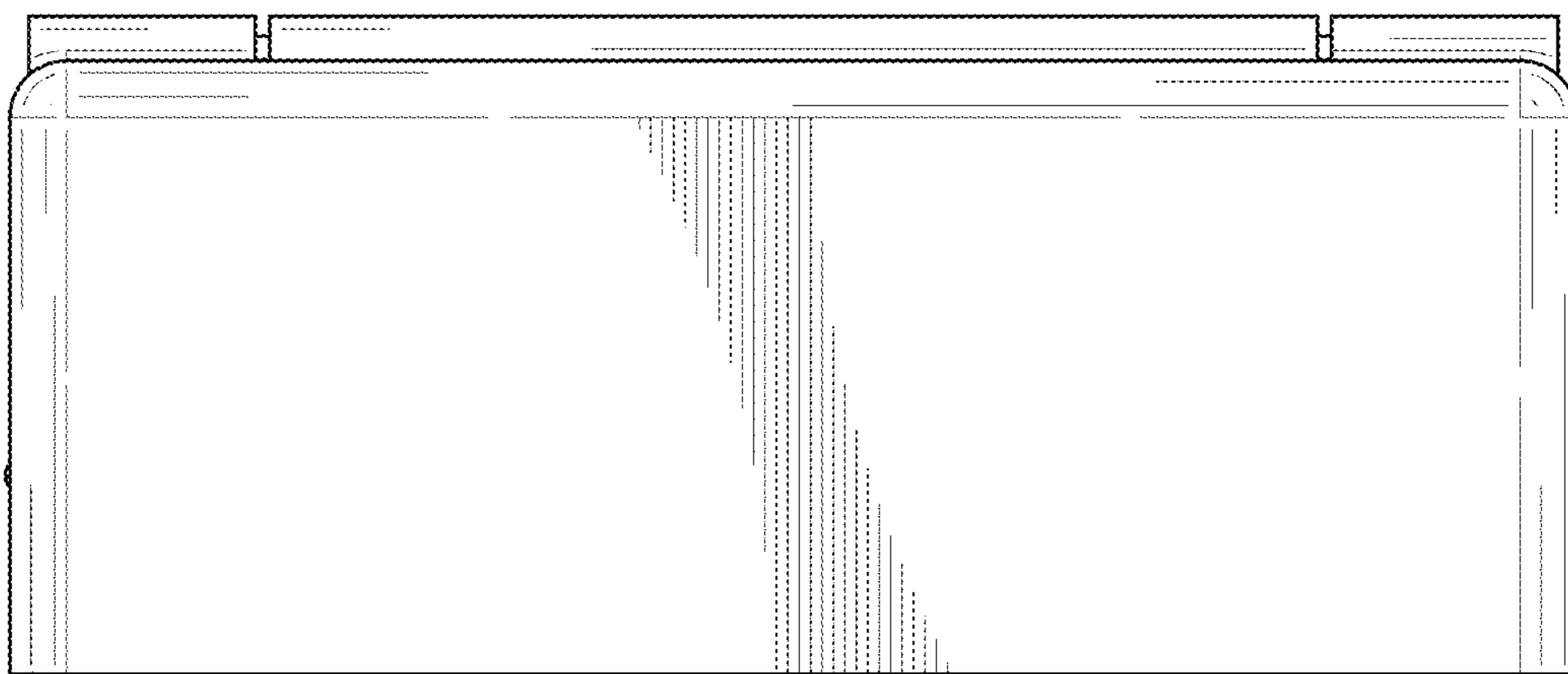


FIG. 6

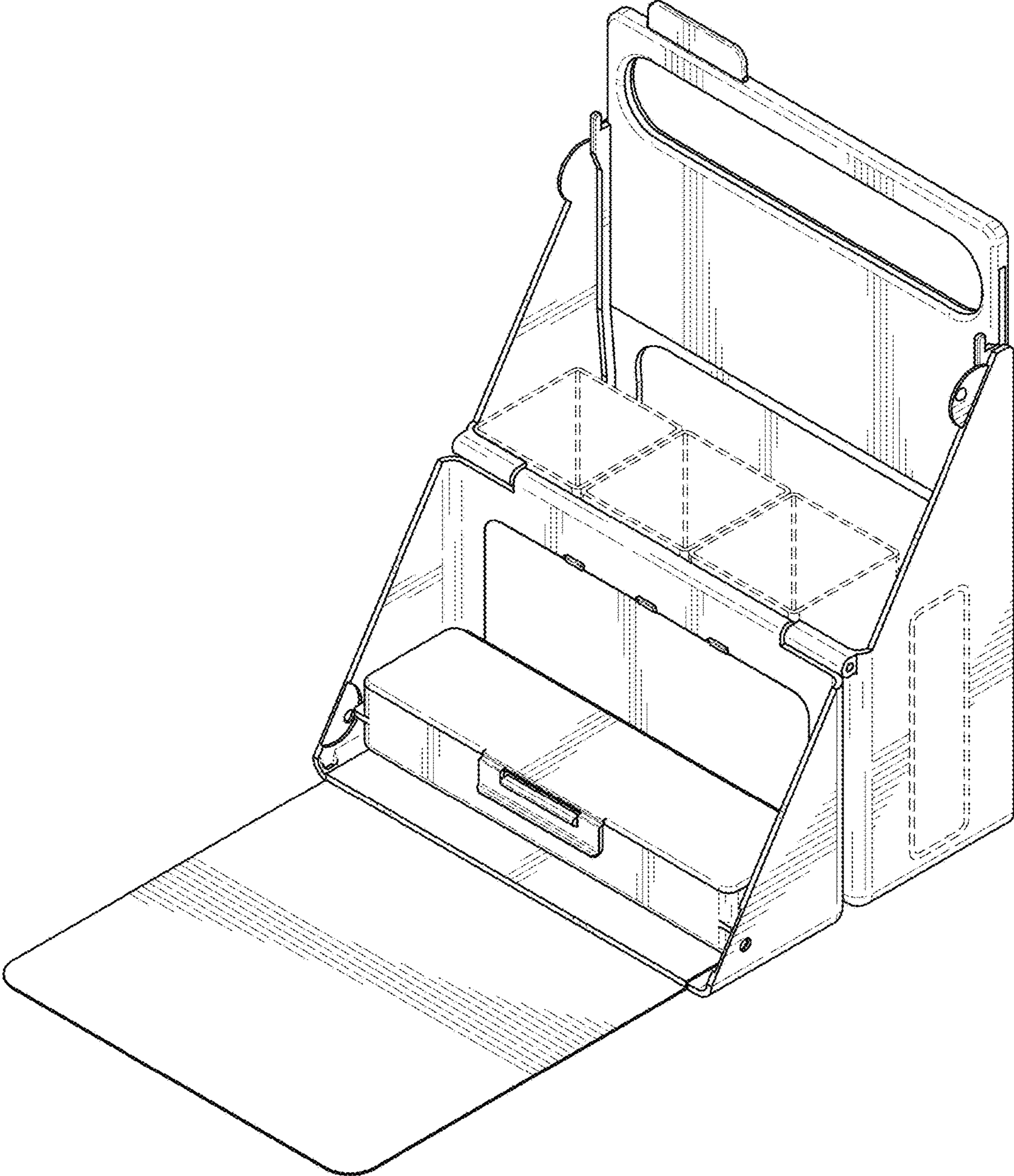


FIG. 7

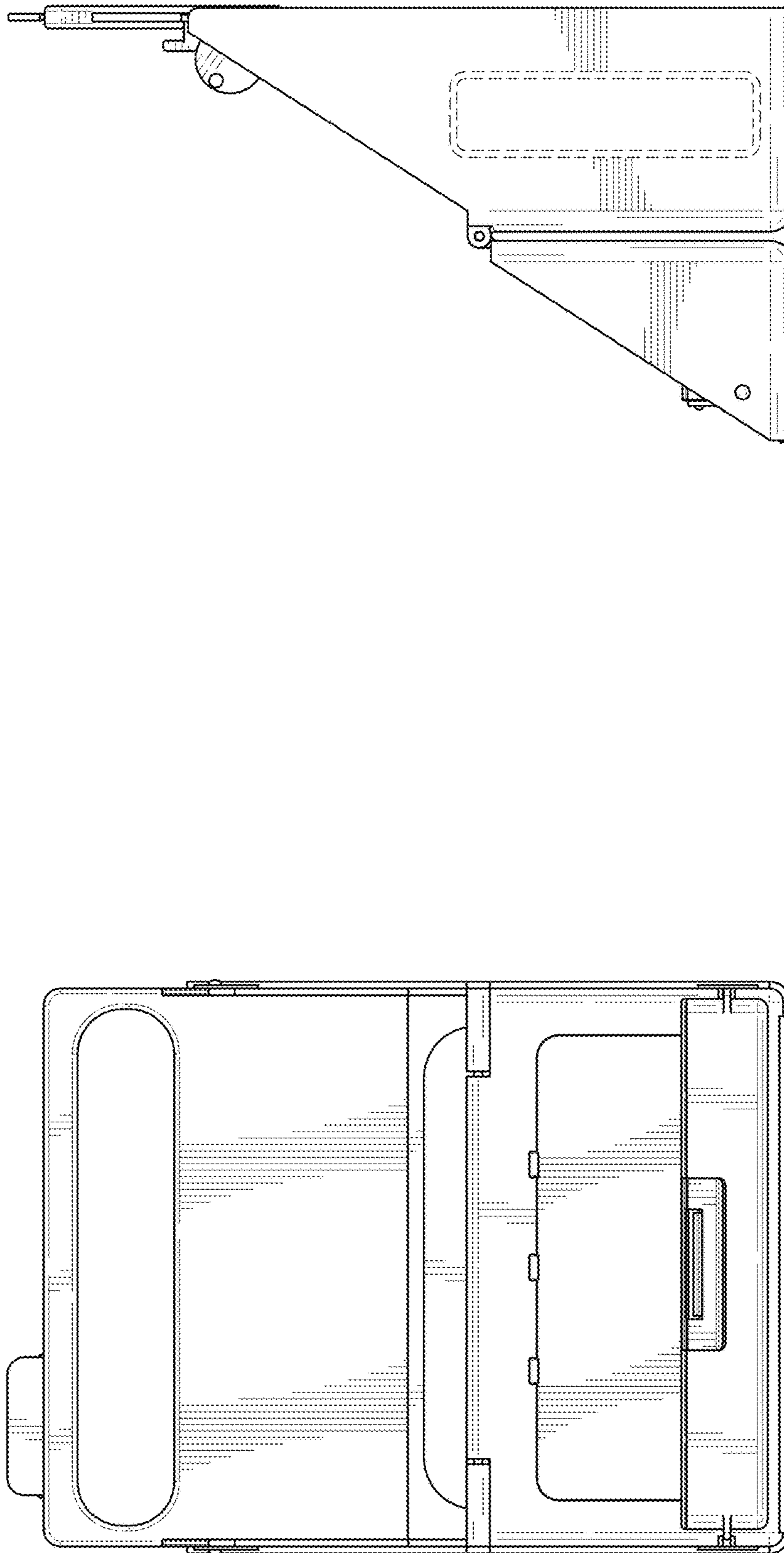


FIG. 9

FIG. 8

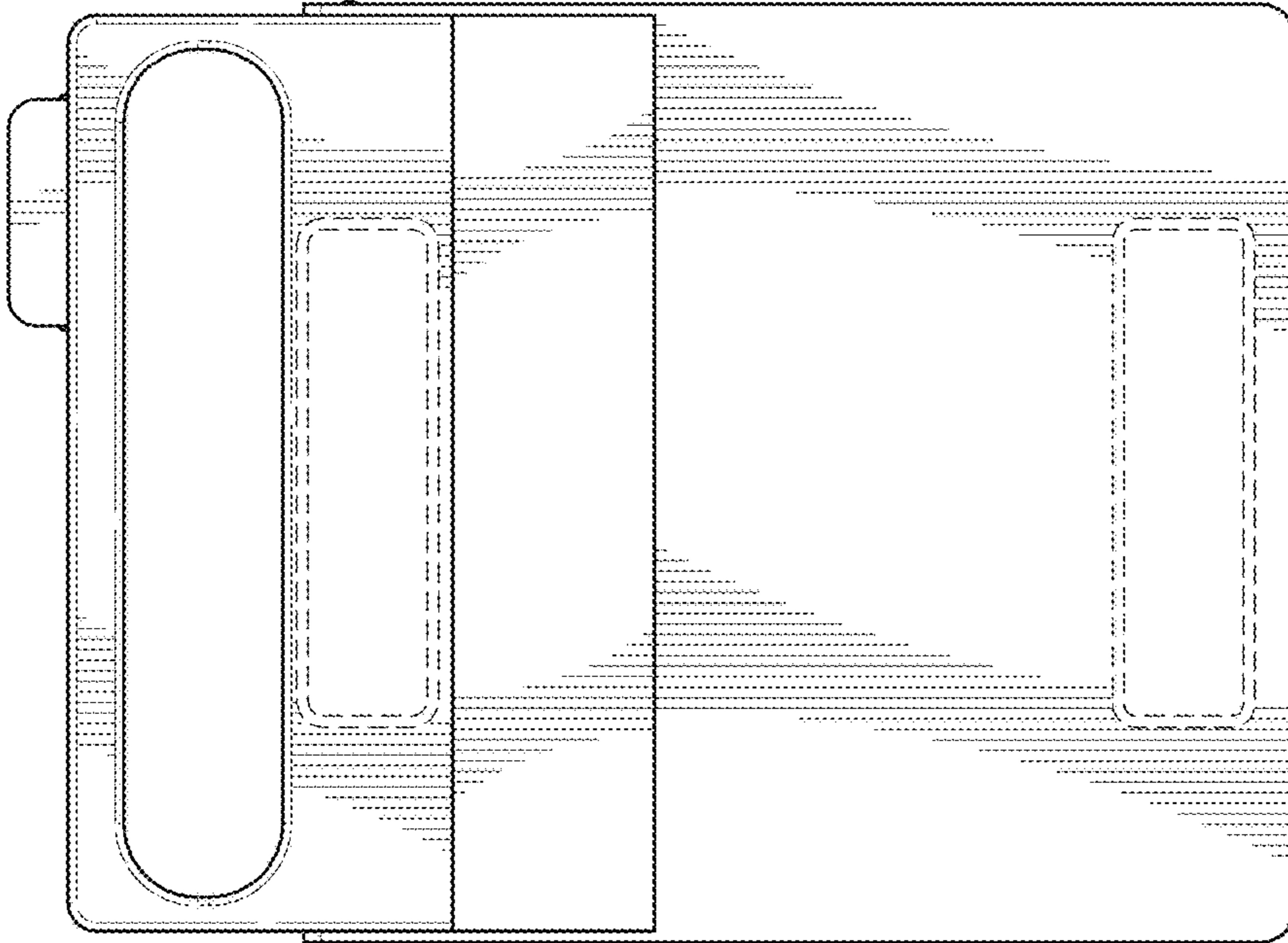


FIG. 10



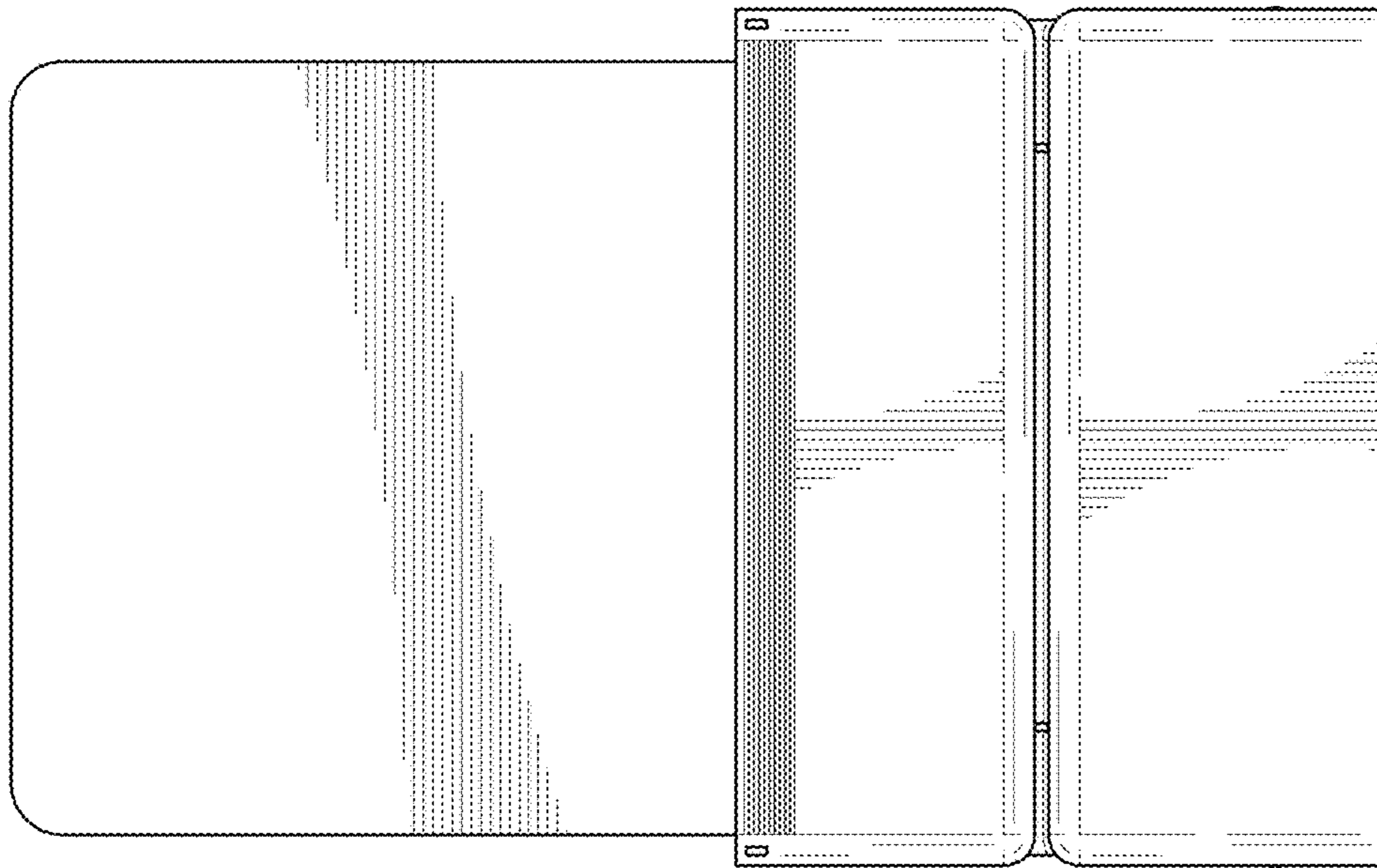


FIG. 12

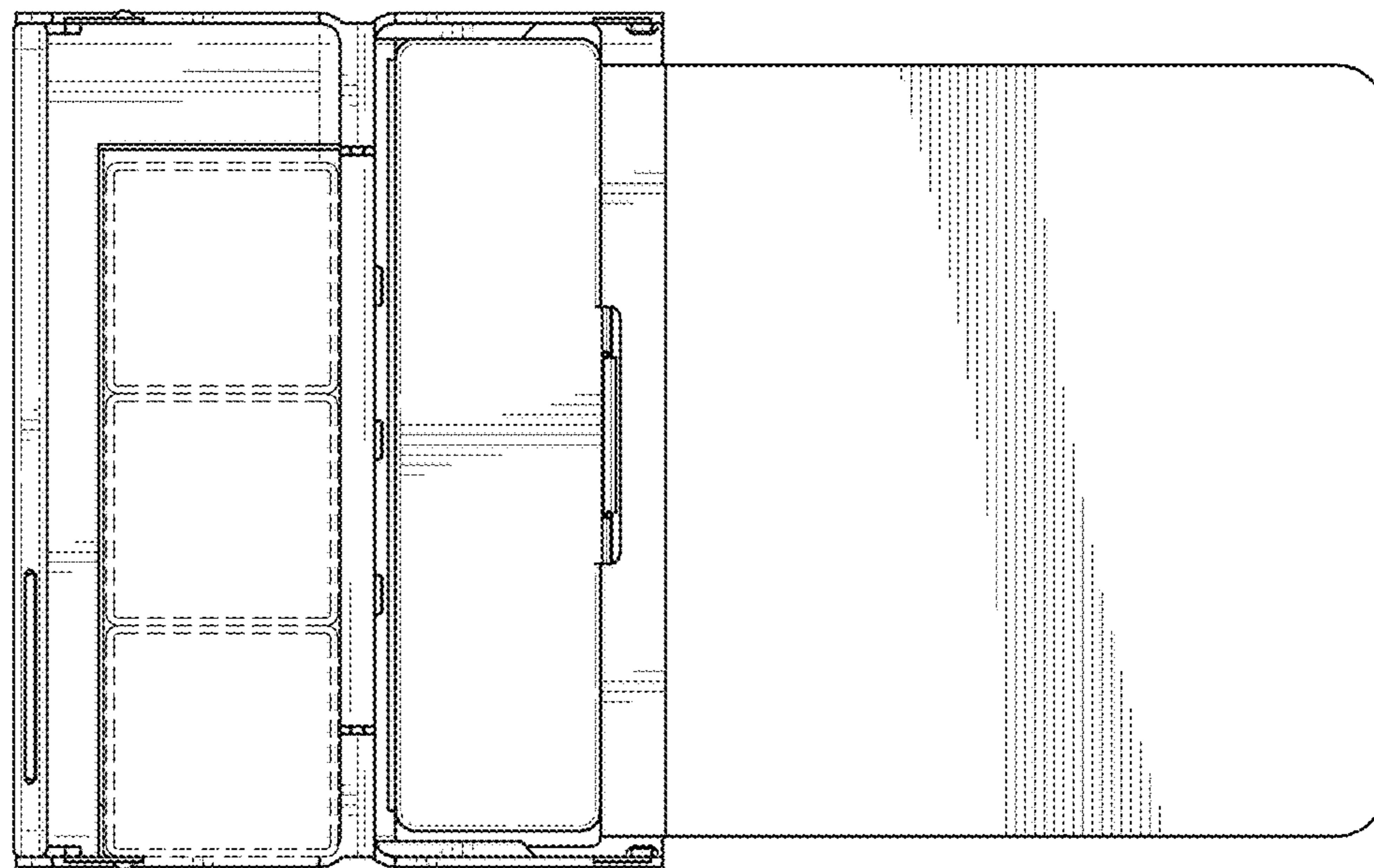


FIG. 11