



US00D779204S

(12) **United States Design Patent** (10) **Patent No.:** **US D779,204 S**
Foreman (45) **Date of Patent:** **** Feb. 21, 2017**

(54) **DISPENSER**

(71) Applicant: **Marc Franklin Foreman**, Woodland Hills, CA (US)

(72) Inventor: **Marc Franklin Foreman**, Woodland Hills, CA (US)

(**) Term: **14 Years**

(21) Appl. No.: **29/516,330**

(22) Filed: **Jan. 30, 2015**

(51) **LOC (10) Cl.** **03-01**

(52) **U.S. Cl.**
USPC **D3/294**

(58) **Field of Classification Search**
USPC D3/273, 274, 275, 276, 281, 284, 292, D3/294, 295, 296, 297, 299, 905, 901, D3/903, 205, 203.1, 279, 282, 242, 301, D3/302; D9/418, 420-423; D28/76-78, D28/82-83; D99/28, 34; D19/69
CPC A45C 5/00; A45C 5/04; A45C 11/00; A45C 11/16
See application file for complete search history.

(56) **References Cited**

U.S. PATENT DOCUMENTS

D169,356 S *	4/1953	Brown	D3/294
D276,354 S *	11/1984	Spitzer	D19/69
D321,091 S *	10/1991	Dickinson	D3/272
5,069,361 A *	12/1991	Jeffway, Jr.	A45C 11/24
				206/214
D332,281 S *	1/1993	Silverman	D19/73
D344,456 S *	2/1994	Argondizza	D12/214
D365,852 S *	1/1996	Parsey	D19/67
D387,903 S *	12/1997	Jacoby	D3/269
D412,062 S *	7/1999	Potter	D3/294

(Continued)

Primary Examiner — Sandra Snapp
Assistant Examiner — Holly E Thurman

(74) *Attorney, Agent, or Firm* — Henricks, Slavin & Holmes LLP

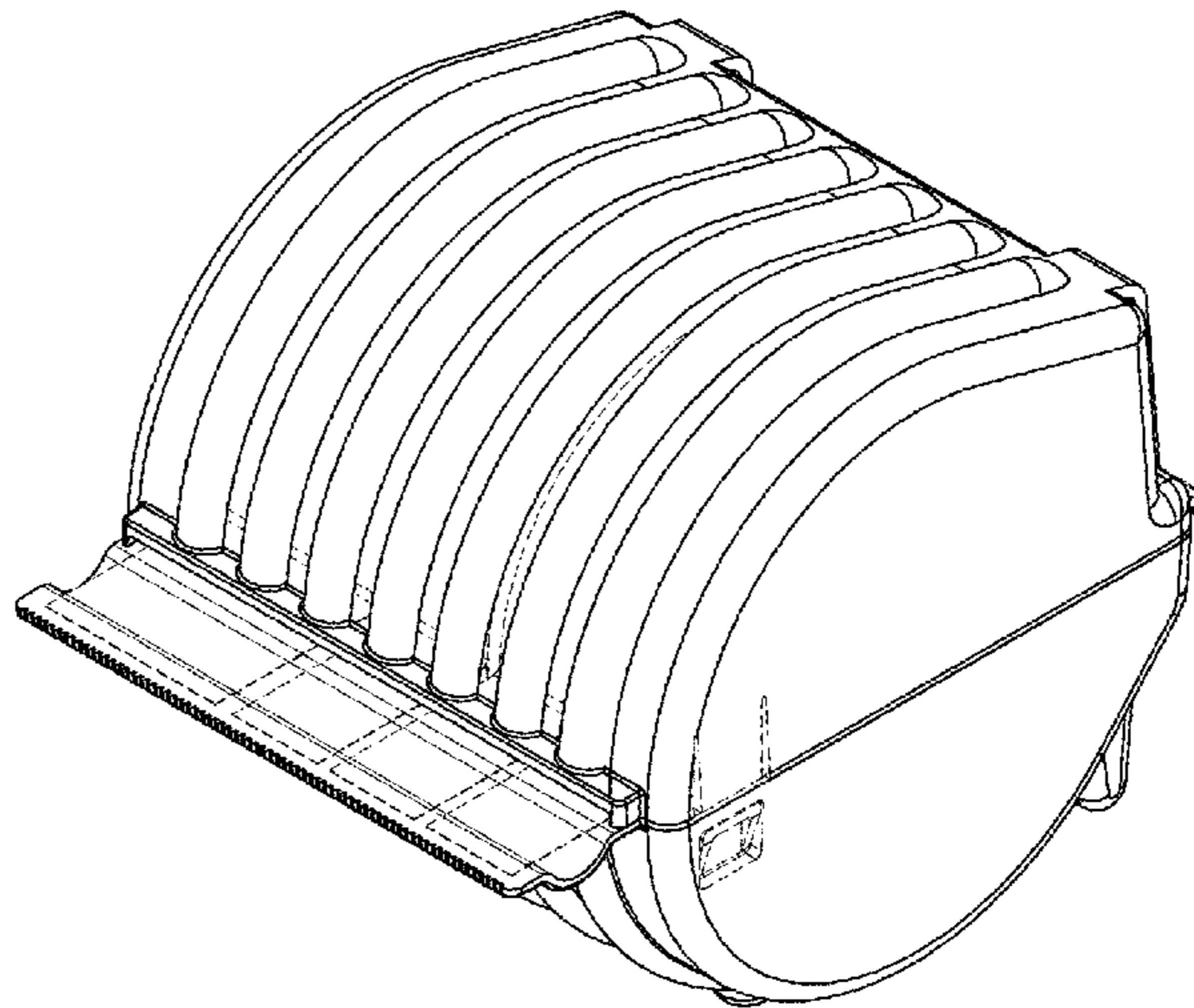
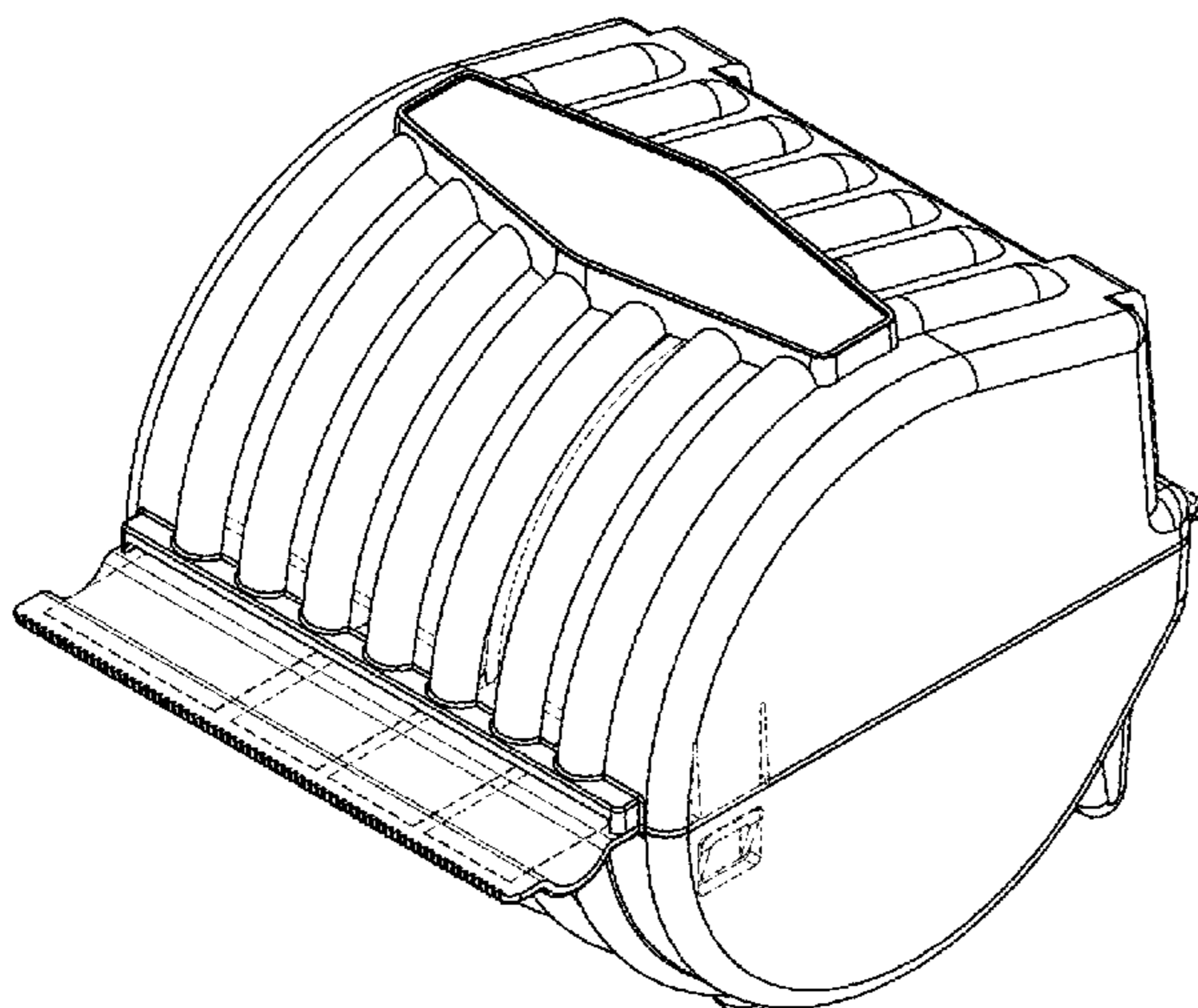
(57) **CLAIM**

The ornamental design for a dispenser, as shown and described.

DESCRIPTION

FIG. 1 is a top isometric view of a dispenser showing the new design;
FIG. 2 is a top view thereof;
FIG. 3 is a bottom view thereof;
FIG. 4 is a front view thereof;
FIG. 5 is a rear view thereof;
FIG. 6 is a right side view thereof, the left side view is a mirror image;
FIG. 7 is a top isometric view of a second embodiment;
FIG. 8 is a top view thereof;
FIG. 9 is a bottom view thereof;
FIG. 10 is a front view thereof;
FIG. 11 is a rear view thereof;
FIG. 12 is a right side view thereof, the left side view is a mirror image;
FIG. 13 is a top isometric view of a third embodiment;
FIG. 14 is a top view thereof;
FIG. 15 is a bottom view thereof;
FIG. 16 is a front view thereof;
FIG. 17 is a rear view thereof; and,
FIG. 18 is a right side view thereof, the left side view is a mirror image.
The broken line showings for the embodiment in FIGS. 1-6 are for the purpose of illustrating portions of that embodiment which form no part of the claimed design. The broken line showings for the embodiment in FIGS. 7-12 are for the purpose of illustrating portions of that embodiment which form no part of the claimed design. The broken line showings for the embodiment in FIGS. 13-18 are for the purpose of illustrating portions of that embodiment which form no part of the claimed design.

1 Claim, 9 Drawing Sheets



(56)

References Cited

U.S. PATENT DOCUMENTS

D451,278	S	*	12/2001	Cooper	D3/294
D551,893	S	*	10/2007	Huang	D6/634
D591,354	S	*	4/2009	Vulpitta	D19/69
D609,274	S	*	2/2010	Hsu	D19/69
D646,330	S	*	10/2011	Chen	D19/69
D647,304	S	*	10/2011	Packard	D3/294
D656,548	S	*	3/2012	Packard	D19/69
D656,549	S	*	3/2012	Packard	D19/69
D657,420	S	*	4/2012	Clover	D19/69
D687,102	S	*	7/2013	Chandaria	D19/69
D700,240	S	*	2/2014	Chapin	D19/69
D741,705	S	*	10/2015	Astorga	D9/425
D753,762	S	*	4/2016	Chandaria	D19/69
2014/0077023	A1	*	3/2014	Foreman	B65H 35/002 242/588.3
2016/0221788	A1	*	8/2016	Foreman	B65H 35/002

* cited by examiner

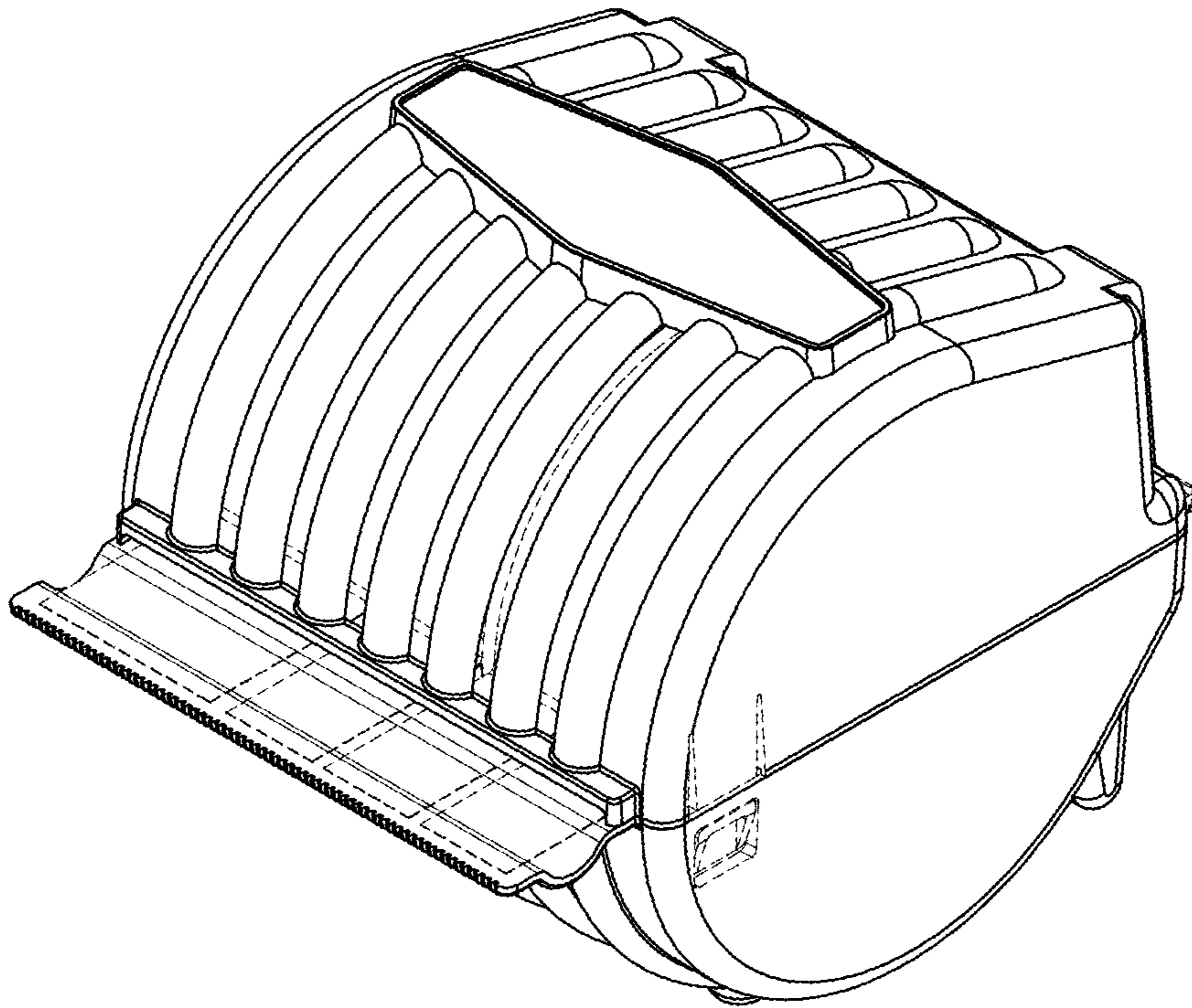


FIG. 1

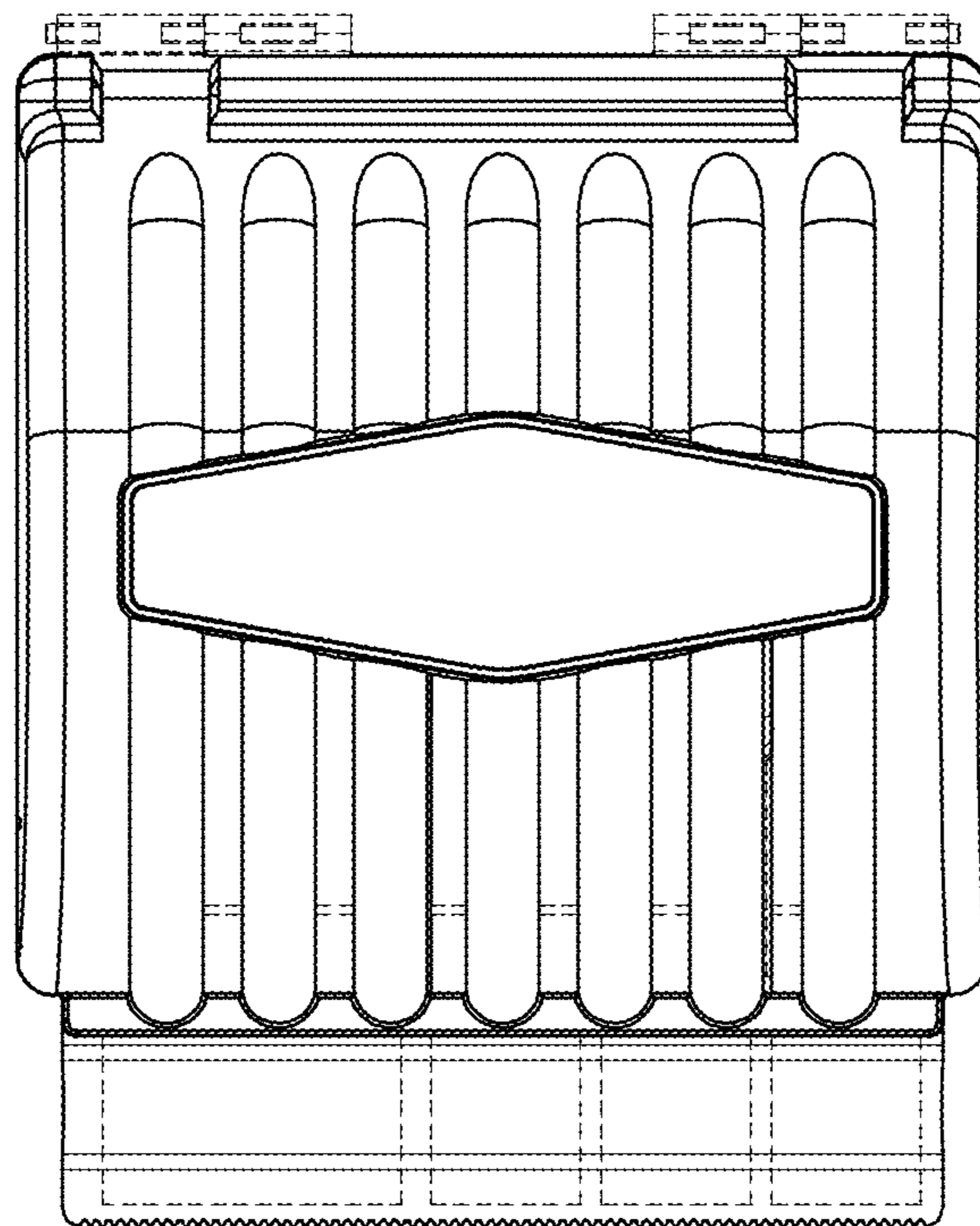


FIG. 2

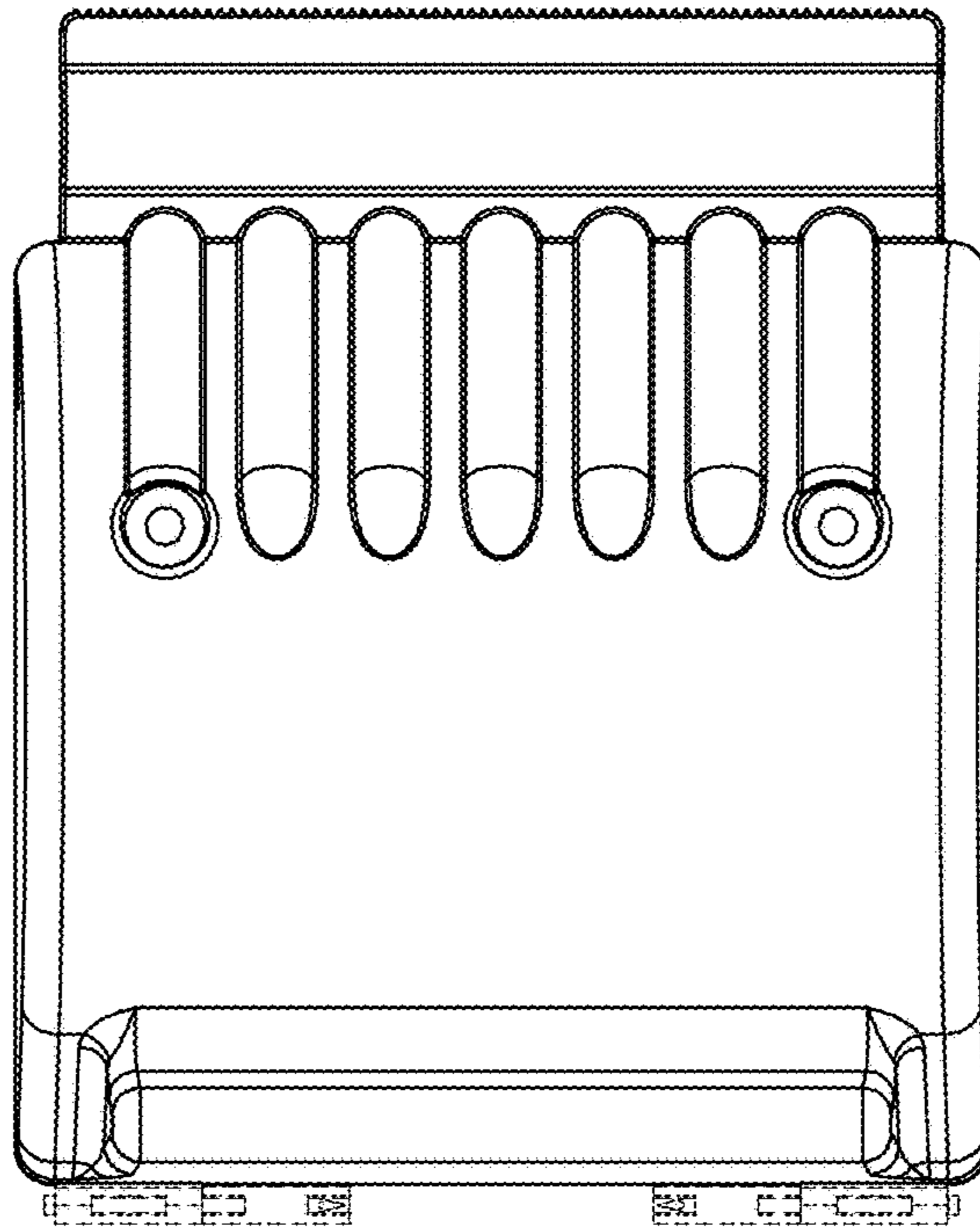


FIG. 3

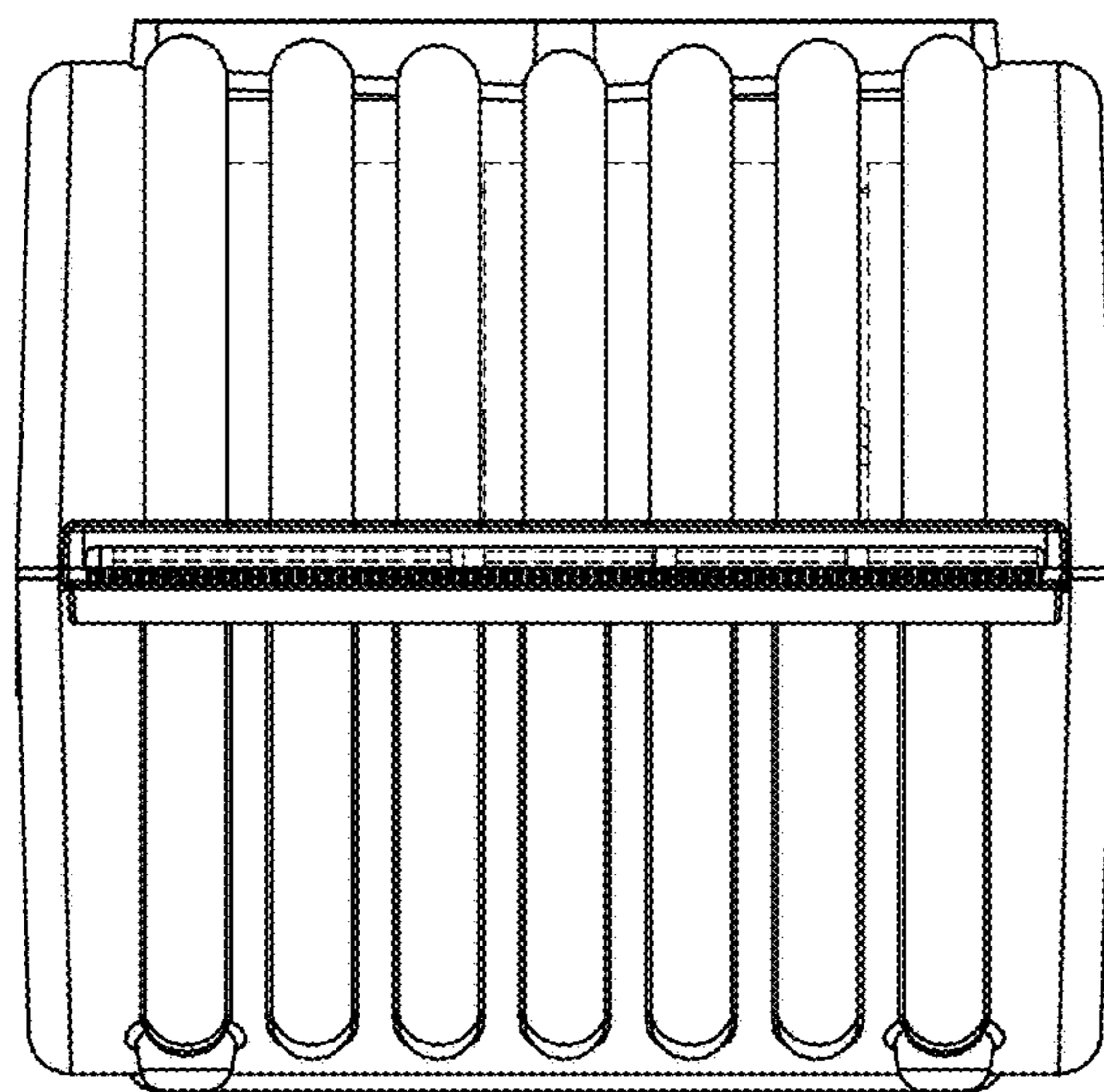


FIG. 4

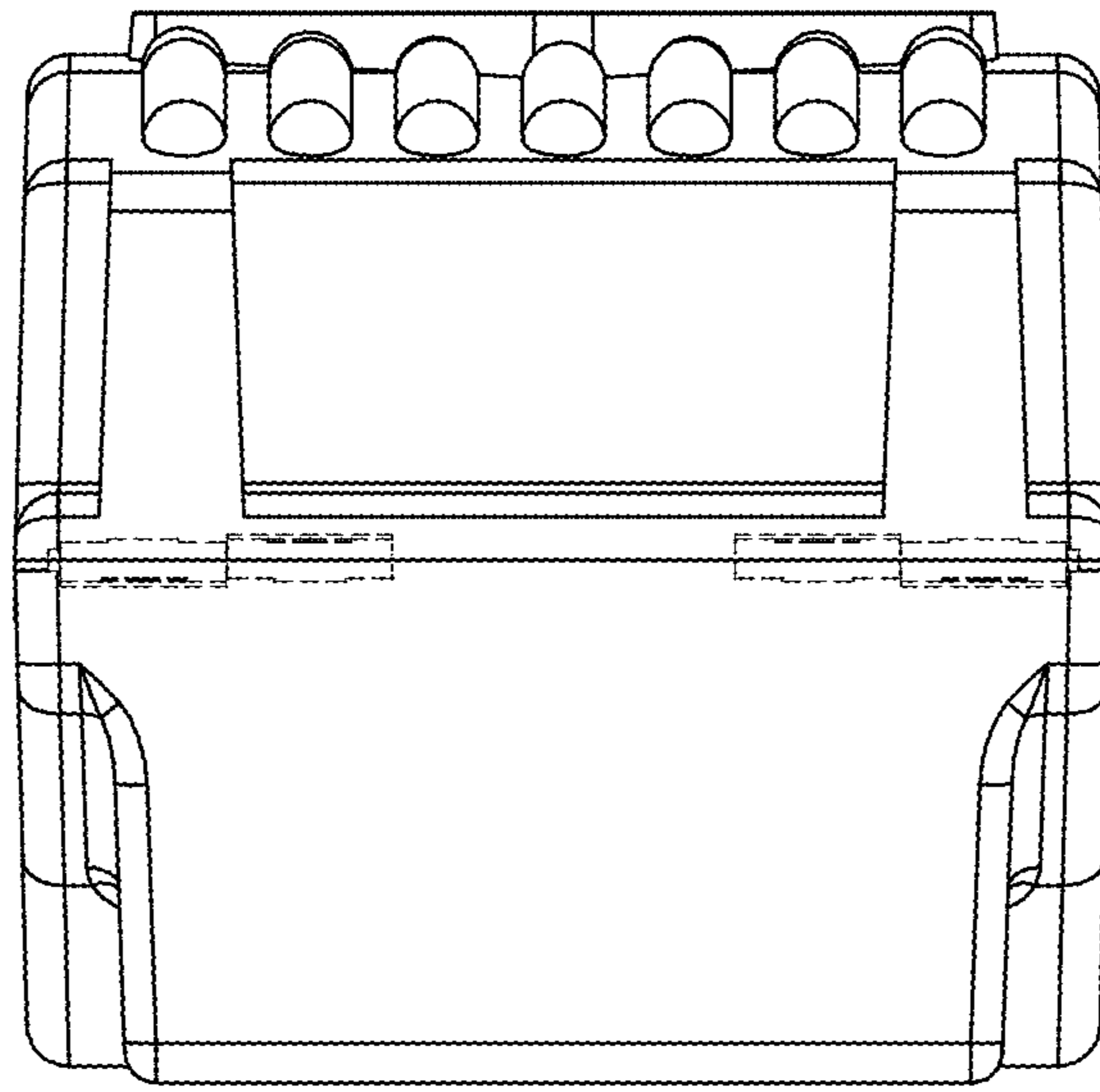


FIG. 5

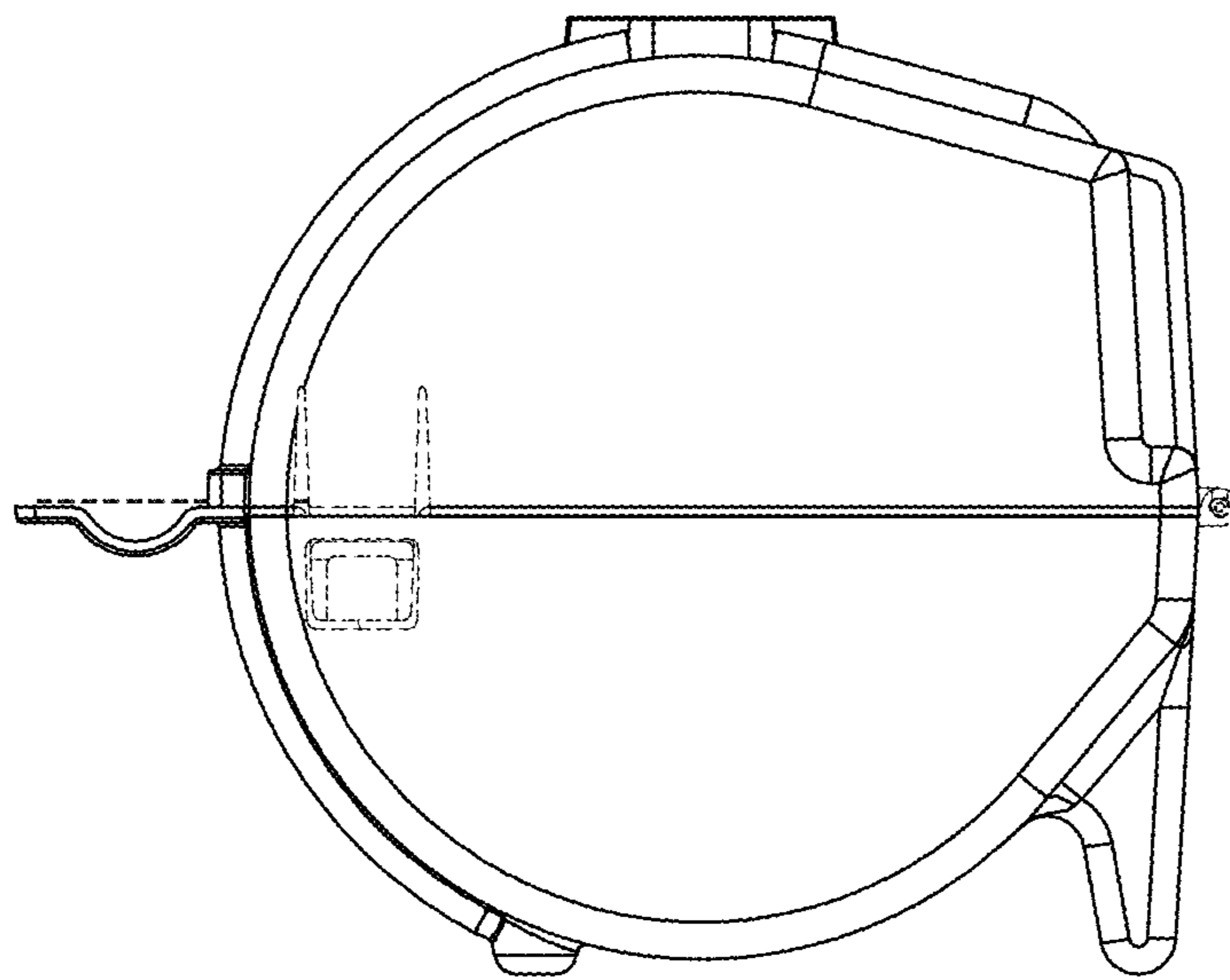


FIG. 6

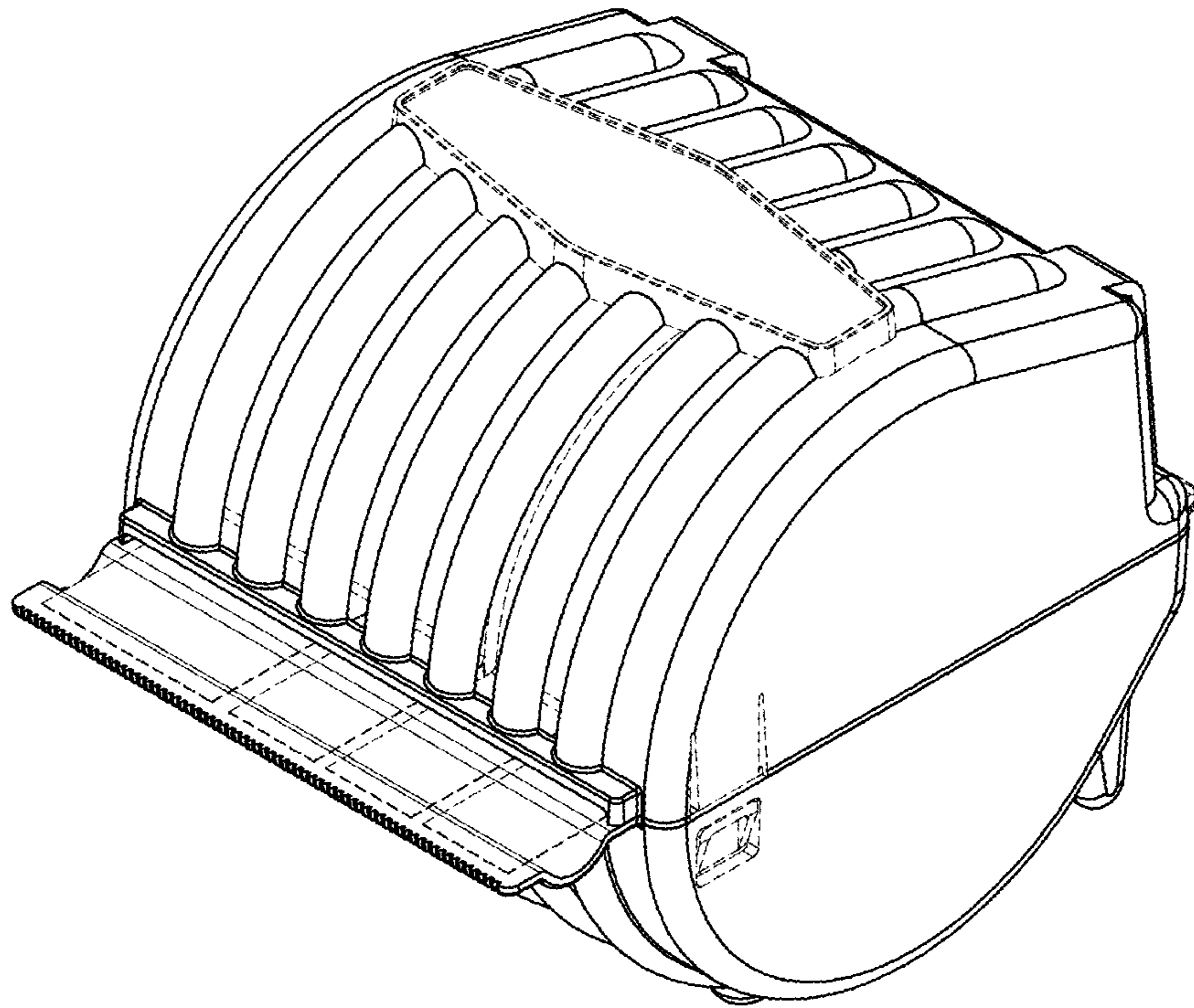


FIG. 7

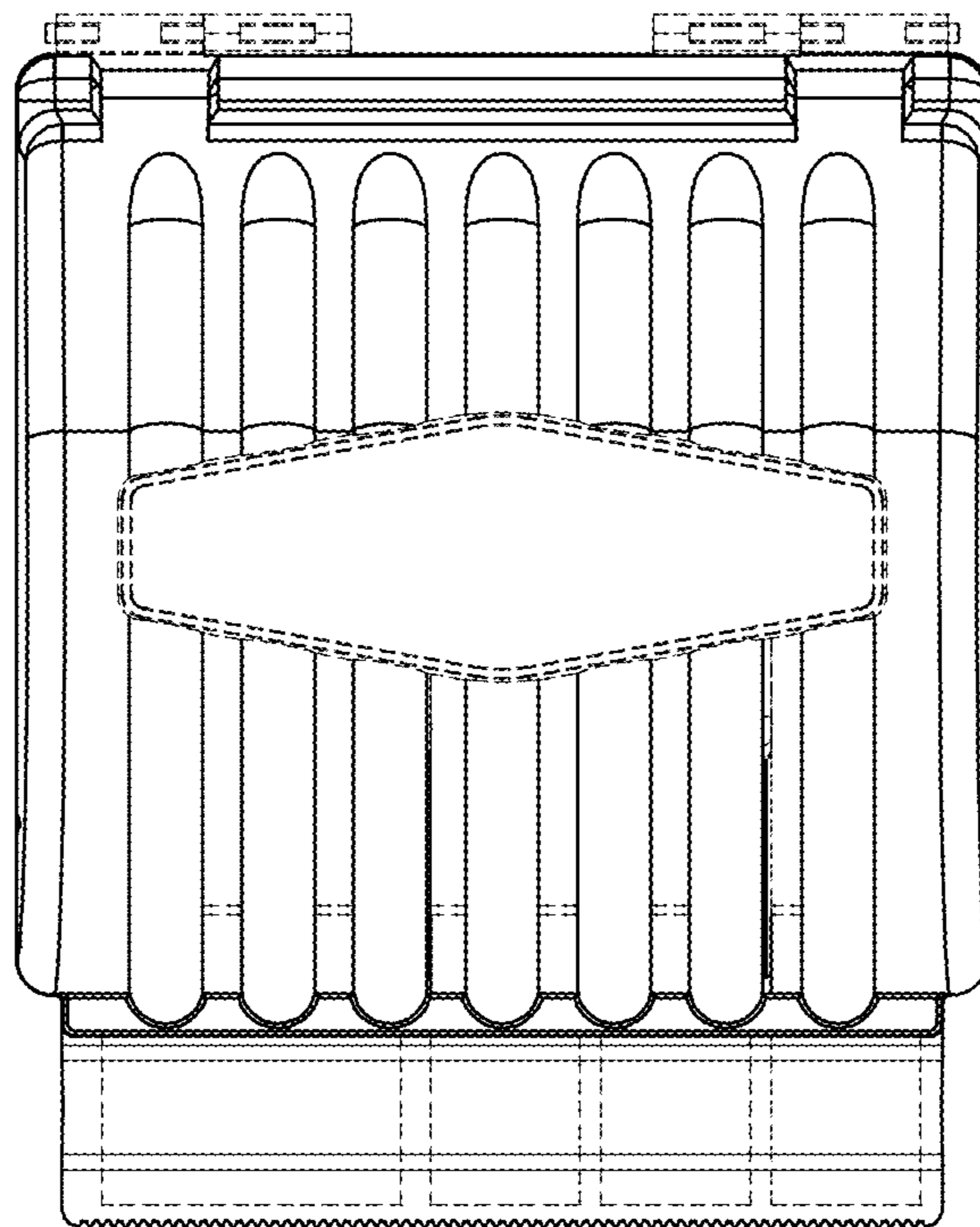


FIG. 8

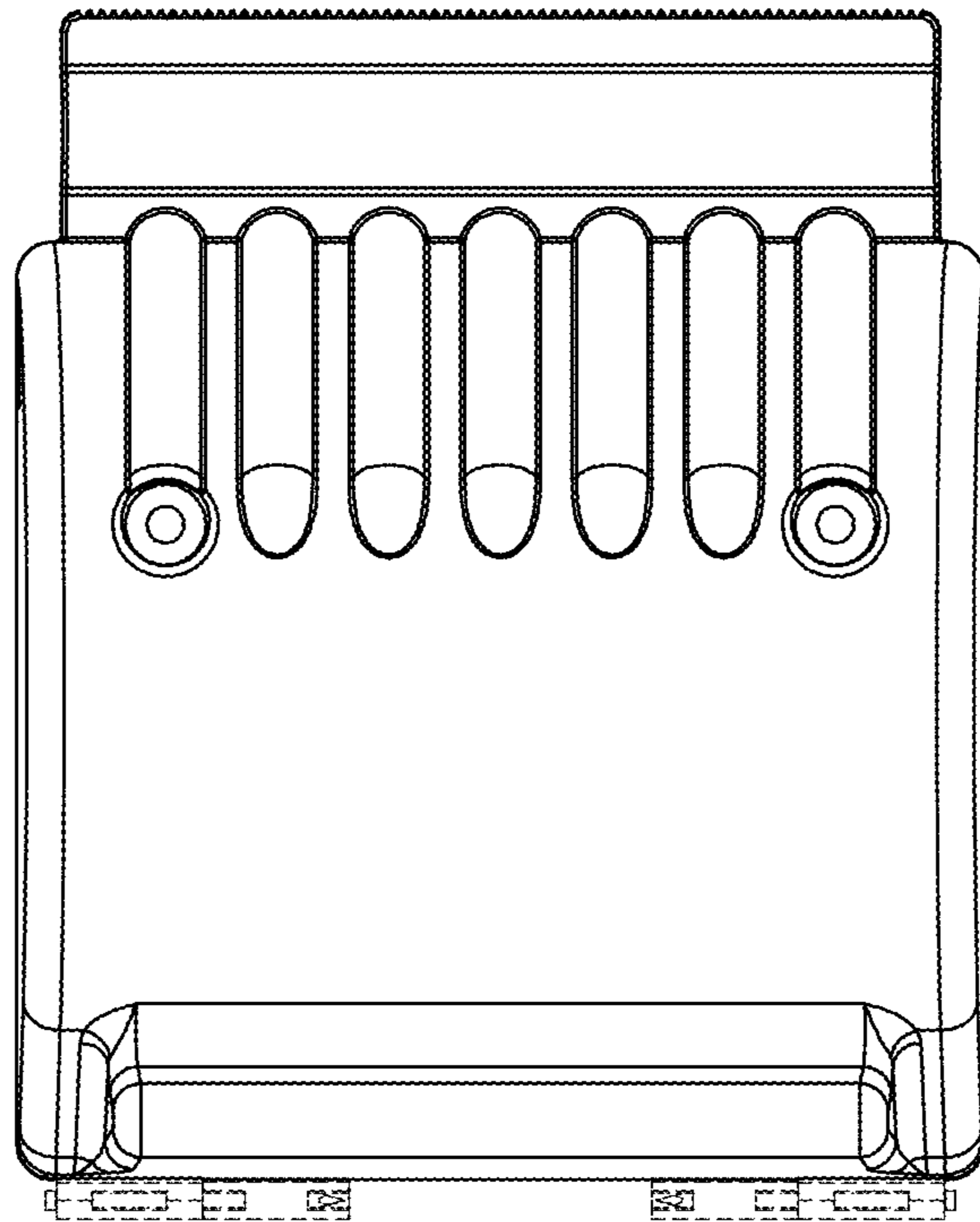


FIG. 9

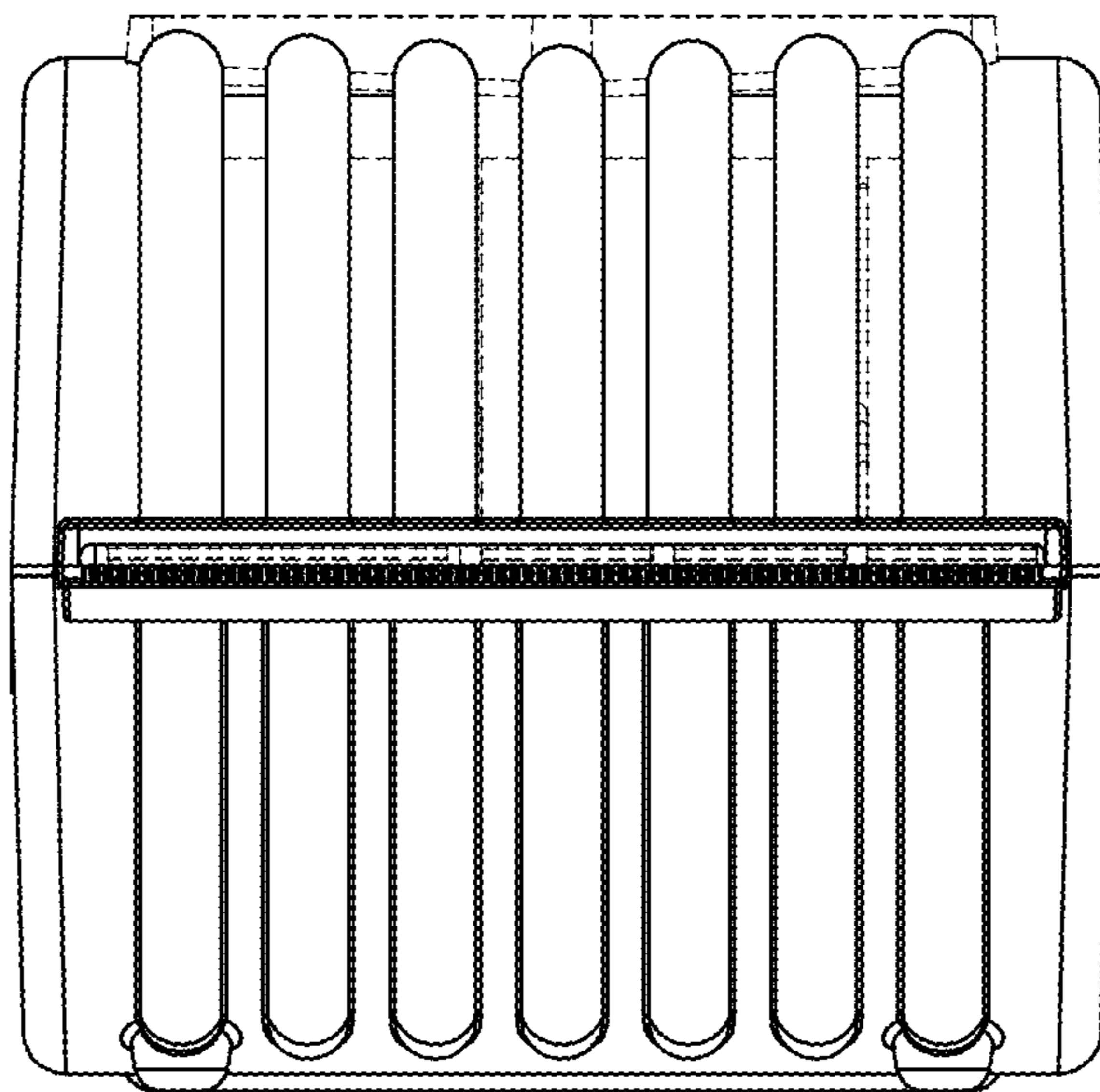


FIG. 10

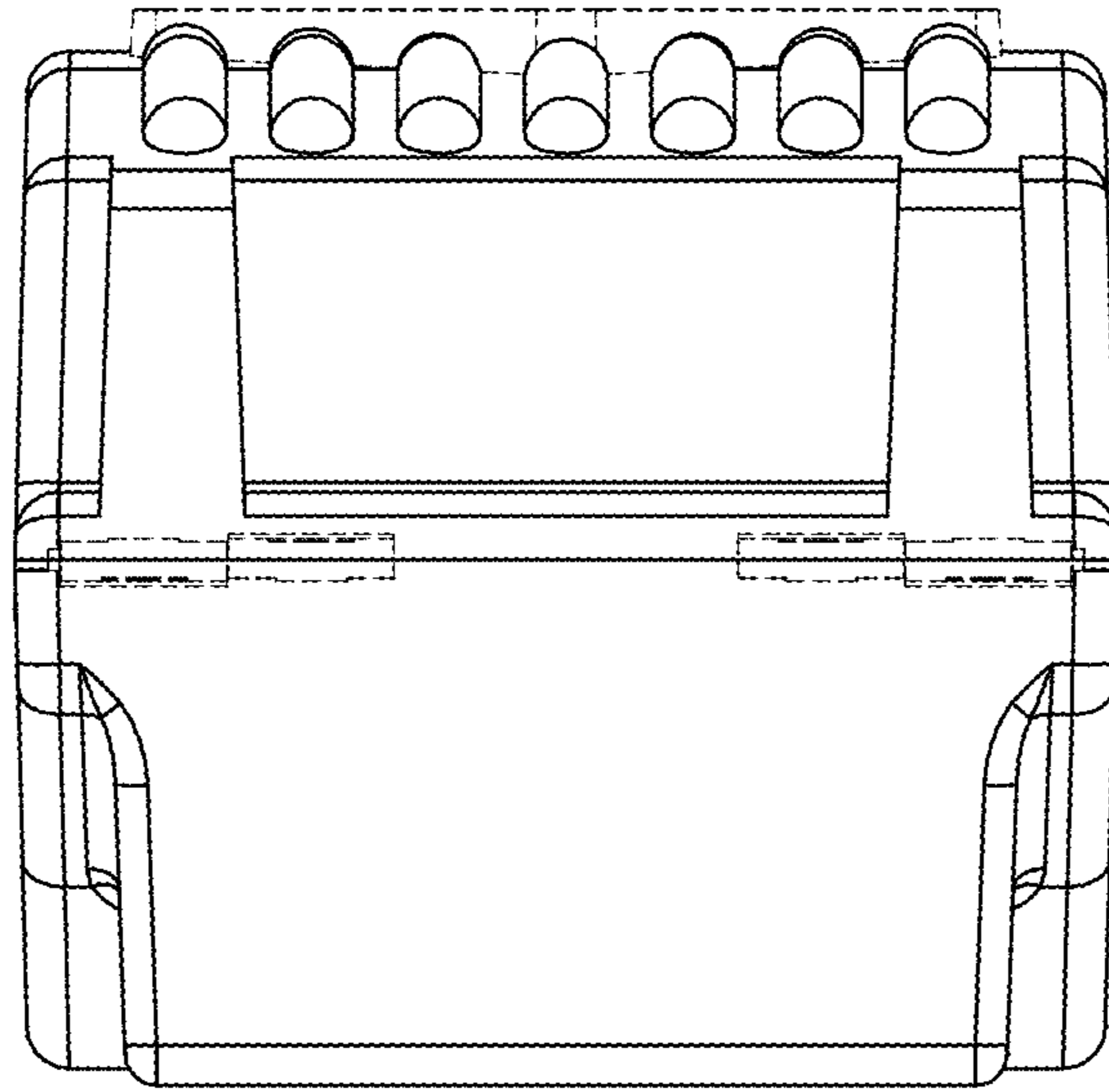


FIG. 11

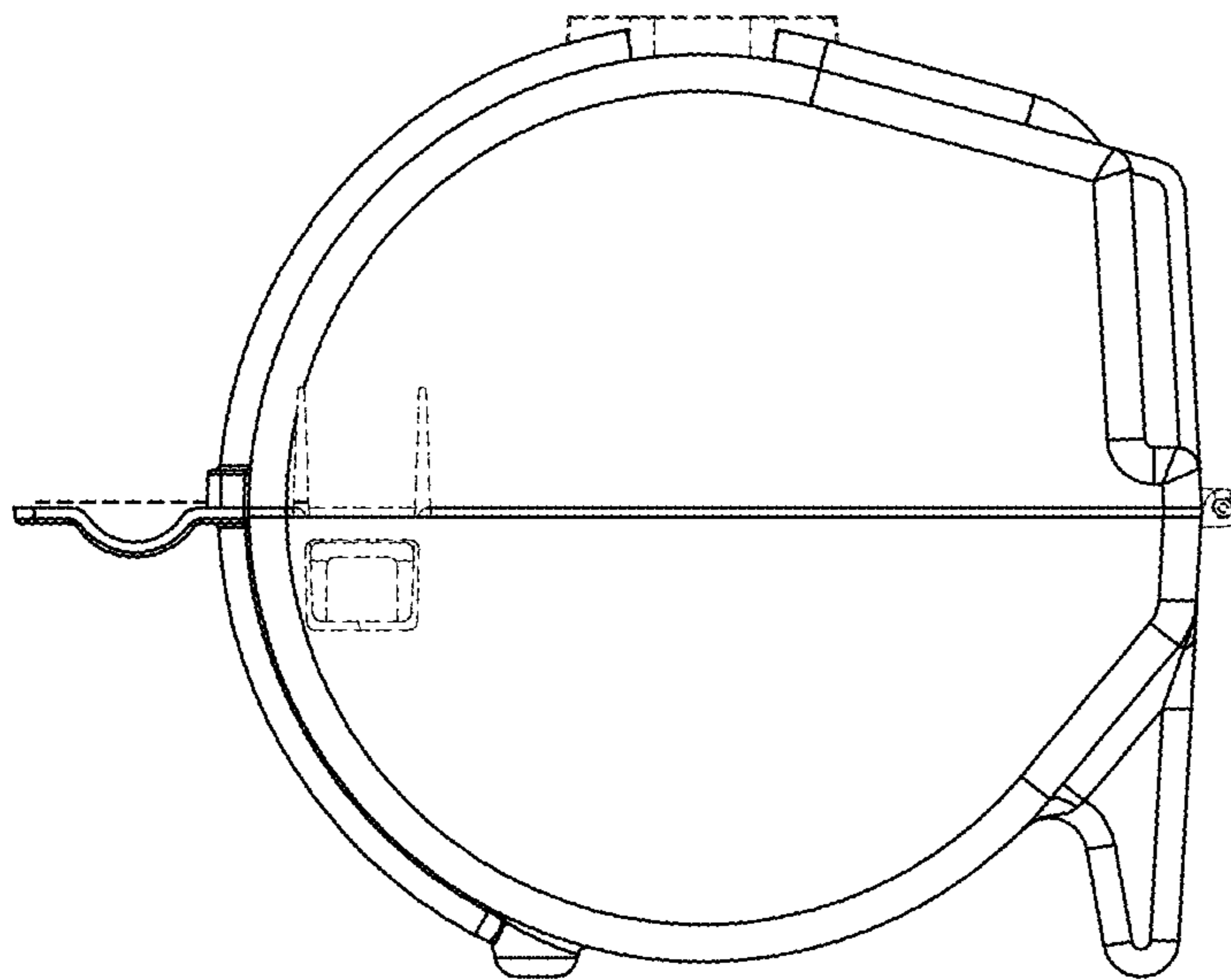


FIG. 12

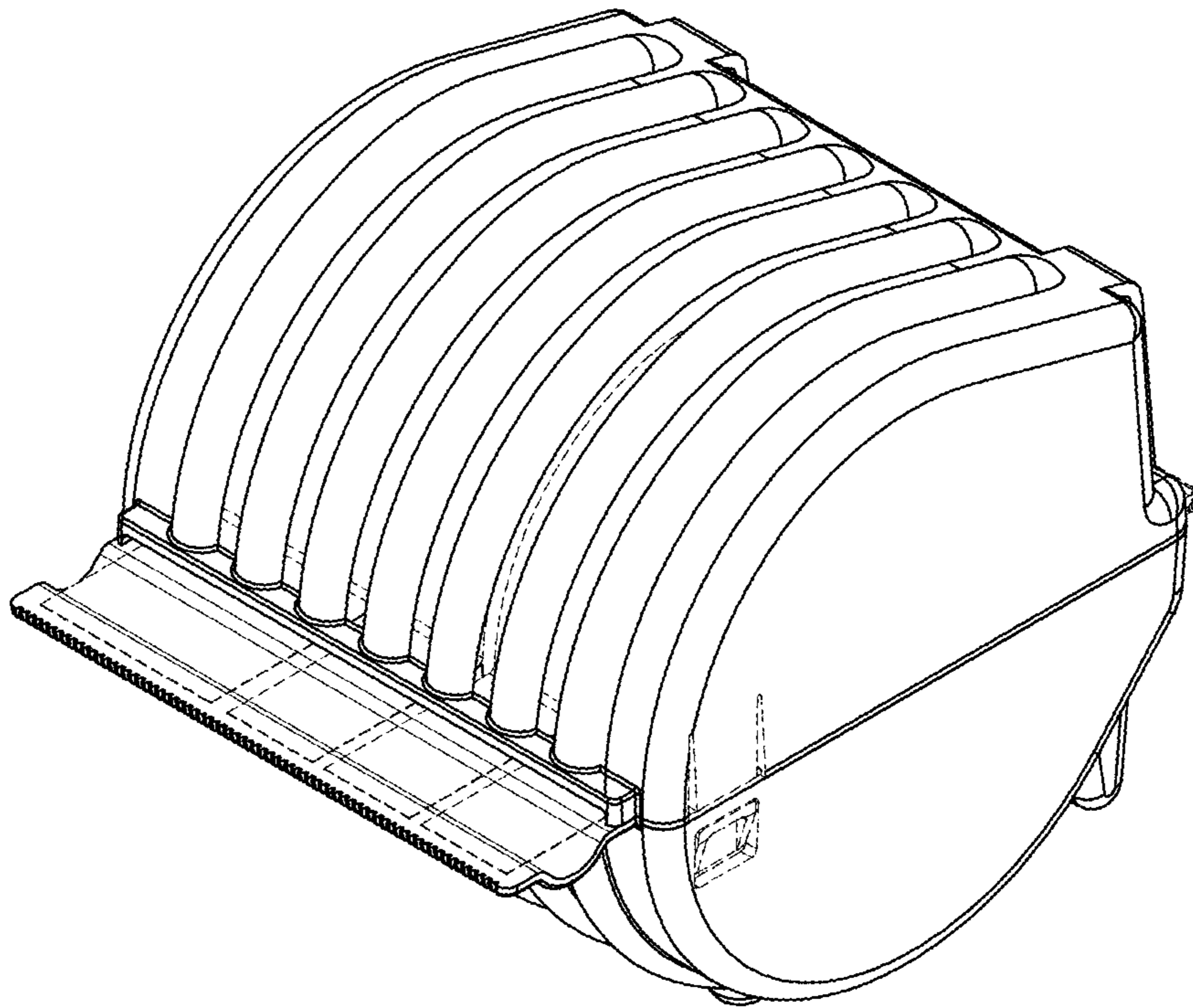


FIG. 13

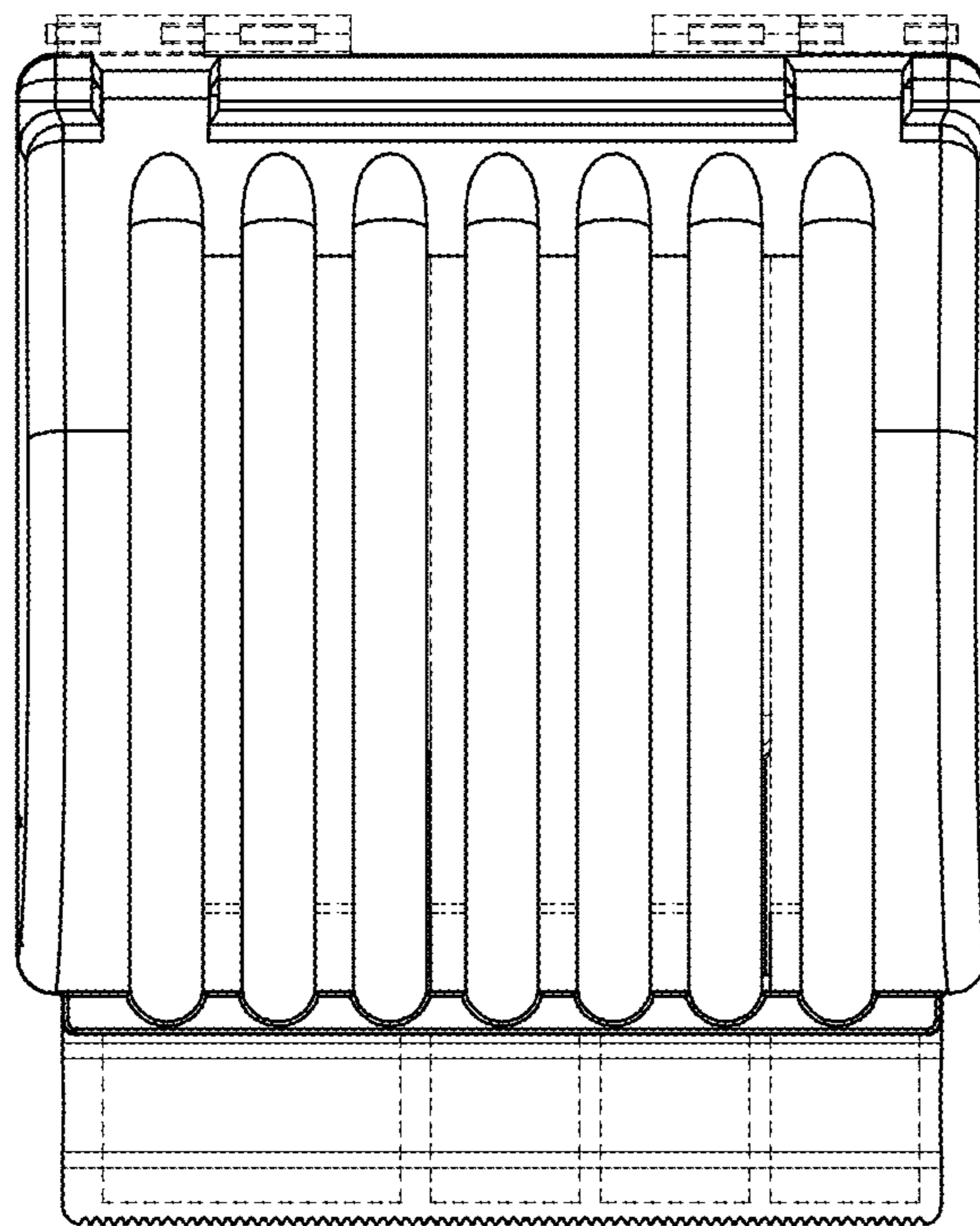


FIG. 14

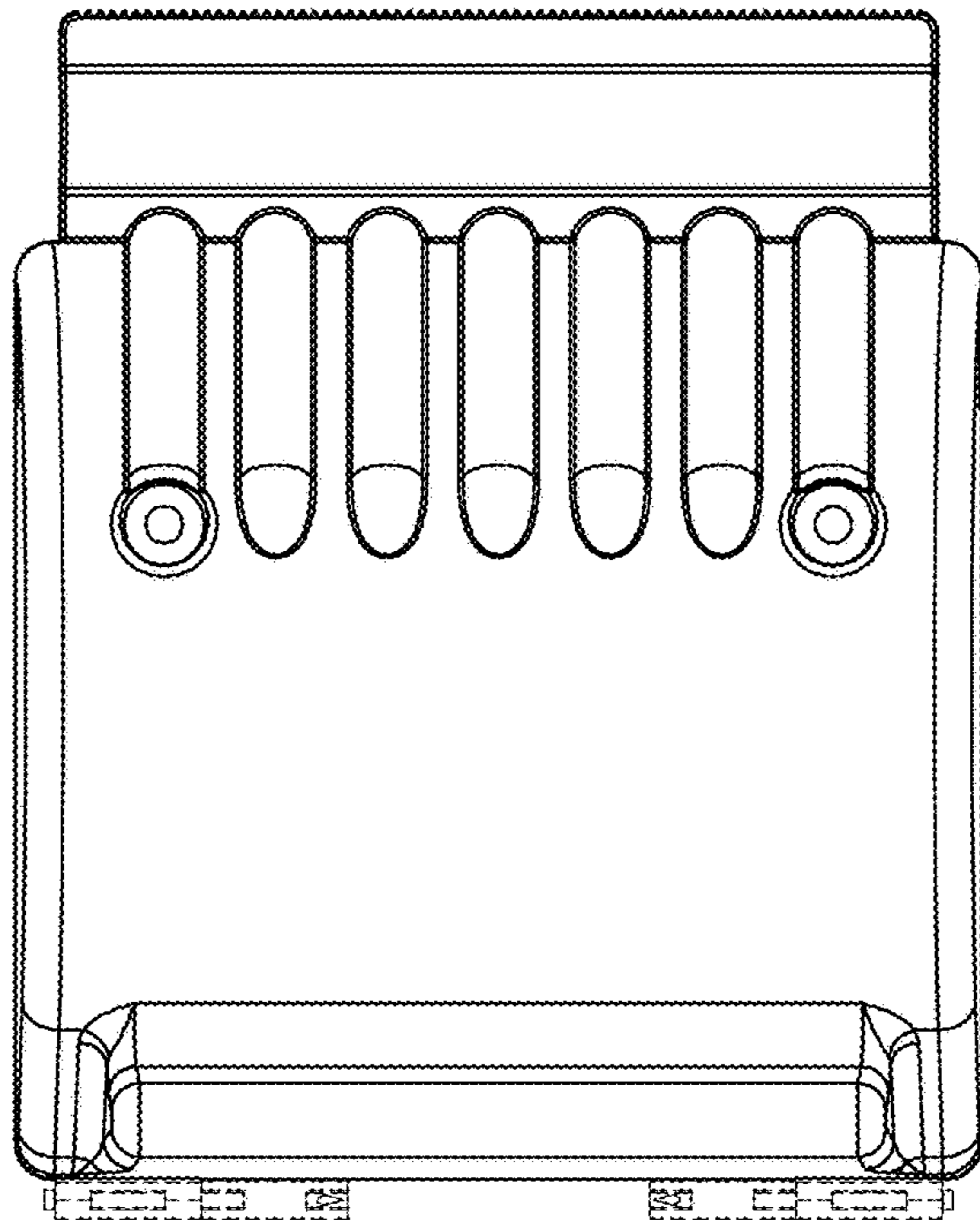


FIG. 15

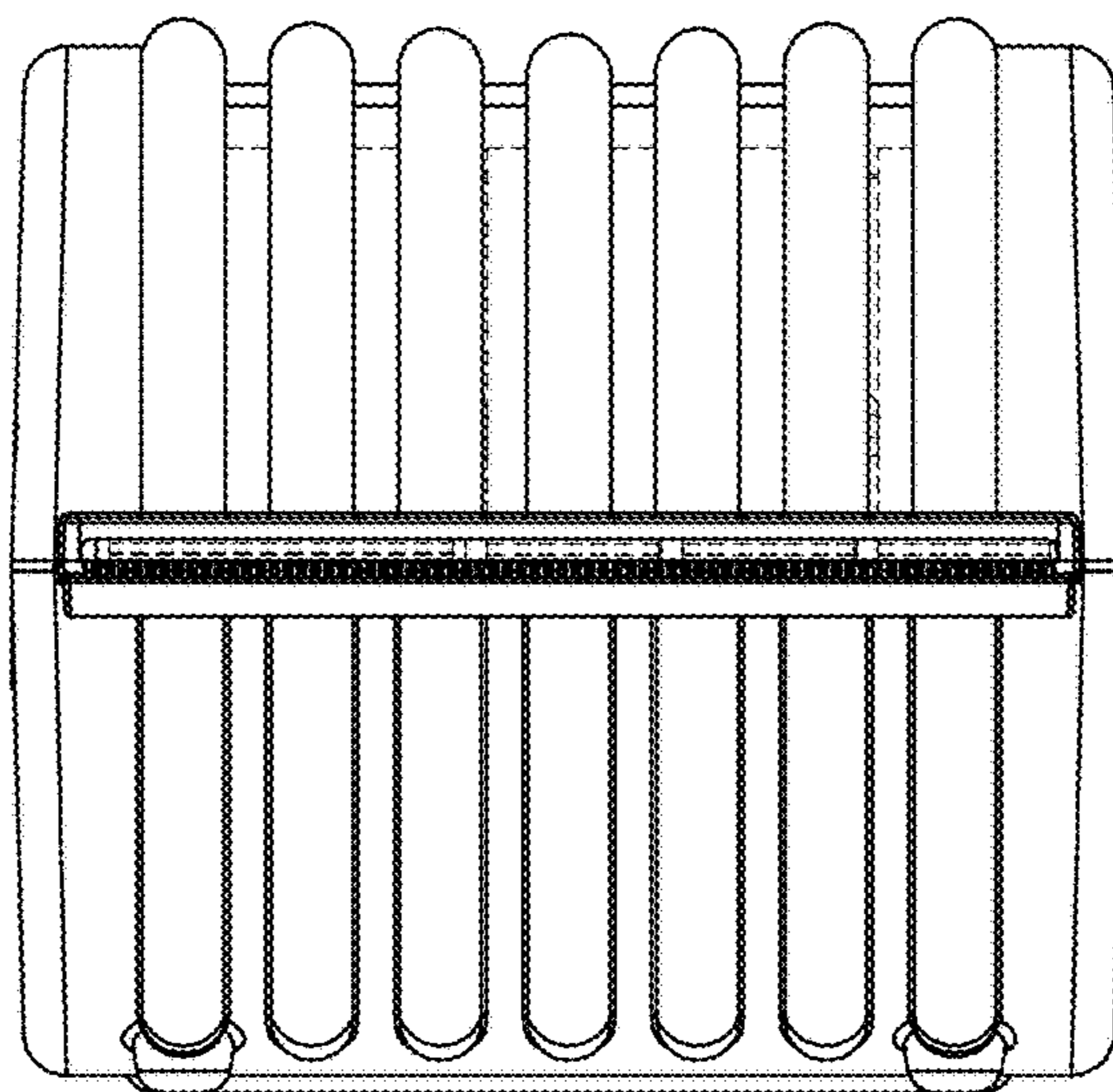


FIG. 16

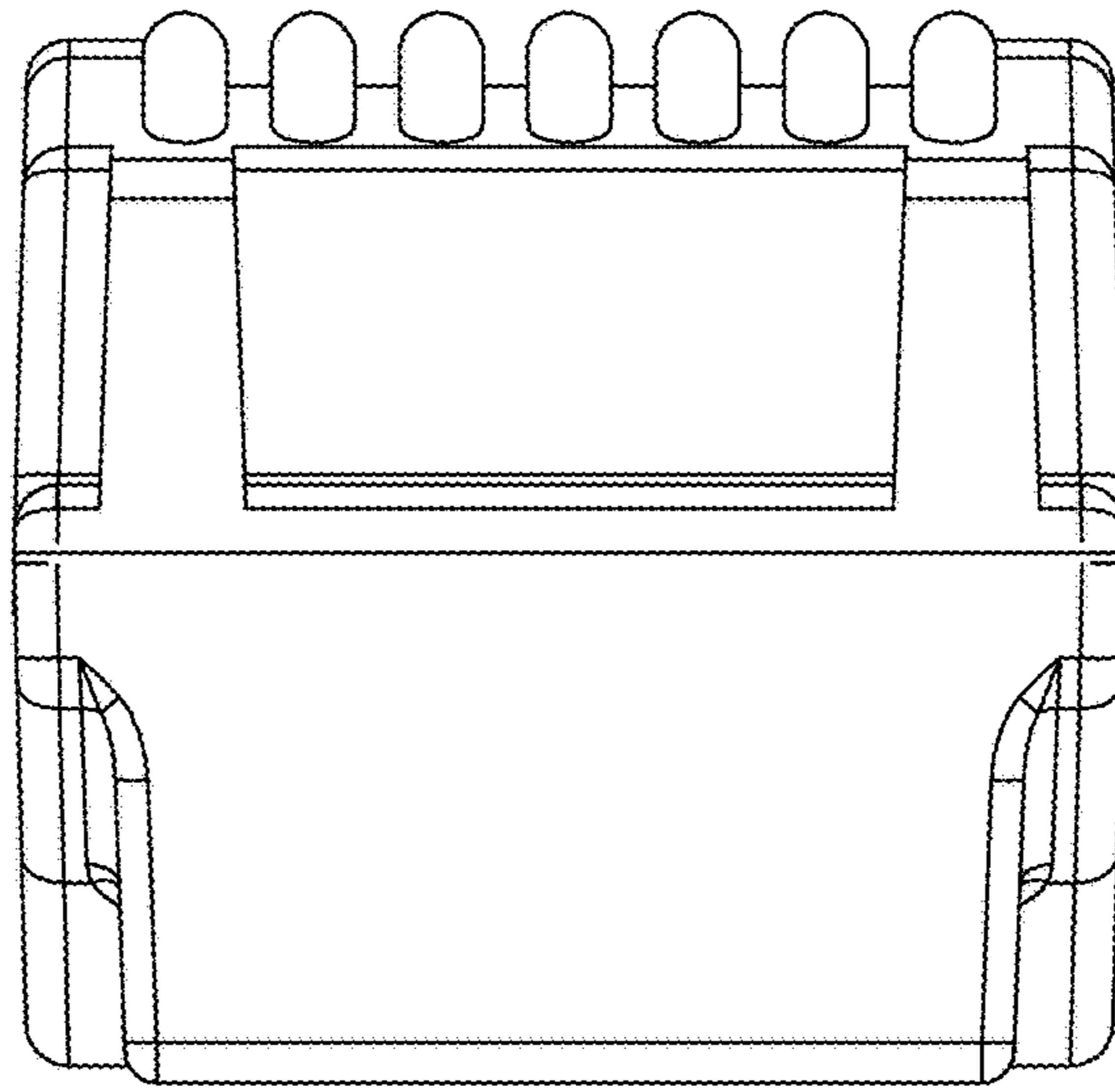


FIG. 17

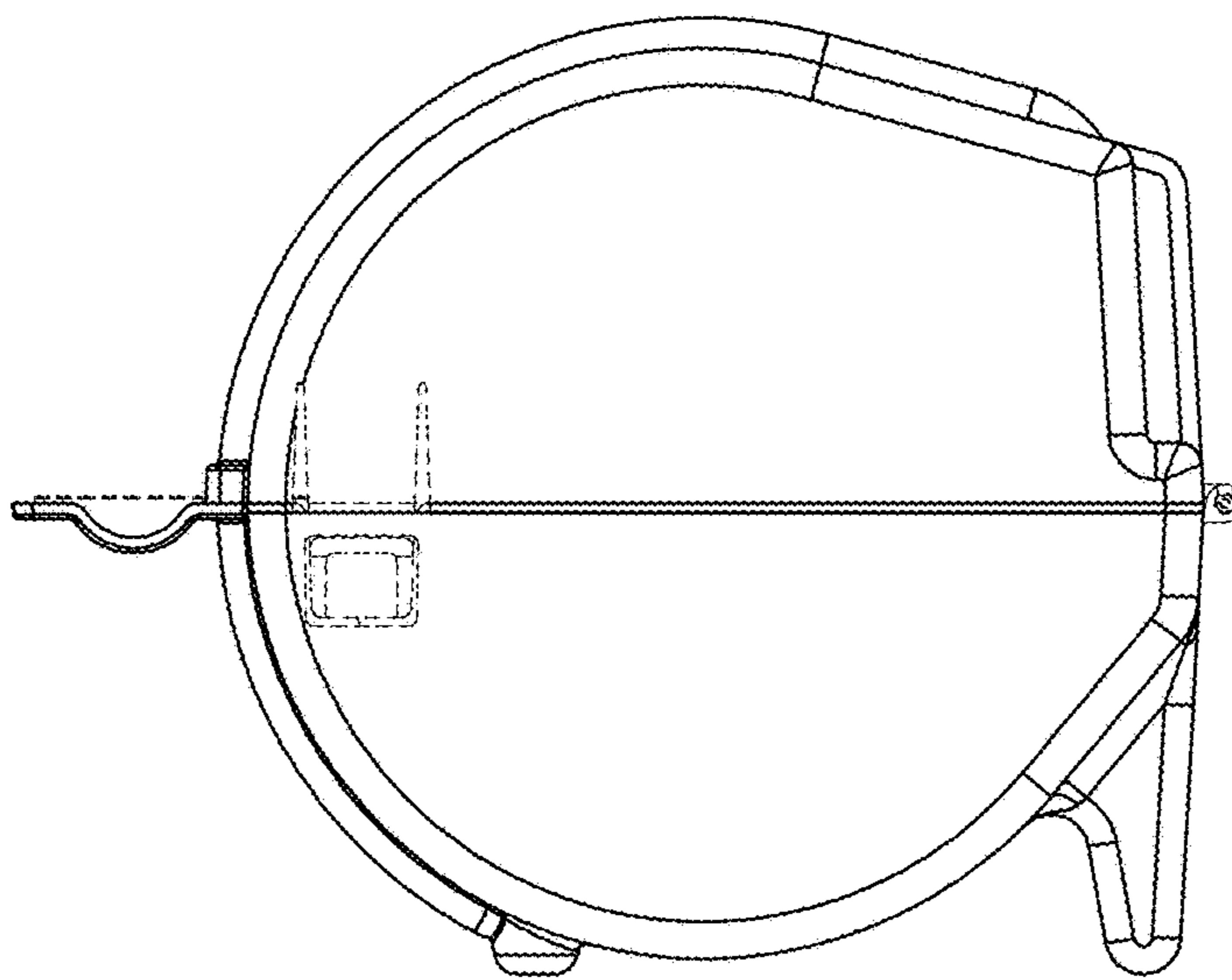


FIG. 18