



US00D779202S

(12) **United States Design Patent** (10) **Patent No.:** **US D779,202 S**
Xia (45) **Date of Patent:** **** Feb. 21, 2017**

(54) **COMBINED PACKING AND CARRYING CASE**

(71) Applicant: **SHENZHEN ROYOLE TECHNOLOGIES CO., LTD.**, Shenzhen (CN)

(72) Inventor: **Xinyuan Xia**, Shenzhen (CN)

(**) Term: **15 Years**

(21) Appl. No.: **29/543,096**

(22) Filed: **Oct. 21, 2015**

(51) **LOC (10) Cl.** **03-01**

(52) **U.S. Cl.**
USPC **D3/289**

(58) **Field of Classification Search**
USPC D3/218, 270, 201, 273, 276, 283, 284, D3/285, 287, 289, 301, 902, 318, 321, D3/323, 203.1, 215, 905, 269, 294, 266; D6/407
CPC A45C 5/00; A45C 2011/002; A45C 2013/025; A45C 5/08; A45C 13/02; A45C 2011/001; A45C 2011/003
See application file for complete search history.

(56) **References Cited**

U.S. PATENT DOCUMENTS

D352,171 S *	11/1994	Giovannella	D3/287
D484,731 S *	1/2004	Tung	D3/270
D518,955 S *	4/2006	Van Dam	D3/269
D527,521 S *	9/2006	Sijmons	D3/276
D533,387 S *	12/2006	Huang	D6/407
D544,207 S *	6/2007	Lindars	D3/269
D545,606 S *	7/2007	Hunt	D6/407
D609,009 S *	2/2010	Schaal	D3/294
D668,872 S *	10/2012	Fair	D3/289
D685,185 S *	7/2013	Bulzis	D3/266
D705,532 S *	5/2014	Kolton	D3/201
D708,850 S *	7/2014	Morine	D3/294
D735,993 S *	8/2015	Koepke	D3/284

OTHER PUBLICATIONS

Royole homepage, "Newsroom", Accessed May 18, 2016, Relevant prior art posted Oct. 15, 2015, (<https://www.royole.com/news?path=61>).*

(Continued)

Primary Examiner — Jennifer Rivard
Assistant Examiner — April Rivas

(57) **CLAIM**

The ornamental design for a combined packing and carrying case, as shown and described.

DESCRIPTION

FIG. 1 is a back side perspective view of the combined packing and carrying case in accordance with of the present invention.

FIG. 2 is a front side view of the combined packing and carrying case depicted in FIG. 1;

FIG. 3 is a back side view of the combined packing and carrying case depicted in FIG. 1;

FIG. 4 is a left side view of the combined packing and carrying case depicted in FIG. 1;

FIG. 5 is a right side view of the combined packing and carrying case depicted in FIG. 1;

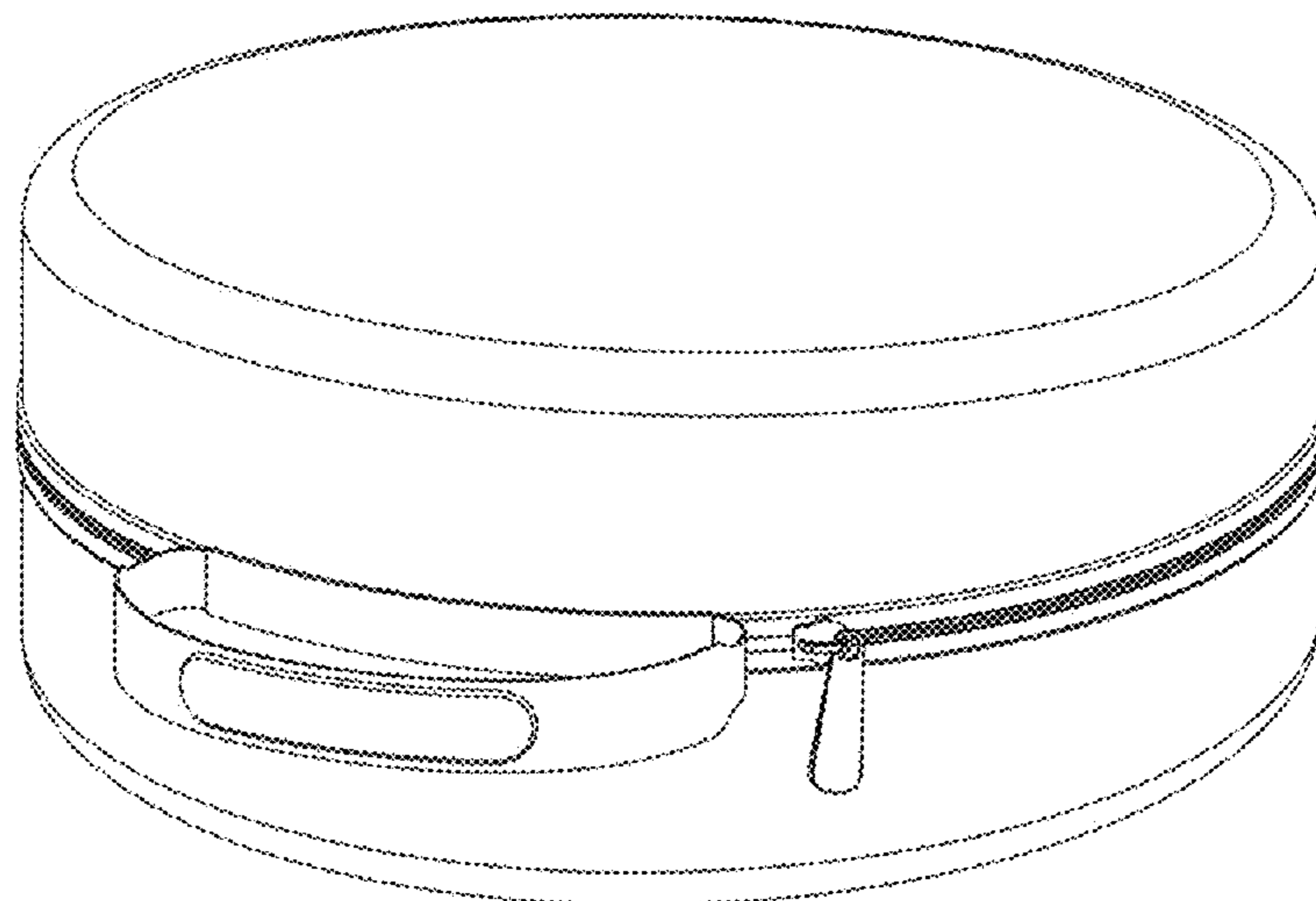
FIG. 6 is a top side view of the combined packing and carrying case depicted in FIG. 1;

FIG. 7 is a bottom side view of the combined packing and carrying case depicted in FIG. 1; and,

FIG. 8 is a front side perspective view of the combined packing and carrying case depicted in FIG. 1 shown in an open configuration.

The broken lines shown in the drawings illustrate portions of the combined packing and carrying case and form no part of the claimed design.

1 Claim, 7 Drawing Sheets



(56)

References Cited

OTHER PUBLICATIONS

Amazon, "For Samsung Gear VR Virtual Reality Headset . . . Hard Travel Storage Carrying Case Bag by Hermitshell", Accessed Jun. 17, 2016, Reviewed as early as Apr. 8, 2016 (https://www.amazon.com/Samsung-Virtual-Reality-Carrying-Hermitshell/dp/B01CNN2ABS?ie=UTF8&linkCode=spl&ref_=cm_cr_if_orig_subj&tag=hk044vrg.s-20).*

Google Image search, "carry case round", Performed on Jun. 17, 2016.*

Indiegogo, "Royole-X: The First Foldable Smart Mobile Theatre", Reference images on pp. 15-17. Accessed Oct. 11, 2016. (https://www.indiegogo.com/projects/royole-x-the-first-foldable-smart-mobile-theatre-video-headphones#).*

* cited by examiner

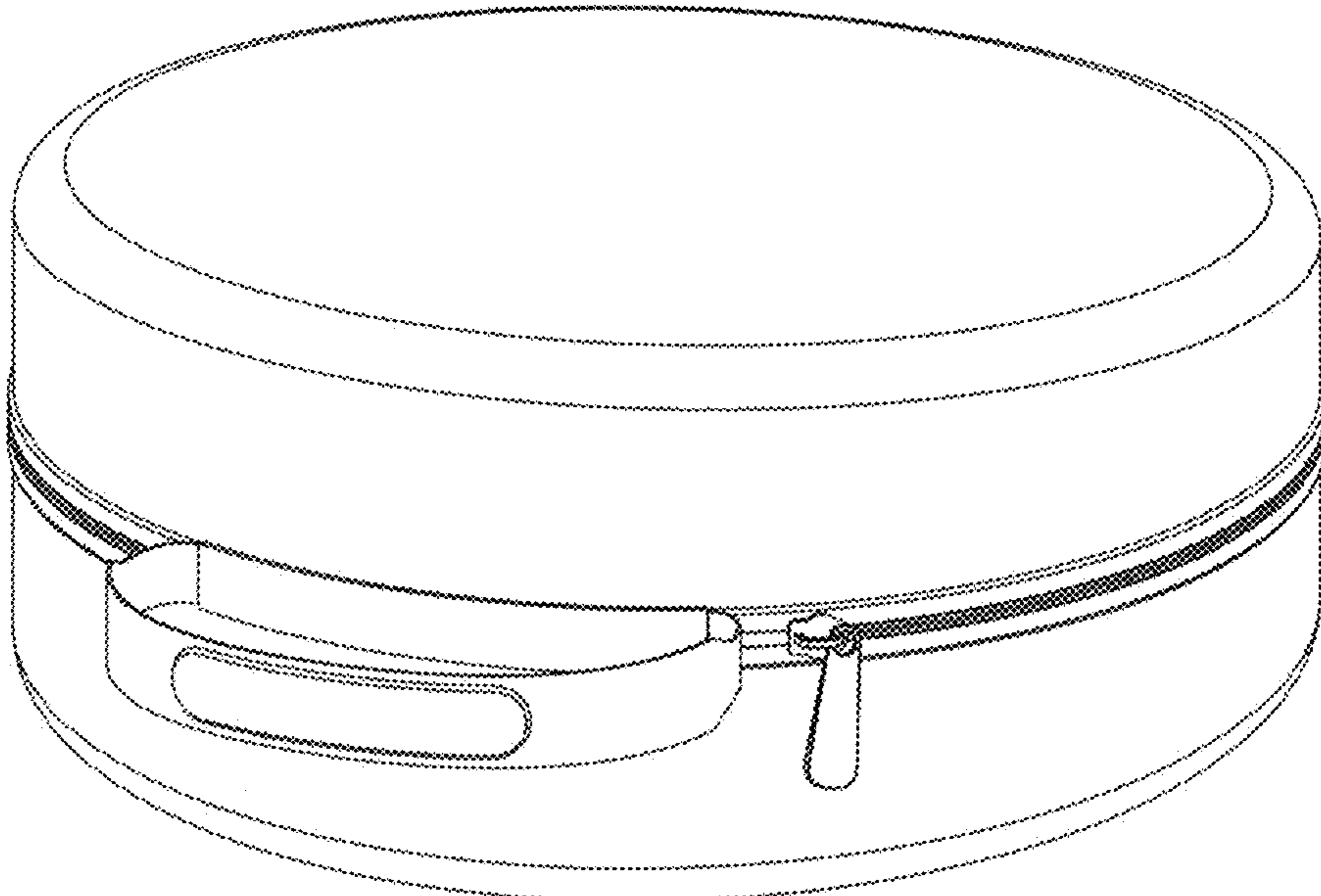


Fig. 1

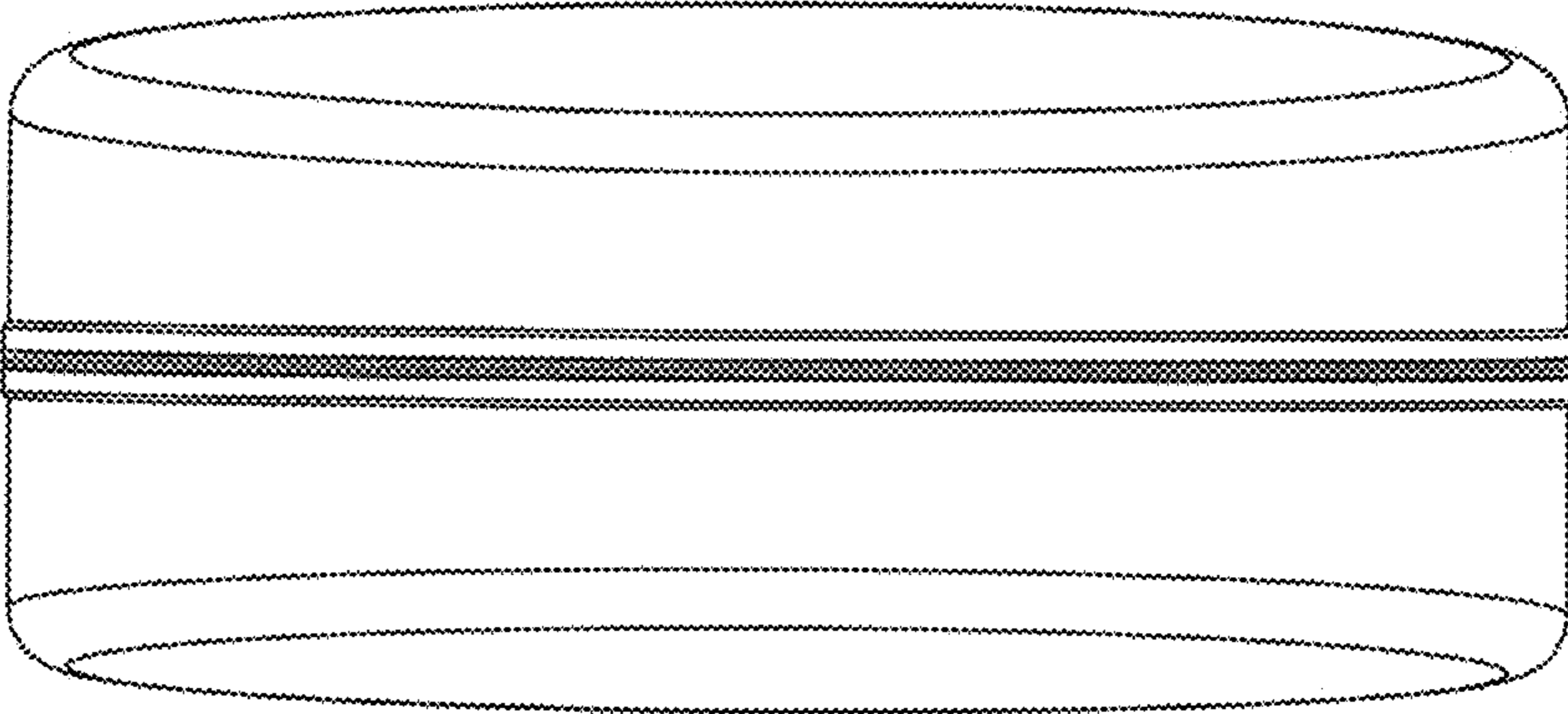


Fig. 2

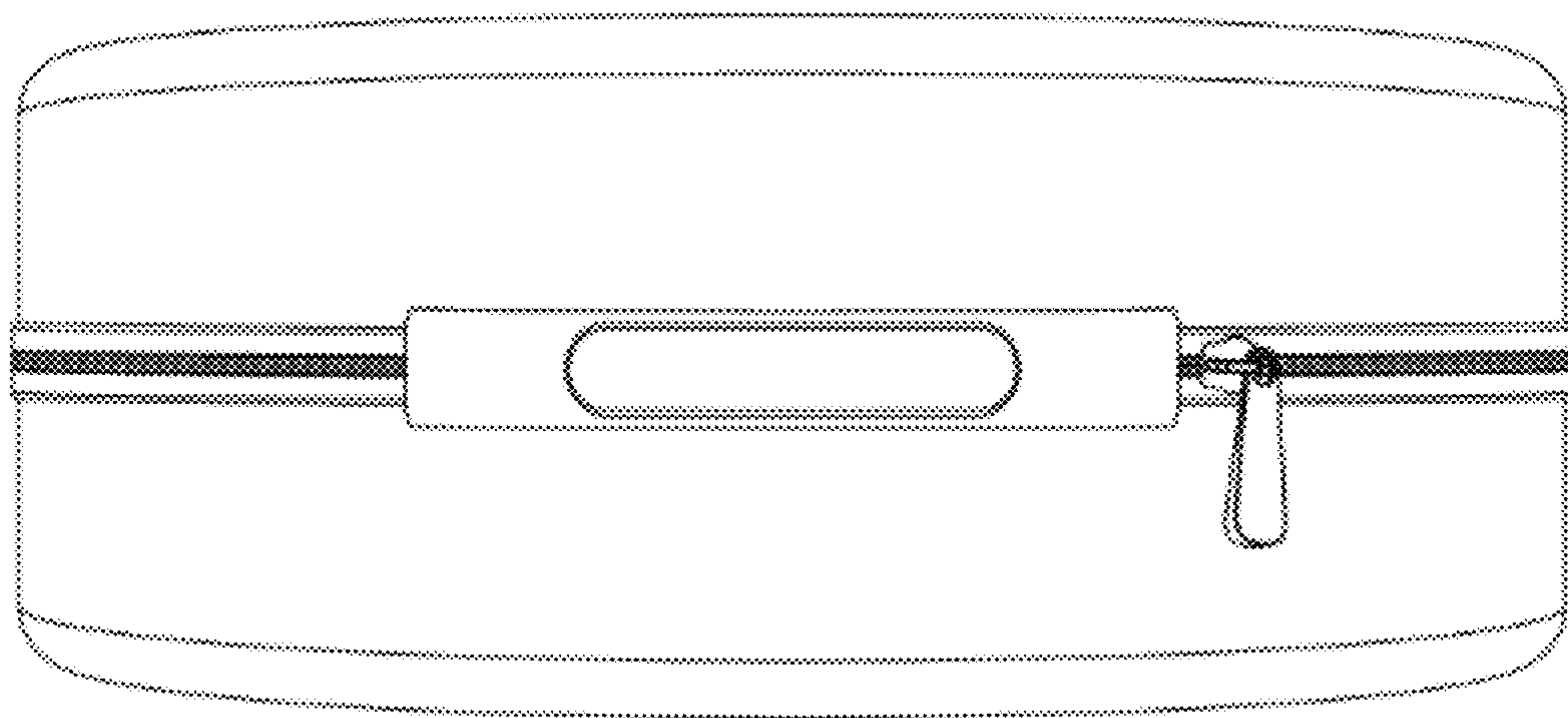


FIG. 3

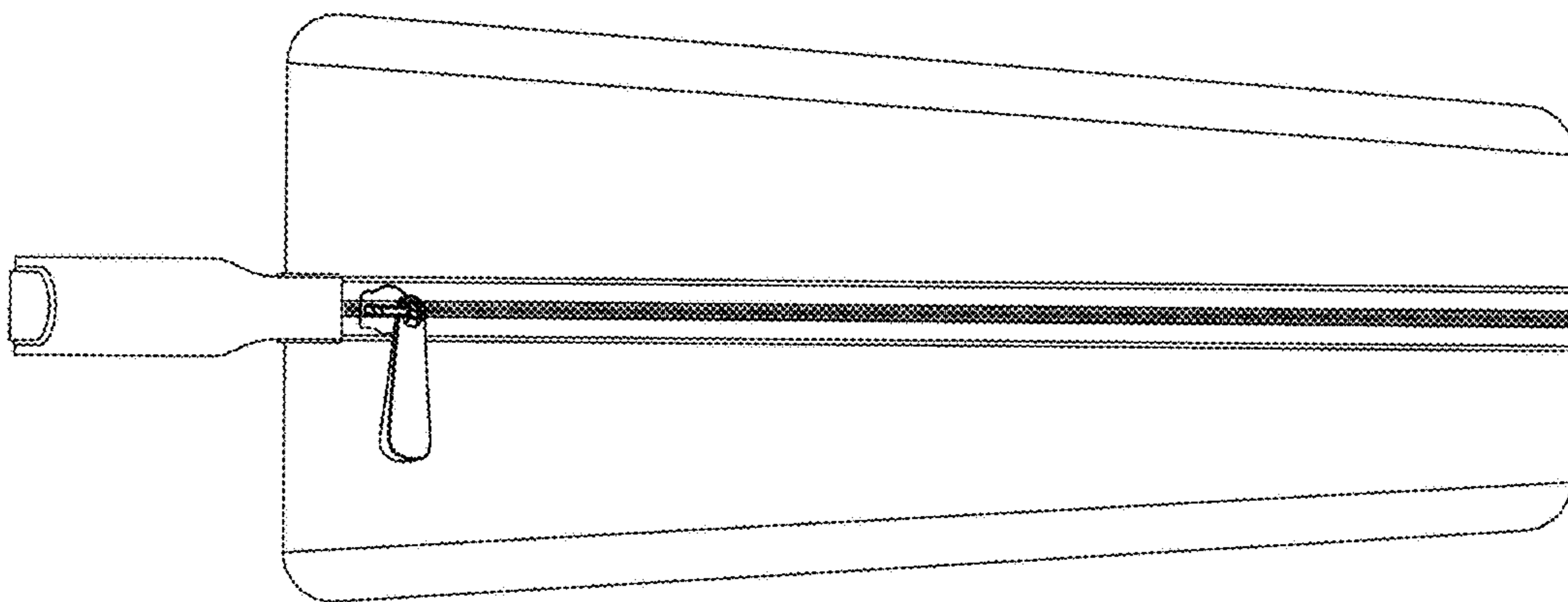


FIG. 4

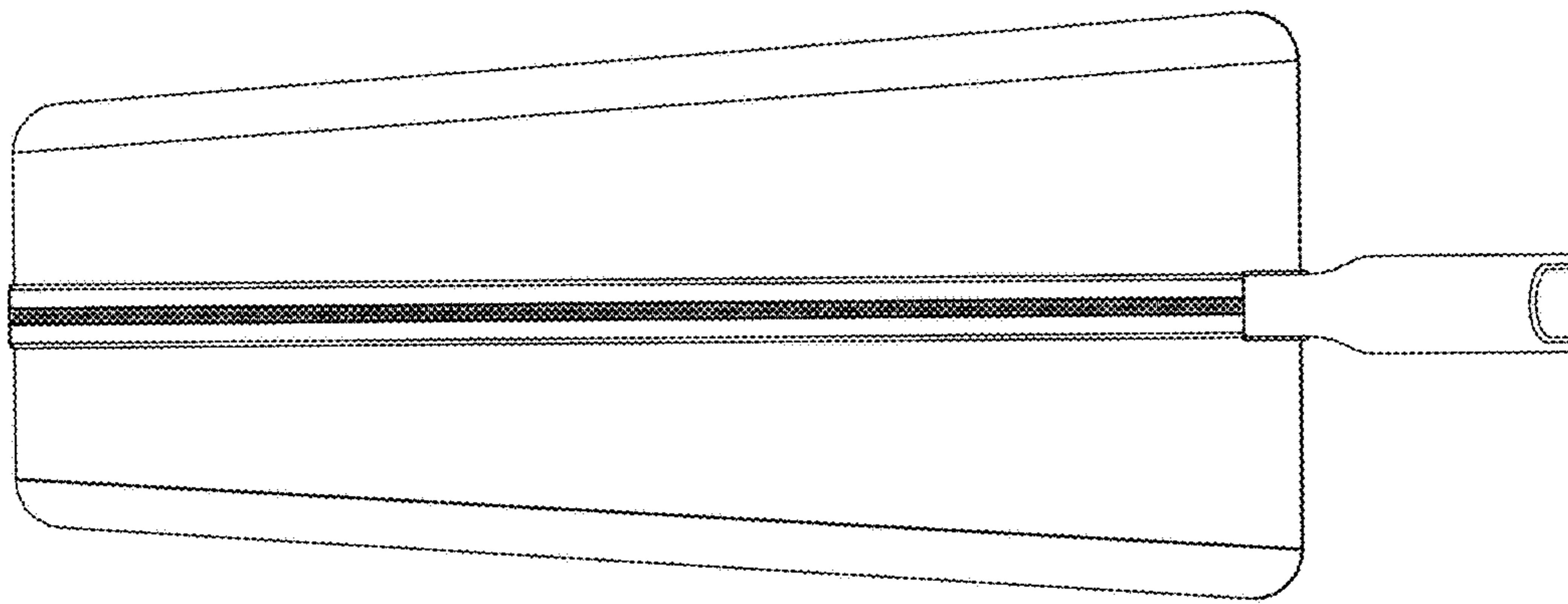


FIG. 5

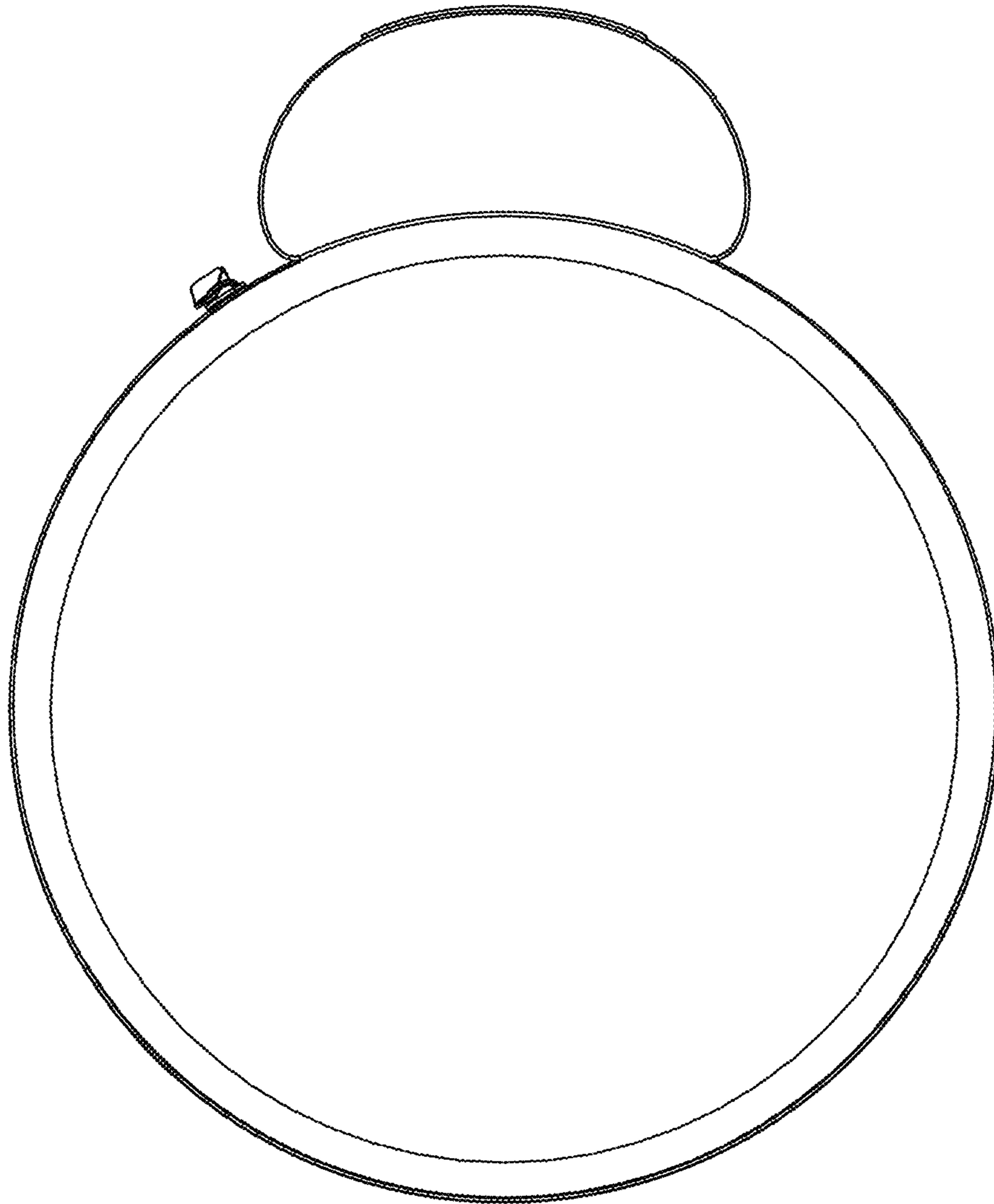


FIG. 6

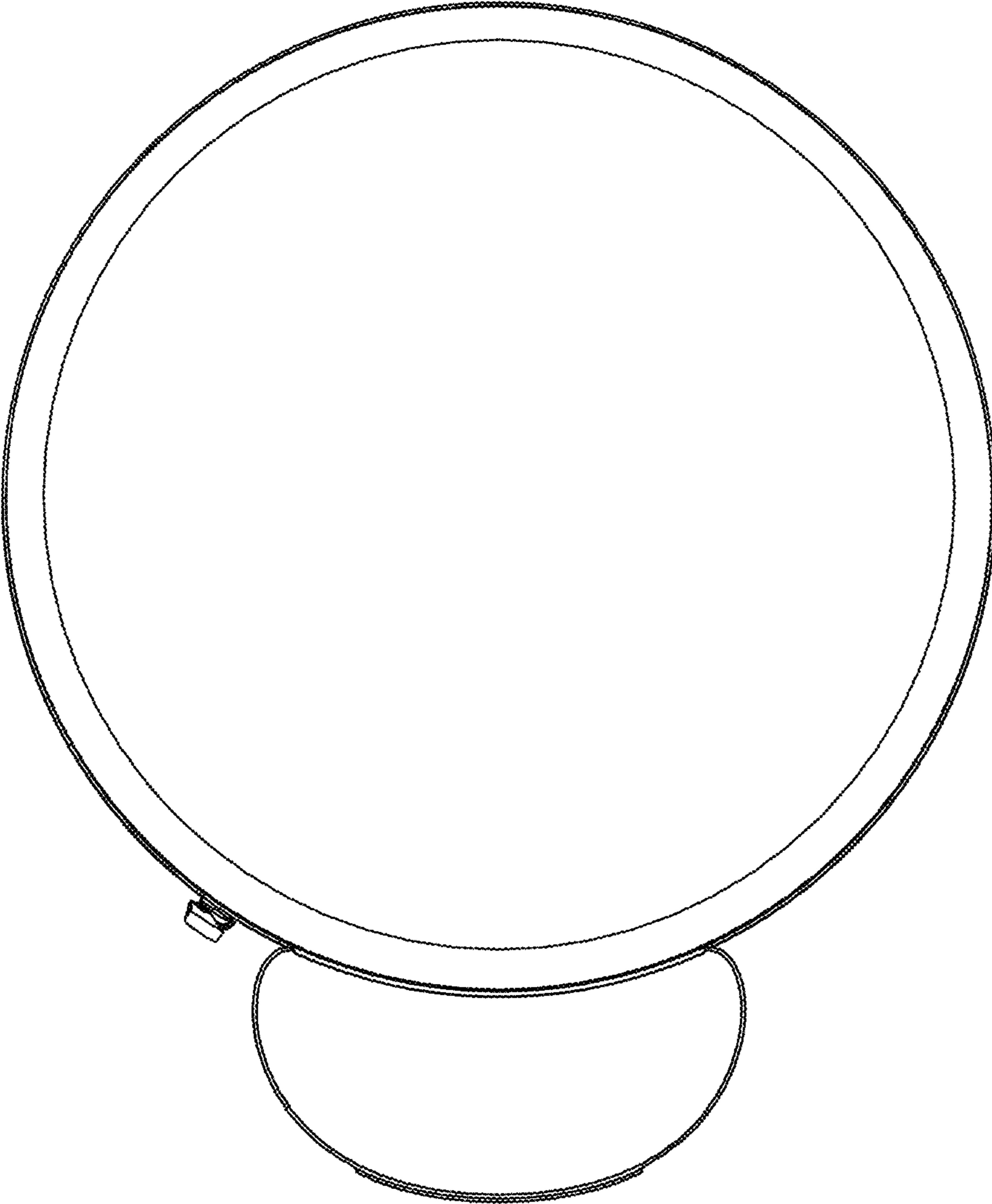


FIG. 7

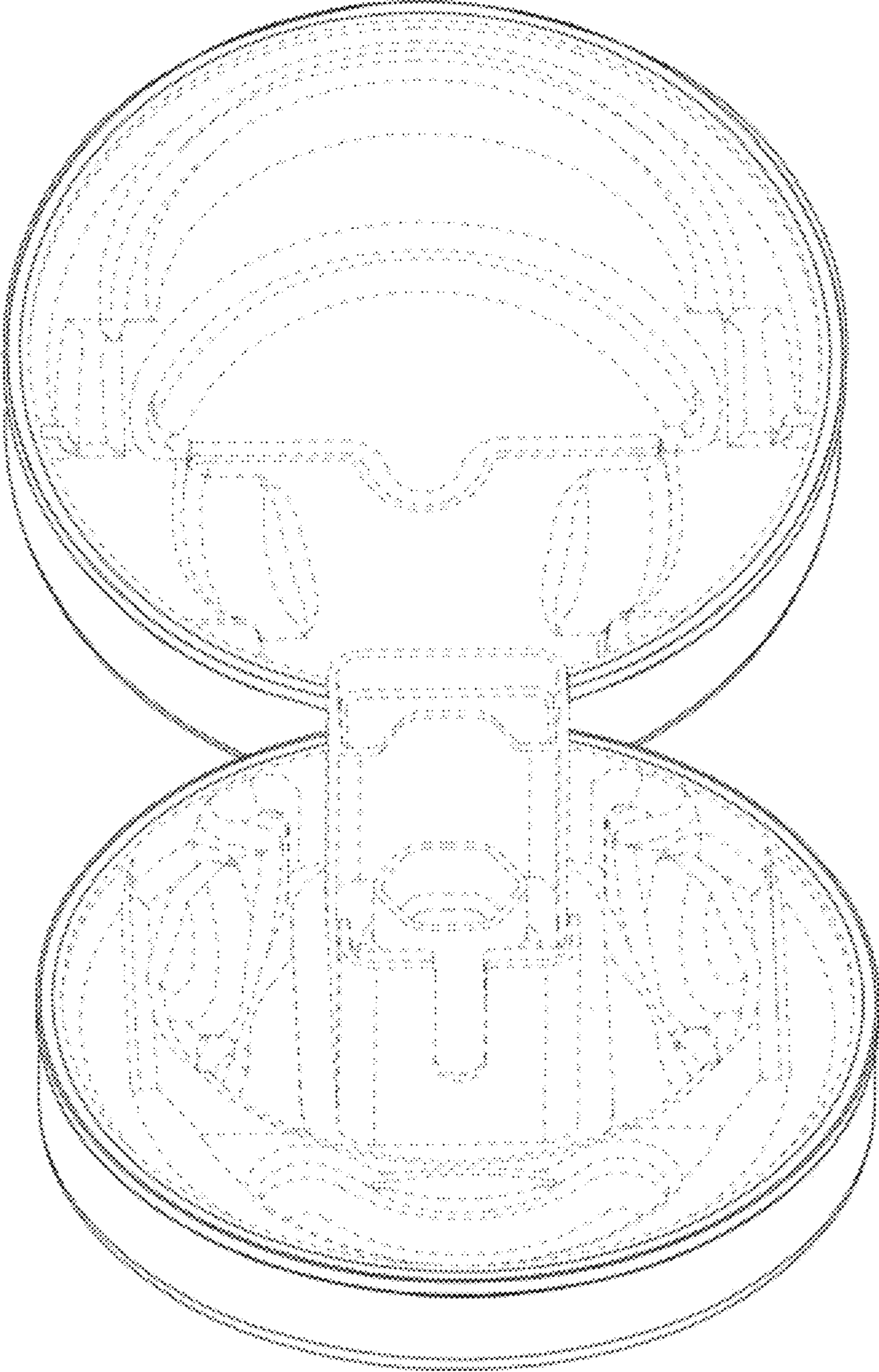


FIG. 8