



US00D779201S

(12) **United States Design Patent** (10) **Patent No.:** **US D779,201 S**  
**Beilman et al.** (45) **Date of Patent:** **\*\* Feb. 21, 2017**

(54) **COSMETIC CASE**  
(71) Applicants: **Debra L. Beilman**, Aventura, FL (US);  
**Florencia Crosa**, North Miami, FL  
(US)  
(72) Inventors: **Debra L. Beilman**, Aventura, FL (US);  
**Florencia Crosa**, North Miami, FL  
(US)

D293,724 S 1/1988 Kingsford et al.  
D308,756 S 6/1990 Turner  
D321,284 S 11/1991 Marsella et al.  
D342,156 S 12/1993 Turner  
D344,412 S 2/1994 Barnhart  
5,363,969 A 11/1994 Shen  
5,813,420 A 9/1998 Sussman  
D411,648 S 6/1999 Markham  
D413,627 S 9/1999 Gray  
D415,614 S \* 10/1999 Akaike ..... D3/272  
(Continued)

(\*\*) Term: **15 Years**

**FOREIGN PATENT DOCUMENTS**

(21) Appl. No.: **29/530,068**

GB 2363712 A 1/2002

(22) Filed: **Jun. 12, 2015**

**OTHER PUBLICATIONS**

(51) **LOC (10) Cl.** ..... **03-01**

(52) **U.S. Cl.**  
USPC ..... **D3/284; D3/288; D3/296; D3/901**

Amazon.com, "Shany Carry All Trunk Professional Makeup Kit"  
Accessed Apr. 6, 2016, Reviewed as early as Dec. 2, 2010. ([http://www.amazon.com/gp/product/B002XXAUE8/ref=s9\\_dcacsd\\_bhz\\_bw\\_c\\_x\\_1](http://www.amazon.com/gp/product/B002XXAUE8/ref=s9_dcacsd_bhz_bw_c_x_1)).\*

(58) **Field of Classification Search**  
USPC ..... **D3/273, 274, 275, 276, 281, 282, 284,**  
**D3/292, 294, 295, 296, 302, 905, 901,**  
**D3/903, 205, 288**  
CPC ..... **A45C 5/04; A45C 11/00; A45C 11/16;**  
**A45C 15/04**

(Continued)

See application file for complete search history.

*Primary Examiner* — Jennifer Rivard  
*Assistant Examiner* — April Rivas  
(74) *Attorney, Agent, or Firm* — Malloy & Malloy, P.L.

(56) **References Cited**

(57) **CLAIM**

**U.S. PATENT DOCUMENTS**

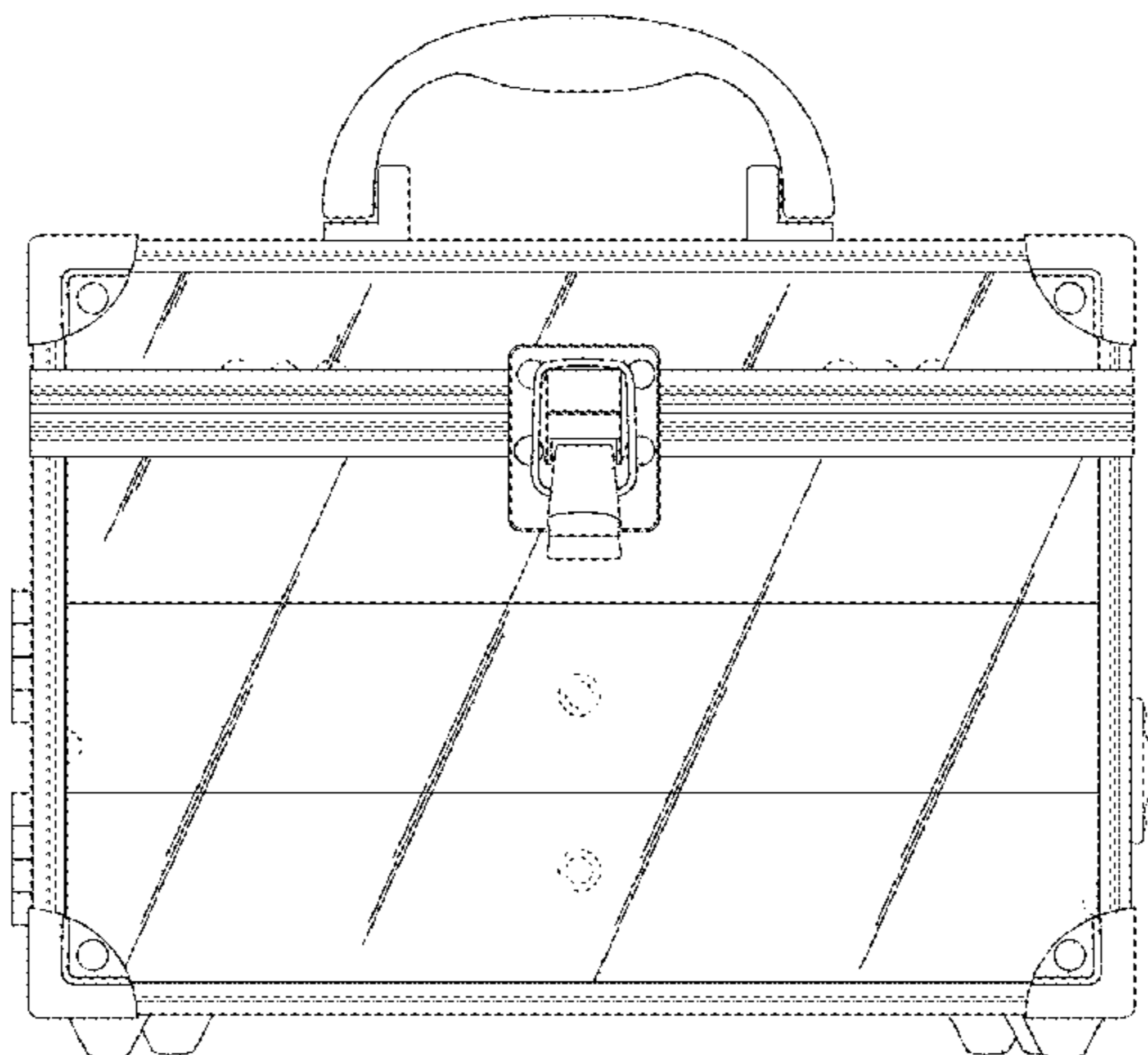
The ornamental design for a cosmetic case, as shown and described.

1,414,899 A	5/1922	Sabatelli
1,592,457 A	7/1926	Greenberg
2,003,824 A	6/1935	Cavalero
2,084,292 A	6/1937	Steiner
D108,590 S	2/1938	Zell
2,117,140 A	5/1938	Bowen
D111,177 S	9/1938	Gamble
2,278,866 A	4/1942	Dell'Elba
D139,428 S	11/1944	Morris
2,570,314 A	10/1951	Brand
2,649,799 A	8/1953	Spertus
2,916,841 A	12/1959	Denis
D230,773 S	3/1974	Arnold
3,921,649 A	11/1975	Milbrath
4,526,273 A	7/1985	Tsuji et al.
4,574,944 A	3/1986	Gregory

**DESCRIPTION**

FIG. 1 is an elevation view illustrating my design for a cosmetic case;  
FIG. 2 is a left side view thereof;  
FIG. 3 is a rear elevation view thereof;  
FIG. 4 is a right side view thereof;  
FIG. 5 is a bottom view thereof;  
FIG. 6 is a top view thereof; and,  
FIG. 7 is a front perspective in an open orientation view thereof.

**1 Claim, 7 Drawing Sheets**



(56)

References Cited

U.S. PATENT DOCUMENTS

D417,783 S	12/1999	Wolf	
6,045,202 A *	4/2000	Simon .....	A45C 11/16 312/107
D444,596 S	7/2001	Lai	
6,349,494 B1	2/2002	Haggarty-Robbins	
D454,687 S *	3/2002	Wolf .....	D3/275
D455,550 S	4/2002	Wolf	
D457,687 S	5/2002	Millar	
D467,428 S	12/2002	Wolf	
D471,010 S	3/2003	Wolf	
D475,197 S	6/2003	Stoddard	
D475,811 S	6/2003	Bontempo	
D480,211 S	10/2003	Wolf	
D485,018 S	1/2004	Beilman	
D485,067 S	1/2004	Wolf	
D485,682 S	1/2004	Wolf	
D493,919 S	8/2004	Beilman	
D510,189 S	10/2005	Greiner	
D517,737 S	3/2006	Lai	
D522,746 S *	6/2006	Perella .....	D3/276
D524,989 S	7/2006	Lombardi	
D527,521 S	9/2006	Sijmons	
D542,475 S	5/2007	Martinez	
D577,196 S	9/2008	Hayden	
D631,201 S	1/2011	Lai	
D657,915 S	4/2012	Lai	
D688,006 S	8/2013	Lai	
D688,831 S	8/2013	Giardina	
D692,183 S	10/2013	Lai	
D723,794 S	3/2015	Lai	
D728,860 S	5/2015	Blanch	
D734,549 S	7/2015	Waller	
D735,993 S	8/2015	Koepke et al.	
D736,519 S *	8/2015	Chui .....	D3/272
2004/0003825 A1	1/2004	Kelly	
2004/0188275 A1 *	9/2004	Wolf .....	A45C 11/16 206/6.1
2007/0235056 A1	10/2007	Vintimiglia et al.	
2009/0139878 A1 *	6/2009	Wejrowski .....	A47B 67/005 206/6.1
2014/0299151 A1	10/2014	Stroud	

OTHER PUBLICATIONS

Freebies for a Cause Blog, "Ulta: \$175 Worth of Ulta Cosmetics Just \$22.44 Shipped! . . .", Accessed Apr. 6, 2016. Posted Oct. 4, 2015. (<http://freebiesforacause.com/ulta-175-worth-of-ulta-cosmetics-just-22-44-shipped-plus-possible-2x-ultimate-rewards-points/>).\*

Youtube, "Giveaway Prize Details! Ulta Be Discovered 67 Piece Collection." cited by applicant Jul. 21, 2016.\*

Aliexpress, "Free Shipping With independent small bag earrings necklaces...space jewelry box". cited by applicant Jul. 21, 2016.\*

The Cosmetic Center Advertising Circular, 1991, Second Page Item Q on Lower Left.

Hong Kong Enterprise June 1993, p. 202: Item No. G902OB.

Hong Kong Enterprise October 1994, p. 760: Item No. M17D.

Cameo Cosmetics. "M229 Train Case". Accessed Nov. 2, 2015. <http://www.cameocosmetics.com/m229-train-case/>.

Google Image Search. "Ulta Sparkle Shine Kit", Accessed Nov. 2, 2015. ([https://www.google.com/search?q=ulta+sparkle+shine+kit&es\\_sm=122&source=lnms&tbn=isch&sa=X&ved=0CAgQ\\_AUoAmoVChMIu4T-5Y\\_yyAIVgWomCh0mWgkD&biw=1920&bih=1067#imgrc=uWr-Z3gEyjn0MM%3A](https://www.google.com/search?q=ulta+sparkle+shine+kit&es_sm=122&source=lnms&tbn=isch&sa=X&ved=0CAgQ_AUoAmoVChMIu4T-5Y_yyAIVgWomCh0mWgkD&biw=1920&bih=1067#imgrc=uWr-Z3gEyjn0MM%3A)).

Amazon.com, "Ivation All-In-One Makeup Kit in Highly Fashionable Red Leather-look Train Case". Reviewed Sep. 21, 2014. Accessed Oct. 30, 2015. ([http://www.amazon.com/Ivation-All-In-One-Makeup-Fashionable-Leather-look/dp/B00N9A78HG/ref=cm\\_cr\\_pr\\_product\\_top?ie=UTF8](http://www.amazon.com/Ivation-All-In-One-Makeup-Fashionable-Leather-look/dp/B00N9A78HG/ref=cm_cr_pr_product_top?ie=UTF8)).

Amazon.com, "Shany All in One Makeup Kit". Reviewed Nov. 12, 2012. Accessed Sep. 30, 2015. ([http://www.amazon.com/SHANY-Eyeshadow-Blushes-Lipstick-Exclusive/dp/B008PW0PY6/ref=cm\\_cr\\_pr\\_product\\_top?ie=UTF8](http://www.amazon.com/SHANY-Eyeshadow-Blushes-Lipstick-Exclusive/dp/B008PW0PY6/ref=cm_cr_pr_product_top?ie=UTF8)).

Giordano Colors, "Catalog" p. 2, item indicated with arrow. Accessed Oct. 30, 2015. (<http://www.giordanocolors.com/#!/products/c24vq>).

Youtube.com user "Supermodel Secrets", "Listen Listen Listen! Shany USA Home and Professional Make Up Sets Review" Video published Jan. 2, 2013. Accessed Oct. 30, 2015. (<https://www.youtube.com/watch?v=9NbzcG2D2U>).

Avon Lady of NJ Blog. "Are you set to give?!", posted Nov. 23, 2013. Accessed Oct. 2, 2015. "p. 2 Gilded Treasures Makeup Set" (<http://avonladynj.com/2013/11/23/are-you-set-to-give/>).

\* cited by examiner

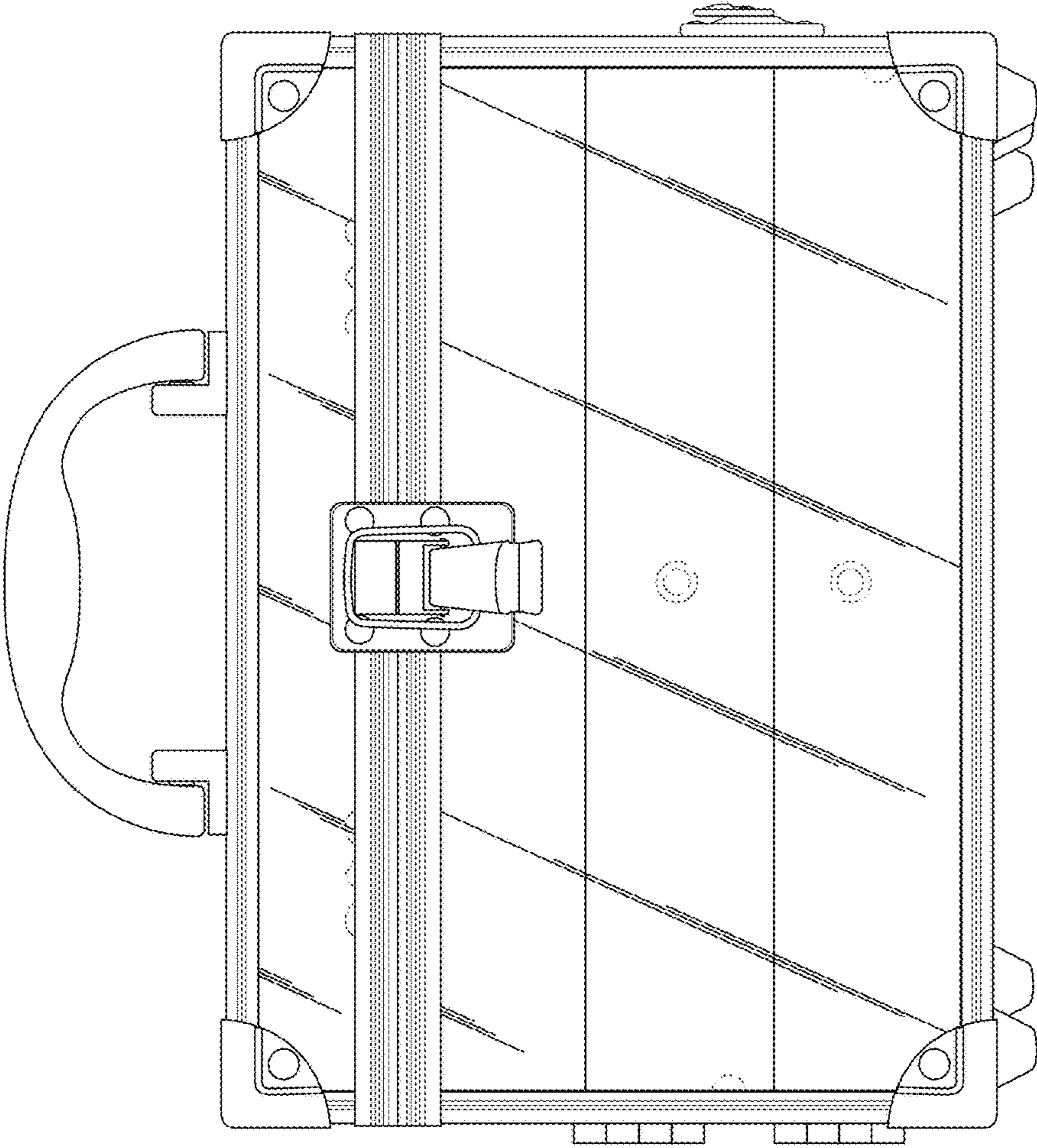


FIG. 1

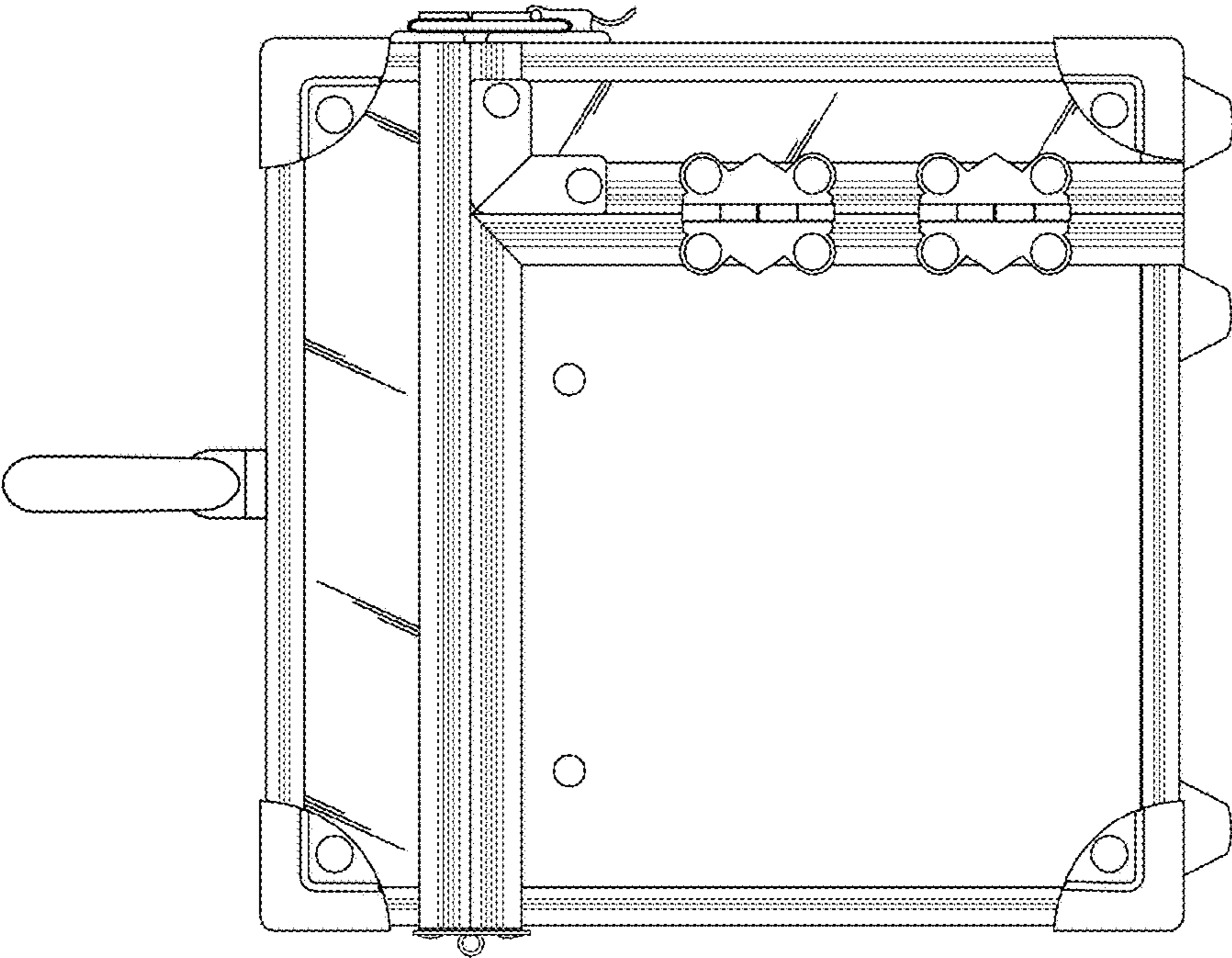


FIG. 2

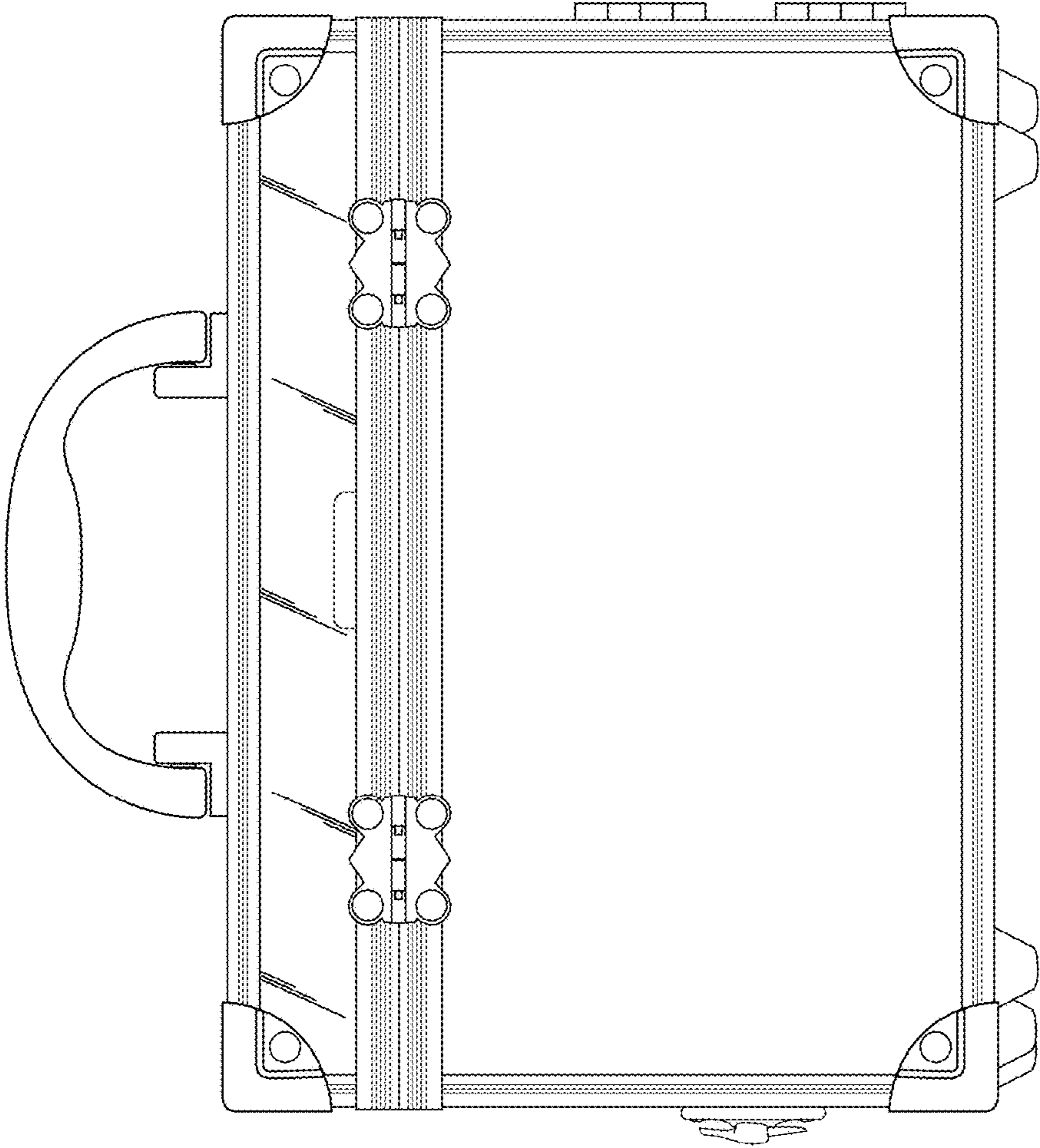


FIG. 3

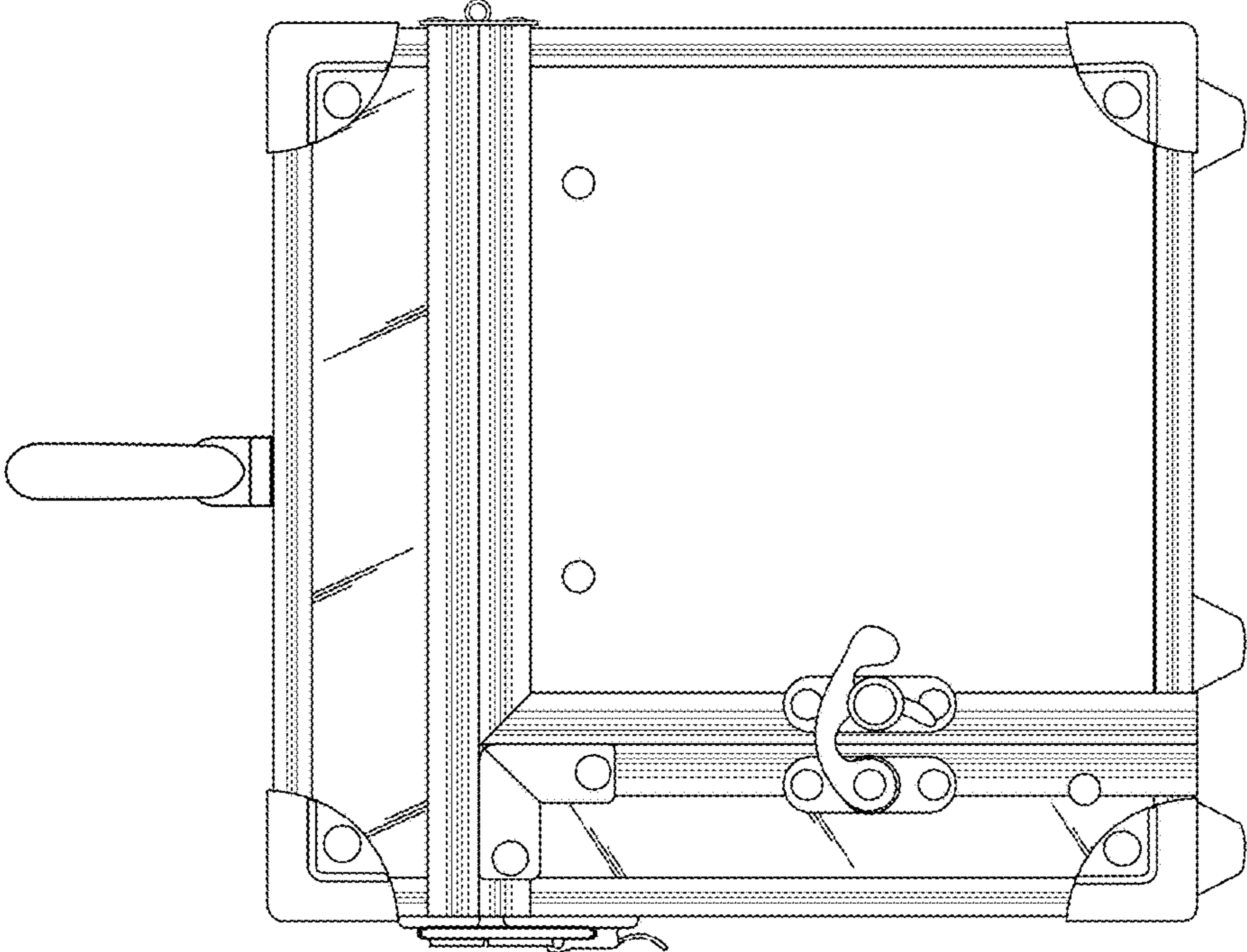


FIG. 4

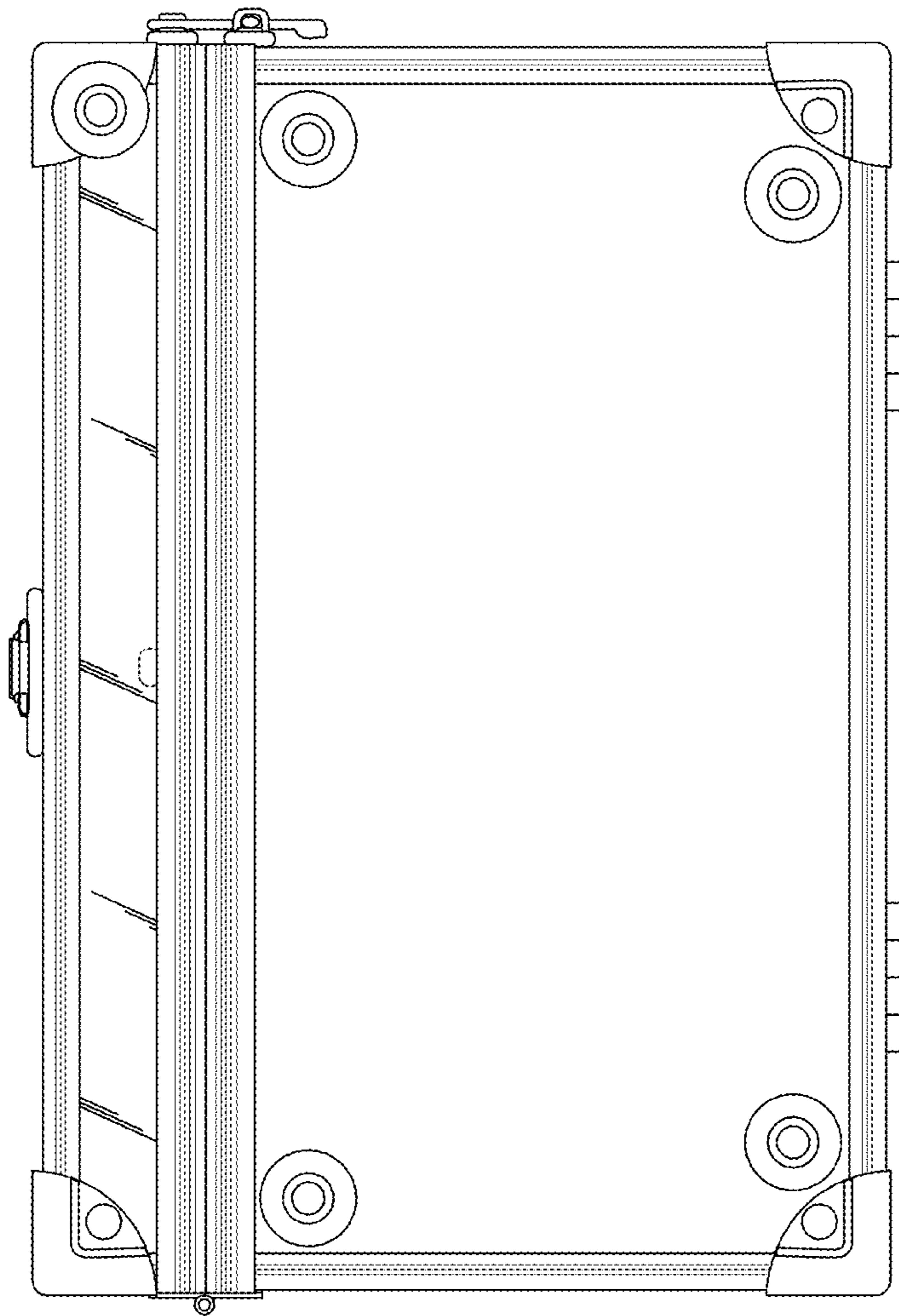


FIG. 5

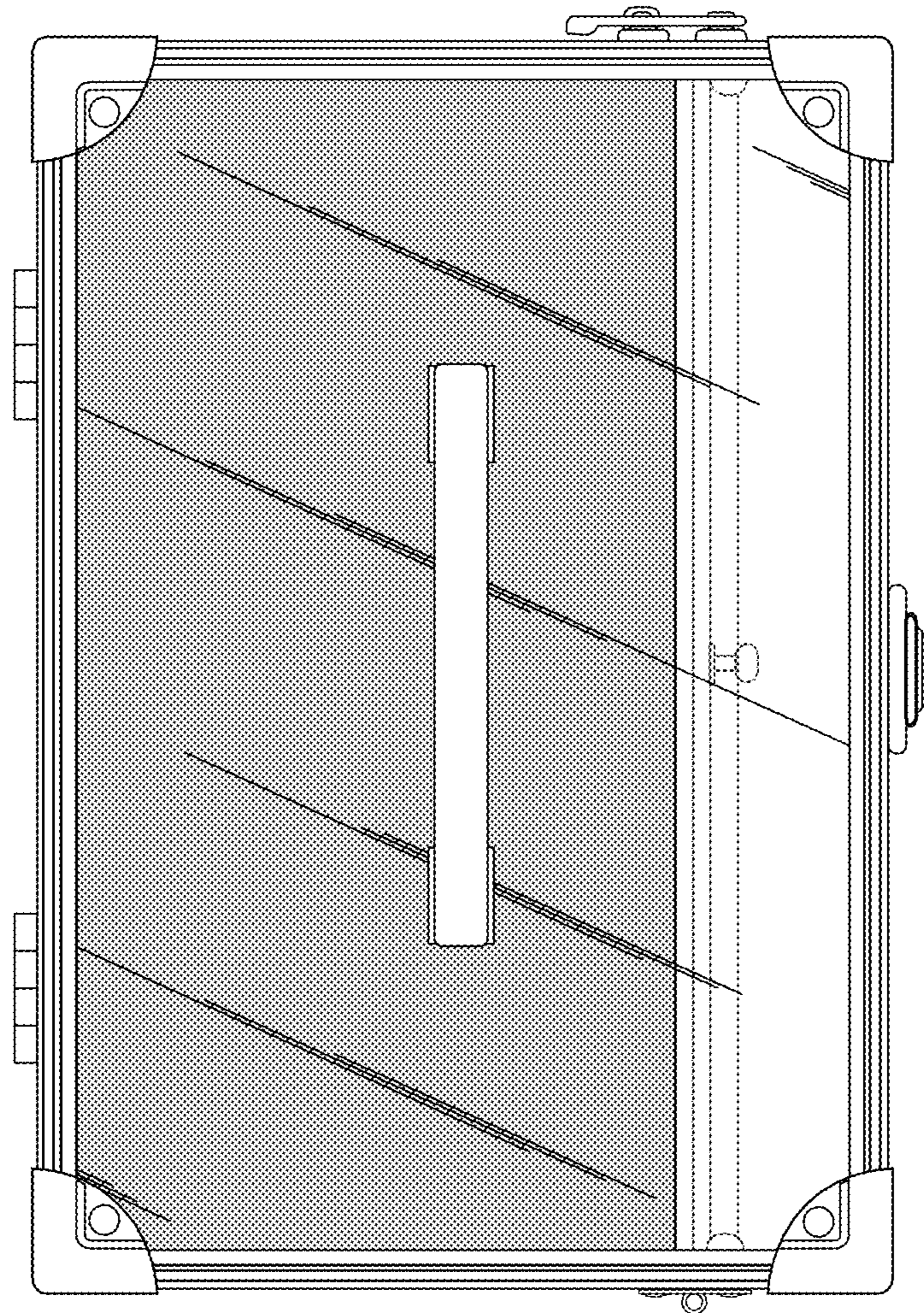


FIG. 6



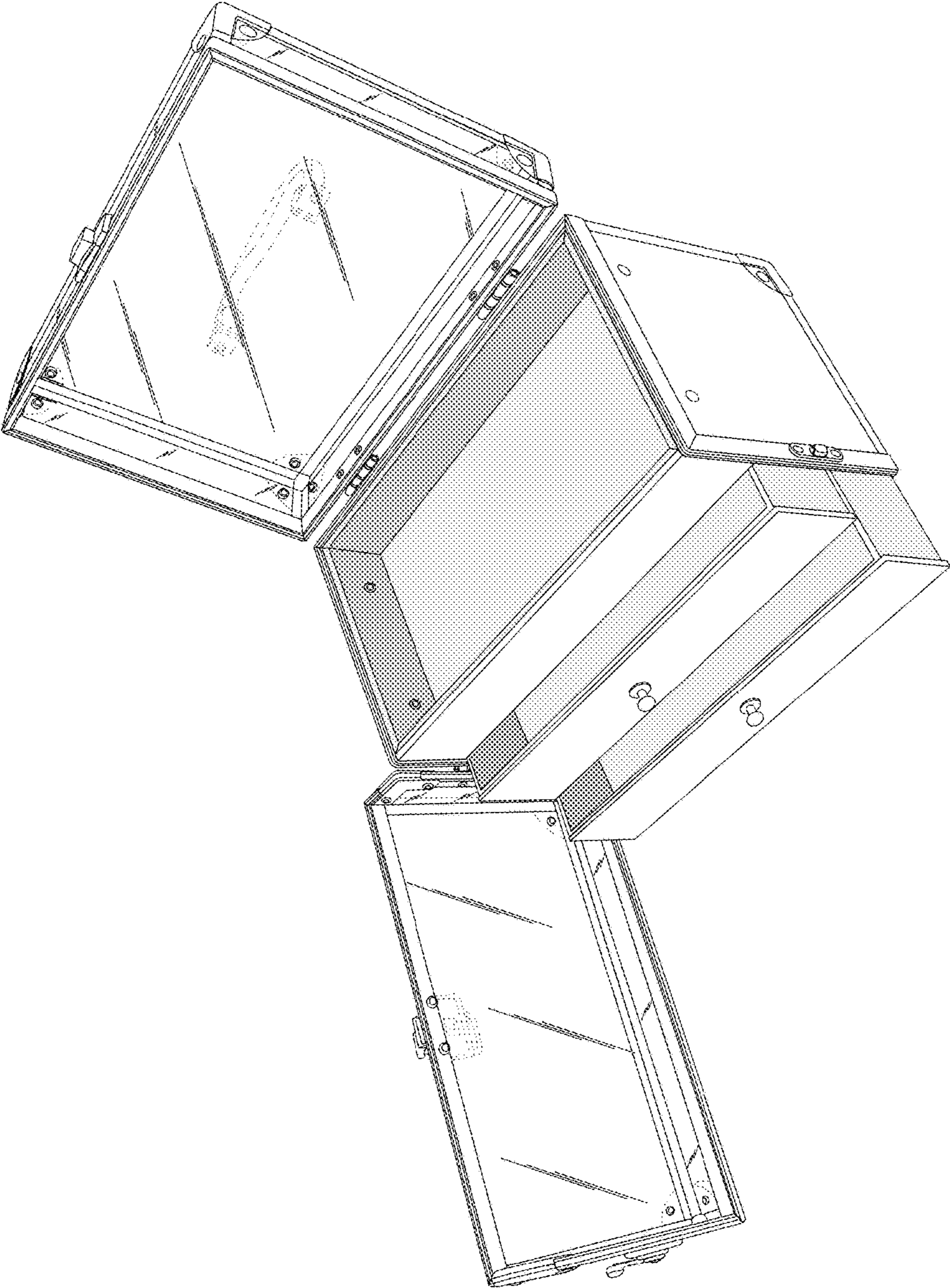


FIG. 7