



US00D779200S

(12) **United States Design Patent** (10) **Patent No.:** **US D779,200 S**
Caglar (45) **Date of Patent:** **** Feb. 21, 2017**

(54) **STORAGE CONTAINER**
(71) Applicant: **Stanley Black & Decker, Inc.**, New Britain, CT (US)
(72) Inventor: **Tolga Caglar**, Middletown, CT (US)
(73) Assignee: **Stanley Black & Decker, Inc.**, New Britain, CT (US)
(**) Term: **15 Years**

RE36,379 E * 11/1999 Slivon B25H 3/023
312/271
D548,491 S * 8/2007 Cohen D6/661.2
D588,907 S * 3/2009 Cesario, Jr. D9/418
D643,234 S * 8/2011 Daino D6/707
D645,282 S * 9/2011 Daino D6/707
D648,534 S * 11/2011 Hsu D3/293
D718,052 S * 11/2014 Costanzo D3/297
D728,932 S * 5/2015 Horovitz D3/276
D741,624 S * 10/2015 Freimuth D6/671.1
D747,875 S * 1/2016 Manalang D3/274
D750,890 S * 3/2016 Quehl D3/281
D764,797 S * 8/2016 Horovitz D3/276

(21) Appl. No.: **29/527,383**
(22) Filed: **May 19, 2015**
(51) **LOC (10) Cl.** **03-01**
(52) **U.S. Cl.**
USPC **D3/273; D3/276; D3/296; D3/297;**
D3/905
(58) **Field of Classification Search**
USPC **D3/273, 274, 275, 276, 281, 284, 292,**
D3/294, 295, 296, 297, 299, 905, 901,
D3/903, 205, 203.1, 279, 282, 242, 301,
D3/302; D9/418, 420-423; D28/76-78,
D28/82-83; D99/28, 34
CPC **A45C 5/04; A45C 11/16; A45C 11/00;**
A45C 5/00
See application file for complete search history.

OTHER PUBLICATIONS

Lowe's web page, "Kobalt 21-in x 27-in 5-Drawers Ball-Bearing Steel Tool Chest (Black)", Apr. 21, 2015.

* cited by examiner

Primary Examiner — Sandra Snapp
Assistant Examiner — Holly E Thurman
(74) *Attorney, Agent, or Firm* — Caeden Drayton; Adan Ayala

(57) **CLAIM**

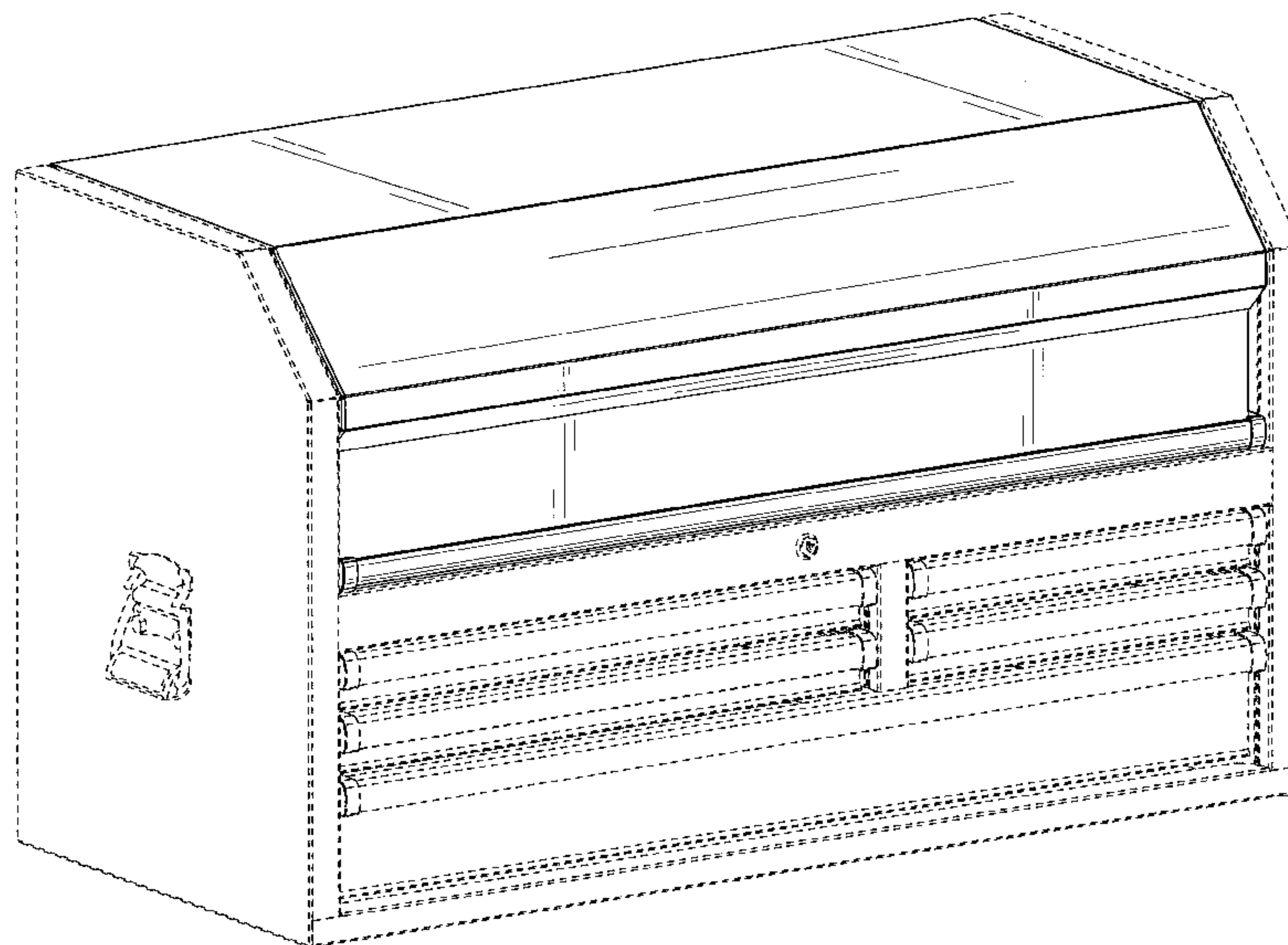
The ornamental design for a storage container, as shown and described.

DESCRIPTION

FIG. 1 is a perspective view of an embodiment of a storage container of our new design.
FIG. 2 is a front view thereof.
FIG. 3 is a left side view thereof; and,
FIG. 4 is a right side view thereof.
The back and bottom of the storage container are not part of our claimed design. The broken lines depict environmental subject matter only and form no part of the claimed design.

1 Claim, 4 Drawing Sheets

(56) **References Cited**
U.S. PATENT DOCUMENTS
D249,589 S * 9/1978 Adams D3/276
4,340,985 A * 7/1982 Potter A47C 9/027
312/902
D304,120 S * 10/1989 Buchanan D3/294
5,332,305 A * 7/1994 Slivon B25H 3/028
312/328
D357,581 S * 4/1995 Rogers D3/273



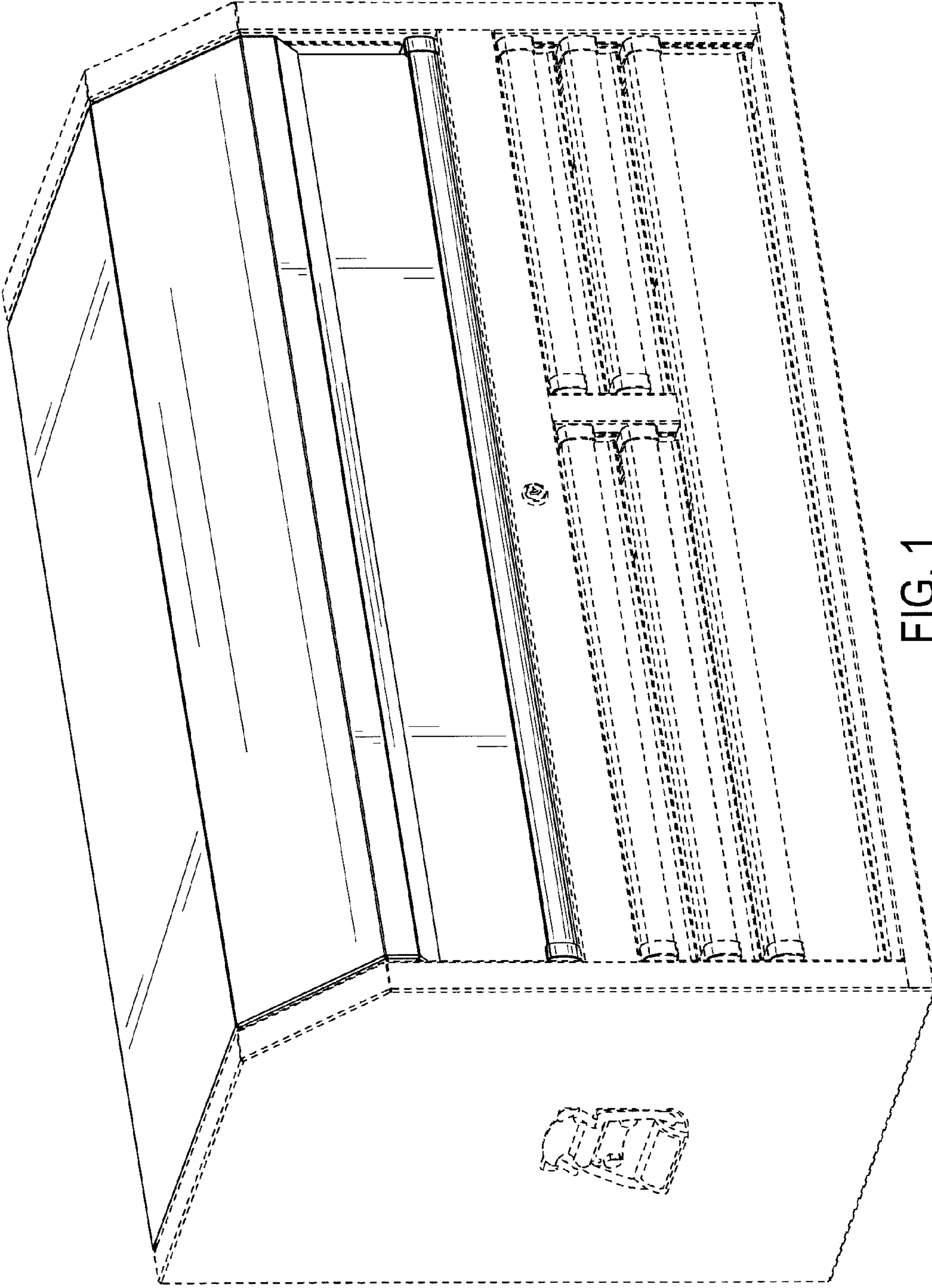


FIG. 1

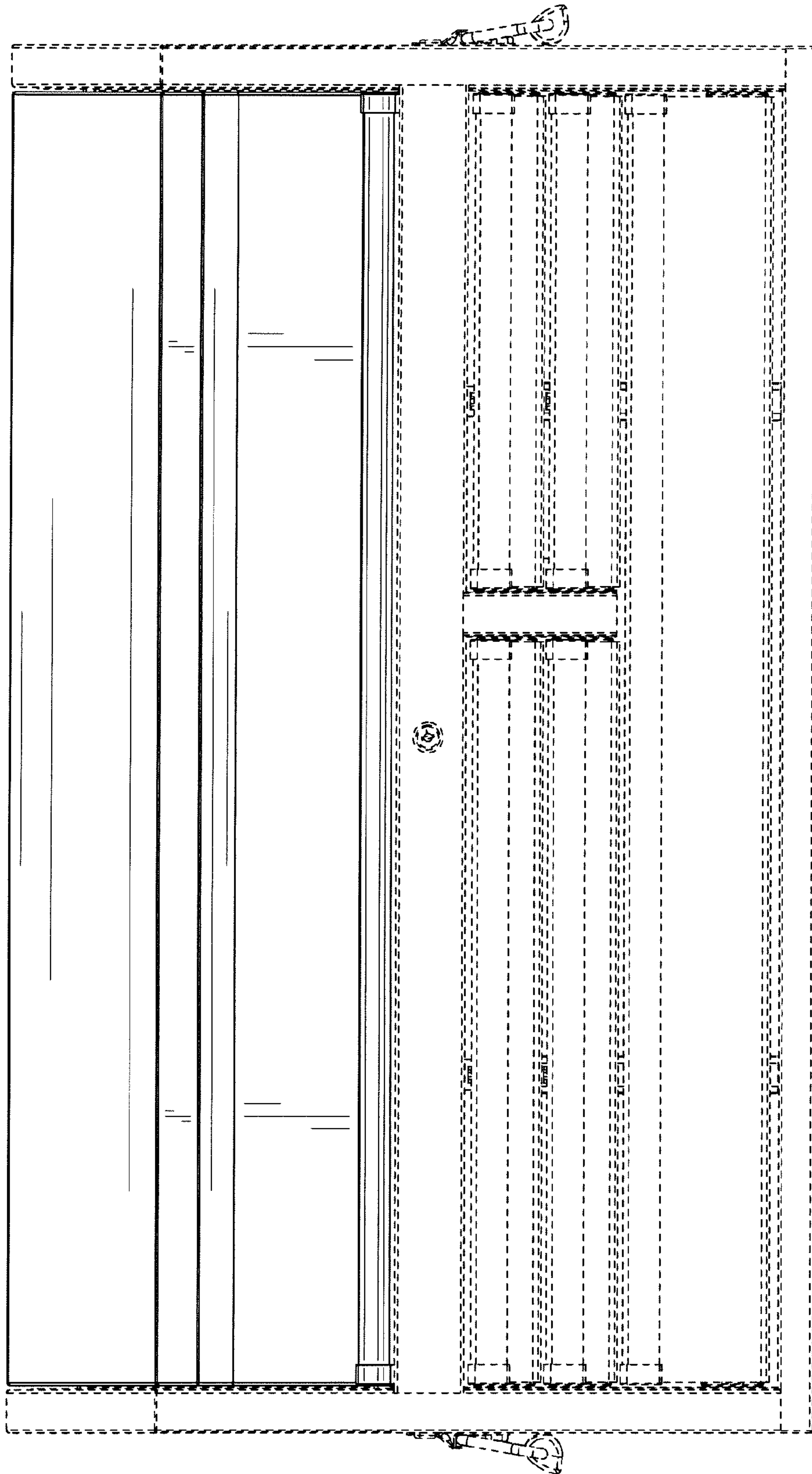


FIG. 2

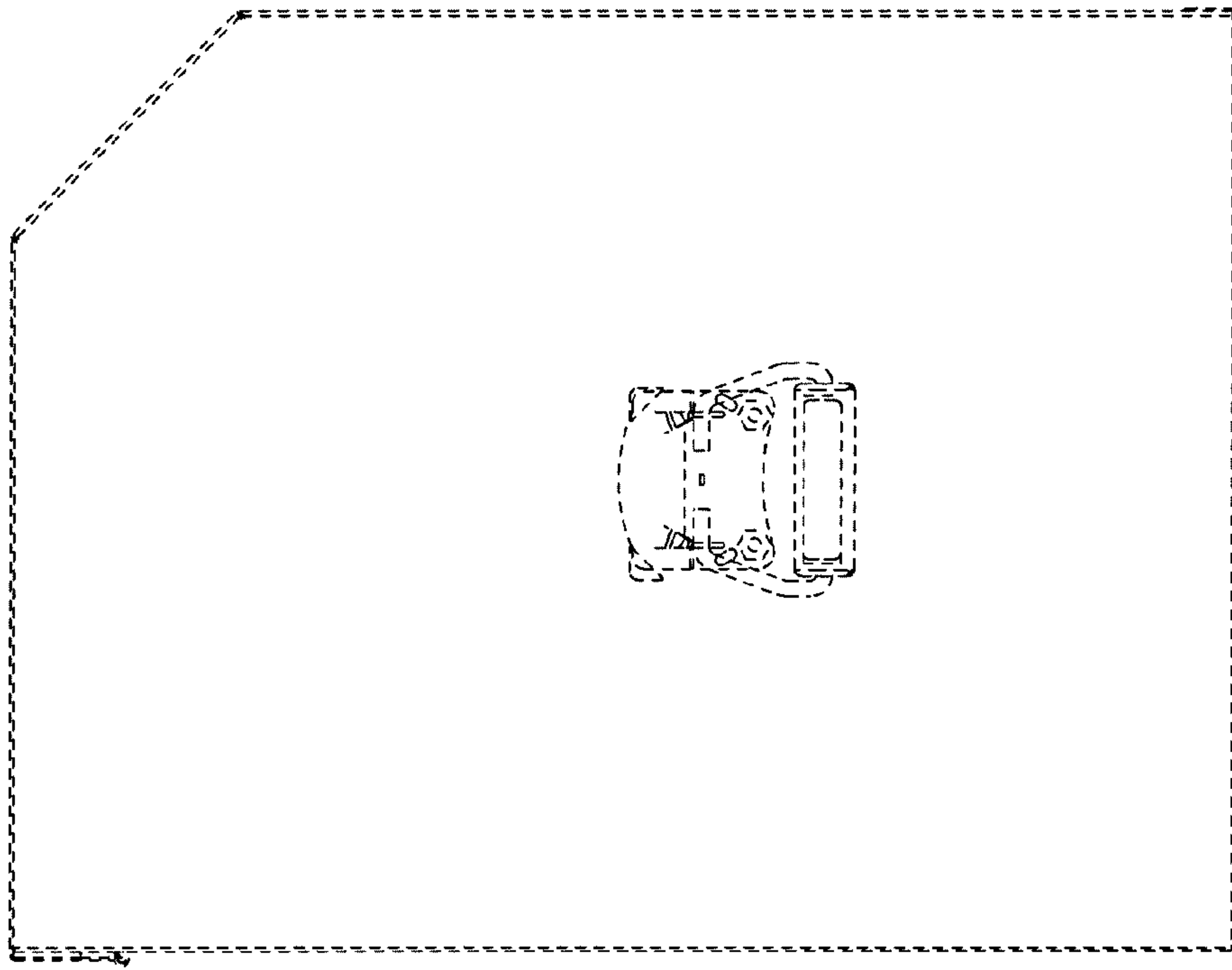


FIG. 3

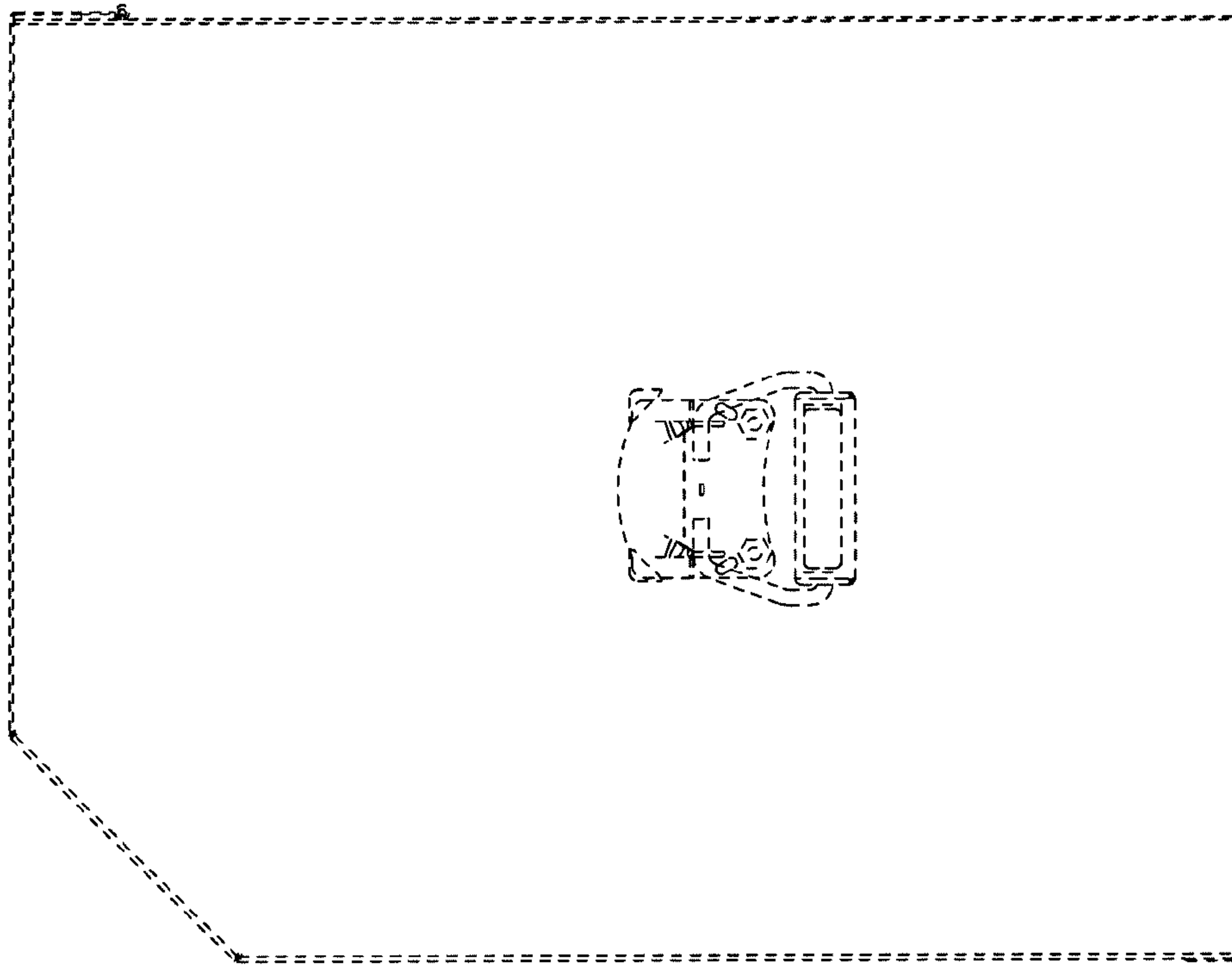


FIG. 4