



US00D779199S

(12) **United States Design Patent** (10) **Patent No.:** **US D779,199 S**
Murphy, Jr. (45) **Date of Patent:** **** Feb. 21, 2017**

(54) **EYEGLASS HOLDER**

(71) Applicant: **H. Stetser Murphy, Jr.**, Marietta, GA (US)

(72) Inventor: **H. Stetser Murphy, Jr.**, Marietta, GA (US)

(**) Term: **15 Years**

(21) Appl. No.: **29/573,864**

(22) Filed: **Aug. 10, 2016**

(51) **LOC (10) Cl.** **03-01**

(52) **U.S. Cl.**
USPC **D3/266**

(58) **Field of Classification Search**
USPC D3/207, 215, 219, 229, 263–268, 301, D3/211; D12/417; D16/330, 339; 24/3.3, D16/3.7, 24/3.8, 563; 206/5, 5.1, 6; 248/902; 351/112, 155; D8/394, 395, 396; D11/215
CPC A45C 11/04; A47F 7/02; A47F 7/021
See application file for complete search history.

1,621,008 A * 3/1927 Fricker B42F 1/06
132/284

D93,143 S 8/1934 Spragg

2,235,986 A 3/1941 Ellingson

2,262,340 A * 11/1941 Shalko A45F 5/022
223/109 R

D171,897 S 4/1954 La Barre

D178,712 S 9/1956 Wilde

3,065,946 A 11/1962 Berkow

3,204,838 A 9/1965 Pulitzer

3,979,934 A 9/1976 Isenmann

4,043,006 A 8/1977 Williams et al.

D248,515 S 7/1978 Olson

(Continued)

(56) **References Cited**

U.S. PATENT DOCUMENTS

374,702 A * 12/1887 Rand G02C 11/00
24/3.3

376,847 A * 1/1888 Ball G02C 11/00
24/3.3

471,734 A 3/1892 Maier, Jr.

543,244 A 7/1895 Hills

D28,534 S * 5/1898 Thomson D11/209

617,074 A 1/1899 Blumenthal

D31,930 S 12/1899 Lane

727,204 A 5/1903 Rogers

1,266,365 A 5/1918 Whittaker

1,273,204 A 7/1918 Tumminello

1,469,317 A * 10/1923 Hayward A45F 5/02
24/3.12

1,493,072 A * 5/1924 Fricker B42F 1/06
132/284

FOREIGN PATENT DOCUMENTS

WO WO9834523 A1 8/1998

WO WO0030488 A1 6/2000

Primary Examiner — T. Chase Nelson
(74) *Attorney, Agent, or Firm* — Thomas B. McGurk

(57) **CLAIM**

I claim the ornamental design for an eyeglass holder, as shown and described.

DESCRIPTION

FIG. 1 is a perspective view of a design of an eyeglass holder illustrating the claimed design;

FIG. 2 is a front view of the design of the eyeglass holder shown in FIG. 1;

FIG. 3 is a back view of the design of the eyeglass holder shown in FIG. 1;

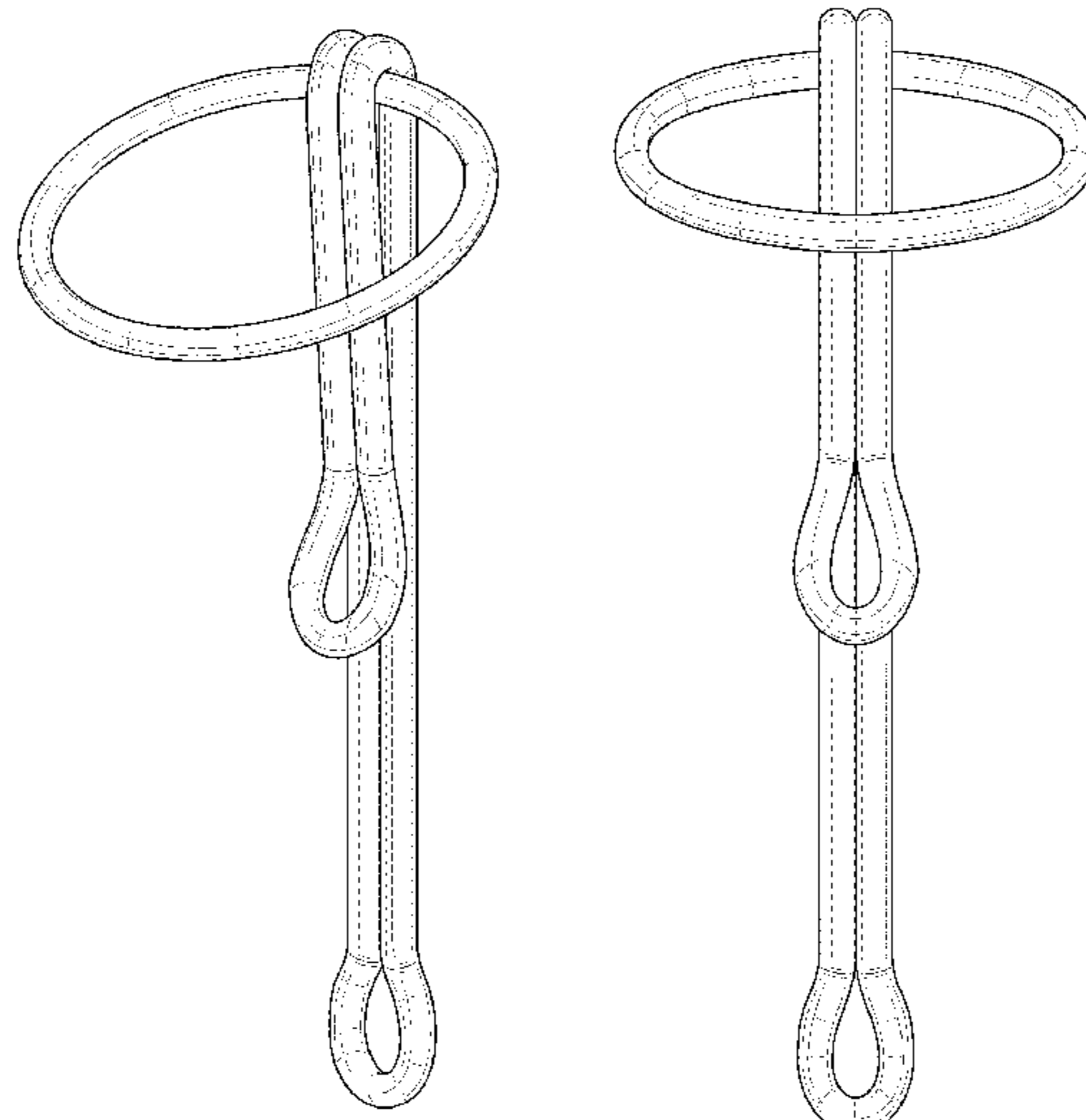
FIG. 4 is a right side view of the design of the eyeglass holder shown in FIG. 1;

FIG. 5 is a left side view of the design of the eyeglass holder shown in FIG. 1;

FIG. 6 is a top view of the design of the eyeglass holder shown in FIG. 1; and,

FIG. 7 is a bottom view of the design of the eyeglass holder shown in FIG. 1.

1 Claim, 7 Drawing Sheets



(56)

References Cited

U.S. PATENT DOCUMENTS

4,113,156 A *	9/1978	Brito	A45F 5/02 224/268	6,076,925 A	6/2000	Kraut	
D252,210 S	6/1979	Zins		D436,742 S	1/2001	Mueller	
4,157,166 A	6/1979	Voelker		D440,400 S *	4/2001	Baldwin	D12/417
4,237,587 A	12/1980	Hsiao et al.		D441,222 S	5/2001	Higazy	
D262,417 S	12/1981	Kim		D445,251 S	7/2001	Newler	
D262,498 S	1/1982	Beilis		6,260,749 B1 *	7/2001	Horovitz	A45F 5/02 206/5
D264,789 S	6/1982	Zyla		D447,877 S	9/2001	Shaffer	
D266,374 S	10/1982	Drake		D448,554 S	10/2001	Zelman	
D271,553 S	11/1983	Kesh		D449,424 S	10/2001	Dorner	
D295,267 S	4/1988	Saraga		6,389,649 B1	5/2002	Metzler	
D295,607 S	5/1988	Rademacher		6,457,218 B1 *	10/2002	Lawrence	B42F 1/10 24/3.12
4,779,829 A	10/1988	Rocke et al.		D470,307 S	2/2003	McCormack	
D298,611 S	11/1988	Saraga		D471,709 S	3/2003	Coyne	
4,894,887 A	1/1990	Ward, II		6,533,414 B2	3/2003	Newler	
D307,679 S	5/1990	Kolton		6,539,587 B2	4/2003	Harrison	
D310,167 S *	8/1990	Reber, II	D12/417	D474,015 S *	5/2003	Brown	D3/215
D316,484 S *	4/1991	Kounis	D11/215	6,598,268 B1 *	7/2003	Zelman	A45F 5/02 24/13
5,014,957 A	5/1991	Nochol, Jr.		D478,630 S *	8/2003	Riggins	D19/78
D318,675 S	7/1991	Ferdi		D478,723 S *	8/2003	Blanton	D3/215
5,033,612 A	7/1991	Bivins		D479,907 S *	9/2003	Ruiz	24/3.6
D319,002 S	8/1991	Mirza		D480,555 S *	10/2003	Bledsoe	D3/215
D321,288 S	11/1991	Nichol, Jr.		6,688,507 B2	2/2004	McCormack	
5,077,850 A	1/1992	Brubaker		6,848,207 B1	2/2005	Powell	
5,123,525 A *	6/1992	Orlowski	A45C 11/04 206/5	D506,056 S *	6/2005	Burns	D3/207
D328,085 S	7/1992	Rickabus		6,938,304 B2 *	9/2005	Chen	A45F 5/00 24/3.12
5,129,617 A	7/1992	MacWilliamson		D510,479 S *	10/2005	Ellis	D3/215
D336,484 S	6/1993	Morrow		D512,833 S	12/2005	Massaro, Jr.	
D337,338 S	7/1993	Chang		D514,310 S	2/2006	Roye	
D345,052 S *	3/1994	Stokke	D11/143	D522,852 S *	6/2006	Nawrocki	D8/395
D345,097 S	3/1994	Triangolo		D523,237 S *	6/2006	Kiriakides	D3/211
5,319,838 A	6/1994	Eppenauer		D523,330 S *	6/2006	Mattesky	D8/395
5,328,137 A	7/1994	Miller		D537,329 S *	2/2007	Blanton	D8/395
5,351,098 A *	9/1994	McDaniels	A45F 5/022 24/3.3	D545,183 S *	6/2007	French	D8/394
D354,677 S *	1/1995	Troyer	D26/138	7,303,276 B2 *	12/2007	Raymond	G02C 3/04 24/905
D358,319 S	5/1995	Porcaro		7,346,934 B1	3/2008	Scott	
5,423,505 A	6/1995	David		D567,076 S	4/2008	Ballard	
D361,032 S *	8/1995	Dougan	D8/395	D586,027 S	2/2009	Wykes et al.	
D361,260 S	8/1995	Trentham		7,487,574 B2 *	2/2009	Lee-Holowka	A45C 11/04 2/1
D364,269 S *	11/1995	Sabosky	D3/207	D590,443 S	4/2009	Goldman et al.	
D364,279 S	11/1995	Hoffman		D593,757 S	6/2009	Barker	
D371,999 S	7/1996	Song		7,553,018 B1 *	6/2009	Riazi	A45F 5/02 24/3.3
D372,937 S	8/1996	Anders		D595,568 S *	7/2009	Ellwood	D8/395
5,551,126 A	9/1996	Wallo		D598,646 S *	8/2009	Castaline	D3/207
D374,344 S	10/1996	Sunderland		7,568,250 B2 *	8/2009	Menard-Flanagan ..	B25H 3/006 24/3.12
5,592,244 A	1/1997	Vyhmeister		D599,105 S *	9/2009	Castaline	D3/207
5,619,774 A *	4/1997	Perry	A45F 5/02 24/3.12	D602,687 S *	10/2009	Castaline	D3/207
D382,105 S *	8/1997	Bonaldi	D11/201	7,607,627 B1 *	10/2009	Mchatet	B60R 7/082 24/3.12
D382,592 S *	8/1997	Maruchi	24/562	D603,604 S *	11/2009	DeSario	D3/219
D386,123 S	11/1997	Fletcher		D604,944 S *	12/2009	Chiu	D3/211
5,697,131 A *	12/1997	Hunt	B42F 1/06 24/336	D605,398 S	12/2009	Rodriguez	
5,699,140 A	12/1997	Fuhrman		D612,231 S	3/2010	Peng	
D394,545 S	5/1998	MacDonald		D620,785 S *	8/2010	St. Germaine	D8/395
5,755,413 A	5/1998	Press		D623,457 S	9/2010	Chen	
D402,459 S	12/1998	Steinmacher		7,850,302 B1 *	12/2010	Riazi	A45F 5/02 24/3.3
D403,294 S *	12/1998	Baldwin	D12/417	D634,117 S	3/2011	Morrish	
D403,295 S *	12/1998	Baldwin	D12/417	D636,189 S	4/2011	Dickinson	
5,842,613 A	12/1998	White		D641,153 S *	7/2011	van den Hurk	D3/215
5,860,191 A	1/1999	Sieger		D643,212 S	8/2011	Rathbun	
5,893,198 A	4/1999	DeCotis		D649,348 S	11/2011	Murphy, Jr.	
5,933,922 A	8/1999	Ochsman		D649,581 S *	11/2011	Foulger	D16/339
5,941,487 A	8/1999	Keely		D650,827 S *	12/2011	Northington	D16/330
5,956,812 A	9/1999	Moennig		D652,830 S *	1/2012	Nazar	D12/417
D415,343 S *	10/1999	Maddox	D3/207	D661,091 S	6/2012	Murphy, Jr.	
5,966,783 A *	10/1999	Genereux	A47F 7/021 24/557	D668,042 S	10/2012	Nannestad	
D416,365 S	11/1999	Case et al.		D670,903 S *	11/2012	Ormsbee	D3/215
D416,675 S *	11/1999	MacDonald	D3/207	D674,590 S *	1/2013	Busch	D3/207
5,975,476 A	11/1999	Mancinelli		D683,951 S *	6/2013	Busch	D3/207
6,039,173 A	3/2000	Crow					

(56)

References Cited

U.S. PATENT DOCUMENTS

8,469,511 B2 *	6/2013	Miller	A45F 5/02	24/3.3	2003/0131449 A1	7/2003	McCormack	
D685,986 S *	7/2013	Lazott	D3/215		2003/0229971 A1	12/2003	Coyne	
D686,062 S *	7/2013	Thompson	D8/394		2004/0025216 A1	2/2004	Marogil	
D686,910 S *	7/2013	Towell, Jr.	D8/395		2005/0146676 A1	7/2005	Silvestro	
D699,556 S *	2/2014	Hendricks	D8/354		2005/0241115 A1	11/2005	Zoullas	
D706,124 S *	6/2014	Banasik	D8/370		2006/0055866 A1	3/2006	Dietz	
D707,444 S	6/2014	Murphy, Jr.				2007/0006425 A1 *	1/2007	Woodbury A45C 11/04
D707,445 S *	6/2014	Murphy, Jr.	D3/266					24/3.3
8,739,368 B2	6/2014	Murphy, Jr.				2008/0010782 A1 *	1/2008	Sturdy A45F 5/02
D708,861 S	7/2014	Doenges							24/3.3
D710,097 S *	8/2014	Forbus	D3/266		2009/0019671 A1 *	1/2009	Trullas A45F 5/02
D710,595 S *	8/2014	Clifton, Jr.	F41C 33/043					24/3.3
				D3/215		2009/0025186 A1 *	1/2009	Lee-Holowka A45C 11/04
D717,541 S *	11/2014	Forbus	D3/266					24/3.3
8,914,949 B2 *	12/2014	Thomson	A45C 1/06		2009/0083945 A1	4/2009	Huang	
						2009/0126159 A1 *	5/2009	Murphy, Jr. A45F 5/00
				D3/215					24/3.3
D727,139 S *	4/2015	Johnston	D22/147		2009/0284709 A1 *	11/2009	Didner A45F 5/02
D732,009 S *	6/2015	Bak	D14/229					351/112
D739,612 S *	9/2015	Kronebusch	D29/130		2010/0180406 A1 *	7/2010	Mor G02C 3/04
D742,732 S *	11/2015	Vinsonhaler	D8/394					24/3.3
D745,776 S *	12/2015	Perreault	D3/215		2011/0220691 A1	9/2011	Kahn	
D754,964 S *	5/2016	Hernandez	D3/207		2011/0277276 A1 *	11/2011	Pucci A44B 9/20
D756,644 S *	5/2016	Murphy, Jr.	D3/266					24/3.3
D770,725 S *	11/2016	Warner	D2/639		2012/0272483 A1 *	11/2012	Moore A42B 1/247
D770,887 S *	11/2016	Sudol	D8/395					24/3.3
D771,371 S *	11/2016	Taylor	D3/215		2014/0317887 A1 *	10/2014	Santilli A45F 5/04
2002/0131016 A1	9/2002	Newler							24/8
2002/0170147 A1	11/2002	Heller				2016/0025996 A1 *	1/2016	Bacon G02C 3/04
2003/0014845 A1	1/2003	Harrison							24/3.3
						2016/0058210 A1	3/2016	Strassburger	

* cited by examiner

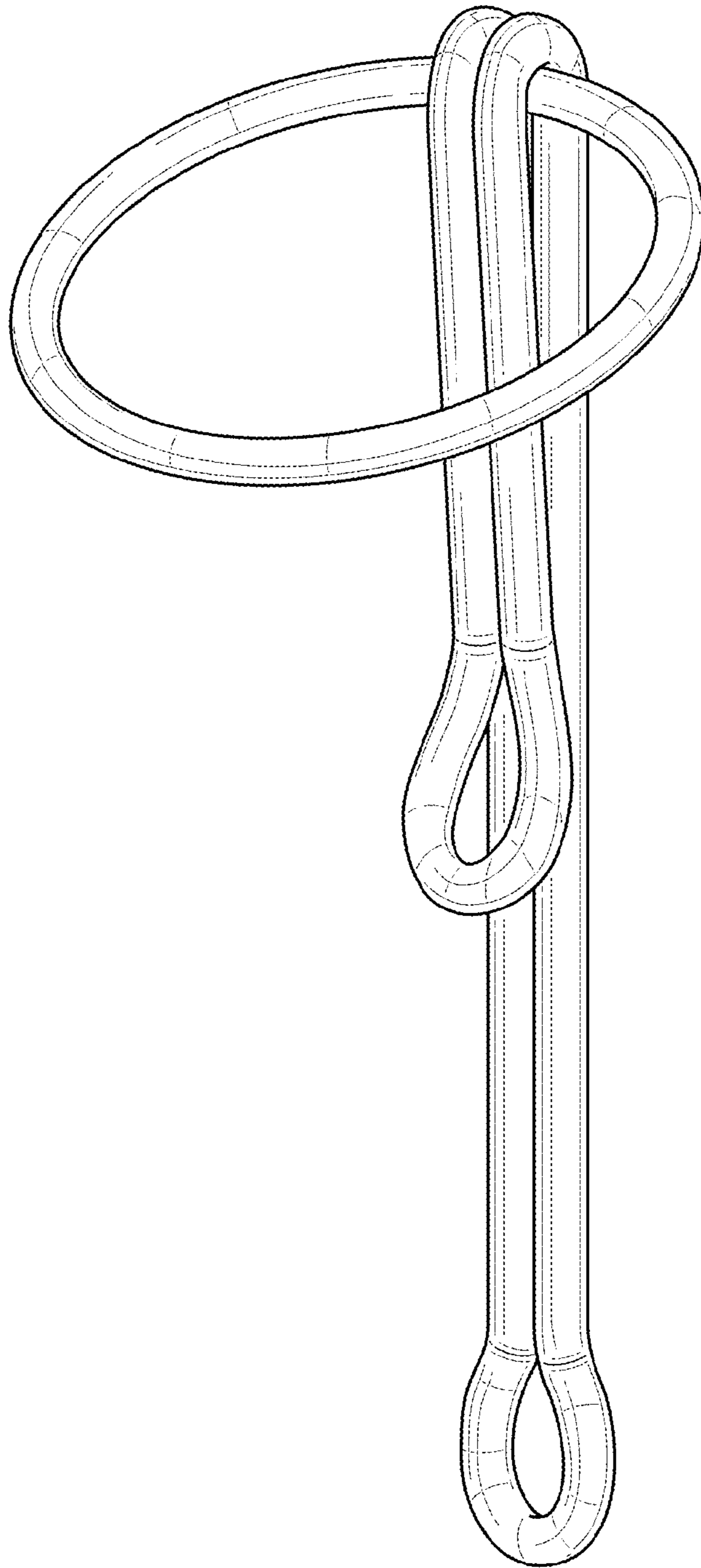


FIG. 1

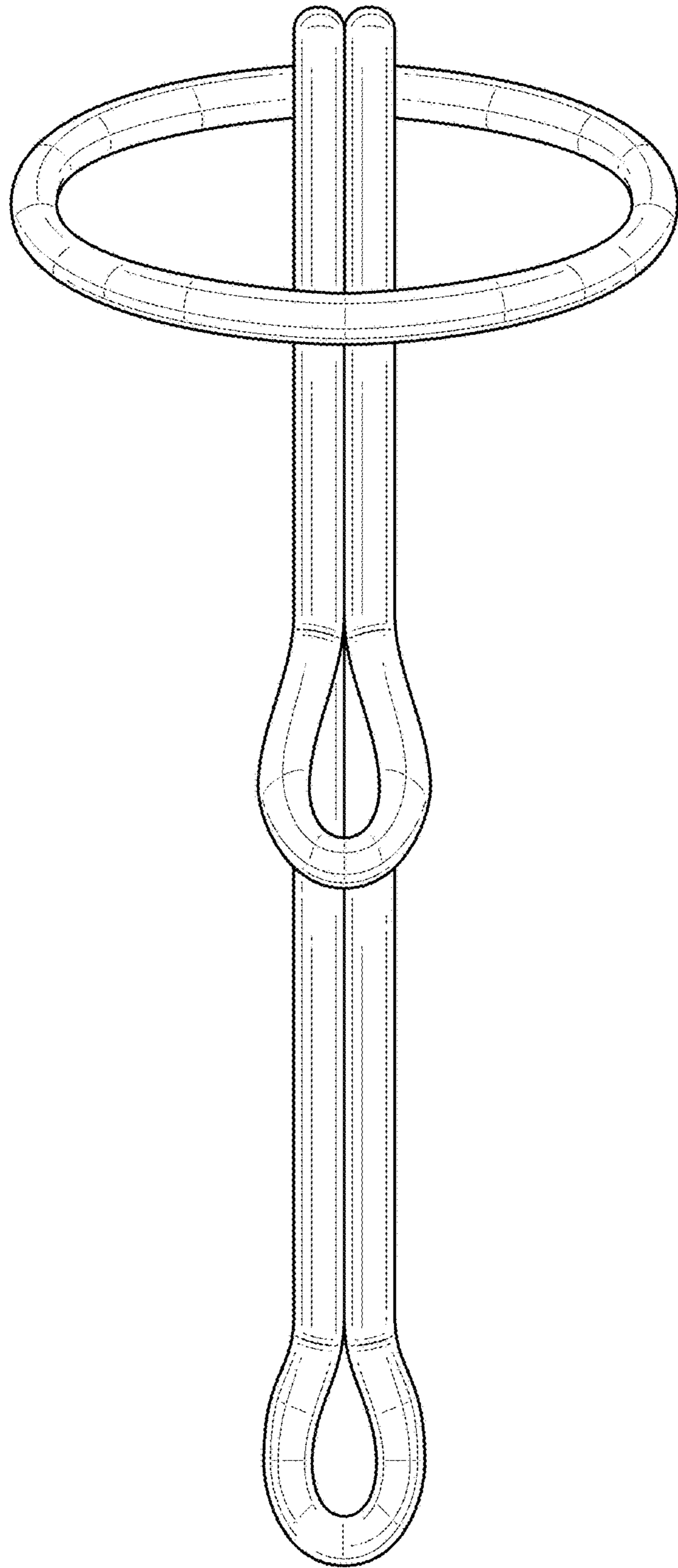


FIG. 2

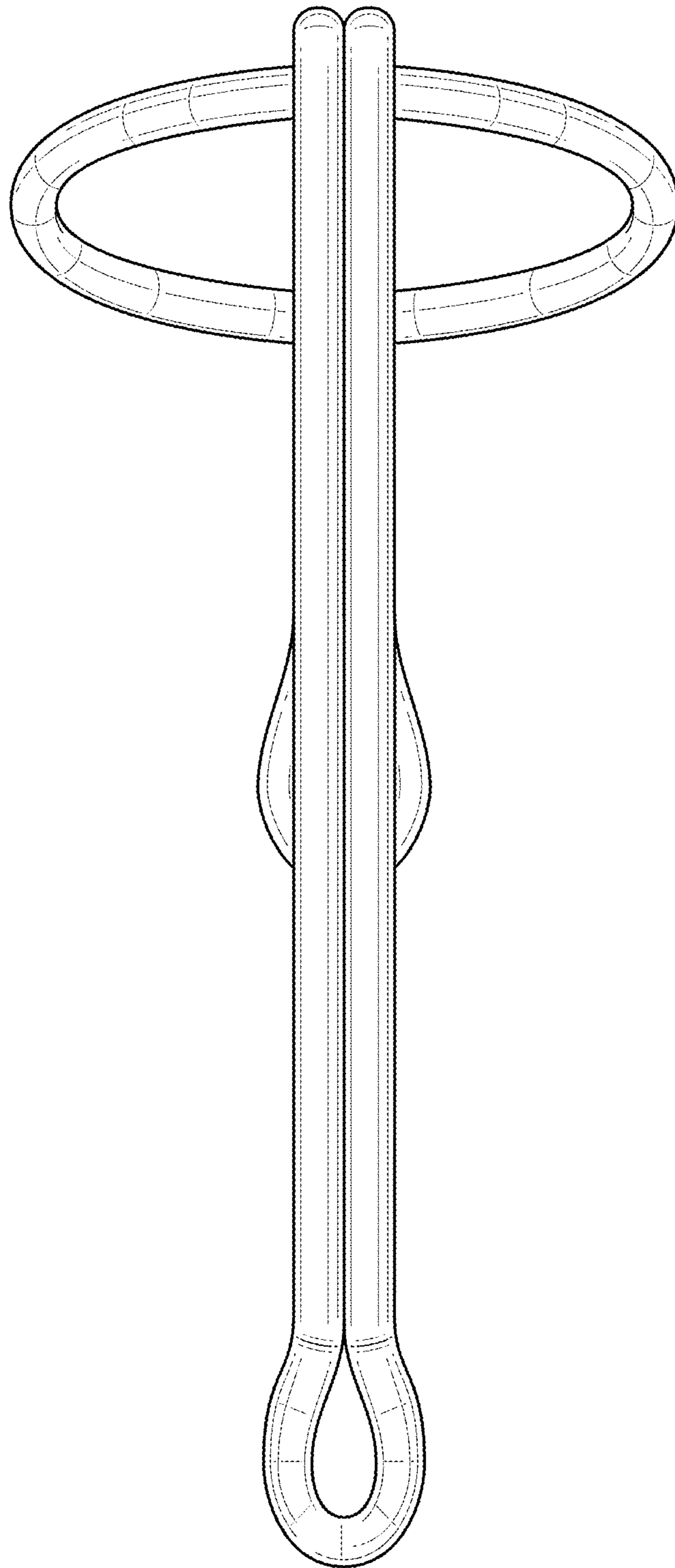


FIG. 3

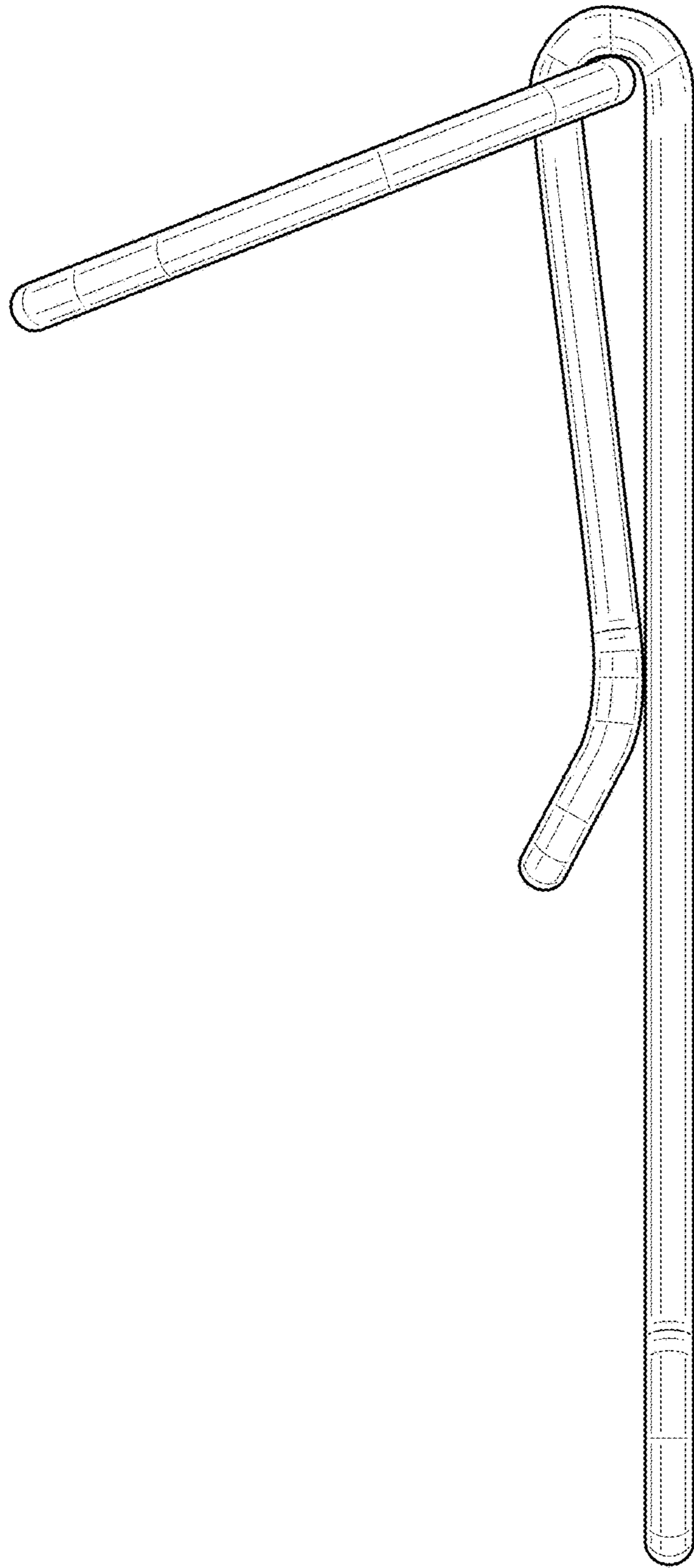


FIG. 4

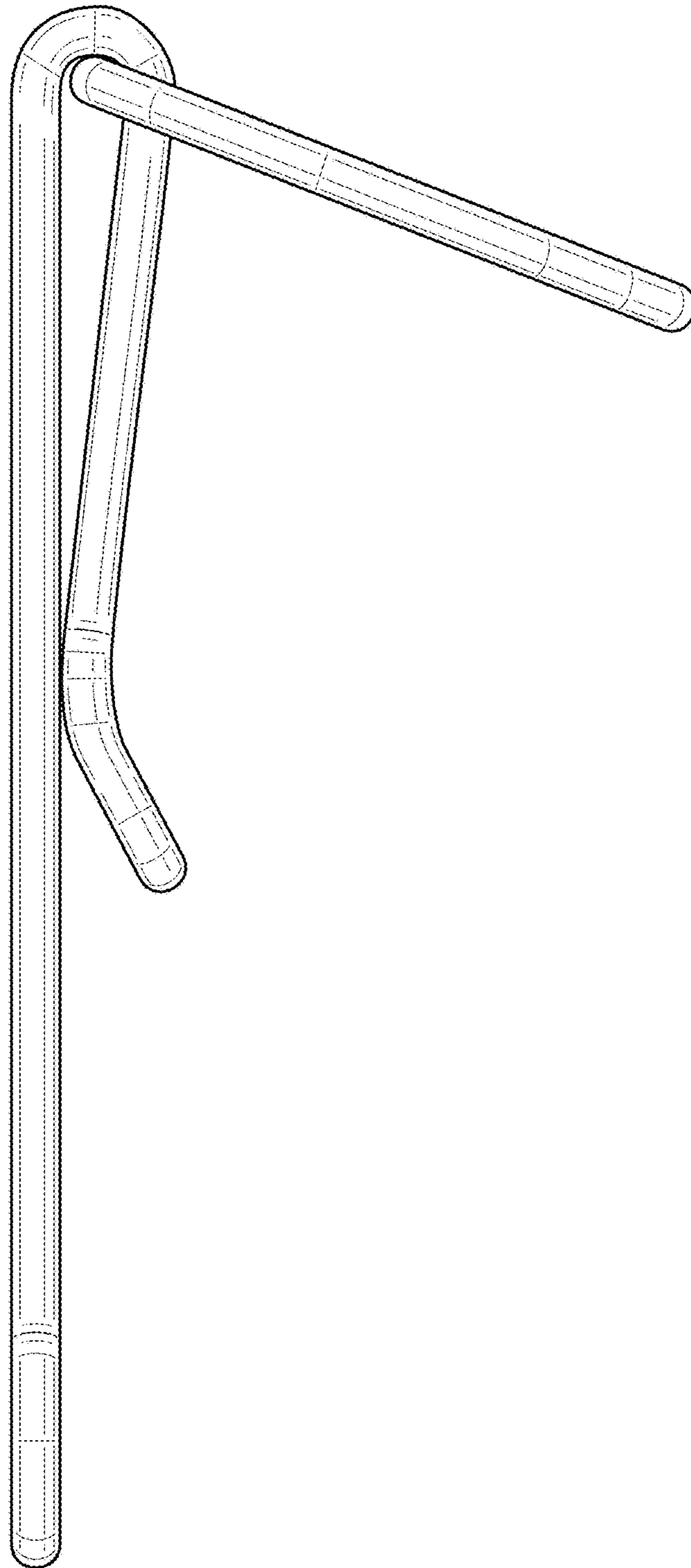


FIG. 5

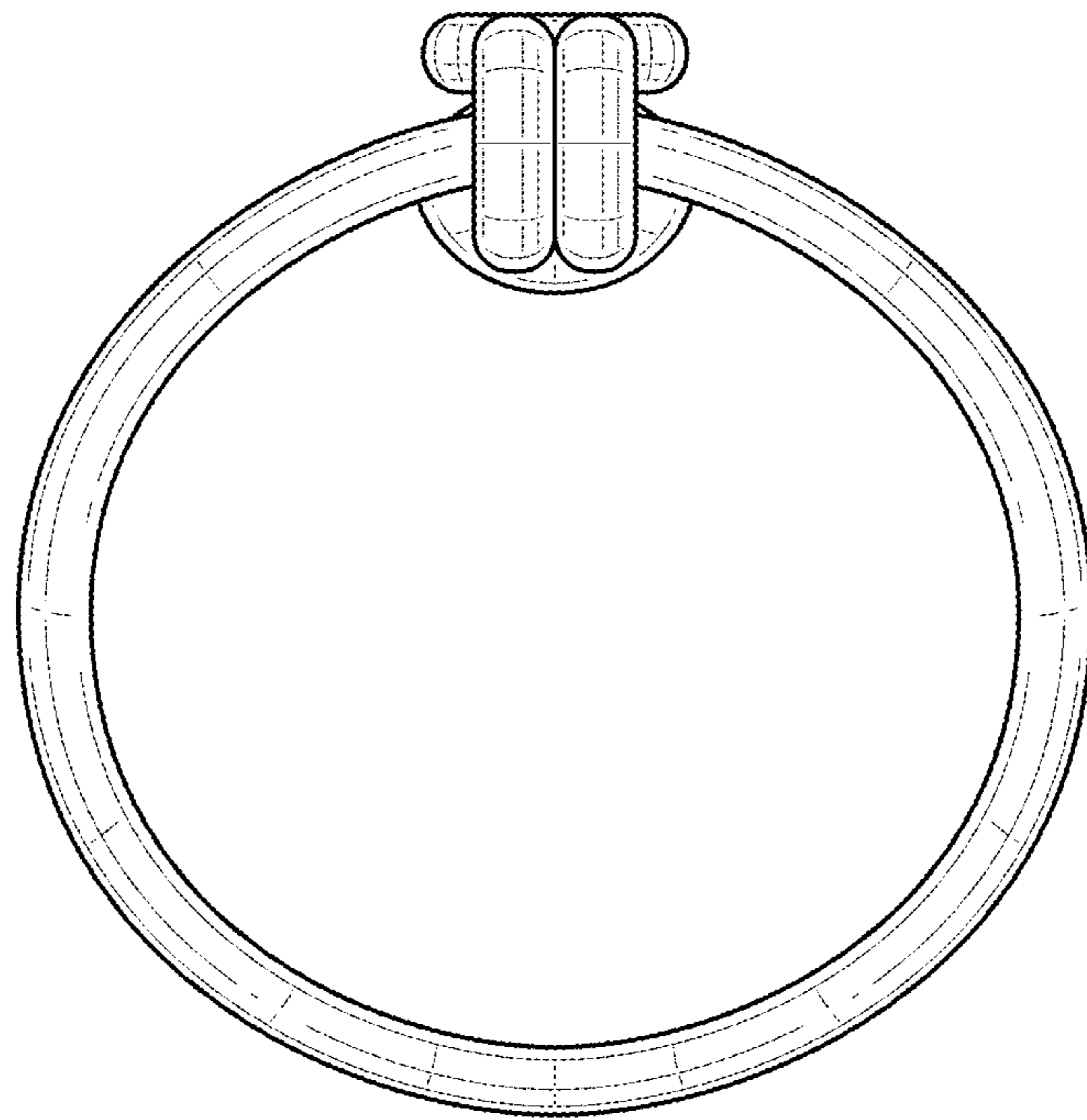


FIG. 6

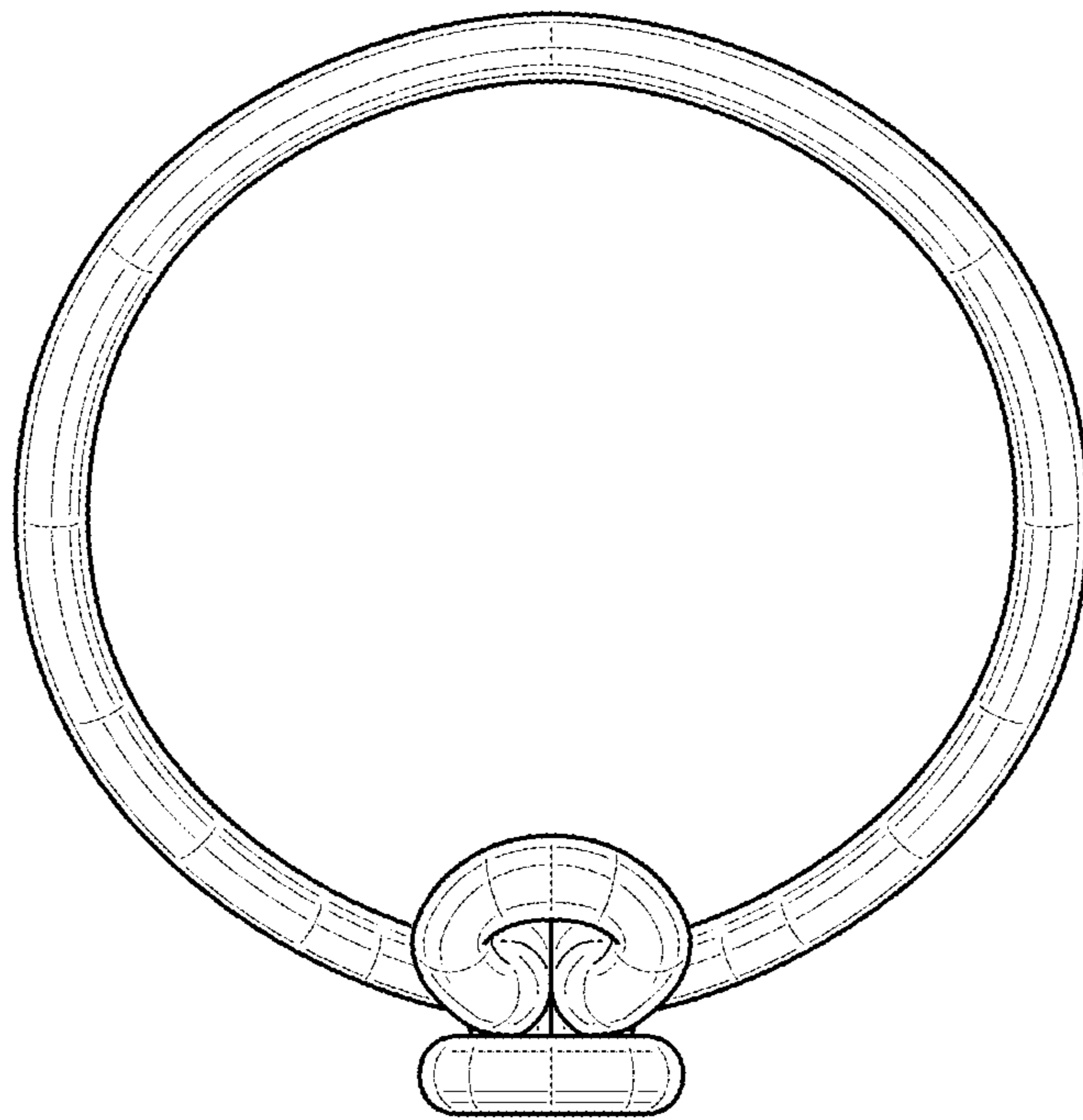


FIG. 7