

US00D779198S

(12) **United States Design Patent** (10) **Patent No.:** **US D779,198 S**  
**Sassi** (45) **Date of Patent:** **\*\* Feb. 21, 2017**

(54) **BAG**  
(71) Applicant: **VALENTINO S.P.A.**, Milan (IT)  
(72) Inventor: **Stefano Sassi**, Milan (IT)  
(73) Assignee: **VALENTINO S.p.A.**, Milan (IT)  
(\*\*) Term: **15 Years**

D524,045 S \* 7/2006 Handley ..... D3/243  
D525,784 S \* 8/2006 Handley ..... D3/243  
D569,100 S \* 5/2008 Stulman ..... D3/232  
D578,304 S \* 10/2008 Gonzalez ..... D3/243  
D695,517 S \* 12/2013 Sassi ..... D3/243  
D697,713 S \* 1/2014 Sassi ..... D3/246  
D717,042 S \* 11/2014 Sassi ..... D3/243  
D718,047 S \* 11/2014 Sassi ..... D3/243  
D721,485 S \* 1/2015 Sassi ..... D3/243  
D730,644 S \* 6/2015 Basha ..... D3/243  
D734,025 S \* 7/2015 Sassi ..... D3/232

(21) Appl. No.: **35/500,048**  
(22) Filed: **Jun. 26, 2015**

\* cited by examiner

(80) **Hague Agreement Data**  
Int. Filing Date: **Jun. 26, 2015**  
Int. Reg. No.: **DM/086836**  
Int. Reg. Date: **Jun. 26, 2015**  
Int. Reg. Pub. Date: **Jul. 10, 2015**

*Primary Examiner* — Barbara Fox  
*Assistant Examiner* — Holly E Thurman  
(74) *Attorney, Agent, or Firm* — Thomas | Horstemeyer, LLP

(51) **LOC (10) Cl.** ..... **03-01**  
(52) **U.S. Cl.**  
USPC ..... **D3/243**

(57) **CLAIM**

The ornamental design for a bag, as shown and described.

(58) **Field of Classification Search**  
USPC ..... D3/201, 232–233, 240–243, 245–247,  
D3/249–253, 318, 321, 322; 150/100,  
150/103–110, 113–114, 117–119, 130,  
150/132, 136–137, 147  
CPC ..... A45C 1/024; A45C 3/06  
See application file for complete search history.

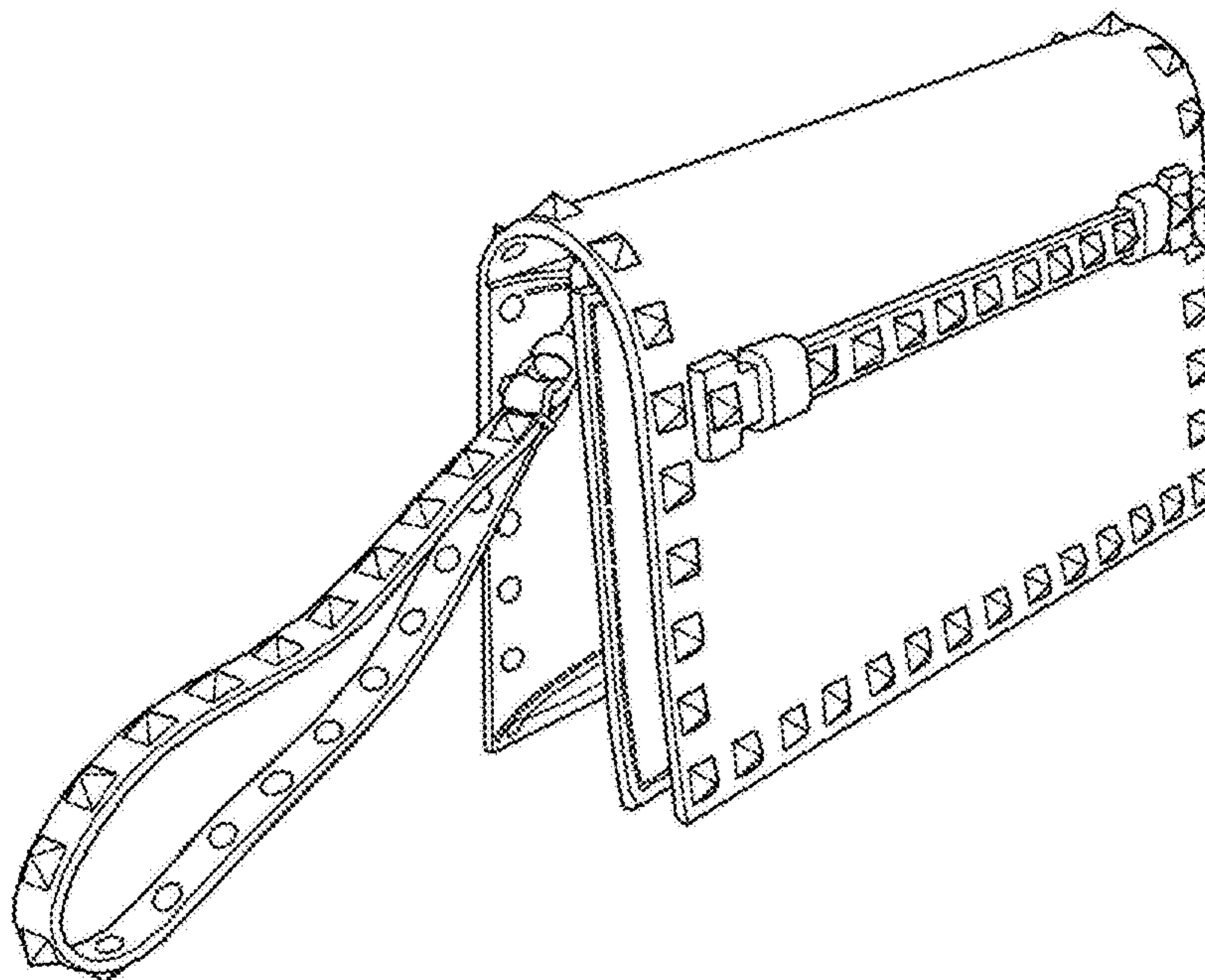
**DESCRIPTION**

FIG. 1.1 is a perspective view of a bag showing my new design;  
FIG. 1.2 is a front view thereof;  
FIG. 1.3 is a rear view thereof;  
FIG. 1.4 is a side view thereof;  
FIG. 1.5 is a side view thereof, from a side opposite that of FIG. 1.4;  
FIG. 1.6 is a top view thereof; and  
FIG. 1.7 is a bottom view thereof.  
The broken lines shown in the drawings illustrate portions of the bag that form no part of the claimed design.

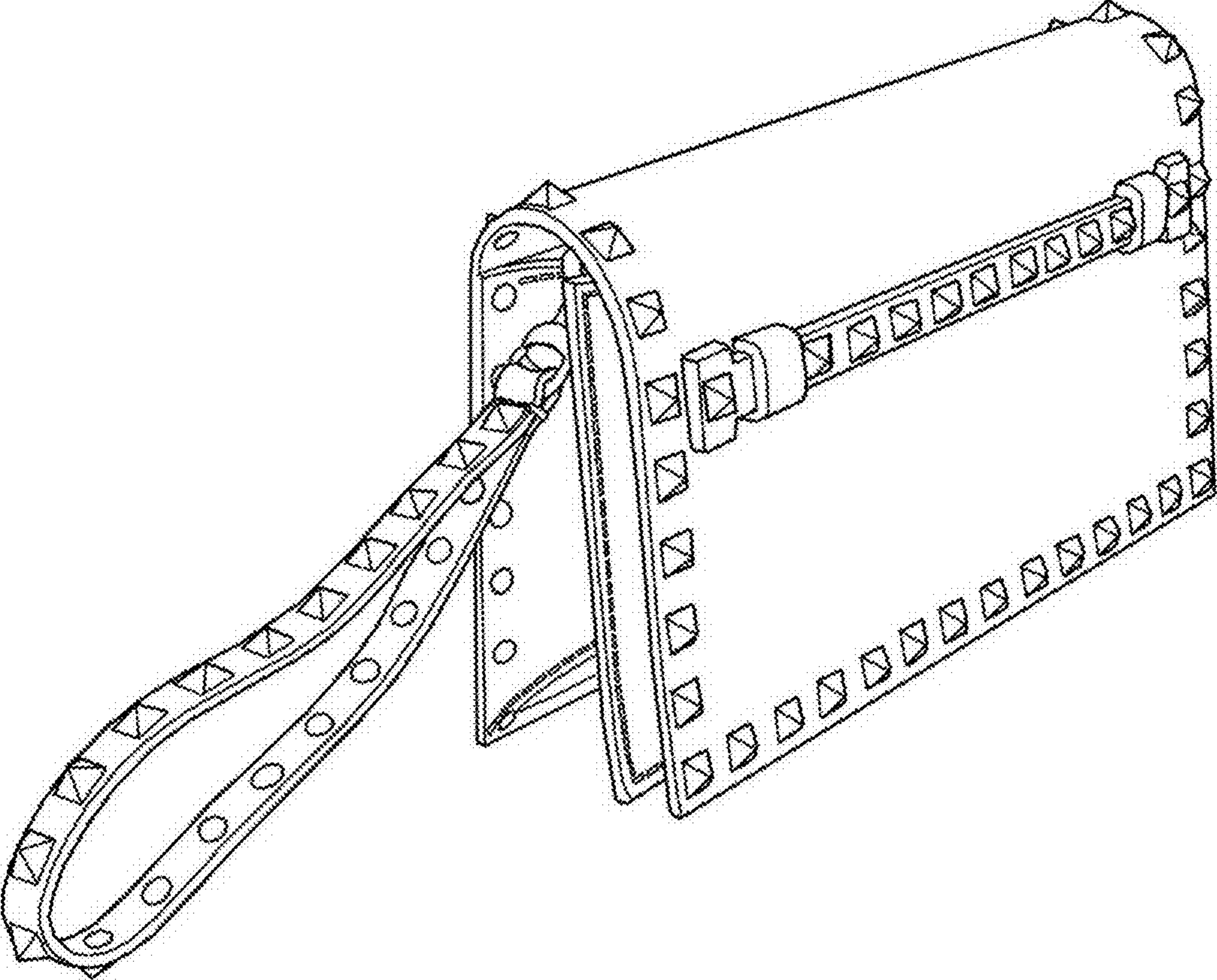
(56) **References Cited**  
U.S. PATENT DOCUMENTS

D127,601 S \* 6/1941 Hunziker ..... D3/243  
D324,771 S \* 3/1992 Dixsaut ..... D3/243

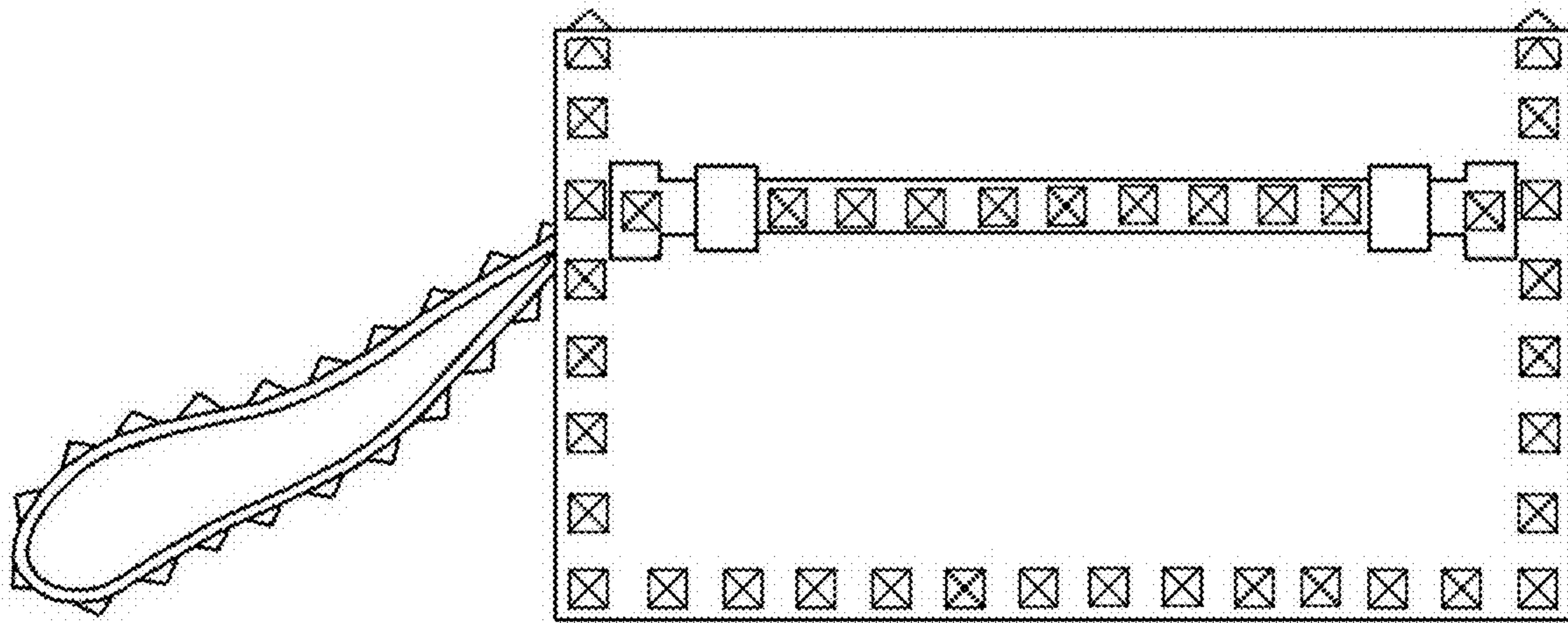
**1 Claim, 7 Drawing Sheets**



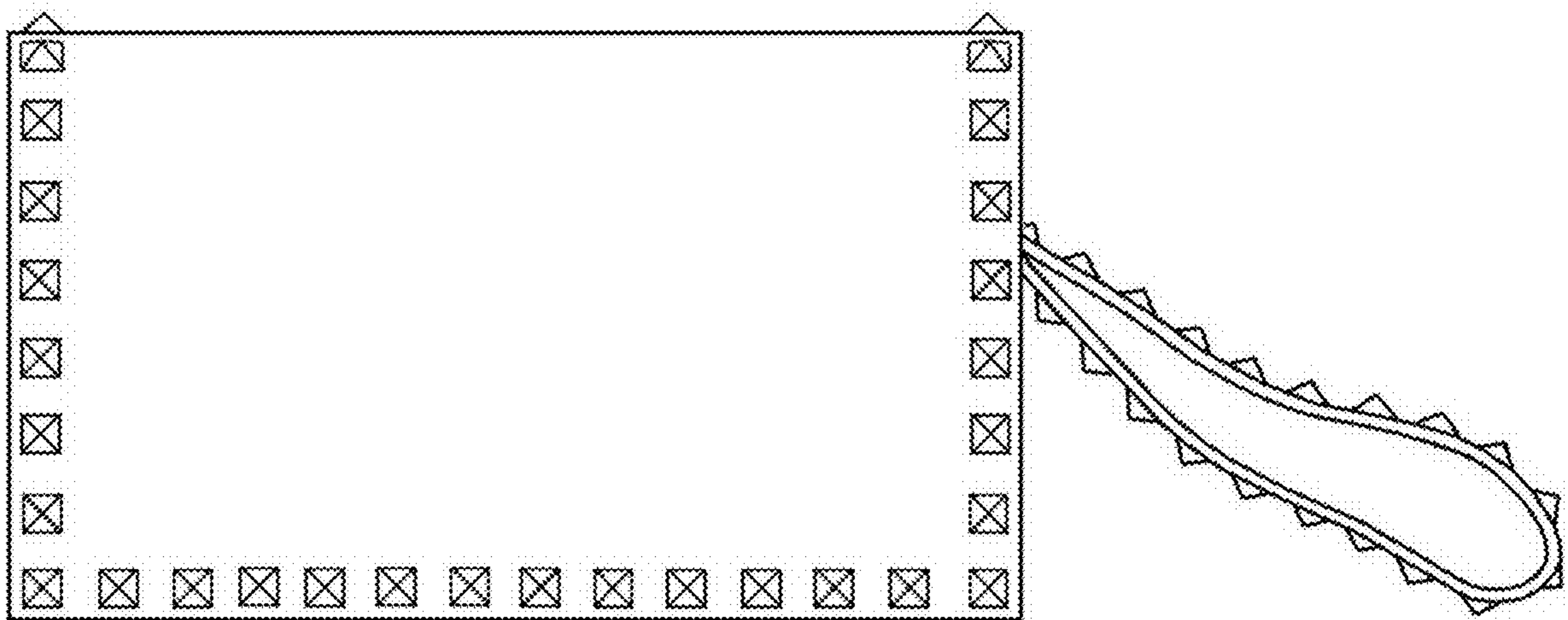
1.1



1.2

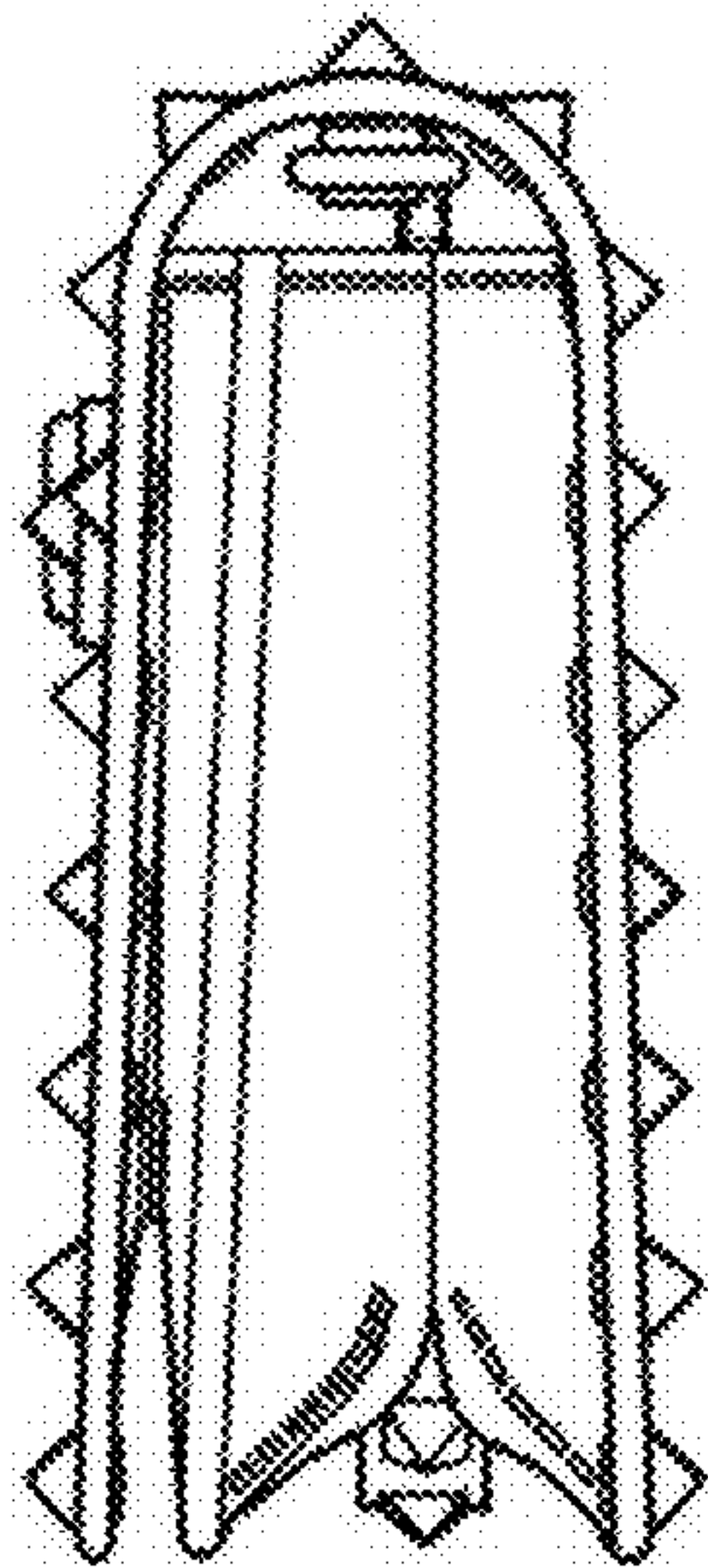


1.3

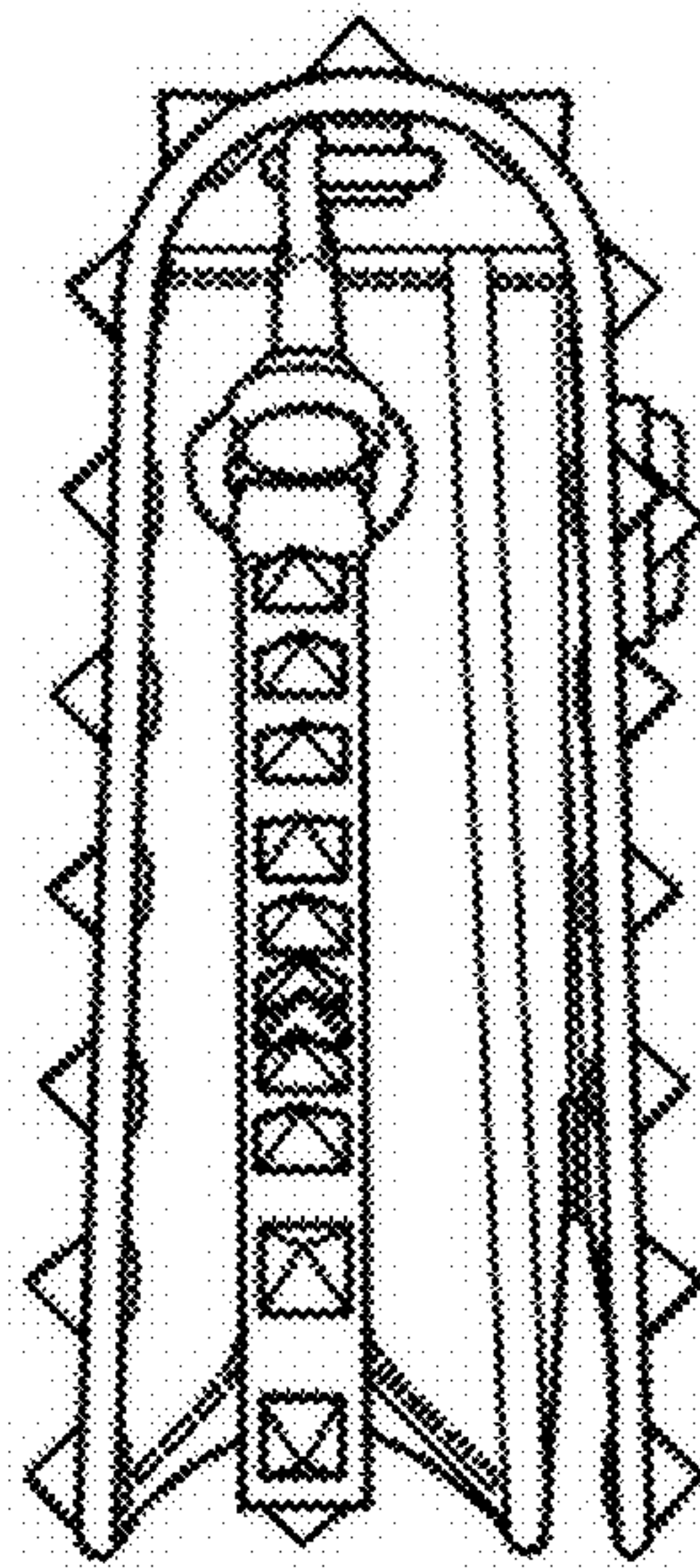




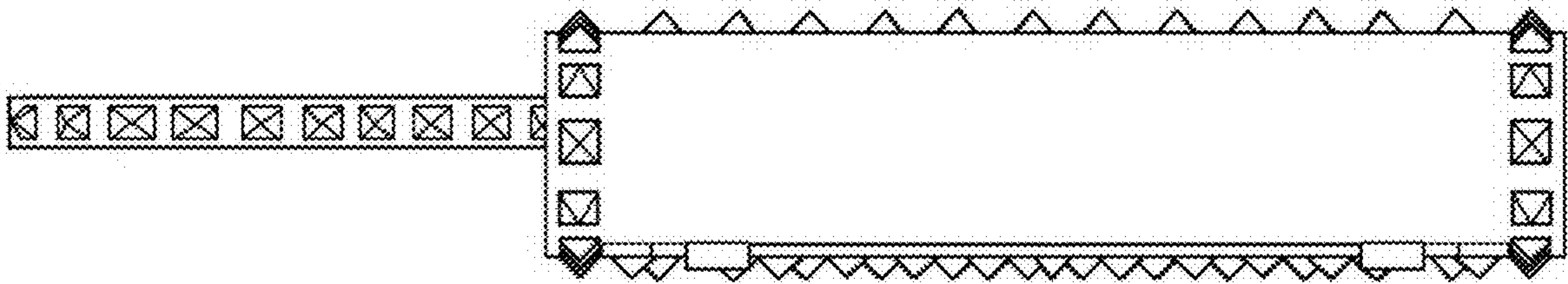
1.4



1.5



1.6



1.7

