



US00D779196S

(12) **United States Design Patent** (10) **Patent No.:** **US D779,196 S**
Kinskey (45) **Date of Patent:** **** Feb. 21, 2017**

(54) **THREE POCKET FRAMER POUCH**

(71) Applicant: **L.F. Centennial Ltd.**, Road Town, Tortola (VG)

(72) Inventor: **Terrence P. Kinskey**, Alpharetta, GA (US)

(73) Assignee: **L.F. CENTENNIAL LTD.**, Road Town, Tortola (VG)

4,932,576 A 6/1990 Ashley
4,961,522 A 10/1990 Weber
4,966,321 A 10/1990 Outlaw
D313,121 S 12/1990 Dise
4,993,614 A 2/1991 Bonofigl
D316,185 S 4/1991 Seber
D316,186 S 4/1991 Seber
D316,485 S 4/1991 Seber
5,014,636 A 5/1991 Seber
D324,309 S 3/1992 Huff
D333,040 S 2/1993 Dancyger

(Continued)

(**) Term: **14 Years**

FOREIGN PATENT DOCUMENTS

(21) Appl. No.: **29/518,316**

CA 2755685 4/2013
CA 2800605 7/2014

(22) Filed: **Feb. 23, 2015**

(51) **LOC (10) Cl.** **03-01**

(52) **U.S. Cl.**
USPC **D3/228**

(58) **Field of Classification Search**
USPC D3/228, 224, 215, 303, 310, 315, 321,
D3/905; 206/372-379; 224/162, 232, 240,
224/243, 247, 576-577, 660, 668, 674,
224/682, 684, 904

See application file for complete search history.

Primary Examiner — Catheri Oliver-Garcia

(74) *Attorney, Agent, or Firm* — Duane Morris LLP; J. Rodman Steele, Jr.; Gregory M. Lefkowitz

(57) **CLAIM**

The ornamental design for a three pocket framer pouch, as shown and described.

DESCRIPTION

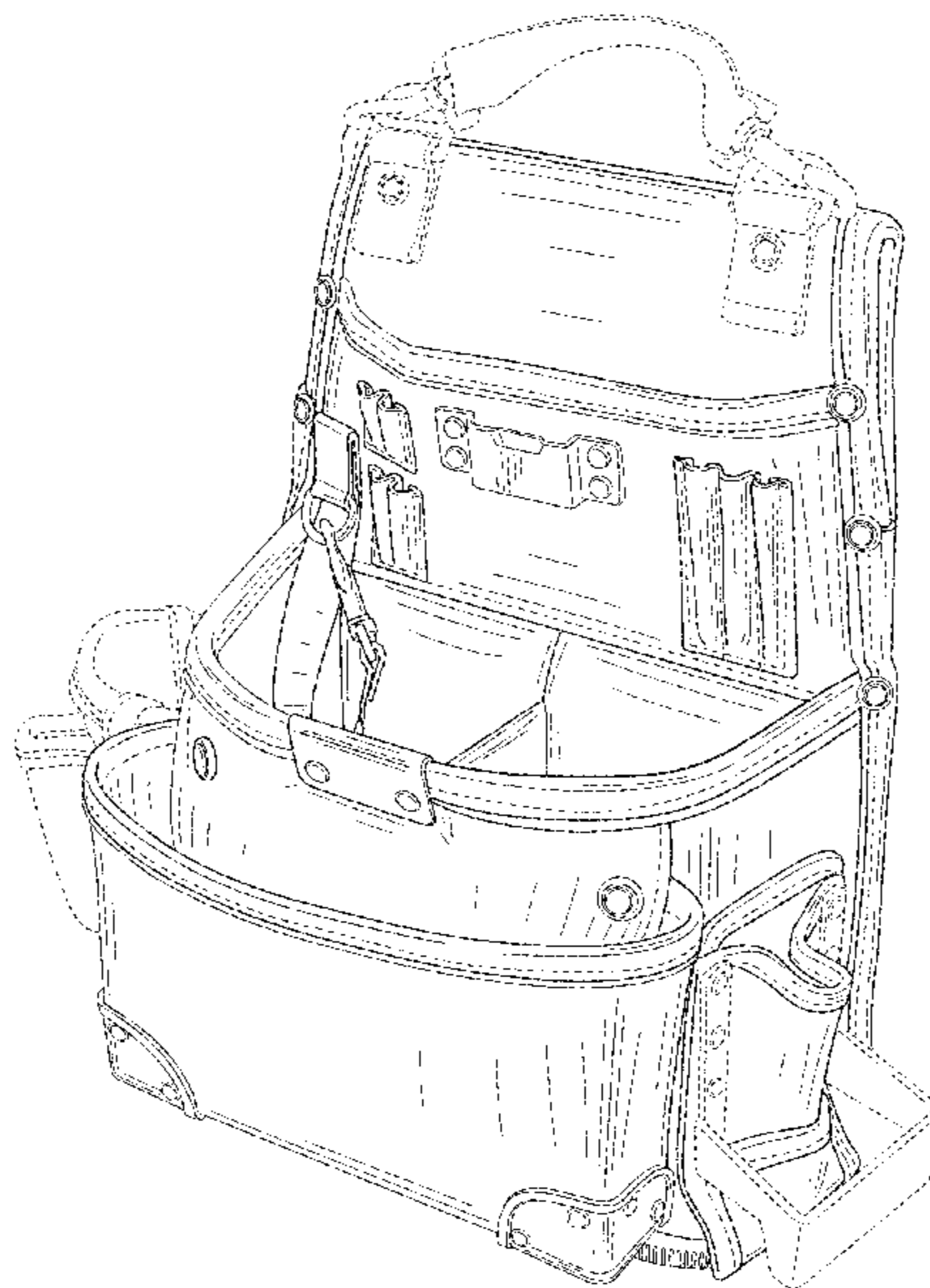
FIG. 1 is a front perspective view in accordance with a new three pocket framer pouch design;
FIG. 2 is a rear perspective view of the design of FIG. 1;
FIG. 3 is a front view of the design of FIG. 1;
FIG. 4 is a rear view of the design of FIG. 1;
FIG. 5 is a right side view of the design of FIG. 1;
FIG. 6 is a left side view of the design of FIG. 1;
FIG. 7 is a top view of the design of FIG. 1; and,
FIG. 8 is a bottom view of the design of FIG. 1.
The broken lines depict environmental structures that form no part of the claimed design.

(56) **References Cited**

U.S. PATENT DOCUMENTS

D254,759 S 4/1980 Rodstein
4,356,854 A 11/1982 McGee
4,390,116 A 6/1983 Fehr
4,408,706 A 10/1983 Hurley
4,496,088 A 1/1985 Tuthill
4,747,527 A 5/1988 Trumpower
4,815,640 A 3/1989 Johnson
D302,489 S 8/1989 Stone et al.
4,917,281 A 4/1990 Ostermiller
4,923,105 A 5/1990 Snyder

1 Claim, 7 Drawing Sheets



(56)

References Cited

U.S. PATENT DOCUMENTS

| | | | | | |
|--------------|---------|-----------------|-----------------|---------|-----------------------------------|
| D333,215 S | 2/1993 | Brown | D481,535 S | 11/2003 | Cabrera et al. |
| 5,195,667 A | 3/1993 | Gallant | D482,196 S | 11/2003 | Cabrera et al. |
| 5,201,448 A | 4/1993 | Schue | D482,524 S | 11/2003 | Cabrera et al. |
| 5,209,384 A | 5/1993 | Anderson | 6,641,011 B1 | 11/2003 | Kahn |
| D348,777 S | 7/1994 | Dancyger | 6,655,565 B2 | 12/2003 | Godshaw et al. |
| D348,778 S | 7/1994 | Dancyger | 6,659,321 B2 | 12/2003 | Hartranft et al. |
| D348,982 S | 7/1994 | Dancyger | 6,662,373 B2 | 12/2003 | Frank |
| D348,983 S | 7/1994 | Dancyger | 6,675,965 B2 | 1/2004 | Holland et al. |
| 5,329,884 A | 7/1994 | Bell | D487,630 S | 3/2004 | Martin et al. |
| 5,337,511 A | 8/1994 | Ashbaugh | 6,698,632 B1 | 3/2004 | Turner et al. |
| 5,337,933 A | 8/1994 | Nunez | 6,701,534 B2 | 3/2004 | Guibord |
| 5,341,975 A | 8/1994 | Marinescu | 6,712,251 B2 | 3/2004 | Godshaw et al. |
| D350,229 S | 9/1994 | Dancyger | 6,766,532 B1 | 7/2004 | Cabana |
| D350,849 S | 9/1994 | Dancyger | D496,787 S | 10/2004 | Cabrera et al. |
| D355,748 S | 2/1995 | Dancyger | 6,848,605 B2 | 2/2005 | Dillenberger |
| 5,388,740 A | 2/1995 | Garland | 6,889,834 B2 | 5/2005 | Ho |
| D361,658 S | 8/1995 | Martin | 6,907,989 B2 | 6/2005 | Ho |
| 5,497,923 A | 3/1996 | Pearson et al. | 6,915,902 B2 | 7/2005 | Brouard |
| 5,501,379 A | 3/1996 | Munoz | 6,991,104 B2 | 1/2006 | Redzisz |
| 5,505,356 A | 4/1996 | Noriega et al. | 6,994,238 B2 | 2/2006 | Estabaya |
| 5,511,703 A | 4/1996 | Ryerson | 7,011,241 B2 | 3/2006 | Godshaw et al. |
| 5,511,705 A | 4/1996 | Dreszer | 7,055,652 B1 | 6/2006 | Williams |
| 5,568,887 A | 10/1996 | Gollihue et al. | 7,077,303 B2 | 7/2006 | Zega |
| D378,633 S | 4/1997 | Granito | D528,785 S | 9/2006 | Fraga |
| 5,630,536 A | 5/1997 | Bugnaski | D530,506 S | 10/2006 | Thurner |
| 5,639,003 A | 6/1997 | Utzinger | D531,401 S | 11/2006 | Thurner |
| D381,804 S | 8/1997 | Dancyger | D531,799 S | 11/2006 | Adams et al. |
| 5,653,337 A | 8/1997 | Cirigliano | 7,150,345 B2 | 12/2006 | Redzisz |
| 5,673,830 A | 10/1997 | Matthews | 7,243,793 B2 | 7/2007 | Ho |
| 5,730,347 A | 3/1998 | Finot | D553,350 S | 10/2007 | Dvorak |
| 5,813,530 A | 9/1998 | Kornblatt | D553,362 S | 10/2007 | Godshaw et al. |
| D410,773 S | 6/1999 | Case | 7,293,635 B2 | 11/2007 | Repke et al. |
| 5,915,610 A | 6/1999 | Russell | 7,314,153 B2 | 1/2008 | Musarella et al. |
| 5,941,438 A | 8/1999 | Price | 7,318,542 B2 | 1/2008 | Godshaw et al. |
| 5,971,101 A | 10/1999 | Taggart | D588,800 S | 3/2009 | Cicione |
| 5,988,315 A | 11/1999 | Crane | D603,164 S | 11/2009 | Meier et al. |
| D418,291 S | 1/2000 | Dancyger | 7,658,307 B2 | 2/2010 | Skupin |
| 6,016,944 A | 1/2000 | Girbert | 7,699,197 B2 | 4/2010 | Panosian et al. |
| D423,773 S | 5/2000 | Dancyger | 7,784,658 B1 | 8/2010 | Hansen |
| 6,065,658 A | 5/2000 | Hashimoto | D628,382 S | 12/2010 | Niehaus et al. |
| 6,070,288 A | 6/2000 | Luyckx et al. | 7,909,214 B2 | 3/2011 | Gold et al. |
| D428,250 S | 7/2000 | Reichardt | D641,552 S | 7/2011 | Sosnovsky |
| 6,085,952 A | 7/2000 | Garland | 7,984,820 B2 | 7/2011 | Dancyger |
| D431,104 S | 9/2000 | Dancyger | 8,016,173 B2 | 9/2011 | Dvorak |
| 6,119,909 A | 9/2000 | Dancyger | D647,301 S | 10/2011 | Sosnovsky |
| 6,126,003 A | 10/2000 | Brouard | 8,032,980 B2 | 10/2011 | Basenberg et al. |
| 6,155,471 A | 12/2000 | Lichtenberger | D648,121 S | 11/2011 | Dallmann |
| 6,179,185 B1 | 1/2001 | Dancyger | D648,532 S | 11/2011 | Sosnovsky |
| D437,998 S | 2/2001 | Williamson | D648,533 S | 11/2011 | Sosnovsky |
| D437,999 S | 2/2001 | Williamson | 8,074,798 B2 | 12/2011 | Williams et al. |
| 6,193,119 B1 | 2/2001 | Schwarm | 8,151,938 B2 | 4/2012 | Kinskey |
| D438,701 S | 3/2001 | Dancyger | 8,152,037 B2 | 4/2012 | Sabbag |
| 6,213,365 B1 | 4/2001 | Stocke et al. | 8,177,029 B1 | 5/2012 | Norton et al. |
| 6,216,931 B1 | 4/2001 | Trawinski | 8,220,683 B2 | 7/2012 | Williams |
| D443,411 S | 6/2001 | Snider et al. | D667,636 S | 9/2012 | Maglieri |
| 6,267,276 B1 | 7/2001 | Cook | D672,556 S | 12/2012 | Scarabelli |
| D448,162 S | 9/2001 | Snider | D672,962 S | 12/2012 | Wang et al. |
| D450,449 S | 11/2001 | Godshaw et al. | D676,234 S | 2/2013 | Moreau et al. |
| D455,901 S | 4/2002 | Snider | 8,376,665 B2 | 2/2013 | Kirby |
| 6,390,348 B1 | 5/2002 | Godshaw et al. | 8,382,373 B1 | 2/2013 | Dancyger |
| 6,398,092 B1 | 6/2002 | Ansley | 8,403,140 B2 | 3/2013 | Woolery |
| 6,435,389 B1 | 8/2002 | Sucher | 8,403,141 B2 | 3/2013 | Williams et al. |
| D463,115 S | 9/2002 | Snider | D684,764 S | 6/2013 | Sigouin |
| 6,446,852 B1 | 9/2002 | Sorensen et al. | D692,231 S * | 10/2013 | Moreau D3/228 |
| D463,664 S | 10/2002 | Borsuk | D696,012 S | 12/2013 | Hanlon |
| 6,478,463 B2 | 11/2002 | Snider | D699,940 S | 2/2014 | Robert |
| 6,487,756 B1 | 12/2002 | Vidal | D701,045 S | 3/2014 | Menirom et al. |
| 6,536,590 B1 | 3/2003 | Godshaw et al. | D703,438 S | 4/2014 | Lee |
| 6,550,592 B1 | 4/2003 | Godshaw et al. | 8,708,351 B2 | 4/2014 | Kinskey et al. |
| 6,561,402 B2 | 5/2003 | Holland et al. | D704,435 S | 5/2014 | Moreau et al. |
| 6,568,575 B1 | 5/2003 | Bartholomew | D707,962 S | 7/2014 | Moreau et al. |
| D477,142 S | 7/2003 | Dancyger | D715,549 S | 10/2014 | Moreau et al. |
| D477,462 S | 7/2003 | Dancyger | 8,875,314 B1 | 11/2014 | Panetta |
| 6,592,012 B2 | 7/2003 | Godshaw et al. | 9,038,869 B2 * | 5/2015 | Moreau A45F 5/02 224/162 |
| 6,601,743 B2 | 8/2003 | Godshaw | 2001/0035736 A1 | 11/2001 | Person |
| | | | 2002/0008128 A1 | 1/2002 | Field |
| | | | 2002/0014507 A1 | 2/2002 | Snider et al. |
| | | | 2002/0096545 A1 | 7/2002 | Chang |

(56)

References Cited

U.S. PATENT DOCUMENTS

| | | | |
|--------------|----|---------|-----------------|
| 2002/0145027 | A1 | 10/2002 | Godshaw et al. |
| 2002/0170933 | A1 | 11/2002 | Martin |
| 2003/0042160 | A1 | 3/2003 | Godshaw et al. |
| 2003/0102346 | A1 | 6/2003 | Chen |
| 2003/0197042 | A1 | 10/2003 | Warren |
| 2003/0213827 | A1 | 11/2003 | Langmuir |
| 2004/0245305 | A1 | 12/2004 | Garcia |
| 2005/0133561 | A1 | 6/2005 | Kimball |
| 2005/0236454 | A1 | 10/2005 | Godshaw et al. |
| 2006/0070901 | A1 | 4/2006 | Adams et al. |
| 2006/0102674 | A1 | 5/2006 | Godshaw et al. |
| 2006/0102678 | A1 | 5/2006 | Bommarito |
| 2006/0144885 | A1 | 7/2006 | Smeuninx |
| 2006/0206992 | A1 | 9/2006 | Godshaw et al. |
| 2006/0261116 | A1 | 11/2006 | Brandeis |
| 2006/0266782 | A1 | 11/2006 | Godshaw et al. |
| 2006/0289585 | A1 | 12/2006 | Godshaw et al. |
| 2007/0025647 | A1 | 2/2007 | Hamlin |
| 2007/0045372 | A1 | 3/2007 | Cangemi |
| 2007/0058887 | A1 | 3/2007 | Godshaw et al. |
| 2007/0062997 | A1 | 3/2007 | Thurner |
| 2007/0125819 | A1 | 6/2007 | Kahn |
| 2007/0138227 | A1 | 6/2007 | Rickman |
| 2007/0170220 | A1 | 7/2007 | Fragassi |
| 2007/0241014 | A1 | 10/2007 | Williams |
| 2007/0241158 | A1 | 10/2007 | Shima |
| 2007/0241159 | A1 | 10/2007 | Chang |
| 2007/0295776 | A1 | 12/2007 | Whelan |
| 2008/0017683 | A1 | 1/2008 | Votel |
| 2008/0023515 | A1 | 1/2008 | Coonan et al. |
| 2008/0029562 | A1 | 2/2008 | Hawkins et al. |
| 2008/0093406 | A1 | 4/2008 | Logan et al. |
| 2008/0135594 | A1 | 6/2008 | Williams |
| 2008/0179370 | A1 | 7/2008 | Williams |
| 2008/0185414 | A1 | 8/2008 | Conlon |
| 2008/0197756 | A1 | 8/2008 | Macias et al. |
| 2008/0202962 | A1 | 8/2008 | Brouard |
| 2008/0240624 | A1 | 10/2008 | Godshaw et al. |
| 2008/0264992 | A1 | 10/2008 | Westling |
| 2008/0314947 | A1 | 12/2008 | Gold et al. |
| 2009/0078730 | A1 | 3/2009 | Kuny et al. |
| 2009/0108040 | A1 | 4/2009 | Corzine |
| 2009/0145711 | A1 | 6/2009 | Panosian et al. |
| 2009/0145938 | A1 | 6/2009 | Kahn |
| 2009/0242598 | A1 | 10/2009 | Dormaar |
| 2009/0294500 | A1 | 12/2009 | Brown et al. |
| 2009/0314813 | A1 | 12/2009 | Woolery |
| 2010/0044405 | A1 | 2/2010 | Albert |
| 2010/0072242 | A1 | 3/2010 | Panosian et al. |
| 2010/0176171 | A1 | 7/2010 | Araujo |
| 2011/0089057 | A1 | 4/2011 | Miller et al. |
| 2011/0132953 | A1 | 6/2011 | Kreitzer |
| 2011/0176752 | A1 | 7/2011 | Williams et al. |
| 2012/0055894 | A1 | 3/2012 | Cabana et al. |
| 2012/0085802 | A1 | 4/2012 | Ferrante |
| 2012/0138496 | A1 | 6/2012 | Tonelli |
| 2012/0145755 | A1 | 6/2012 | Kahn |
| 2012/0168472 | A1 | 7/2012 | Mathews |
| 2013/0008933 | A1 | 1/2013 | Clifford |
| 2013/0048419 | A1 | 2/2013 | Nichols, Jr. |
| 2013/0119100 | A1 | 5/2013 | Ito et al. |
| 2013/0119101 | A1 | 5/2013 | Hachisuka |
| 2013/0248284 | A1 | 9/2013 | Nichols |
| 2013/0299544 | A1 | 11/2013 | Moreau et al. |
| 2014/0166516 | A1 | 6/2014 | Martinez et al. |
| 2014/0190852 | A1 | 7/2014 | Kinskey et al. |
| 2014/0239024 | A1 | 8/2014 | Brouard et al. |
| 2014/0262861 | A1 | 9/2014 | Crowe et al. |

* cited by examiner

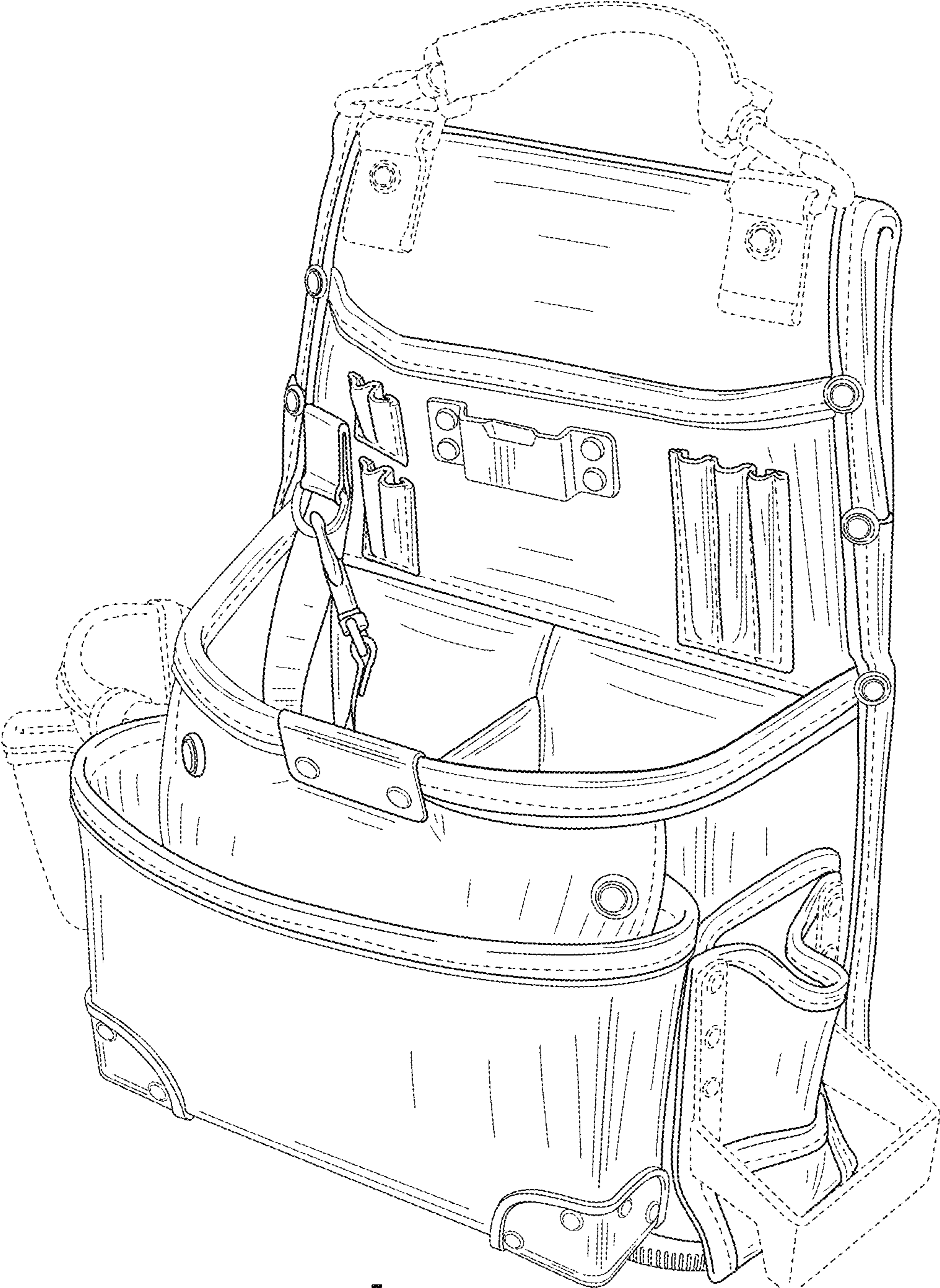


FIG. 1

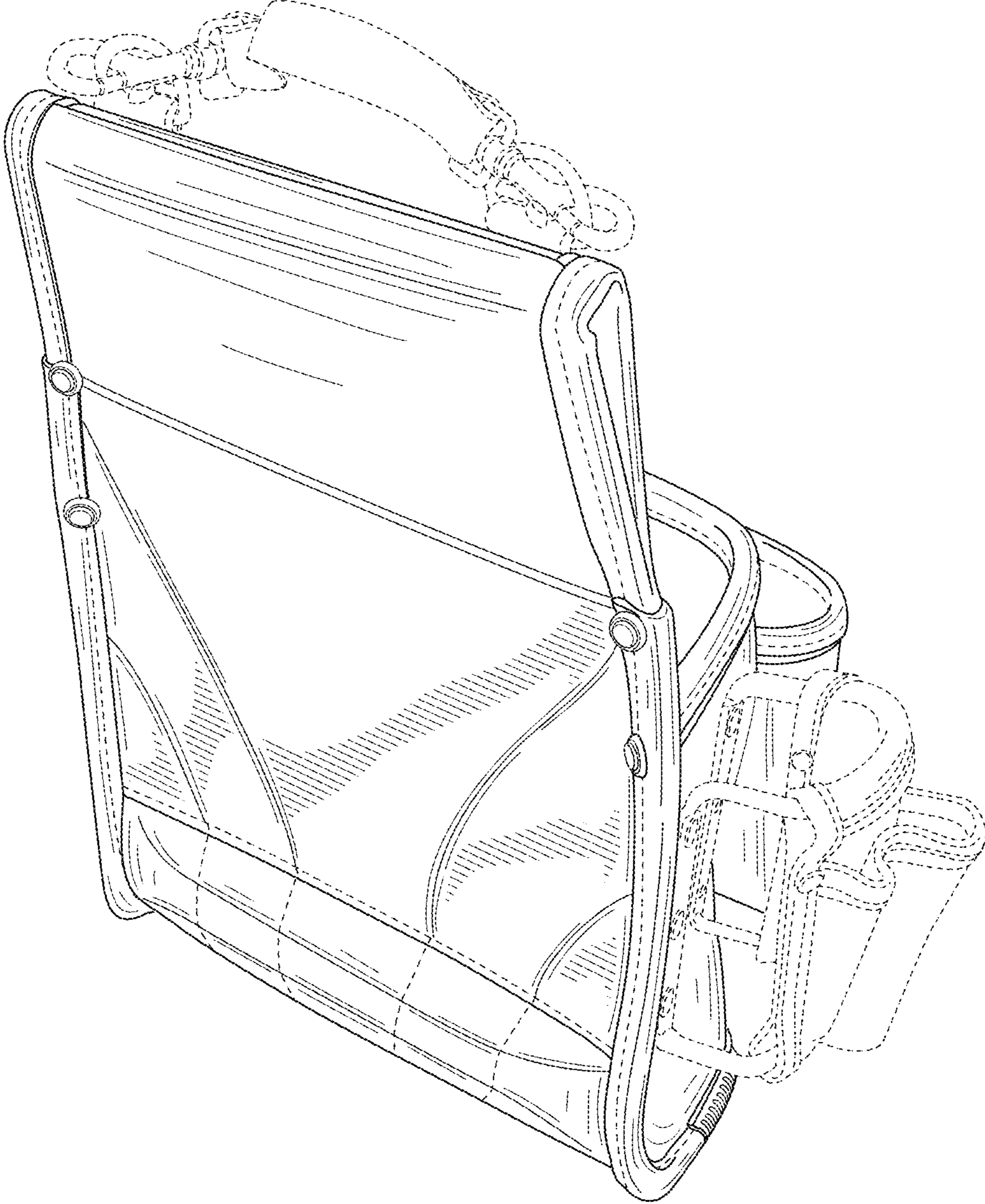


FIG. 2

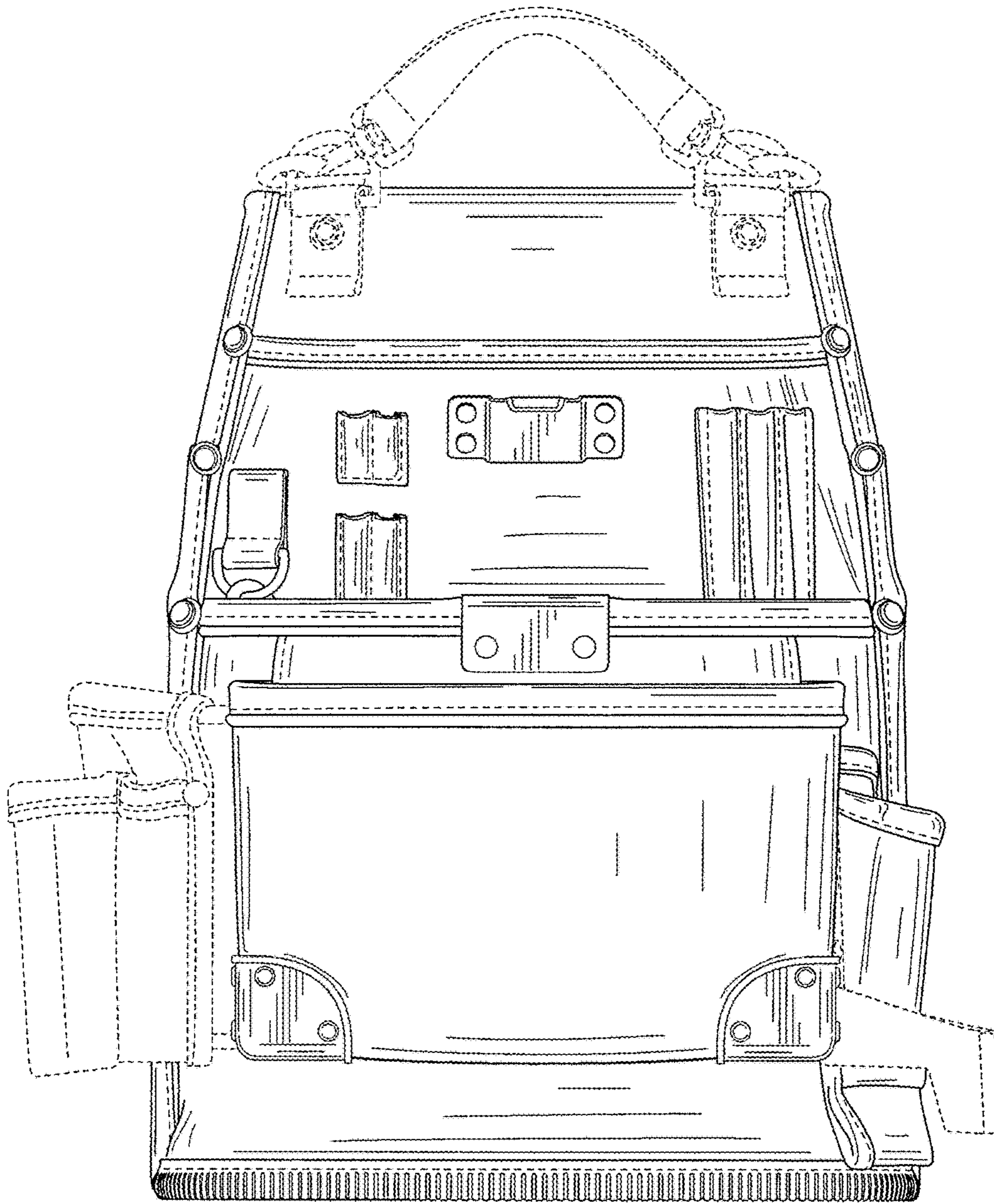


FIG. 3

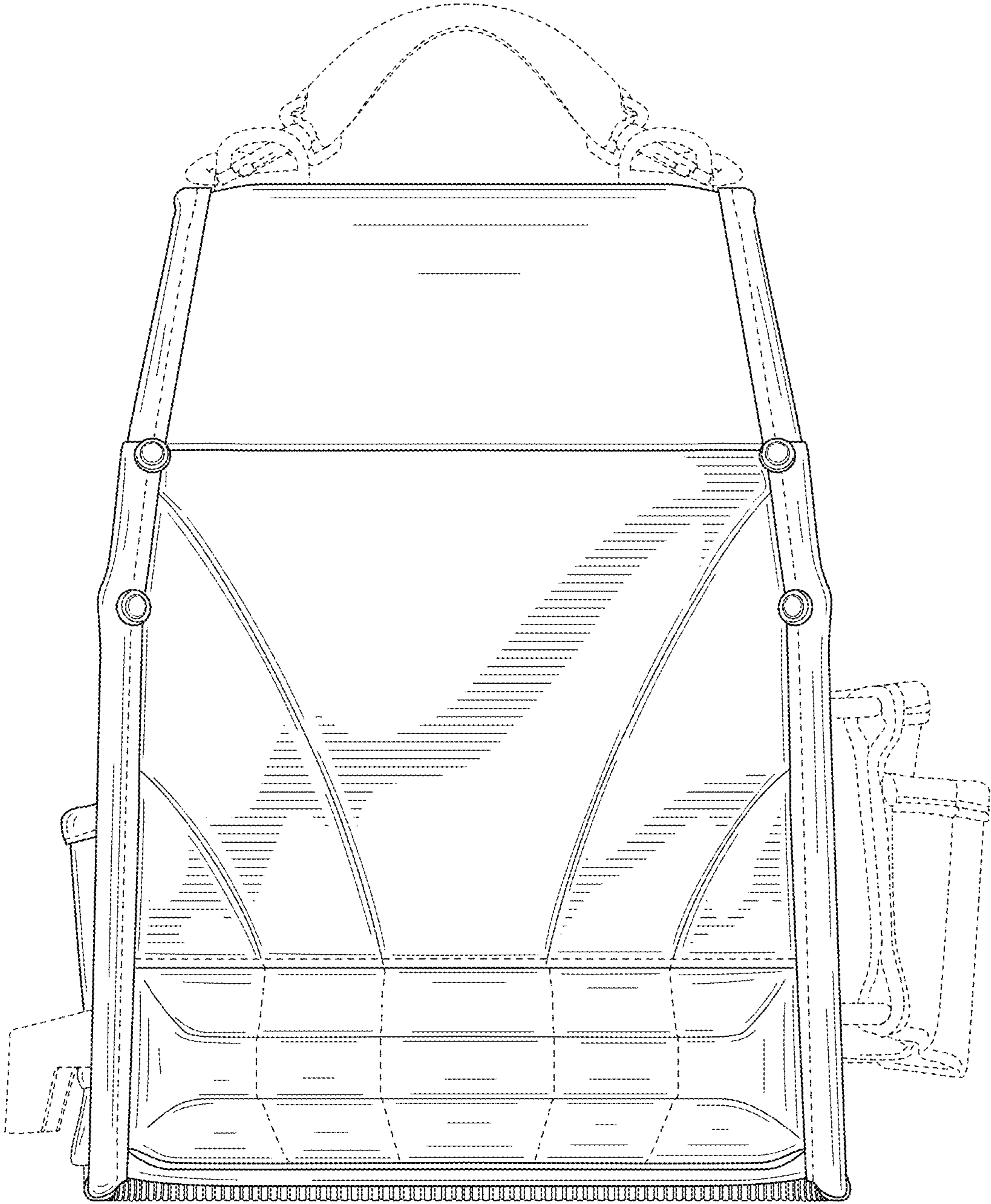


FIG. 4

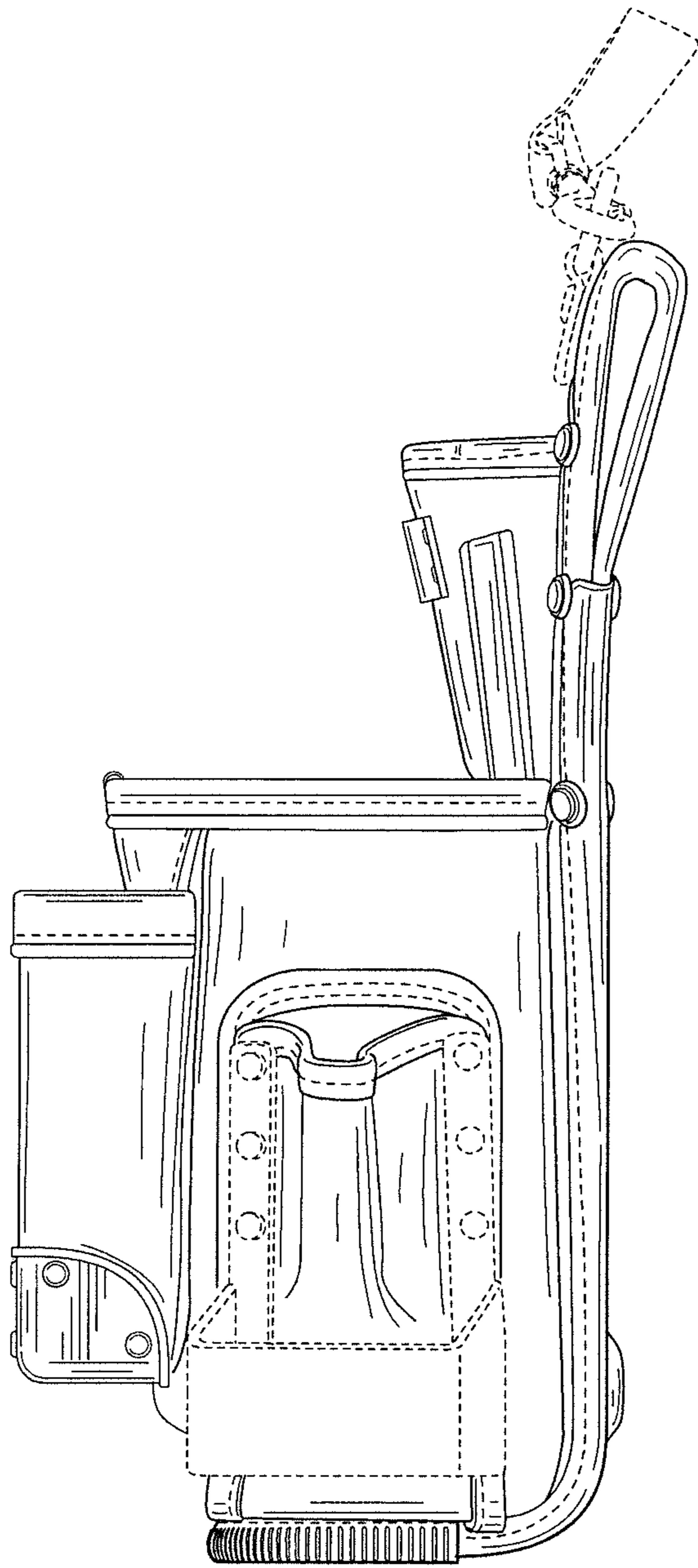


FIG. 5

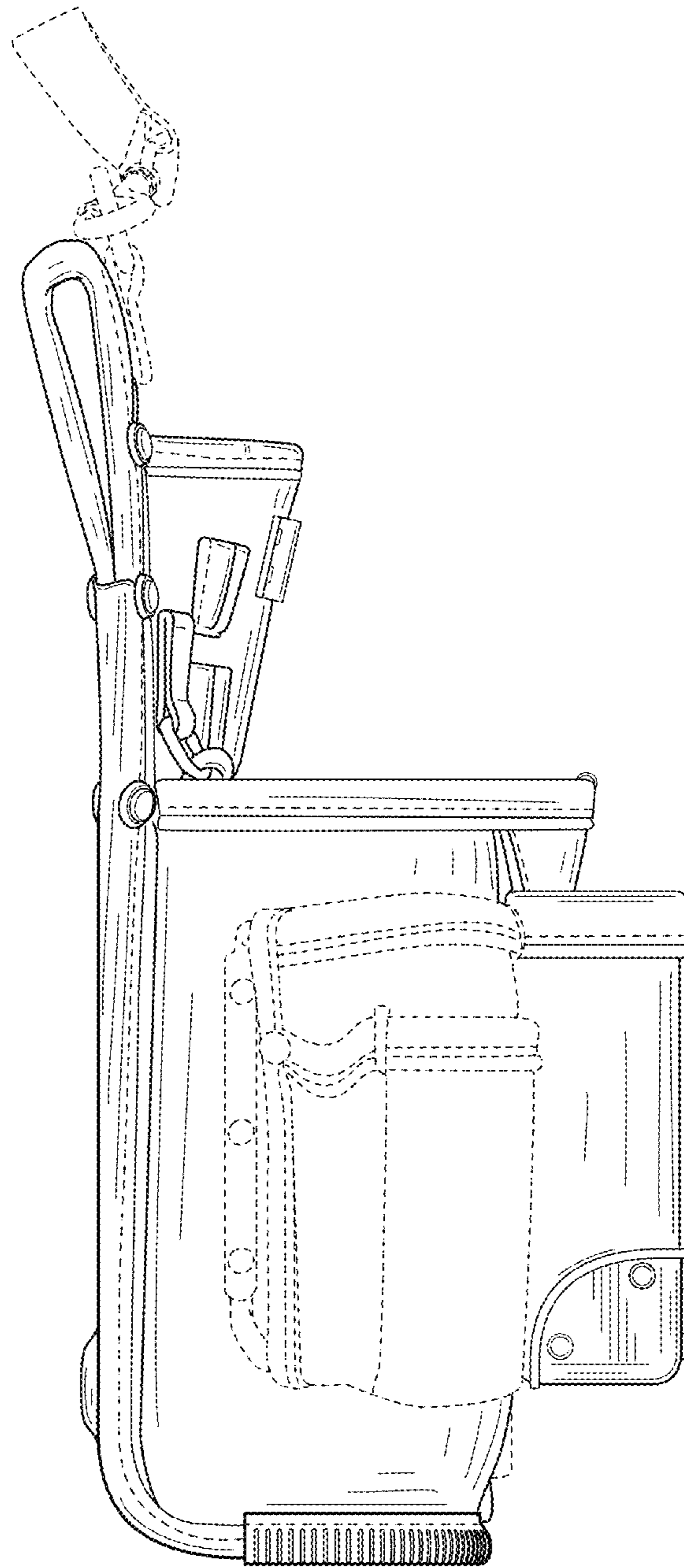


FIG. 6

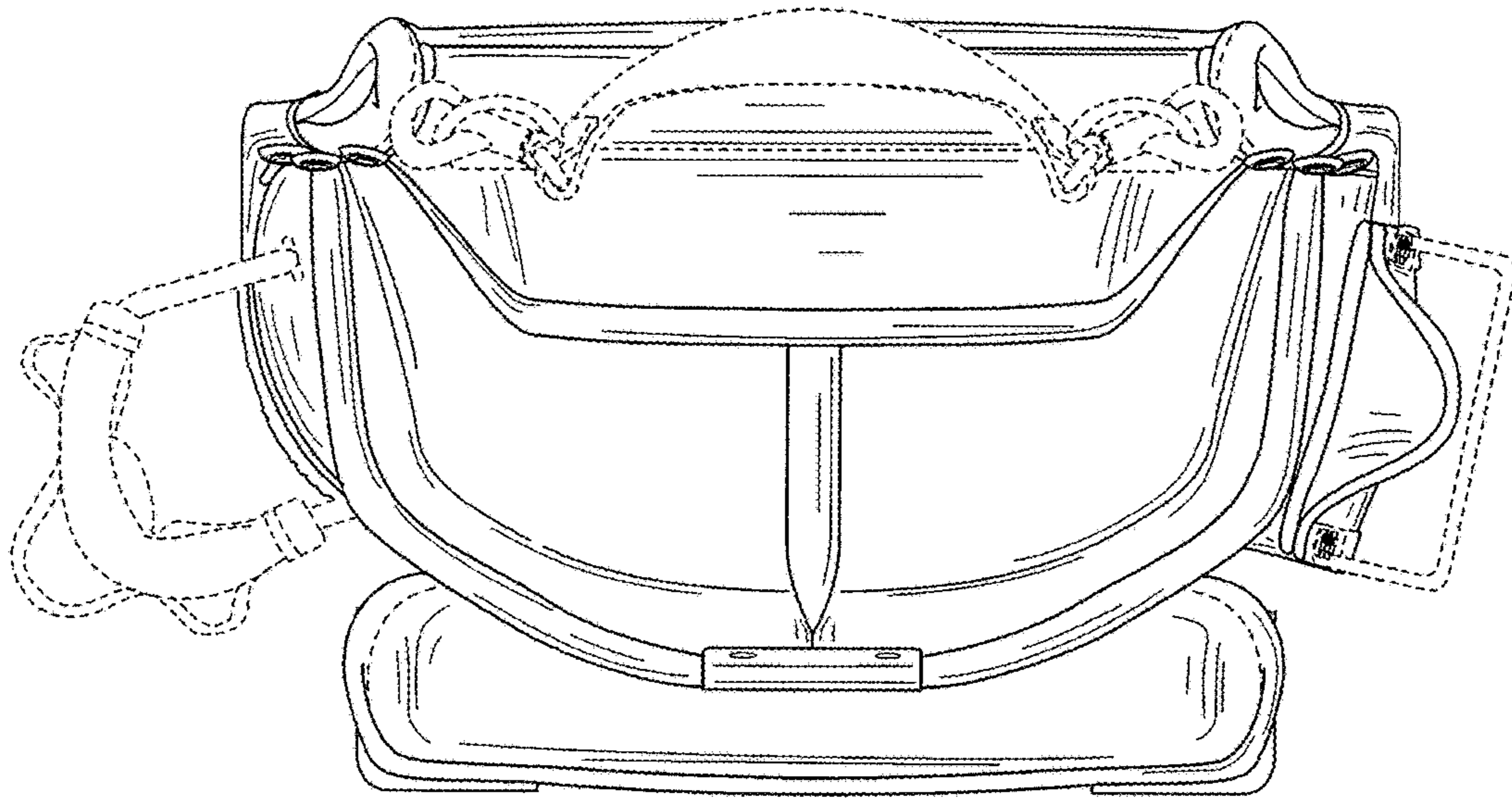


FIG. 7

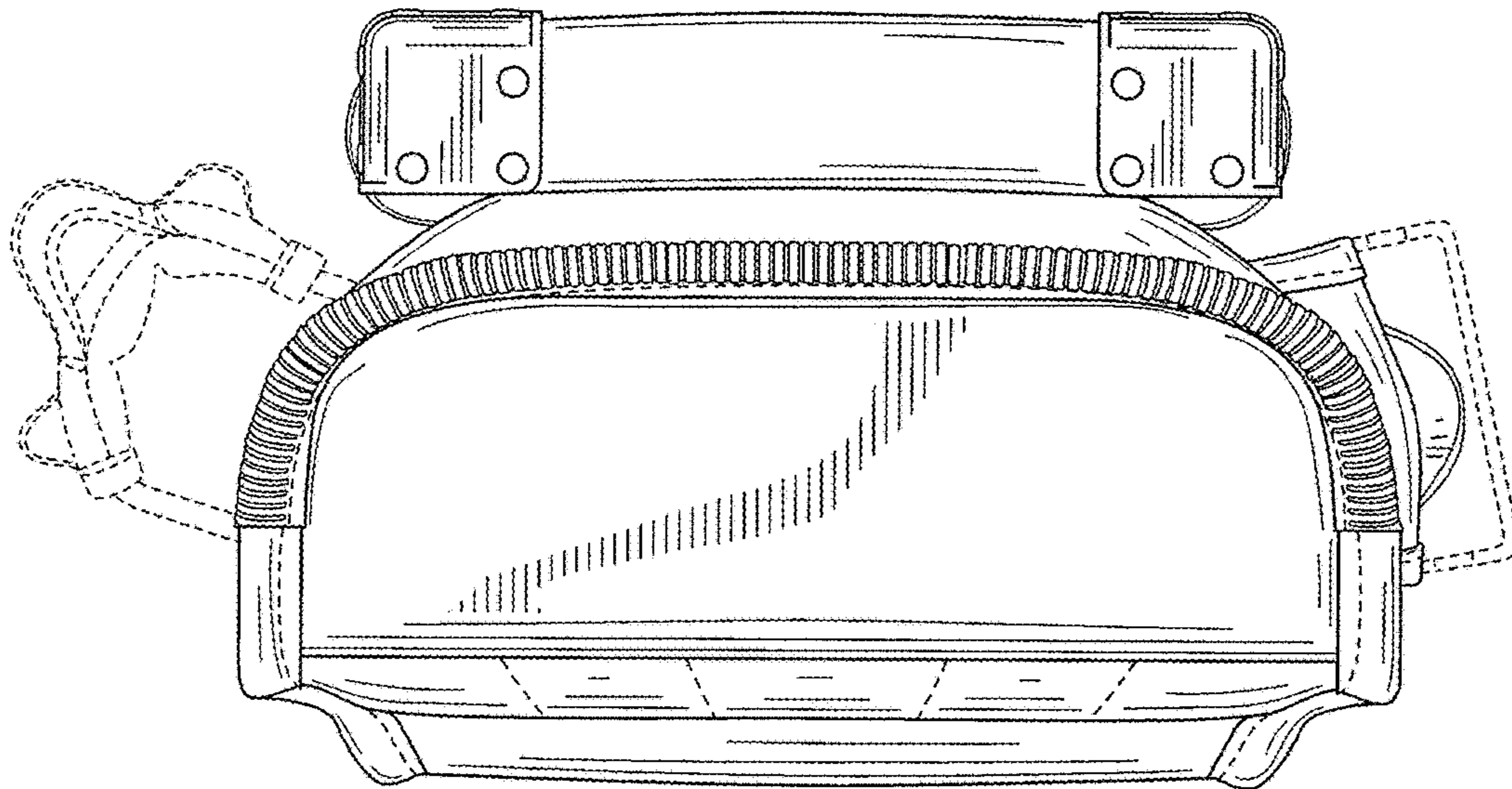


FIG. 8