



US00D779195S

(12) **United States Design Patent** (10) **Patent No.:** **US D779,195 S**
Kinskey (45) **Date of Patent:** **** Feb. 21, 2017**

- (54) **TWO POCKET FRAMER POUCH**
- (71) Applicant: **L.F. Centennial Ltd.**, Road Town, Tortola (VG)
- (72) Inventor: **Terrence P. Kinskey**, Alpharetta, GA (US)
- (73) Assignee: **L.F. CENTENNIAL LTD.**, Road Town, Tortola (VG)
- (**) Term: **14 Years**
- (21) Appl. No.: **29/518,314**

4,917,281 A	4/1990	Ostermiller
4,923,105 A	5/1990	Snyder
4,932,576 A	6/1990	Ashley
D313,121 S	12/1990	Dise
4,993,614 A	2/1991	Bonofigl
D316,185 S	4/1991	Seber
D316,186 S	4/1991	Seber
D316,485 S	4/1991	Seber
5,014,636 A	5/1991	Seber
D324,309 S	3/1992	Huff
D333,040 S	2/1993	Dancyger
D333,215 S	2/1993	Brown
5,209,384 A	5/1993	Anderson
D348,777 S	7/1994	Dancyger
D348,778 S	7/1994	Dancyger

(Continued)

- (22) Filed: **Feb. 23, 2015**
- (51) **LOC (10) Cl.** **03-01**
- (52) **U.S. Cl.**
USPC **D3/228**
- (58) **Field of Classification Search**
USPC D3/228, 215, 226, 224, 303, 310, 315,
D3/321, 905; 224/162, 232, 240, 243,
224/247, 251, 576-577, 660, 668, 674,
224/676-678, 682, 684, 904;
206/372-379
CPC A45F 3/04; A45F 3/005; A45F 3/14;
A45F 5/00; A45F 5/02; A45F
5/021; A45F 2200/05; A45F 2200/0575
See application file for complete search history.

FOREIGN PATENT DOCUMENTS

CA	2755685	4/2013
CA	2800605	7/2014

Primary Examiner — Catheri Oliver-Garcia
(74) *Attorney, Agent, or Firm* — Duane Morris LLP; J. Rodman Steele, Jr.; Gregory M. Lefkowitz

(57) **CLAIM**

The ornamental design for a two pocket framer pouch, as shown and described.

DESCRIPTION

FIG. 1 is a front, right perspective view in accordance with a new two pocket framer pouch design; FIG. 2 is a front view of the design of FIG. 1; FIG. 3 is a rear view of the design of FIG. 1; FIG. 4 is a right side view of the design of FIG. 1; FIG. 5 is a left side view of the design of FIG. 1; FIG. 6 is a top view of the design of FIG. 1; and, FIG. 7 is a bottom view of the design of FIG. 1. The broken lines depict environmental structure that form no part of the claimed design.

(56) **References Cited**
U.S. PATENT DOCUMENTS

D254,759 S	4/1980	Rodstein
4,356,854 A	11/1982	McGee
4,390,116 A	6/1983	Fehr
4,408,706 A	10/1983	Hurley
4,496,088 A	1/1985	Tuthill
4,747,527 A	5/1988	Trumpower
4,815,640 A	3/1989	Johnson
D302,489 S	8/1989	Stone et al.

1 Claim, 6 Drawing Sheets



(56)

References Cited

U.S. PATENT DOCUMENTS

D348,982 S	7/1994	Dancyger	6,659,321 B2	12/2003	Hartranft et al.
D348,983 S	7/1994	Dancyger	6,662,373 B2	12/2003	Frank
5,329,884 A	7/1994	Bell	6,675,965 B2	1/2004	Holland et al.
5,341,975 A	8/1994	Marinescu	D487,630 S	3/2004	Martin et al.
D350,229 S	9/1994	Dancyger	6,698,632 B1	3/2004	Turner et al.
D350,849 S	9/1994	Dancyger	6,701,534 B2	3/2004	Guibord
D355,748 S	2/1995	Dancyger	6,712,251 B2	3/2004	Godshaw et al.
5,388,740 A	2/1995	Garland	6,766,532 B1	7/2004	Cabana
D361,658 S	8/1995	Martin	D496,787 S	10/2004	Cabrera et al.
5,497,923 A	3/1996	Pearson et al.	6,848,605 B2	2/2005	Dillenberger
5,501,379 A	3/1996	Munoz	6,889,834 B2	5/2005	Ho
5,505,356 A	4/1996	Noriega et al.	6,907,989 B2	6/2005	Ho
5,511,703 A	4/1996	Ryerson	6,915,902 B2	7/2005	Brouard
5,511,705 A	4/1996	Dreszer	6,991,104 B2	1/2006	Redzisz
5,531,292 A	7/1996	Bell	6,994,238 B2	2/2006	Estabaya
5,568,887 A	10/1996	Gollihue et al.	7,011,241 B2	3/2006	Godshaw et al.
5,609,283 A *	3/1997	Harrison, Jr. A45F 5/02 224/247	7,055,652 B1	6/2006	Williams
D378,633 S	4/1997	Granito	7,077,303 B2	7/2006	Zega
5,630,536 A	5/1997	Bugnaski	D528,785 S	9/2006	Fraga
5,639,003 A	6/1997	Utzinger	D530,506 S	10/2006	Thurner
D381,804 S	8/1997	Dancyger	D531,401 S	11/2006	Thurner
5,653,337 A	8/1997	Cirigliano	D531,799 S	11/2006	Adams et al.
5,673,830 A	10/1997	Matthews	7,150,345 B2	12/2006	Redzisz
5,730,347 A	3/1998	Finot	7,243,793 B2	7/2007	Ho
5,813,530 A	9/1998	Kornblatt	D553,350 S	10/2007	Dvorak
D410,773 S	6/1999	Case	D553,362 S	10/2007	Godshaw et al.
5,915,610 A	6/1999	Russell	7,293,635 B2	11/2007	Repke et al.
5,941,438 A	8/1999	Price	7,314,153 B2	1/2008	Musarella et al.
5,971,101 A	10/1999	Taggart	7,318,542 B2	1/2008	Godshaw et al.
5,988,315 A	11/1999	Crane	D588,800 S *	3/2009	Cicione D3/228
D418,291 S	1/2000	Dancyger	D603,164 S	11/2009	Meier et al.
6,016,944 A	1/2000	Girbert	7,658,307 B2	2/2010	Skupin
D423,773 S	5/2000	Dancyger	7,699,197 B2	4/2010	Panosian et al.
6,065,658 A	5/2000	Hashimoto	7,784,658 B1	8/2010	Hansen
6,070,288 A	6/2000	Luyckx et al.	D628,382 S	12/2010	Niehaus et al.
D428,250 S	7/2000	Reichardt	7,909,214 B2	3/2011	Gold et al.
6,085,952 A	7/2000	Garland	D641,552 S	7/2011	Sosnovsky
D431,104 S	9/2000	Dancyger	7,984,820 B2	7/2011	Dancyger
6,119,909 A	9/2000	Dancyger	8,016,173 B2	9/2011	Dvorak
6,126,003 A	10/2000	Brouard	D647,301 S	10/2011	Sosnovsky
6,155,471 A	12/2000	Lichtenberger	8,032,980 B2	10/2011	Basenberg et al.
6,179,185 B1	1/2001	Dancyger	D648,121 S	11/2011	Dallmann
D437,998 S	2/2001	Williamson	D648,532 S	11/2011	Sosnovsky
D437,999 S	2/2001	Williamson	D648,533 S	11/2011	Sosnovsky
6,193,119 B1	2/2001	Schwarm	8,152,037 B2	4/2012	Sabbag
D438,701 S	3/2001	Dancyger	8,177,029 B1	5/2012	Norton et al.
6,213,365 B1	4/2001	Stock et al.	8,220,683 B2	7/2012	Williams
6,216,931 B1	4/2001	Trawinski	D667,636 S	9/2012	Maglieri
D443,411 S	6/2001	Snider et al.	D672,556 S	12/2012	Scarabelli
6,267,276 B1	7/2001	Cook	D676,234 S	2/2013	Moreau et al.
D448,162 S	9/2001	Snider	8,376,665 B2	2/2013	Kirby
D450,449 S	11/2001	Godshaw et al.	8,382,373 B1	2/2013	Dancyger
D455,901 S	4/2002	Snider	8,403,140 B2	3/2013	Woolery
6,390,348 B1	5/2002	Godshaw et al.	D684,764 S	6/2013	Sigouin
6,398,092 B1	6/2002	Ansley	D696,012 S	12/2013	Hanlon
6,435,389 B1	8/2002	Sucher	D699,940 S	2/2014	Robert
D463,115 S	9/2002	Snider	D701,045 S	3/2014	Menirom et al.
6,446,852 B1	9/2002	Sorensen et al.	D703,438 S	4/2014	Lee
D463,664 S	10/2002	Borsuk	D704,435 S	5/2014	Moreau et al.
6,478,463 B2	11/2002	Snider	D707,962 S	7/2014	Moreau et al.
6,487,756 B1	12/2002	Vidal	8,875,314 B1	11/2014	Panetta
6,536,590 B1	3/2003	Godshaw et al.	2001/0035736 A1	11/2001	Person
6,550,592 B1	4/2003	Godshaw et al.	2002/0008128 A1	1/2002	Field
6,561,402 B2	5/2003	Holland et al.	2002/0014507 A1	2/2002	Snider et al.
6,568,575 B1	5/2003	Bartholomew	2002/0096545 A1	7/2002	Chang
D477,142 S	7/2003	Dancyger	2002/0145027 A1	10/2002	Godshaw et al.
D477,462 S	7/2003	Dancyger	2002/0170933 A1	11/2002	Martin
6,592,012 B2	7/2003	Godshaw et al.	2003/0042160 A1	3/2003	Godshaw et al.
6,601,743 B2	8/2003	Godshaw	2003/0102346 A1	6/2003	Chen
D481,535 S	11/2003	Cabrera et al.	2003/0197042 A1	10/2003	Warren
D482,196 S	11/2003	Cabrera et al.	2003/0213827 A1	11/2003	Langmuir
D482,524 S	11/2003	Cabrera et al.	2004/0245305 A1	12/2004	Garcia
6,641,011 B1	11/2003	Kahn	2005/0133561 A1	6/2005	Kimball
6,655,565 B2	12/2003	Godshaw et al.	2005/0236454 A1	10/2005	Godshaw et al.
			2006/0070901 A1	4/2006	Adams et al.
			2006/0102674 A1	5/2006	Godshaw et al.
			2006/0102678 A1	5/2006	Bommarito
			2006/0144885 A1	7/2006	Smeuninx
			2006/0206992 A1	9/2006	Godshaw et al.

(56)

References Cited

U.S. PATENT DOCUMENTS

2006/0261116 A1	11/2006	Brandeis	2009/0078730 A1	3/2009	Kuny et al.
2006/0266782 A1	11/2006	Godshaw et al.	2009/0108040 A1	4/2009	Corzine
2006/0289585 A1	12/2006	Godshaw et al.	2009/0145711 A1	6/2009	Panosian et al.
2007/0025647 A1	2/2007	Hamlin	2009/0145938 A1	6/2009	Kahn
2007/0045372 A1	3/2007	Cangemi	2009/0242598 A1	10/2009	Dormaar
2007/0058887 A1	3/2007	Godshaw et al.	2009/0294500 A1	12/2009	Brown et al.
2007/0062997 A1	3/2007	Thurner	2009/0314813 A1	12/2009	Woolery
2007/0125819 A1	6/2007	Kahn	2010/0044405 A1	2/2010	Albert
2007/0138227 A1	6/2007	Rickman	2010/0072242 A1	3/2010	Panosian et al.
2007/0170220 A1	7/2007	Fragassi	2010/0176171 A1	7/2010	Araujo
2007/0241014 A1	10/2007	Williams	2011/0089057 A1	4/2011	Miller et al.
2007/0241158 A1	10/2007	Shima	2011/0132953 A1	6/2011	Kreitzer
2007/0241159 A1	10/2007	Chang	2011/0176752 A1	7/2011	Williams et al.
2007/0295776 A1	12/2007	Whelan	2012/0055894 A1	3/2012	Cabana et al.
2008/0017683 A1	1/2008	Votel	2012/0085802 A1	4/2012	Ferrante
2008/0023515 A1	1/2008	Coonan et al.	2012/0138496 A1	6/2012	Tonelli
2008/0029562 A1	2/2008	Hawkins et al.	2012/0145755 A1	6/2012	Kahn
2008/0093406 A1	4/2008	Logan et al.	2012/0168472 A1	7/2012	Mathews
2008/0135594 A1	6/2008	Williams	2013/0008933 A1	1/2013	Clifford
2008/0179370 A1	7/2008	Williams	2013/0048419 A1	2/2013	Nichols, Jr.
2008/0185414 A1	8/2008	Conlon	2013/0119100 A1	5/2013	Ito et al.
2008/0197756 A1	8/2008	Macias et al.	2013/0119101 A1	5/2013	Hachisuka
2008/0202962 A1	8/2008	Brouard	2013/0248284 A1	9/2013	Nichols
2008/0240624 A1	10/2008	Godshaw et al.	2013/0299544 A1	11/2013	Moreau et al.
2008/0264992 A1	10/2008	Westling	2014/0166516 A1	6/2014	Martinez et al.
2008/0314947 A1	12/2008	Gold et al.	2014/0190852 A1	7/2014	Kinskey et al.
			2014/0239024 A1	8/2014	Brouard et al.
			2014/0262861 A1	9/2014	Crowe et al.

* cited by examiner



FIG. 1

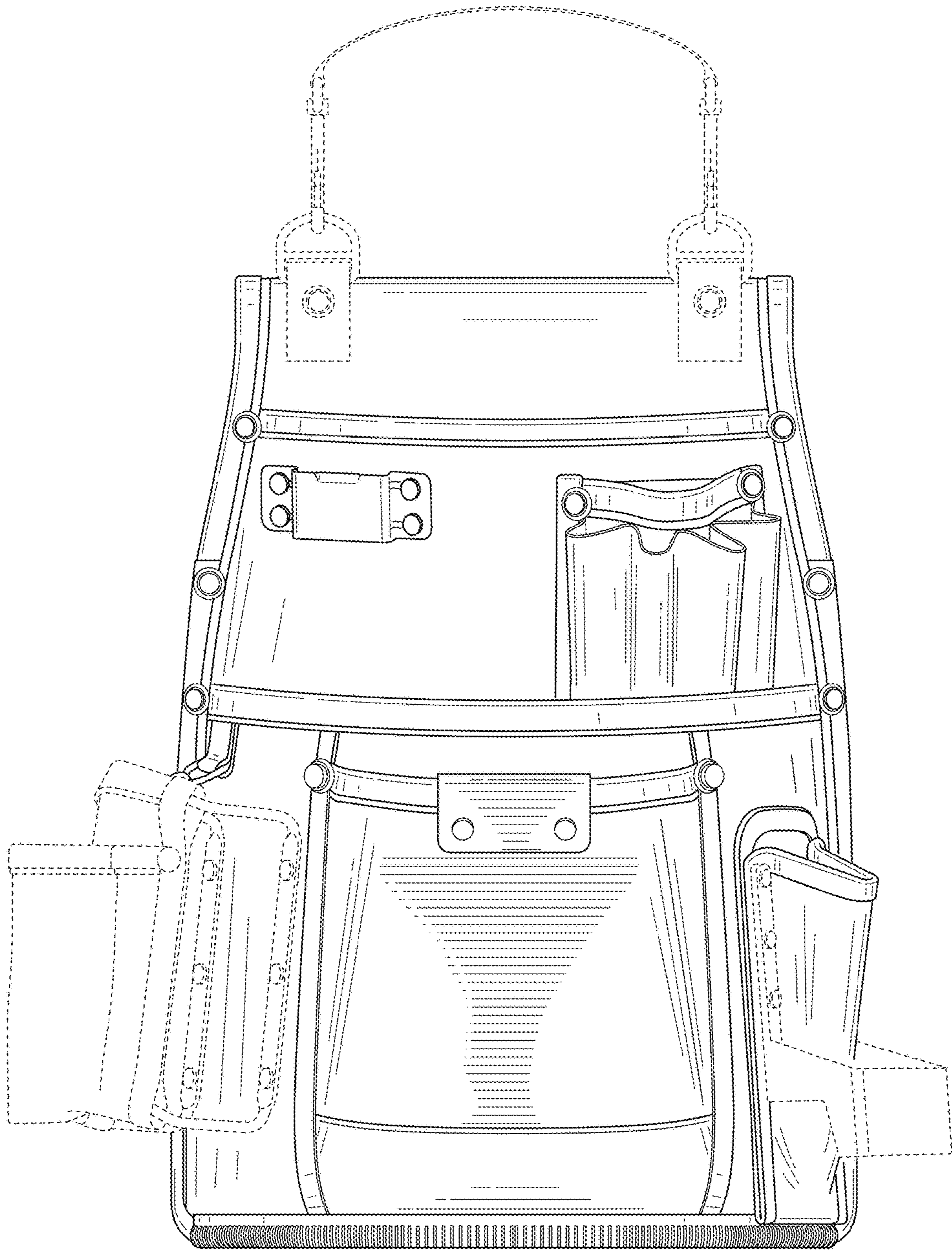


FIG. 2

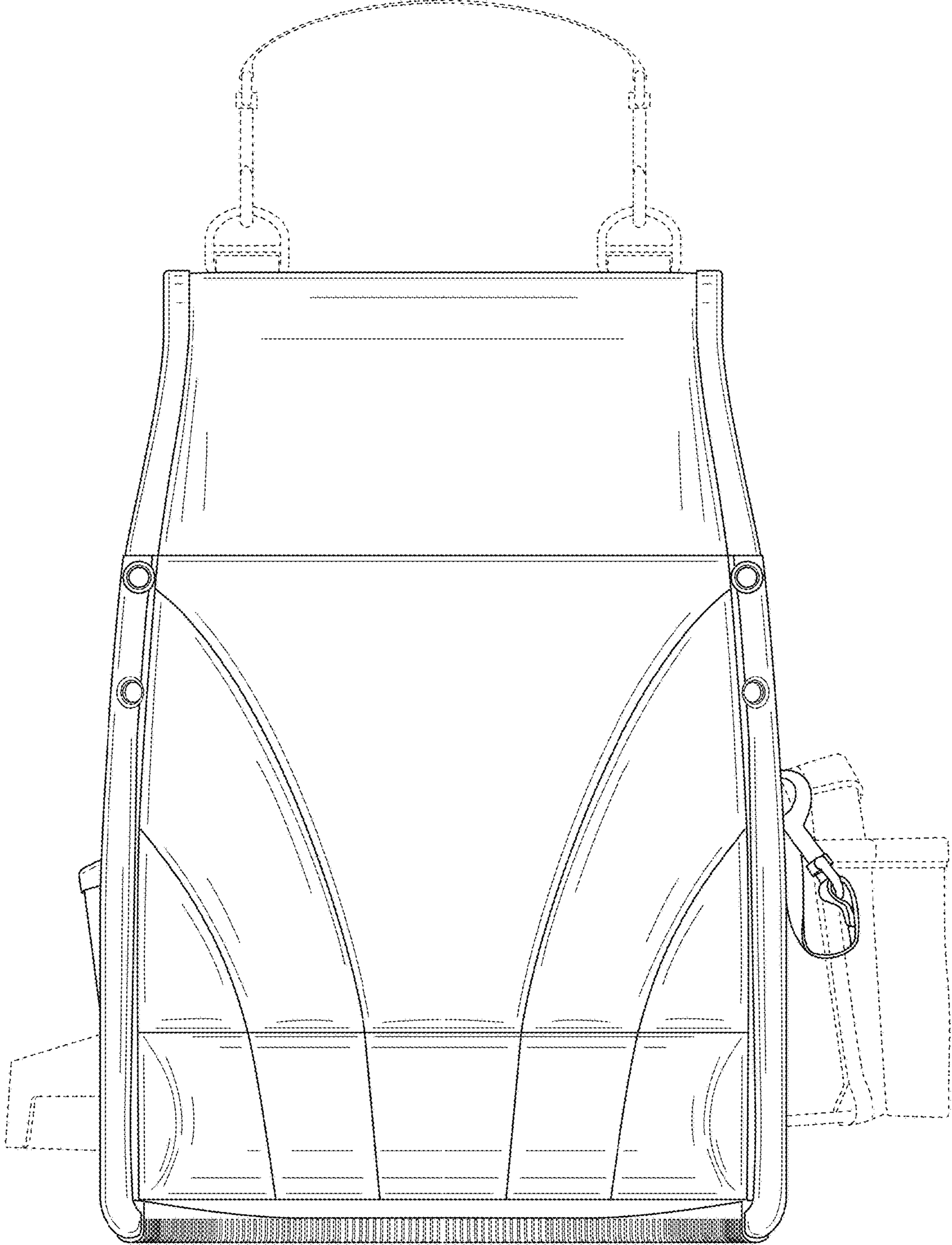


FIG. 3

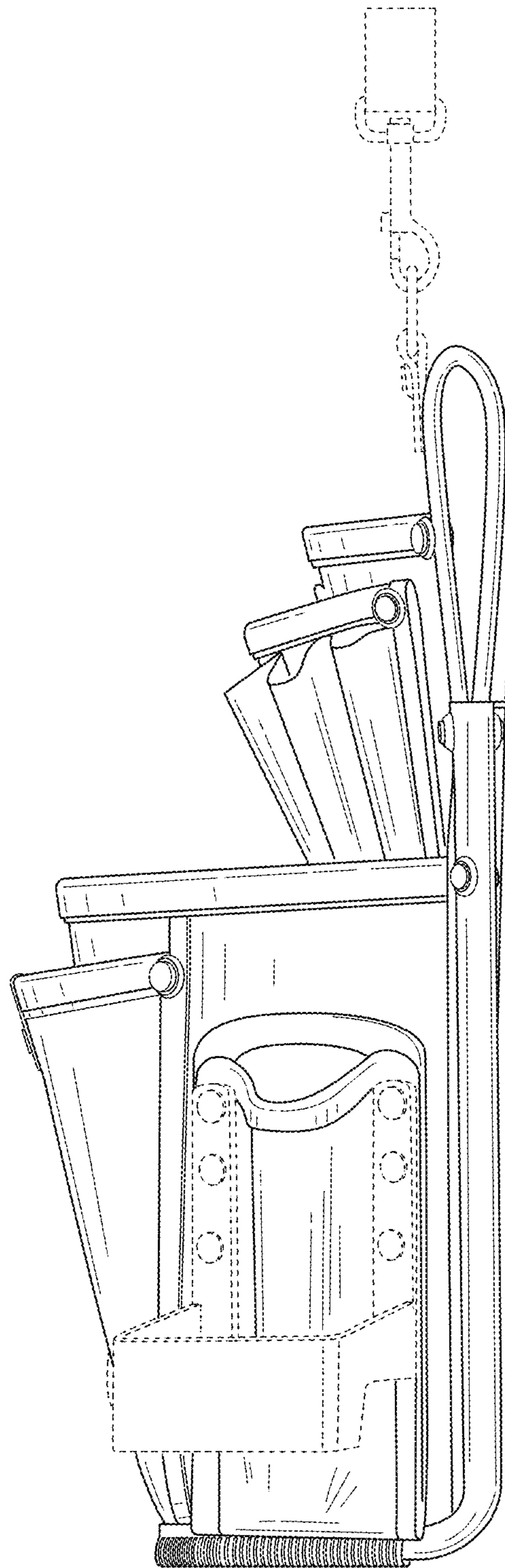


FIG. 4

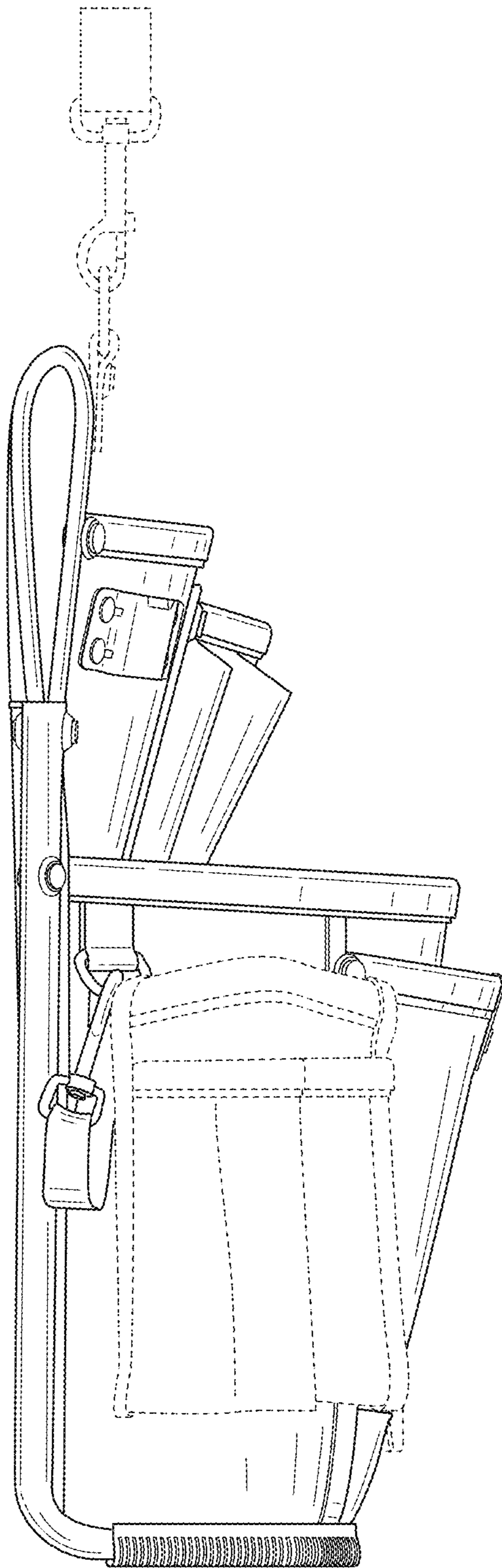


FIG. 5

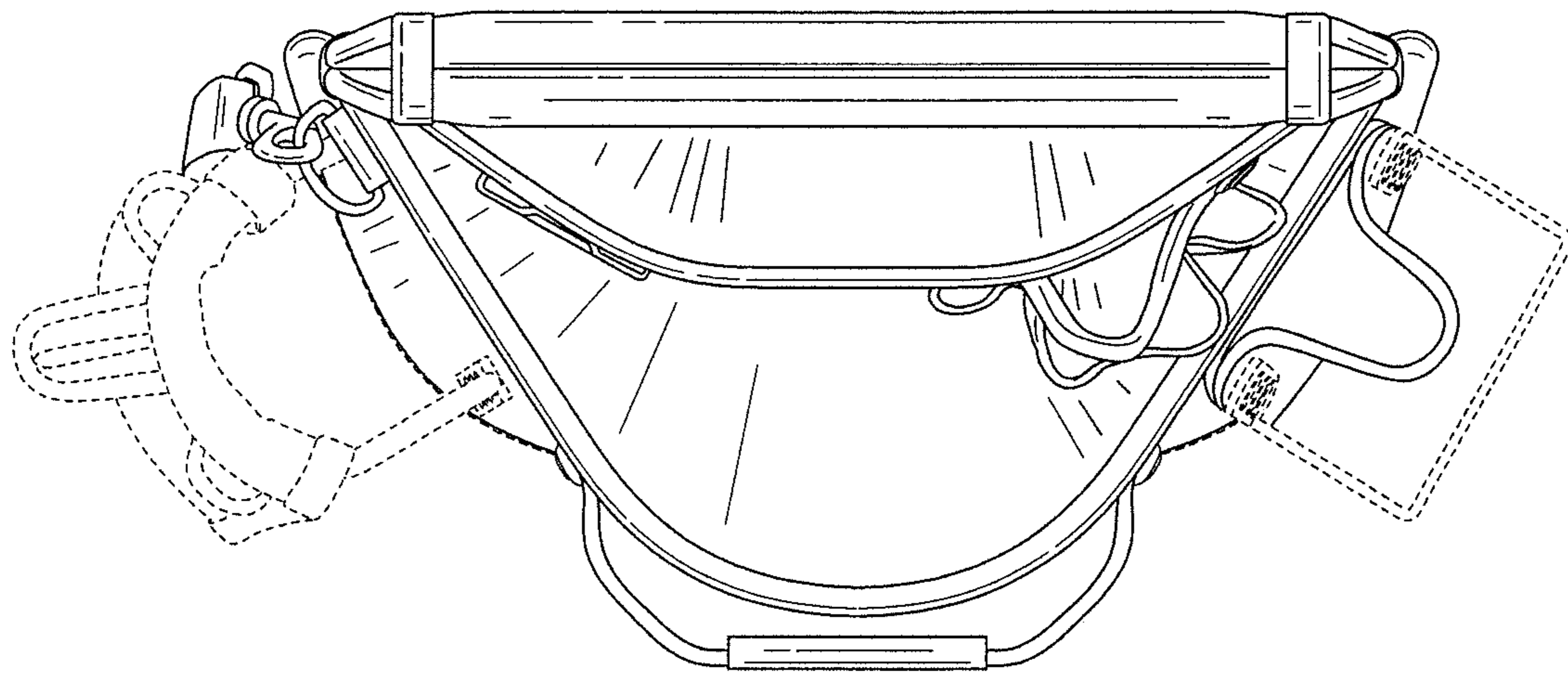


FIG. 6

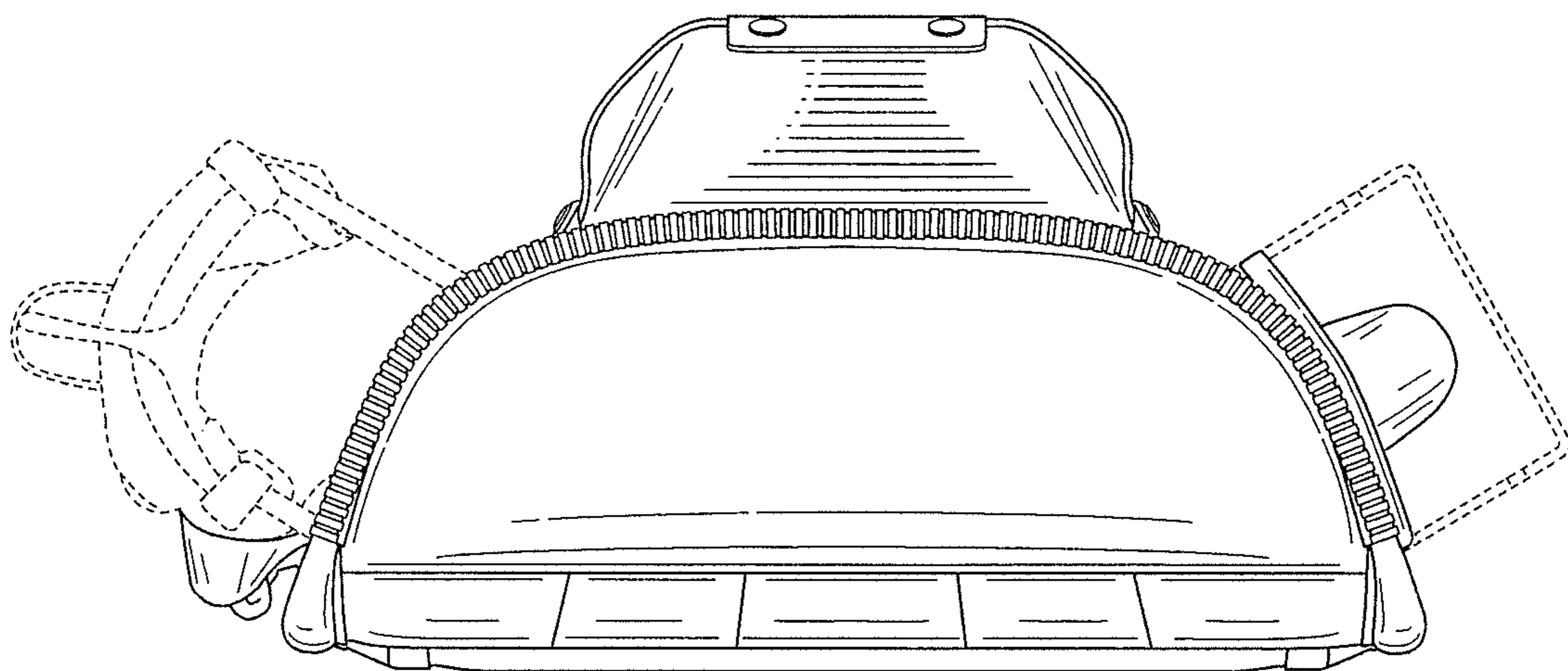


FIG. 7