



US00D779194S

(12) **United States Design Patent** (10) **Patent No.:** **US D779,194 S**
Kinskey (45) **Date of Patent:** **** Feb. 21, 2017**

- | | |
|---|---|
| <p>(54) HAND TOOL POUCH</p> <p>(71) Applicant: L.F. Centennial Ltd., Road Town, Tortola (VG)</p> <p>(72) Inventor: Terrence P. Kinskey, Alpharetta, GA (US)</p> <p>(73) Assignee: L.F. CENTENNIAL LTD., Road Town, Tortola (VG)</p> <p>(**) Term: 14 Years</p> | <p>4,917,281 A 4/1990 Ostermiller
 4,923,105 A 5/1990 Snyder
 4,932,576 A 6/1990 Ashley
 4,961,522 A 10/1990 Weber
 4,962,873 A 10/1990 Schattel
 4,966,321 A 10/1990 Outlaw
 D313,121 S 12/1990 Dise
 4,993,614 A 2/1991 Bonofigl
 D316,185 S 4/1991 Seber
 D316,186 S 4/1991 Seber
 D316,485 S 4/1991 Seber
 5,014,636 A 5/1991 Seber</p> <p style="text-align: right;">(Continued)</p> |
|---|---|

FOREIGN PATENT DOCUMENTS

- (21) Appl. No.: **29/518,308**
- (22) Filed: **Feb. 23, 2015**
- (51) **LOC (10) Cl.** **03-01**
- (52) **U.S. Cl.**
USPC **D3/228**
- (58) **Field of Classification Search**
USPC D3/228, 215, 224, 303, 310, 315, 321,
D3/905; 206/372-379; 224/162, 232, 240,
224/243, 245, 251, 576-577, 660, 668,
224/674, 676-678, 682, 684, 904, 247
CPC A45F 3/04; A45F 3/005; A45F 5/00;
A45F 3/14; A45F 5/021; A45F
5/02; A45F 2200/05; A45F 2200/0575
See application file for complete search history.

CA	2755685	4/2013
CA	2800605	7/2014

Primary Examiner — Catheri Oliver-Garcia
(74) *Attorney, Agent, or Firm* — Duane Morris LLP; J. Rodman Steele, Jr.; Gregory M. Lefkowitz

(57) **CLAIM**

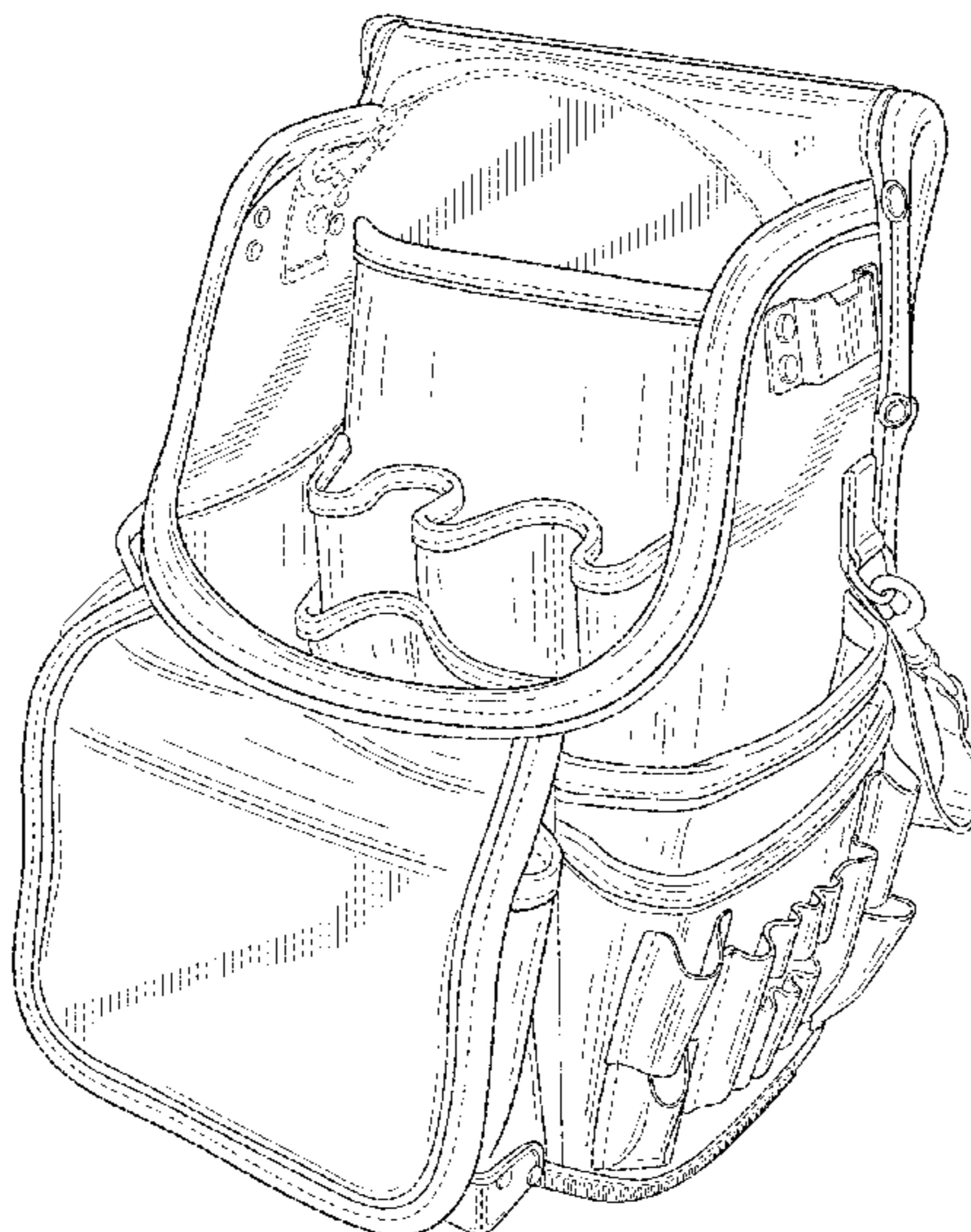
The ornamental design for a hand tool pouch, as shown and described.

DESCRIPTION

FIG. 1 is a front, right perspective view in accordance with a new hand tool pouch design;
FIG. 2 is a front, left perspective view in accordance with a new hand tool pouch design;
FIG. 3 is a front view of the design of FIG. 1;
FIG. 4 is a rear view of the design of FIG. 1;
FIG. 5 is a right side view of the design of FIG. 1;
FIG. 6 is a left side view of the design of FIG. 1;
FIG. 7 is a top view of the design of FIG. 1; and,
FIG. 8 is a bottom view of the design of FIG. 1.
The broken lines depict environmental structure that form no part of the claimed design.

- (56) **References Cited**
- U.S. PATENT DOCUMENTS
- | | | |
|-------------|---------|-------------------|
| D254,759 S | 4/1980 | Rodstein |
| 4,356,854 A | 11/1982 | McGee |
| 4,390,116 A | 6/1983 | Fehr |
| 4,408,706 A | 10/1983 | Hurley |
| 4,496,088 A | 1/1985 | Tuthill |
| 4,747,527 A | 5/1988 | Trumpower |
| 4,782,535 A | 11/1988 | Yewer, Jr. et al. |
| 4,815,640 A | 3/1989 | Johnson |
| D302,489 S | 8/1989 | Stone et al. |

1 Claim, 8 Drawing Sheets



(56)

References Cited

U.S. PATENT DOCUMENTS

D324,309 S	3/1992	Huff	6,568,575 B1	5/2003	Bartholomew
D333,040 S	2/1993	Dancyger	D477,142 S	7/2003	Dancyger
D333,215 S	2/1993	Brown	D477,462 S	7/2003	Dancyger
5,195,667 A	3/1993	Gallant	6,592,012 B2	7/2003	Godshaw et al.
5,201,448 A	4/1993	Schue	6,601,743 B2	8/2003	Godshaw
5,209,384 A	5/1993	Anderson	D481,535 S	11/2003	Cabrera et al.
D348,777 S	7/1994	Dancyger	D482,196 S	11/2003	Cabrera et al.
D348,778 S	7/1994	Dancyger	D482,524 S	11/2003	Cabrera et al.
D348,982 S	7/1994	Dancyger	6,641,011 B1	11/2003	Kahn
D348,983 S	7/1994	Dancyger	6,655,565 B2	12/2003	Godshaw et al.
5,329,884 A	7/1994	Bell	6,659,321 B2	12/2003	Hartranft et al.
5,337,933 A	8/1994	Nunez	6,662,373 B2	12/2003	Frank
5,341,975 A	8/1994	Marinescu	6,675,965 B2	1/2004	Holland et al.
D350,229 S	9/1994	Dancyger	D487,630 S	3/2004	Martin et al.
D350,849 S	9/1994	Dancyger	6,698,632 B1	3/2004	Turner et al.
D355,748 S	2/1995	Dancyger	6,701,534 B2	3/2004	Guibord
5,388,740 A	2/1995	Garland	6,712,251 B2	3/2004	Godshaw et al.
D361,658 S	8/1995	Martin	6,766,532 B1	7/2004	Cabana
5,497,923 A	3/1996	Pearson et al.	D496,787 S	10/2004	Cabrera et al.
5,501,379 A	3/1996	Munoz	D501,078 S	1/2005	Cabana
5,505,356 A	4/1996	Noriega et al.	6,848,605 B2	2/2005	Dillenberger
5,511,703 A	4/1996	Ryerson	6,889,834 B2	5/2005	Ho
5,511,705 A	4/1996	Dreszer	6,907,989 B2	6/2005	Ho
5,531,292 A	7/1996	Bell	6,915,902 B2	7/2005	Brouard
5,568,887 A	10/1996	Gollihue et al.	6,991,104 B2	1/2006	Redzisz
D378,633 S	4/1997	Granito	6,994,238 B2	2/2006	Estabaya
5,630,536 A	5/1997	Bugnaski	7,011,241 B2	3/2006	Godshaw et al.
5,639,003 A	6/1997	Utzinger	7,055,652 B1	6/2006	Williams
D381,804 S	8/1997	Dancyger	7,077,303 B2	7/2006	Zega
5,653,337 A	8/1997	Cirigliano	D528,785 S	9/2006	Fraga
5,673,830 A	10/1997	Matthews	D530,506 S	10/2006	Thurner
5,730,347 A	3/1998	Finot	D531,401 S	11/2006	Thurner
5,813,530 A	9/1998	Kornblatt	D531,799 S	11/2006	Adams et al.
D406,896 S	3/1999	Dancyger	7,150,345 B2	12/2006	Redzisz
D410,773 S	6/1999	Case	D543,025 S	5/2007	Cicione
5,915,610 A	6/1999	Russell	7,243,793 B2	7/2007	Ho
5,941,438 A	8/1999	Price	D553,350 S	10/2007	Dvorak
5,971,101 A	10/1999	Taggart	D553,362 S	10/2007	Godshaw et al.
5,988,315 A	11/1999	Crane	7,293,635 B2	11/2007	Repke et al.
D418,291 S	1/2000	Dancyger	7,314,153 B2	1/2008	Musarella et al.
6,015,073 A	1/2000	Wojciak et al.	7,318,542 B2	1/2008	Godshaw et al.
6,016,944 A	1/2000	Girbert	D603,164 S	11/2009	Meier et al.
D423,759 S	5/2000	Dancyger	7,658,307 B2	2/2010	Skupin
D423,773 S	5/2000	Dancyger	7,699,197 B2	4/2010	Panosian et al.
6,065,658 A	5/2000	Hashimoto	7,784,658 B1	8/2010	Hansen
6,070,288 A	6/2000	Luyckx et al.	D628,382 S	12/2010	Niehaus et al.
D428,250 S	7/2000	Reichardt	7,909,214 B2	3/2011	Gold et al.
6,085,952 A	7/2000	Garland	D641,552 S	7/2011	Sosnovsky
D431,104 S	9/2000	Dancyger	7,984,820 B2	7/2011	Dancyger
6,119,909 A	9/2000	Dancyger	8,016,173 B2	9/2011	Dvorak
6,126,003 A	10/2000	Brouard	D647,301 S	10/2011	Sosnovsky
6,155,471 A	12/2000	Lichtenberger	8,032,980 B2	10/2011	Basenberg et al.
6,179,185 B1	1/2001	Dancyger	D648,121 S	11/2011	Dallmann
D437,998 S	2/2001	Williamson	D648,532 S	11/2011	Sosnovsky
D437,999 S	2/2001	Williamson	D648,533 S	11/2011	Sosnovsky
6,193,119 B1	2/2001	Schwarm	8,074,798 B2	12/2011	Williams et al.
D438,701 S	3/2001	Dancyger	8,151,938 B2	4/2012	Kinskey
6,213,365 B1	4/2001	Stock et al.	8,152,037 B2	4/2012	Sabbag
6,216,931 B1	4/2001	Trawinski	8,177,029 B1	5/2012	Norton et al.
D443,411 S	6/2001	Snider et al.	8,220,683 B2	7/2012	Williams
6,267,276 B1	7/2001	Cook	D667,636 S	9/2012	Maglieri
D448,162 S	9/2001	Snider	D672,556 S	12/2012	Scarabelli
D450,449 S	11/2001	Godshaw et al.	D672,962 S	12/2012	Wang et al.
D455,901 S	4/2002	Snider	D676,234 S *	2/2013	Moreau D3/228
6,390,348 B1	5/2002	Godshaw et al.	8,376,665 B2	2/2013	Kirby
6,398,092 B1	6/2002	Ansley	8,382,373 B1	2/2013	Dancyger
6,435,389 B1	8/2002	Sucher	8,403,140 B2	3/2013	Woolery
D463,115 S	9/2002	Snider	8,403,141 B2	3/2013	Williams et al.
6,446,852 B1	9/2002	Sorensen et al.	D684,764 S	6/2013	Sigouin
D463,664 S	10/2002	Borsuk	D692,231 S *	10/2013	Moreau D3/228
6,478,463 B2	11/2002	Snider	D696,012 S	12/2013	Hanlon
6,487,756 B1	12/2002	Vidal	D699,940 S	2/2014	Robert
6,536,590 B1	3/2003	Godshaw et al.	D701,045 S	3/2014	Menirom et al.
6,550,592 B1	4/2003	Godshaw et al.	D703,438 S	4/2014	Lee
6,561,402 B2	5/2003	Holland et al.	8,708,351 B2	4/2014	Kinskey et al.
			D704,435 S	5/2014	Moreau et al.
			D707,962 S	7/2014	Moreau et al.
			D715,549 S	10/2014	Moreau et al.
			8,875,314 B1	11/2014	Panetta

(56)

References Cited

U.S. PATENT DOCUMENTS

D723,797 S *	3/2015	Hassler	D3/228	2008/0029562 A1	2/2008	Hawkins et al.
9,038,869 B2 *	5/2015	Moreau	A45F 5/02 224/162	2008/0093406 A1	4/2008	Logan et al.
2001/0035736 A1	11/2001	Person		2008/0135594 A1	6/2008	Williams
2002/0008128 A1	1/2002	Field		2008/0179370 A1	7/2008	Williams
2002/0014507 A1	2/2002	Snider et al.		2008/0185414 A1	8/2008	Conlon
2002/0096545 A1	7/2002	Chang		2008/0197756 A1	8/2008	Macias et al.
2002/0145027 A1	10/2002	Godshaw et al.		2008/0202962 A1	8/2008	Brouard
2002/0170933 A1	11/2002	Martin		2008/0240624 A1	10/2008	Godshaw et al.
2003/0042160 A1	3/2003	Godshaw et al.		2008/0264992 A1	10/2008	Westling
2003/0102346 A1	6/2003	Chen		2008/0314947 A1	12/2008	Gold et al.
2003/0197042 A1	10/2003	Warren		2009/0078730 A1	3/2009	Kuny et al.
2003/0213827 A1	11/2003	Langmuir		2009/0108040 A1	4/2009	Corzine
2004/0245305 A1	12/2004	Garcia		2009/0145711 A1	6/2009	Panosian et al.
2005/0133561 A1	6/2005	Kimball		2009/0145938 A1	6/2009	Kahn
2005/0236454 A1	10/2005	Godshaw et al.		2009/0242598 A1	10/2009	Dormaar
2006/0070901 A1	4/2006	Adams et al.		2009/0294500 A1	12/2009	Brown et al.
2006/0102674 A1	5/2006	Godshaw et al.		2009/0314813 A1	12/2009	Woolery
2006/0102678 A1	5/2006	Bommarito		2010/0044405 A1	2/2010	Albert
2006/0144885 A1	7/2006	Smeuninx		2010/0072242 A1	3/2010	Panosian et al.
2006/0206992 A1	9/2006	Godshaw et al.		2010/0176171 A1	7/2010	Araujo
2006/0261116 A1	11/2006	Brandeis		2011/0089057 A1	4/2011	Miller et al.
2006/0266782 A1	11/2006	Godshaw et al.		2011/0132953 A1	6/2011	Kreitzer
2006/0289585 A1	12/2006	Godshaw et al.		2011/0176752 A1	7/2011	Williams et al.
2007/0025647 A1	2/2007	Hamlin		2012/0055894 A1	3/2012	Cabana et al.
2007/0045372 A1	3/2007	Cangemi		2012/0085802 A1	4/2012	Ferrante
2007/0058887 A1	3/2007	Godshaw et al.		2012/0138496 A1	6/2012	Tonelli
2007/0062997 A1	3/2007	Thurner		2012/0145755 A1	6/2012	Kahn
2007/0125819 A1	6/2007	Kahn		2012/0168472 A1	7/2012	Mathews
2007/0138227 A1	6/2007	Rickman		2013/0008933 A1	1/2013	Clifford
2007/0170220 A1	7/2007	Fragassi		2013/0048419 A1	2/2013	Nichols, Jr.
2007/0241014 A1	10/2007	Williams		2013/0119100 A1	5/2013	Ito et al.
2007/0241158 A1	10/2007	Shima		2013/0119101 A1	5/2013	Hachisuka
2007/0241159 A1	10/2007	Chang		2013/0248284 A1	9/2013	Nichols
2007/0295776 A1	12/2007	Whelan		2013/0299544 A1	11/2013	Moreau et al.
2008/0017683 A1	1/2008	Votel		2014/0166516 A1	6/2014	Martinez et al.
2008/0023515 A1	1/2008	Coonan et al.		2014/0190852 A1	7/2014	Kinskey et al.
				2014/0239024 A1	8/2014	Brouard et al.
				2014/0262861 A1	9/2014	Crowe et al.

* cited by examiner

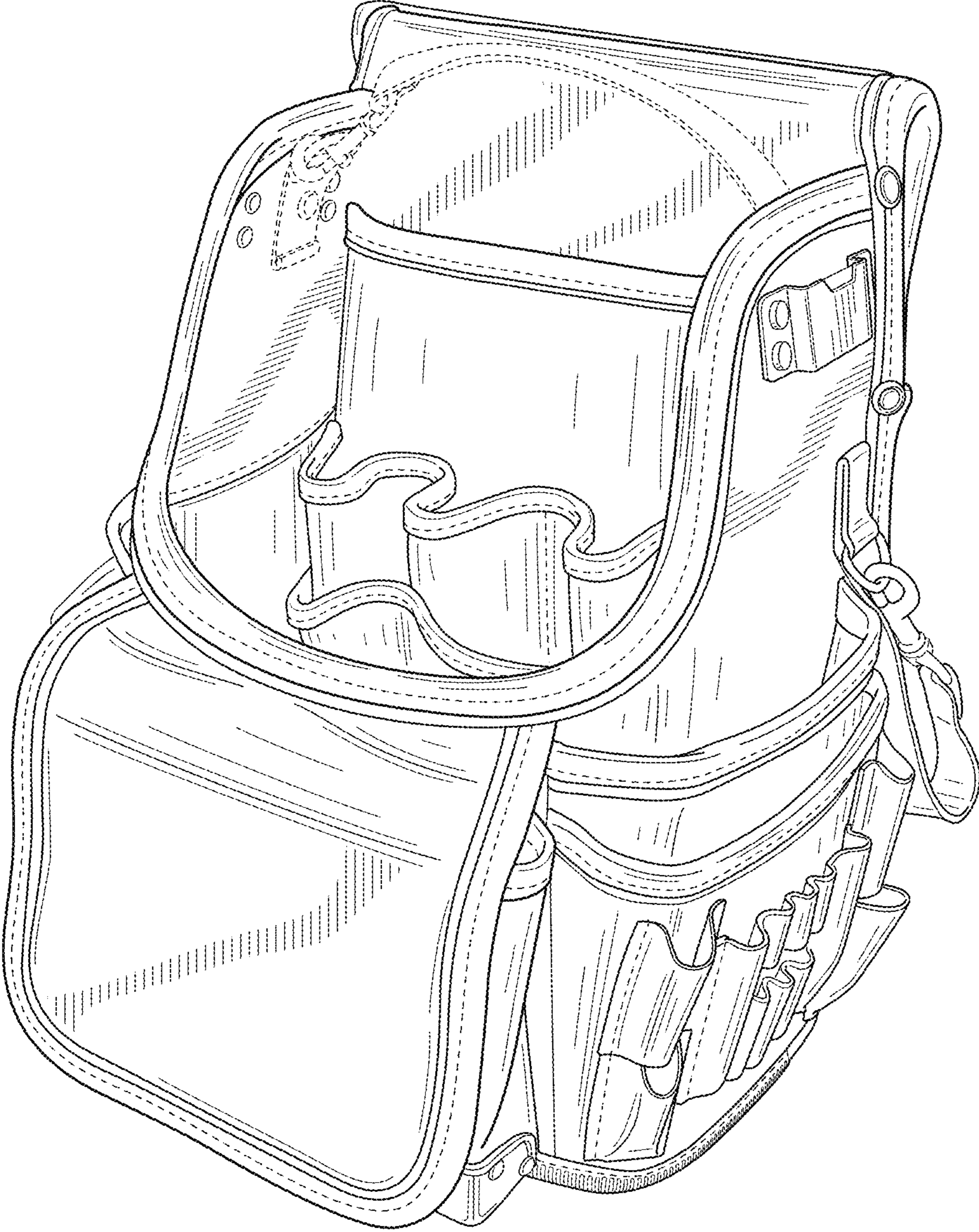


FIG. 1



FIG. 2

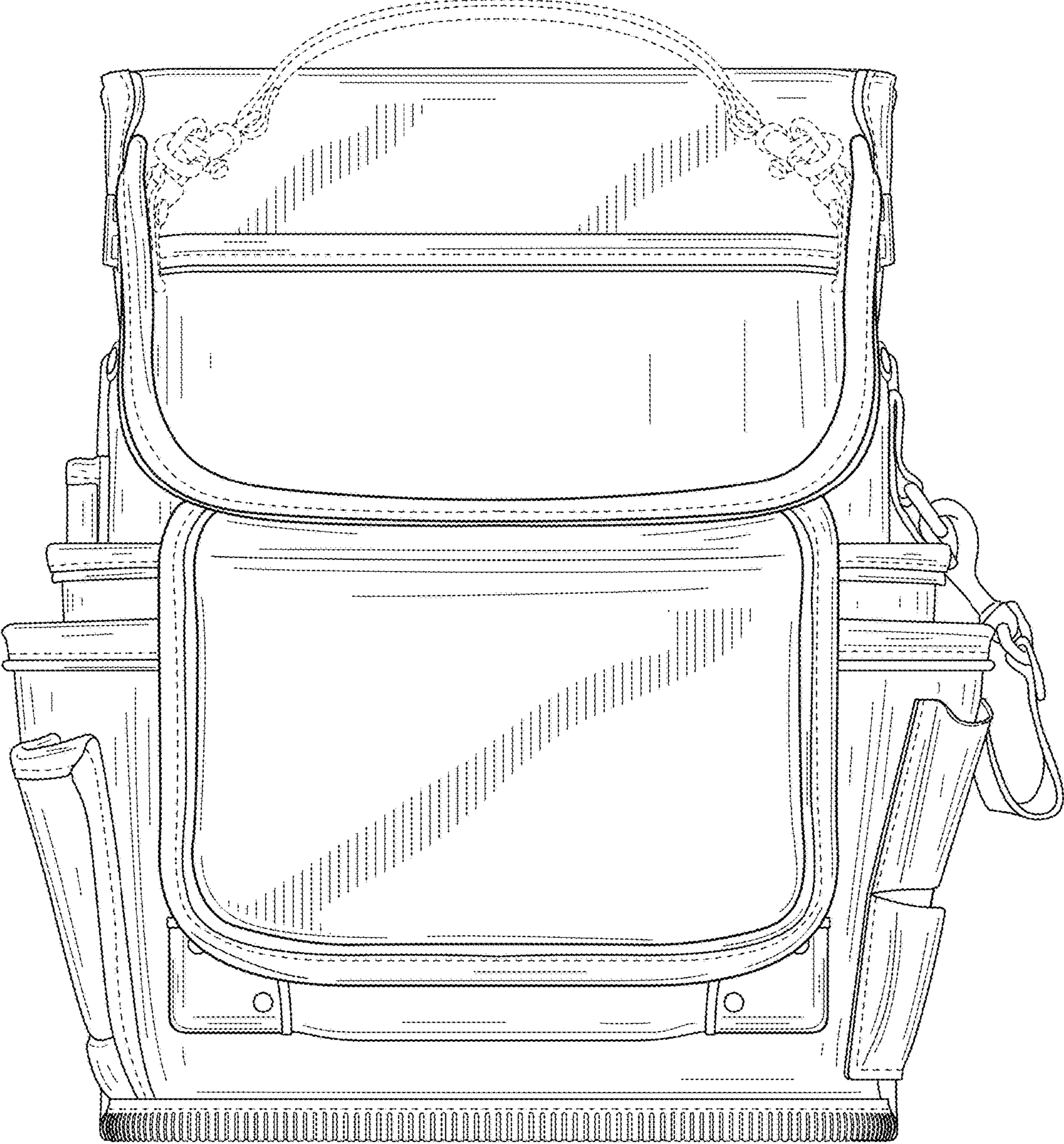


FIG. 3

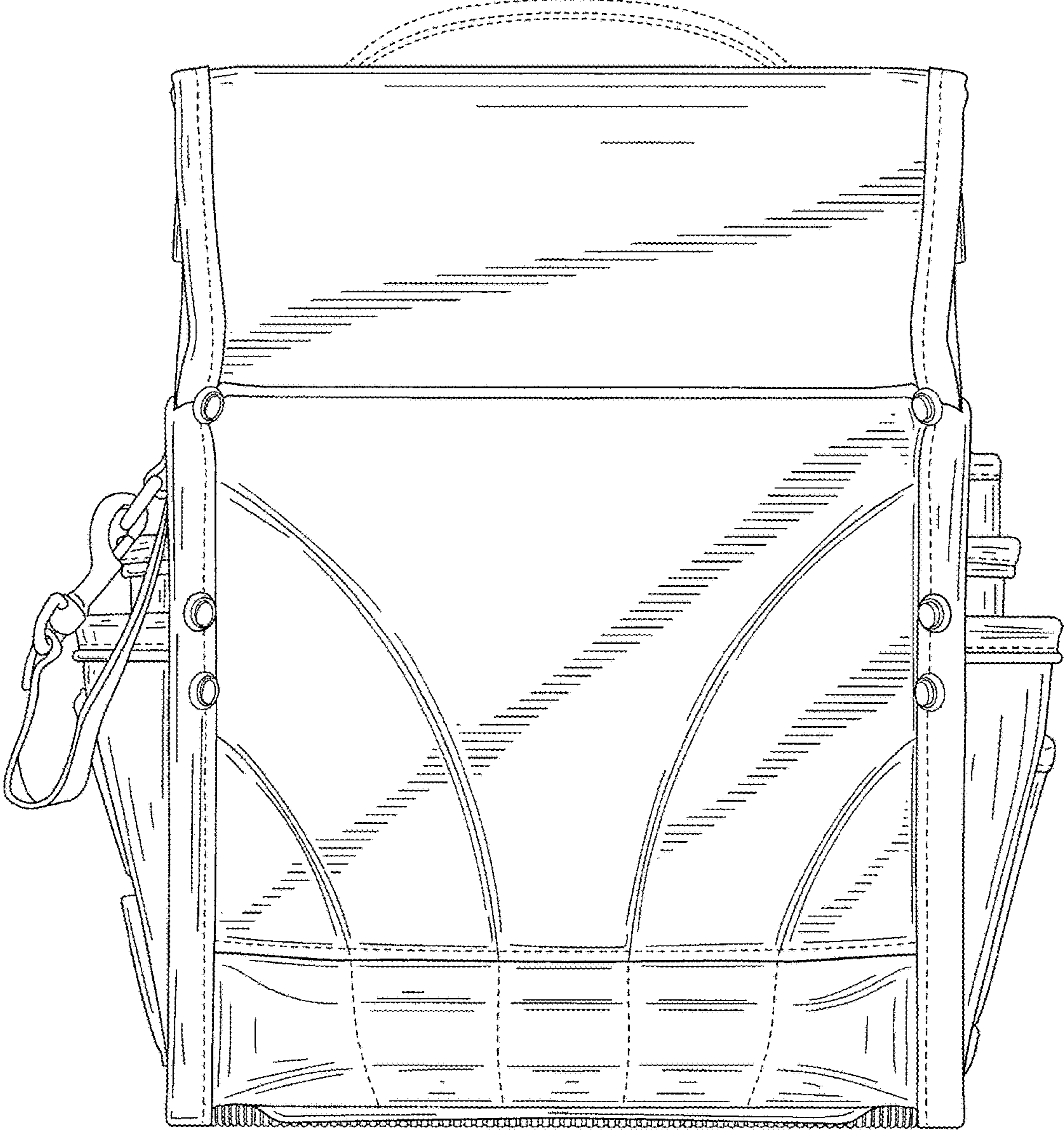


FIG. 4

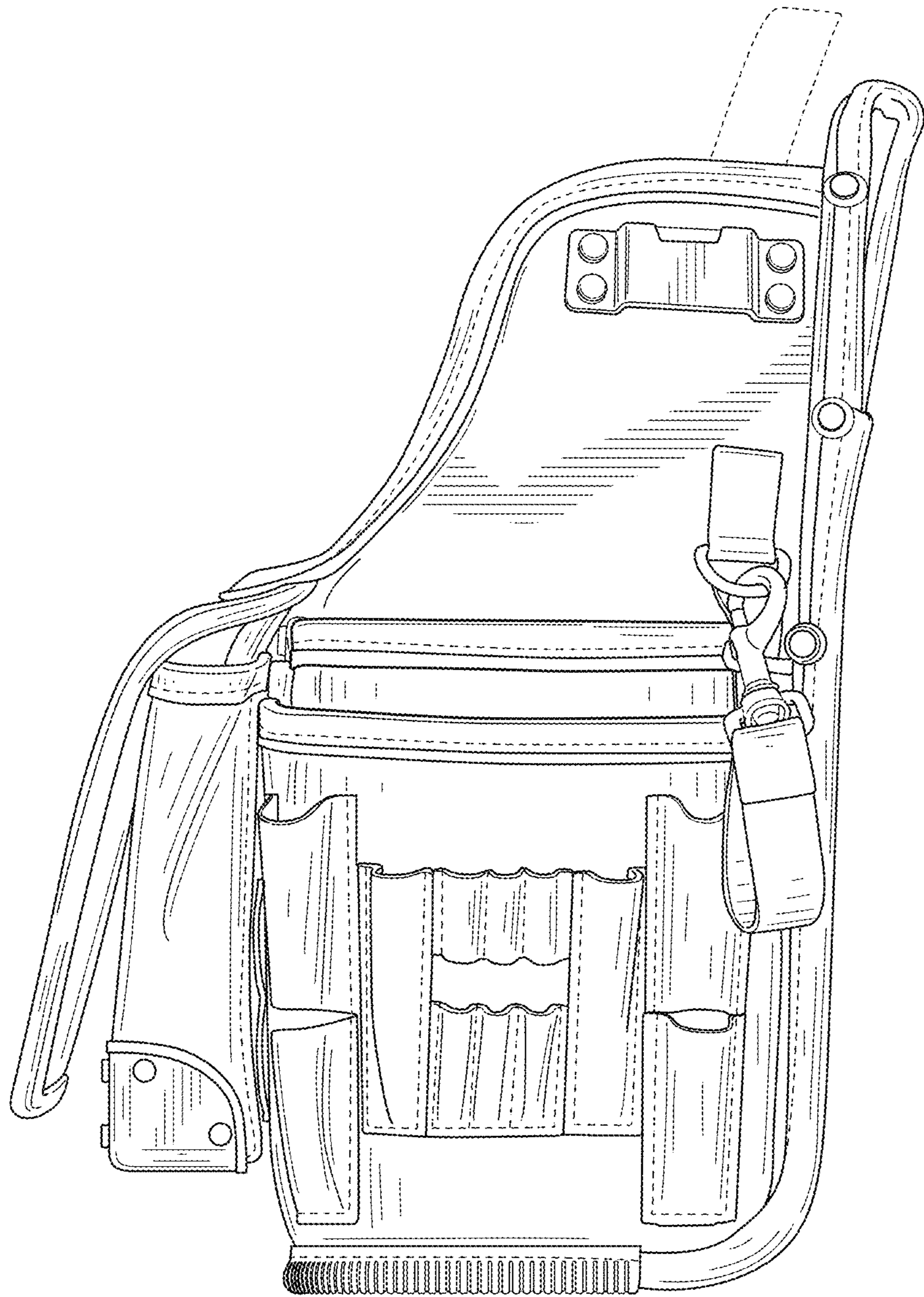


FIG. 5

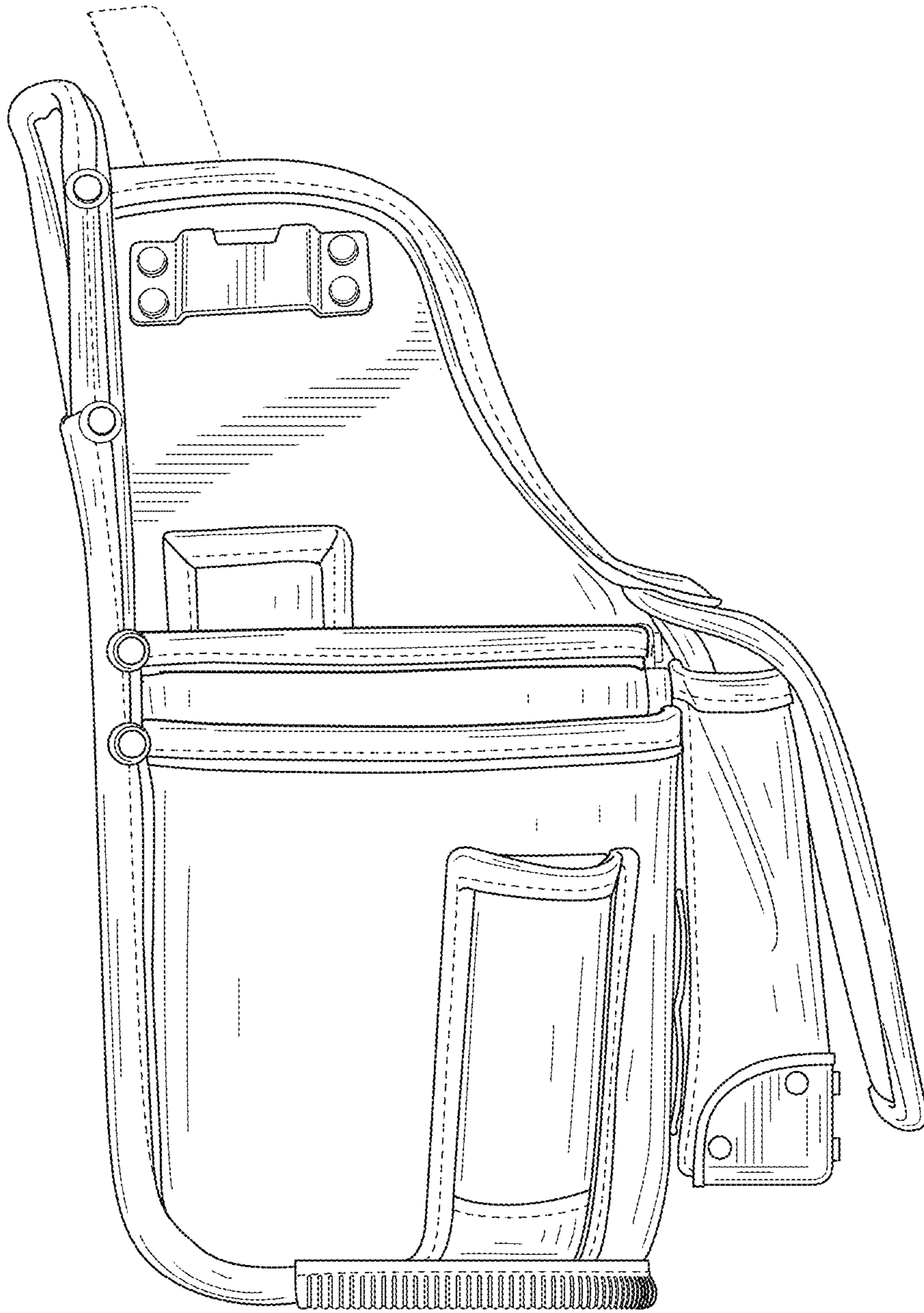


FIG. 6

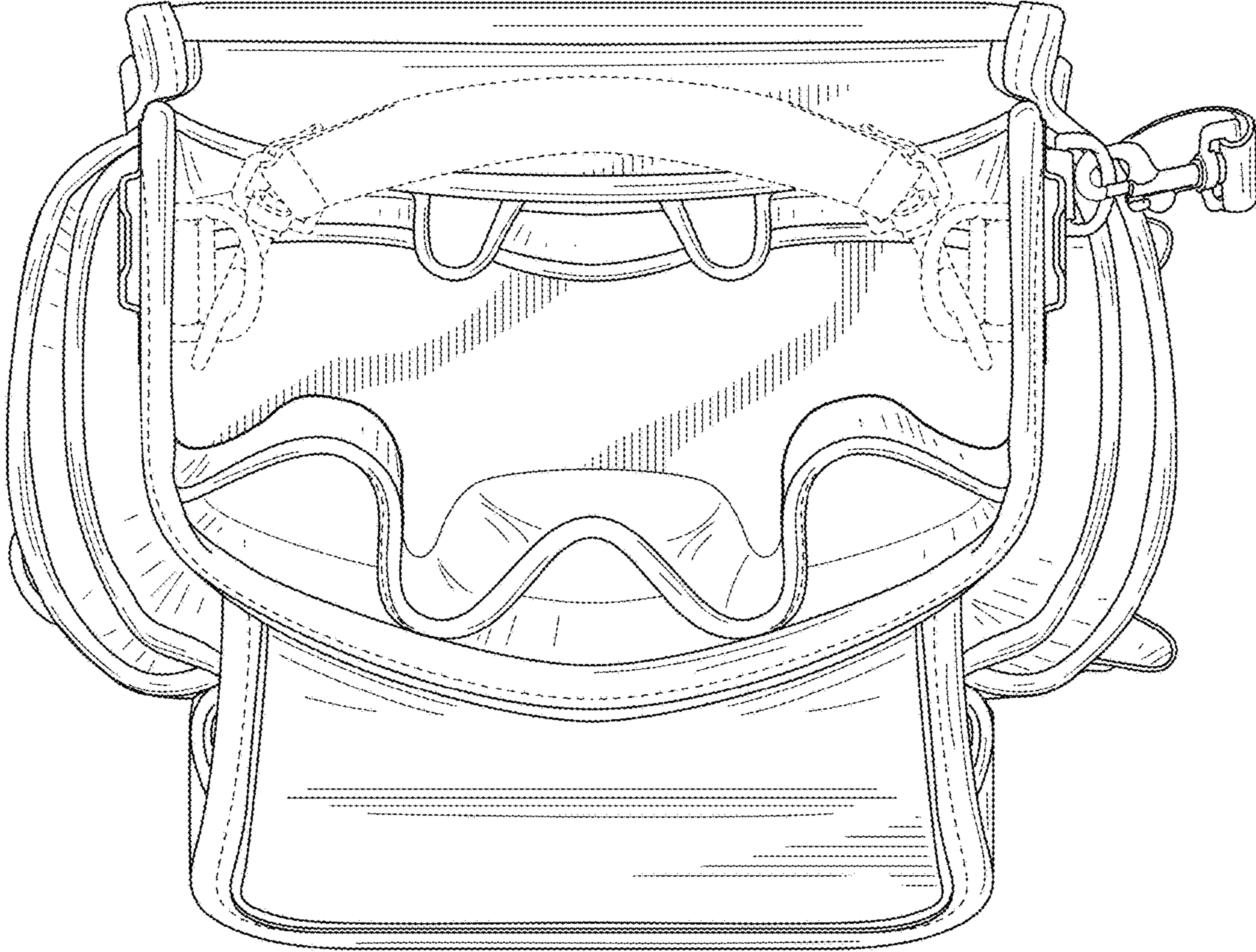


FIG. 7

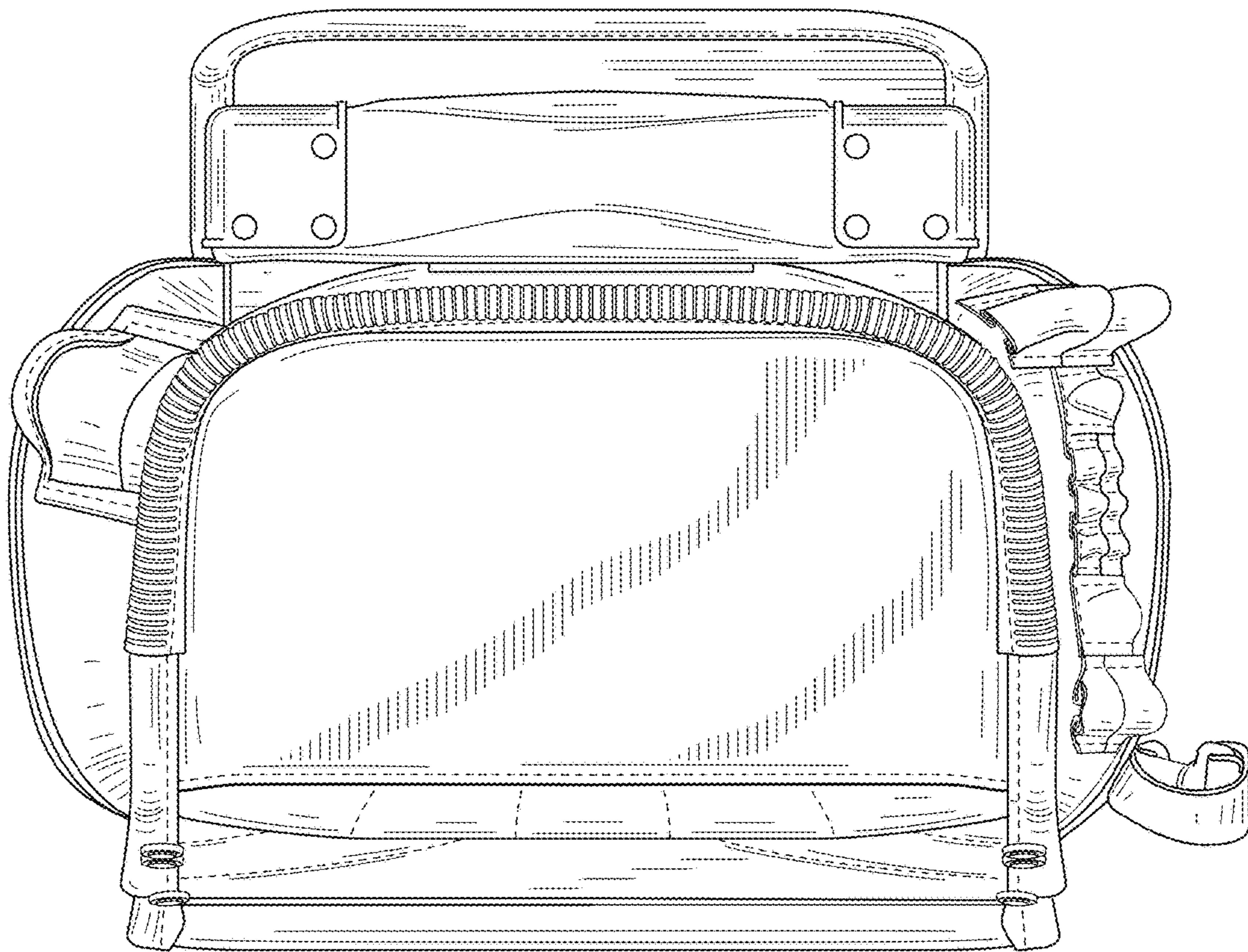


FIG. 8