



US00D779193S

(12) **United States Design Patent** (10) **Patent No.:** **US D779,193 S**
Jusino (45) **Date of Patent:** **** Feb. 21, 2017**

(54) **WRIST STRAP**

(71) Applicant: **Betsabe Jusino**, Hoboken, NJ (US)

(72) Inventor: **Betsabe Jusino**, Hoboken, NJ (US)

(**) Term: **14 Years**

(21) Appl. No.: **29/524,155**

(22) Filed: **Apr. 17, 2015**

(51) **LOC (10) Cl.** **03-01**

(52) **U.S. Cl.**
USPC **D3/218; D11/3**

(58) **Field of Classification Search**
USPC D11/1-26; D10/70, 98, 32, 38, 103,
D10/104.2; D24/167; D14/344;
D3/203.1, 215, 218, 201
CPC A44C 5/00; A44C 5/0007; A44C 5/0015;
A44C 5/0023; A44C 5/003; A44C
5/0038; A44C 5/0053; A44C 5/0061;
A44C 5/0069; A44C 5/0076; A44C
5/0084; A44C 5/0092; A44C 5/20; A61B
5/02405; A45F 5/00; A44F 2005/008
See application file for complete search history.

(56) **References Cited**

U.S. PATENT DOCUMENTS

D234,059	S *	1/1975	Popp	D13/183
5,201,444	A	4/1993	Simonet		
D346,125	S *	4/1994	Cote	D10/104.2
6,360,928	B1	3/2002	Russo		
D455,356	S *	4/2002	Saffer	D10/32
6,754,069	B2	6/2004	Harada		

6,796,467	B2	9/2004	Caldana		
D525,538	S *	7/2006	Oas	D10/32
8,328,055	B1	12/2012	Snyder		
D744,746	S *	12/2015	Ballesteros	D3/215
D751,934	S *	3/2016	Rodda	D10/103
2003/0230606	A1	12/2003	Devinie		
2007/0178950	A1	8/2007	Lewis et al.		
2010/0032462	A1	2/2010	Cameron et al.		
2012/0080462	A1	4/2012	Hajarian		

* cited by examiner

Primary Examiner — Melanie Pellegrini

(74) *Attorney, Agent, or Firm* — Michael J. Feigin, Esq.;
Feigin & Fridman

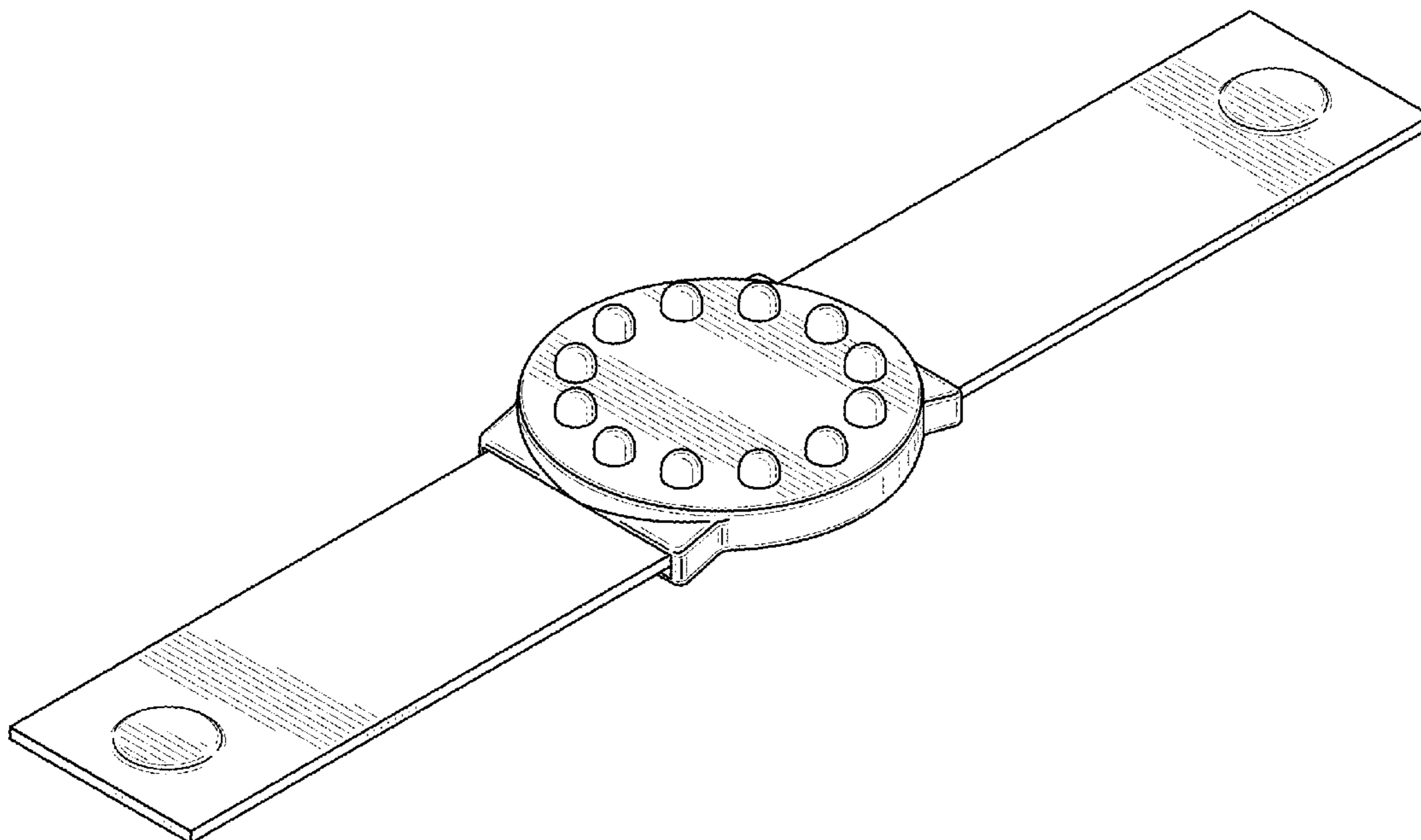
(57) **CLAIM**

The ornamental design for a wrist strap, as shown and described.

DESCRIPTION

FIG. 1 shows a top perspective view of a wrist strap.
FIG. 2 shows a bottom perspective view thereof shown in an environment of use where the broken lines represent environmental matter and form no part of the claimed design.
FIG. 3 shows a top plan view thereof.
FIG. 4 shows a bottom plan view thereof.
FIG. 5 shows a left side elevational view thereof, the right side elevational view being a mirror image; and,
FIG. 6 shows a front elevational view thereof, the rear elevational view being a mirror image.

1 Claim, 4 Drawing Sheets



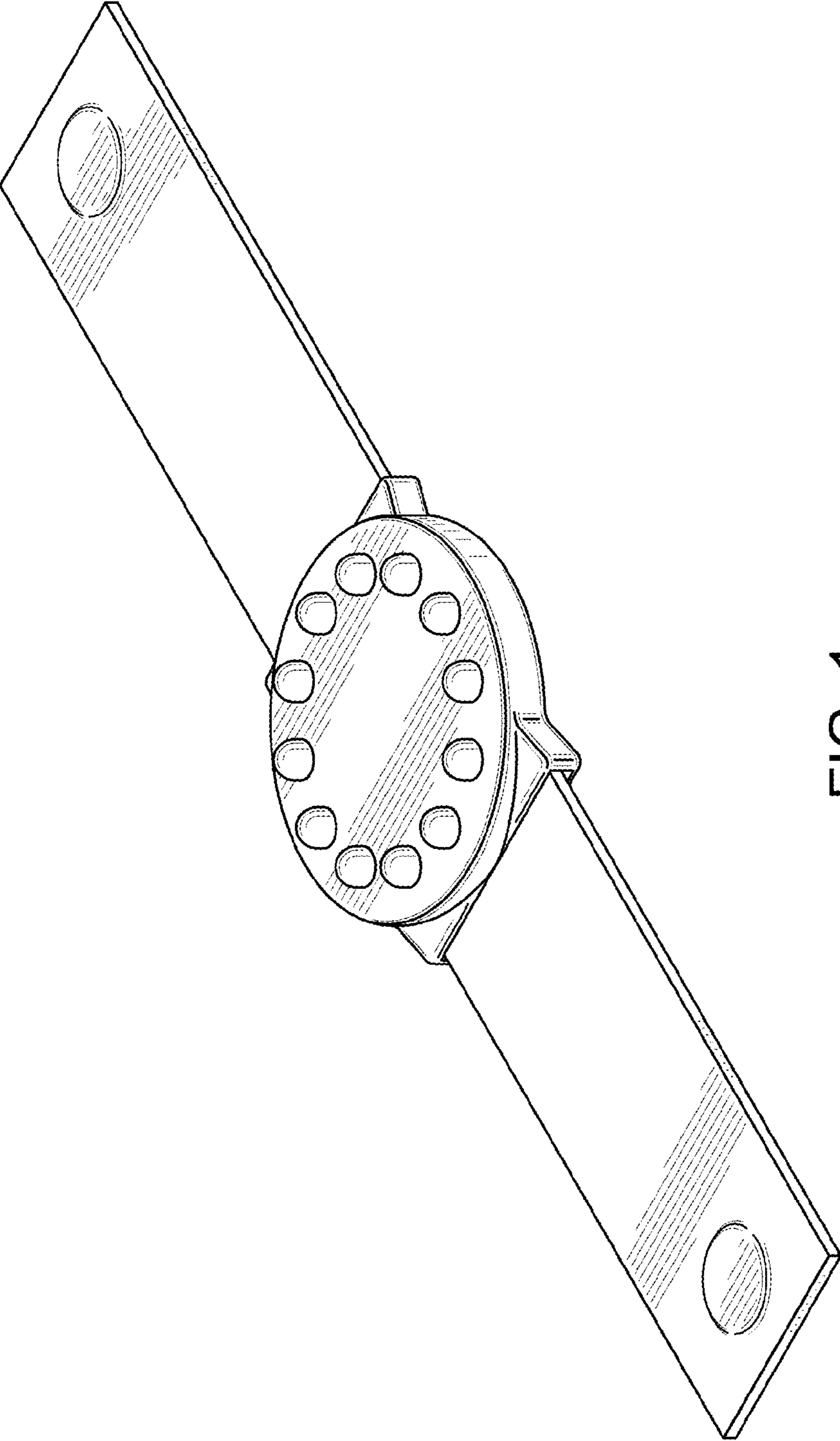


FIG. 1

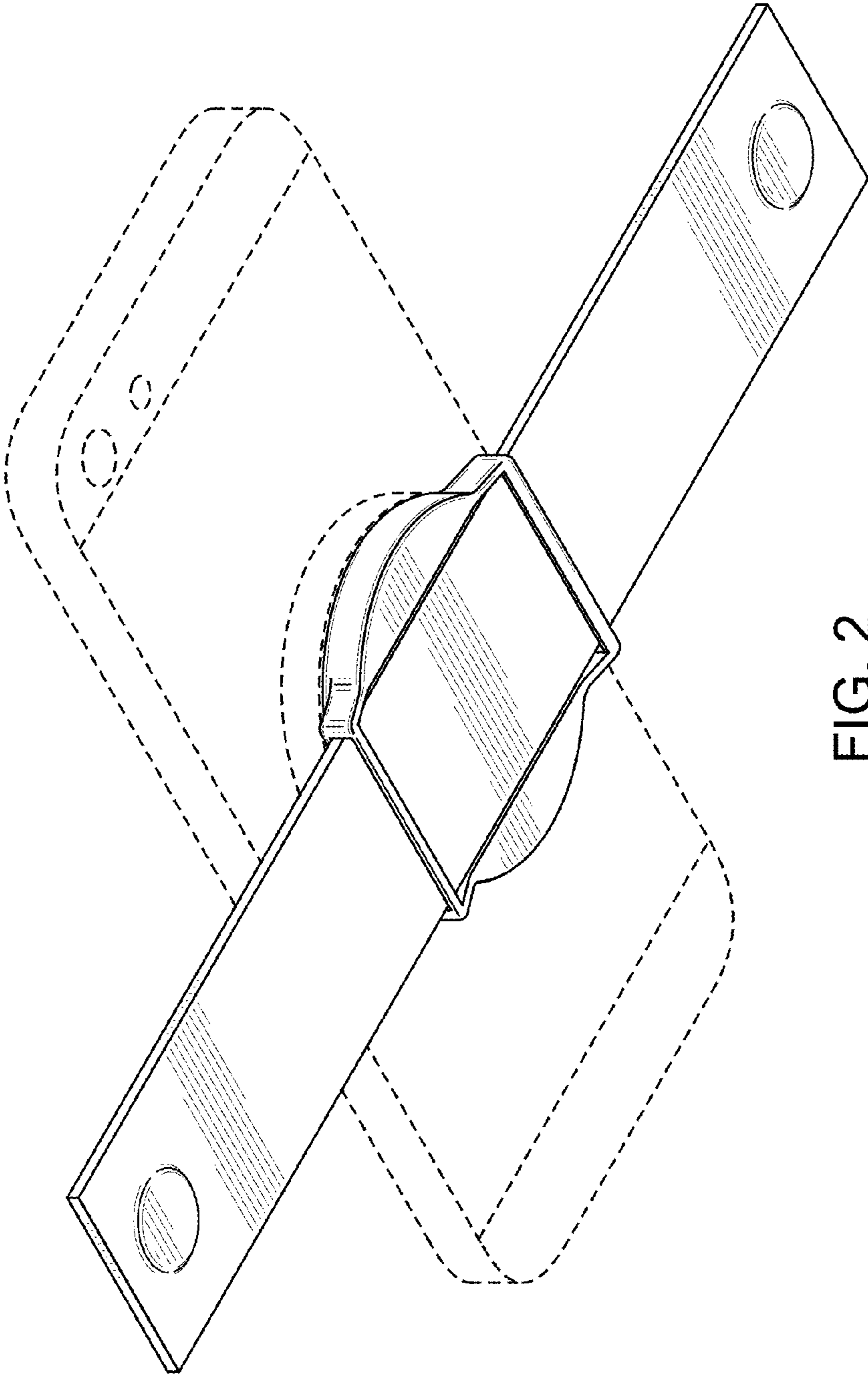


FIG. 2

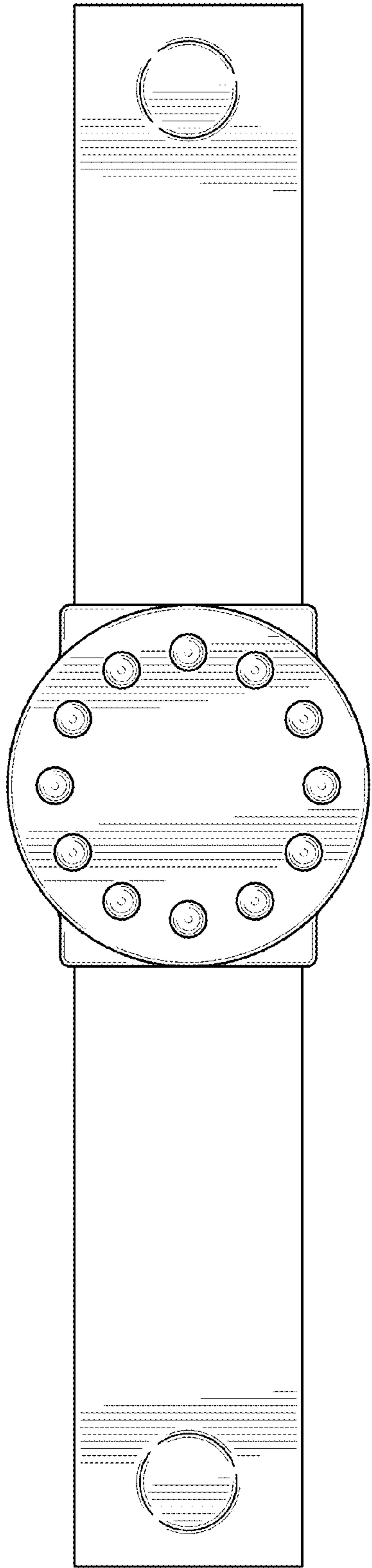


FIG. 3

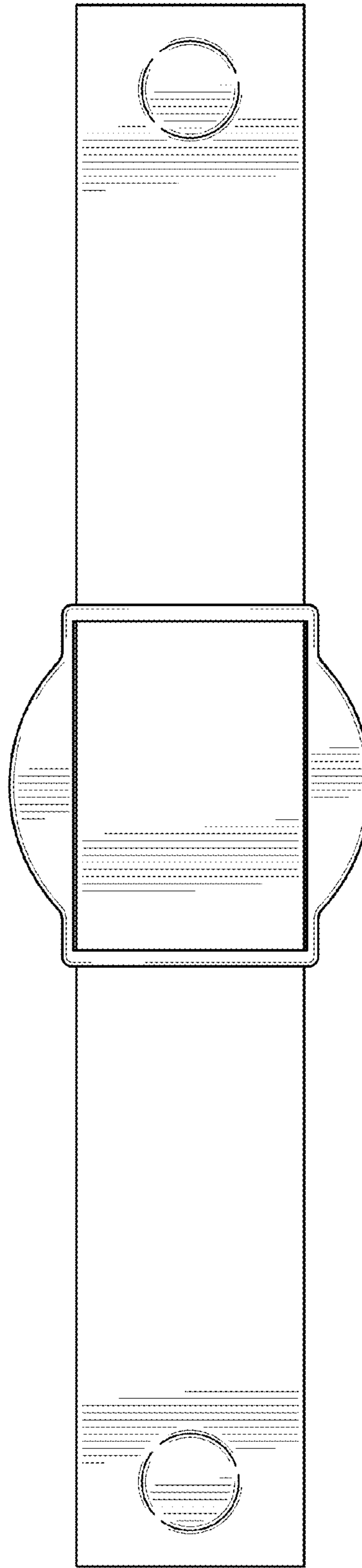


FIG. 4

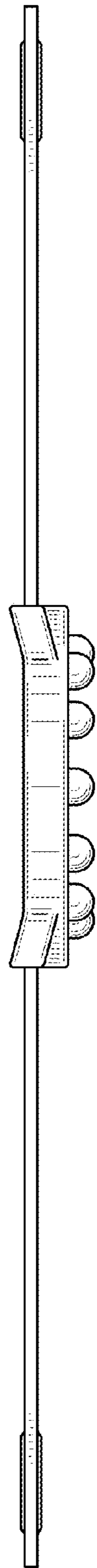


FIG. 5

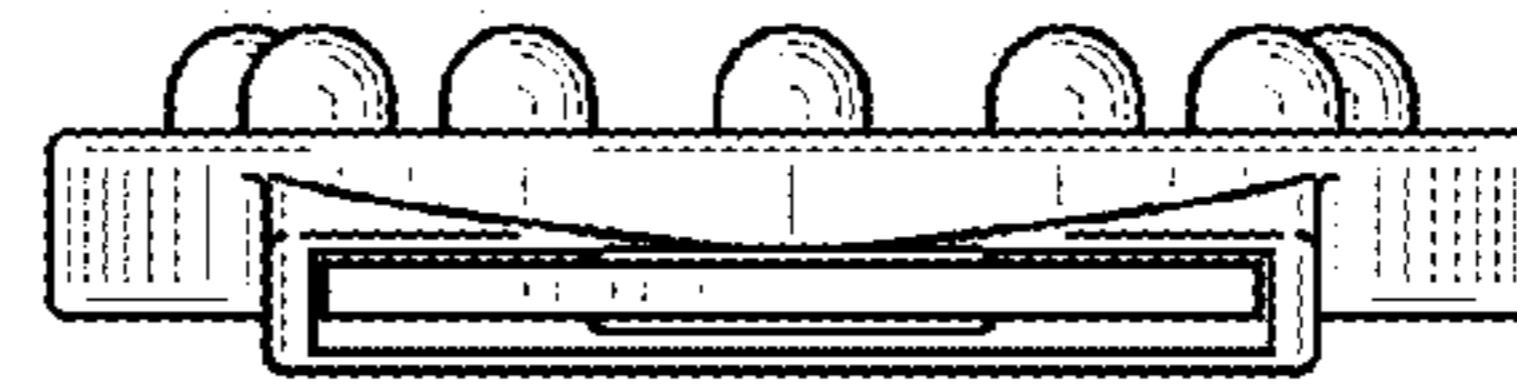


FIG. 6