



US00D779190S

(12) **United States Design Patent**
Mondesir

(10) **Patent No.:** **US D779,190 S**

(45) **Date of Patent:** **** Feb. 21, 2017**

(54) **SHOE UPPER**

(71) Applicant: **Converse Inc.**, Boston, MA (US)

(72) Inventor: **Frantz Mondesir**, Boston, MA (US)

(73) Assignee: **Converse Inc.**, Boston, MA (US)

(**) Term: **15 Years**

(21) Appl. No.: **29/545,671**

(22) Filed: **Nov. 14, 2015**

(51) **LOC (10) Cl.** **02-99**

(52) **U.S. Cl.**
USPC **D2/972**

(58) **Field of Classification Search**
USPC D2/902, 906-908, 944, 946, 969,
D2/972-974

CPC ... A43B 13/181; A43B 13/141; A43B 13/186;
A43B 13/188; A43B 23/00; A43B 23/02;
A43B 5/00; A43B 23/26; A43B 1/04;
A43B 11/14; A43B 7/00; A43C
1/00; A43C 11/00

See application file for complete search history.

(56) **References Cited**

U.S. PATENT DOCUMENTS

D258,547 S * 3/1981 Famolare, Jr. D2/908

D262,581 S * 1/1982 Chevallereau D2/908
D474,883 S * 5/2003 Cooper D2/972
D545,053 S * 6/2007 Harlow D2/972
D694,510 S * 12/2013 Carboy D2/972

* cited by examiner

Primary Examiner — Dominic Simone

(74) *Attorney, Agent, or Firm* — Banner & Witcoff, Ltd.

(57) **CLAIM**

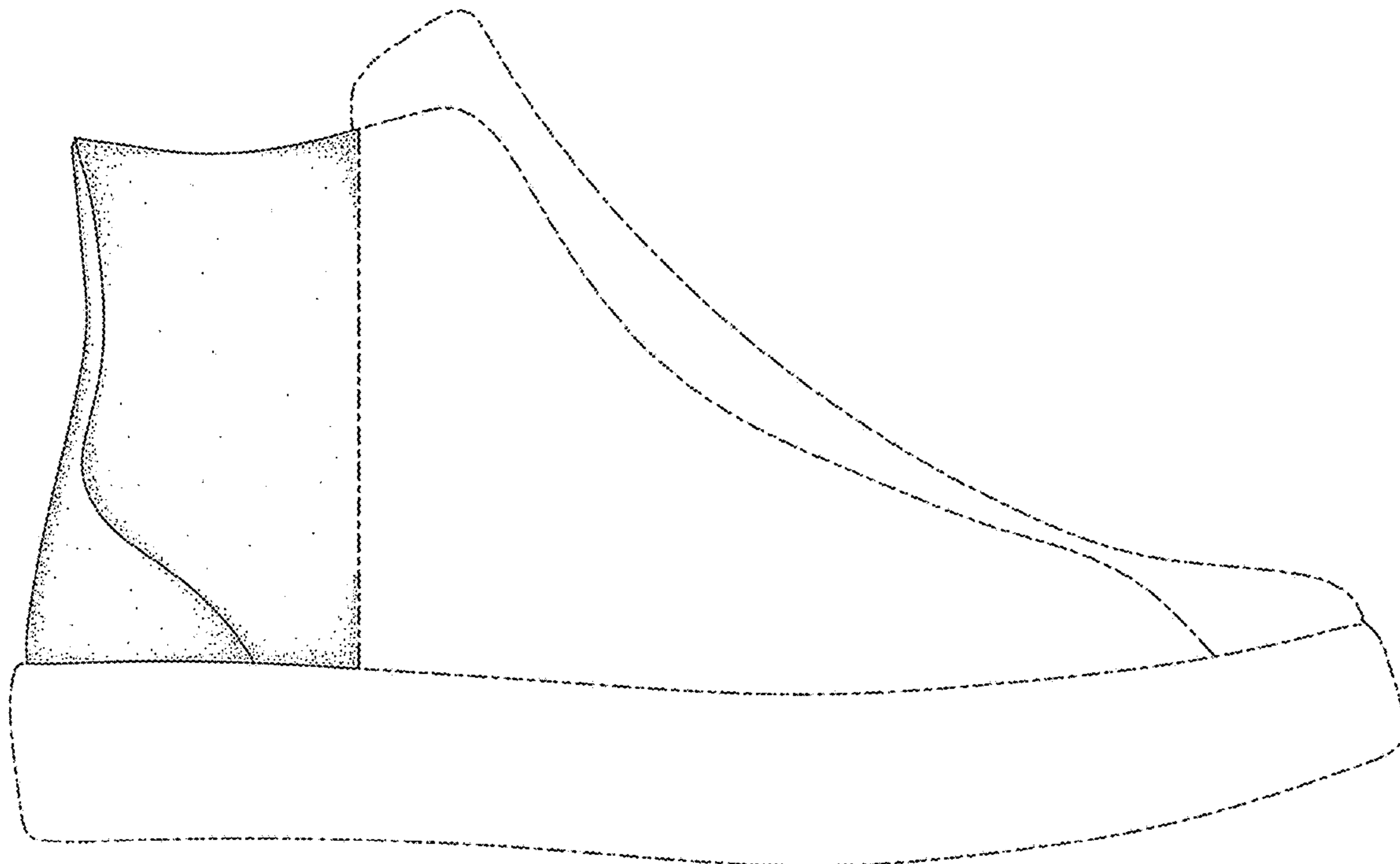
The ornamental design for a shoe upper, as shown and described.

DESCRIPTION

FIG. 1 is a front perspective view of a shoe upper showing my new design; FIG. 2 is a side view thereof; and, FIG. 3 is a rear view thereof.

The broken lines immediately adjacent to the shaded area represent unclaimed boundaries of the design. The broken lines showing the remainder of the shoe are for environmental purposes only and form no part of the claimed design.

1 Claim, 3 Drawing Sheets



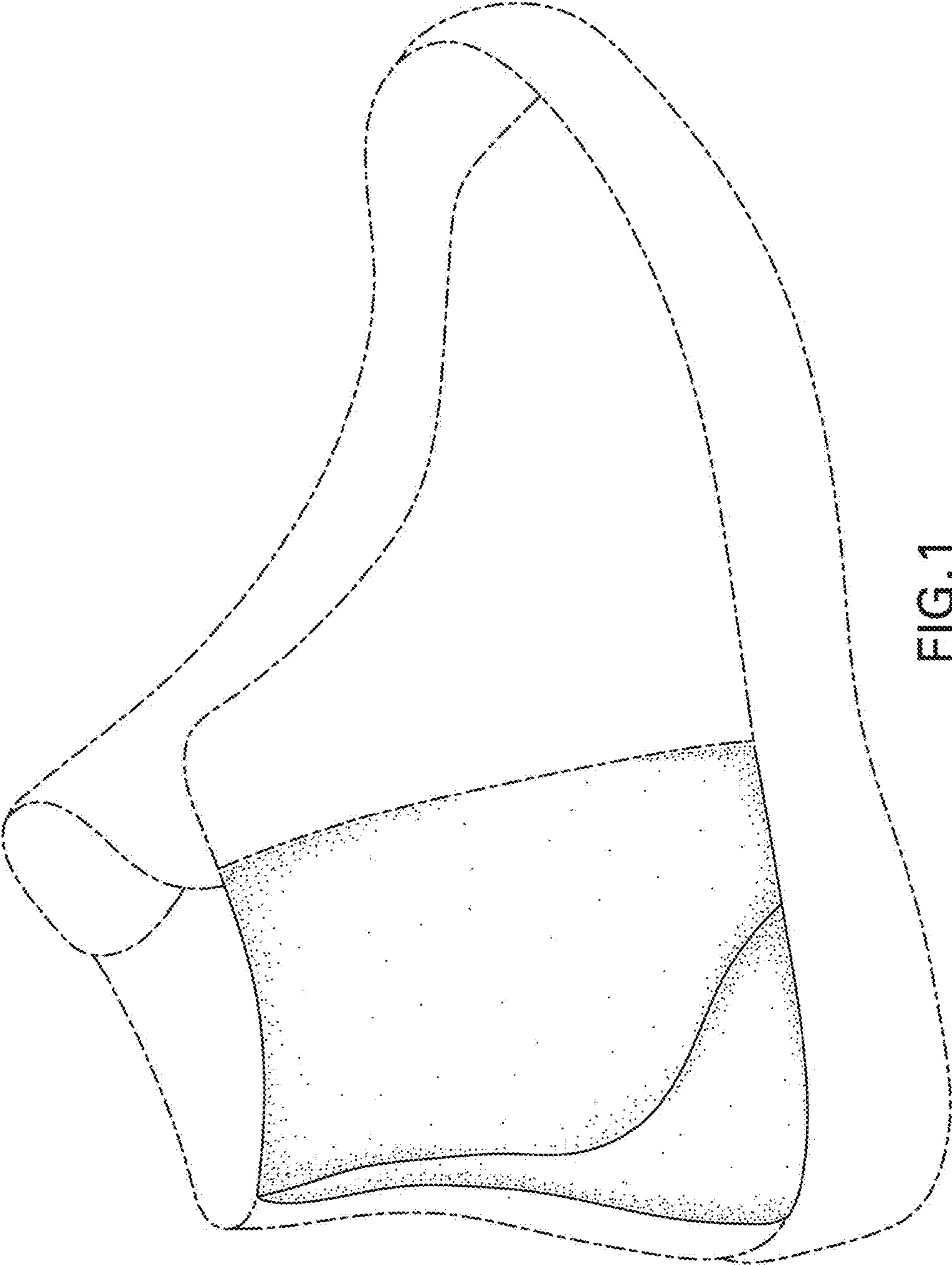


FIG. 1

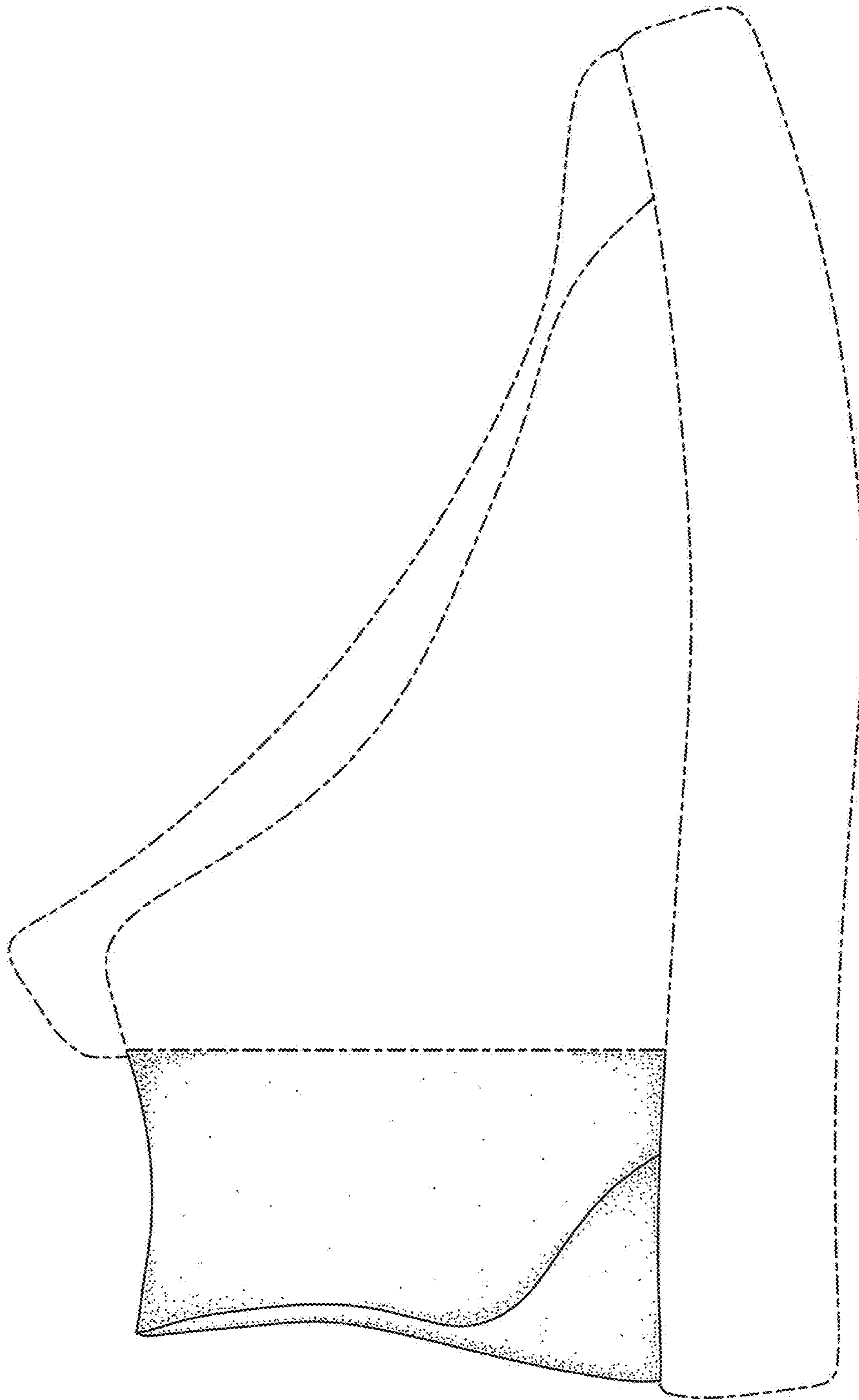


FIG. 2

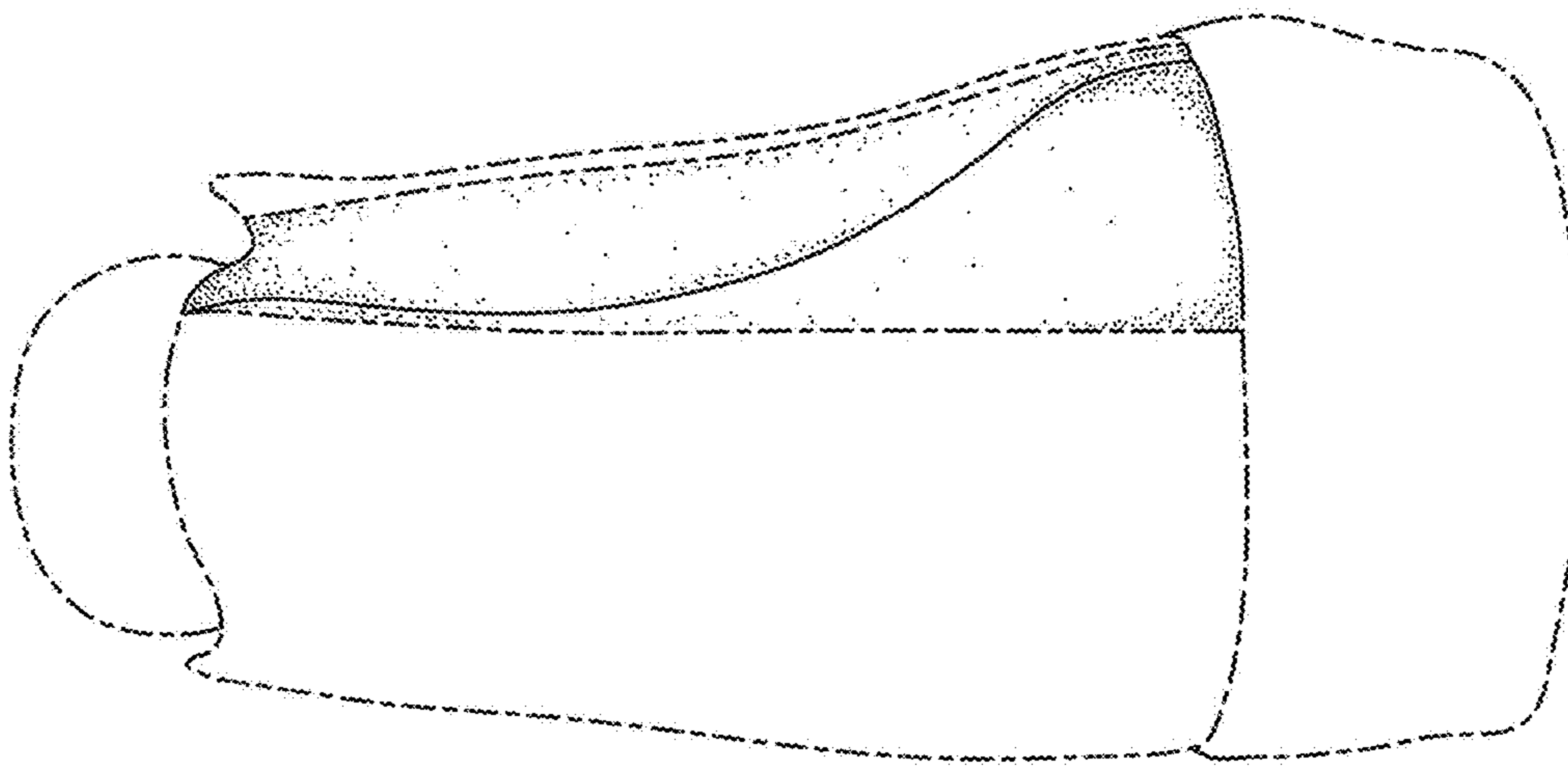


FIG. 3