



US00D779178S

(12) **United States Design Patent**  
**Lee et al.**

(10) **Patent No.:** **US D779,178 S**  
(45) **Date of Patent:** **\*\* Feb. 21, 2017**

(54) **SHOE OUTSOLE**

(71) Applicant: **NIKE, Inc.**, Beaverton, OR (US)

(72) Inventors: **Jeongwoo Lee**, Portland, OR (US);  
**Nathan M. VanHook**, Portland, OR (US)

(73) Assignee: **NIKE, Inc.**, Beaverton, OR (US)

(\*\*) Term: **15 Years**

(21) Appl. No.: **29/554,724**

(22) Filed: **Feb. 15, 2016**

(51) **LOC (10) Cl.** ..... **02-04**

(52) **U.S. Cl.**

USPC ..... **D2/954**; D2/947

(58) **Field of Classification Search**

USPC ..... D2/902, 906, 908, 916, 918, 925,  
D2/946-962, 977; 36/1, 1.5, 3 B, 22 R,  
36/24.5, 25 R, 28, 32 R, 34 R, 59 C,  
36/67 A, 101-107, 36/114-116, 117.3,  
36/117.4, 124-136

CPC ..... A43B 13/00; A43B 13/02; A43B 13/023;  
A43B 13/026; A43B 13/04; A43B 13/08;  
A43B 13/10; A43B 13/12; A43B 13/14;  
A43B 13/16; A43B 13/18; A43B 13/28;  
A43B 13/30; A43B 13/32; A43B 13/34;  
A43B 13/36; A43B 13/141; A43B 13/143;  
A43B 13/181; A43B 13/189; A43B  
13/223; A43B 13/224

See application file for complete search history.

(56) **References Cited**

**U.S. PATENT DOCUMENTS**

81,061 A \* 8/1868 Basset ..... A43C 15/161  
36/59 R  
1,760,084 A \* 5/1930 Pierce ..... A43C 15/161  
36/59 R  
1,782,569 A \* 11/1930 Howard ..... A43C 15/161  
36/59 R  
1,797,059 A \* 3/1931 Goldenberg ..... A43C 15/161  
36/59 R

1,899,300 A \* 2/1933 Albee ..... A43C 15/161  
36/59 R  
1,973,951 A \* 9/1934 Goldenberg ..... A43C 15/161  
36/59 R  
2,306,308 A \* 12/1942 Goldenberg ..... A43C 15/161  
36/59 R  
D173,893 S \* 1/1955 Bovay ..... D2/955  
(Continued)

**FOREIGN PATENT DOCUMENTS**

DE 1918615 \* 6/1965  
DE 3706071 \* 9/1988 ..... A43B 13/14  
(Continued)

**OTHER PUBLICATIONS**

Nike Mercurial Superfly V CR7 SG-Pro, Nike.com, [online], [site visited Nov. 14, 2016]. <URL: [http://store.nike.com/us/en\\_us/pd/mercurial-superfly-v-cr7-sg-pro-mens-soft-ground-soccer-cleat/pid-11157149/pgid-11629533](http://store.nike.com/us/en_us/pd/mercurial-superfly-v-cr7-sg-pro-mens-soft-ground-soccer-cleat/pid-11157149/pgid-11629533)>.\*

(Continued)

*Primary Examiner* — T. Chase Nelson

*Assistant Examiner* — Jonathan J Han

(74) *Attorney, Agent, or Firm* — Banner & Witcoff, Ltd.

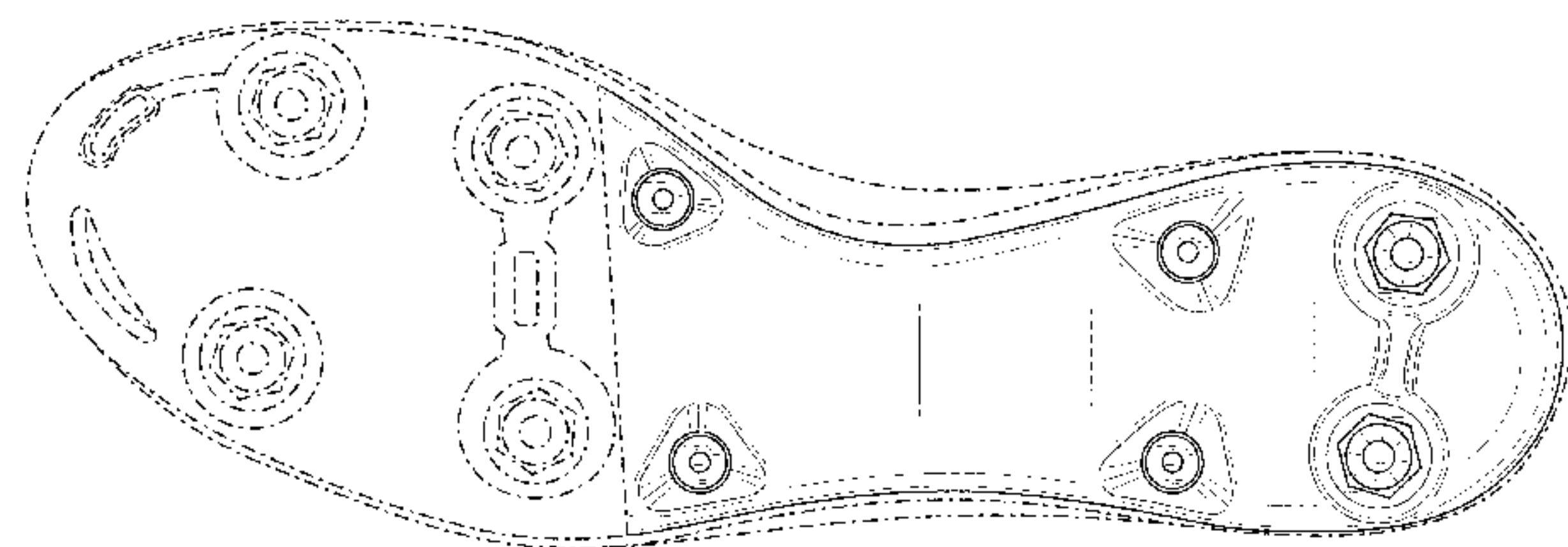
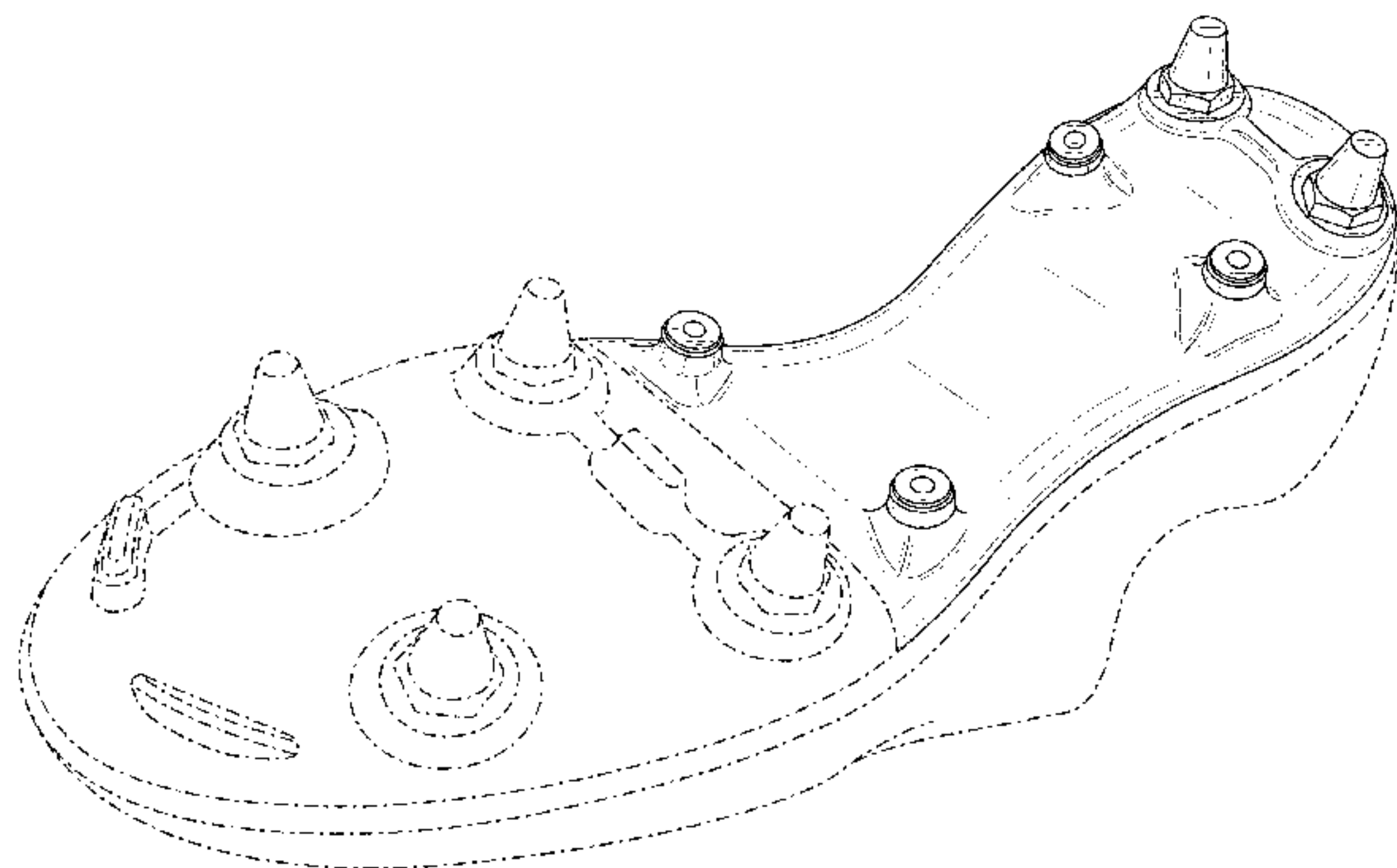
(57) **CLAIM**

The ornamental design for a shoe outsole, as shown and described.

**DESCRIPTION**

FIG. 1 is a front perspective view of a shoe outsole showing our new design;  
FIG. 2 is a bottom view thereof; and,  
FIG. 3 is a rear perspective view thereof.  
The broken lines immediately adjacent to the shaded area represent unclaimed boundaries of the design. The broken lines showing the remainder of the shoe are for environmental purposes only and form no part of the claimed design.

**1 Claim, 3 Drawing Sheets**



(56)

References Cited

U.S. PATENT DOCUMENTS

3,082,549 A \* 3/1963 Dolceamore ..... A43C 15/167  
36/128  
3,982,336 A \* 9/1976 Herro ..... A43B 13/36  
36/15  
D272,390 S \* 1/1984 Muller-Feigelstock ..... D2/955  
4,454,662 A \* 6/1984 Stubblefield ..... A43B 5/00  
36/102  
4,698,923 A \* 10/1987 Arff ..... A43B 13/26  
36/128  
5,386,651 A \* 2/1995 Okamoto ..... A43C 15/16  
36/134  
D368,156 S \* 3/1996 Longbottom ..... D2/906  
6,367,167 B1 \* 4/2002 Krstic ..... A43B 5/02  
36/25 R  
D459,576 S \* 7/2002 Erickson ..... D2/951  
D469,244 S \* 1/2003 Robinson, Jr. .... D2/951  
D556,432 S \* 12/2007 Gerber ..... D2/951  
D599,088 S \* 9/2009 Kay ..... D2/909  
D675,416 S 2/2013 Minami  
D688,037 S 8/2013 Dekovic et al.  
D703,930 S \* 5/2014 Grott ..... D2/951  
D707,434 S 6/2014 Seamarks  
D710,583 S 8/2014 Lee  
D717,035 S 11/2014 Minami  
D735,982 S 8/2015 Pauk  
9,210,967 B2 \* 12/2015 Gerber ..... A43B 5/02  
2006/0130372 A1 \* 6/2006 Auger ..... A43C 15/14  
36/134  
2009/0249654 A1 \* 10/2009 Baucom ..... A43B 1/0072  
36/134  
2011/0167676 A1 \* 7/2011 Benz ..... A43C 15/162  
36/134  
2011/0197475 A1 \* 8/2011 Weidl ..... A43B 1/0009  
36/107

2012/0210608 A1 \* 8/2012 Baker ..... A43C 15/161  
36/134  
2013/0047465 A1 \* 2/2013 Auger ..... A43B 13/223  
36/66  
2013/0326911 A1 \* 12/2013 Baucom ..... A43B 13/122  
36/103

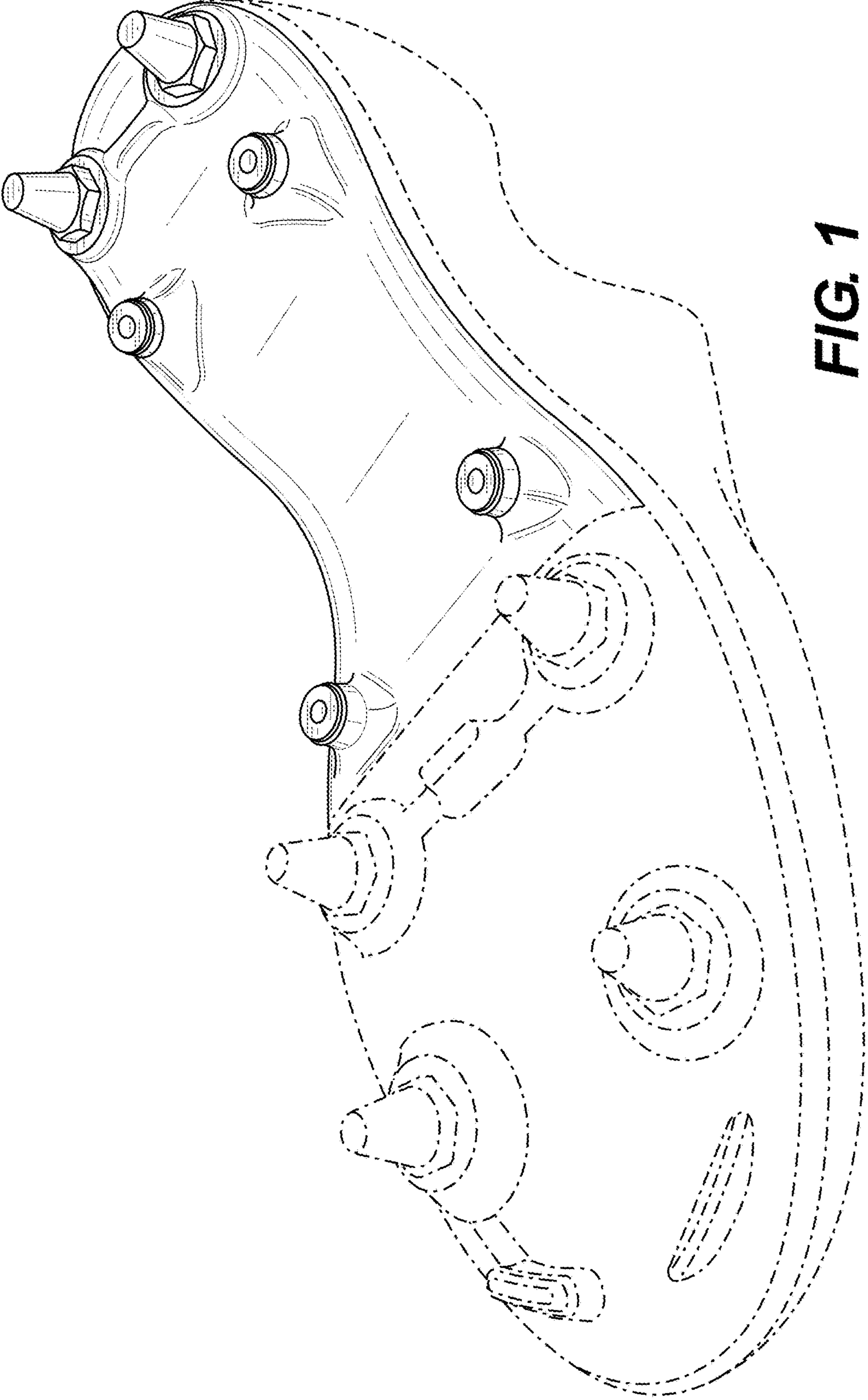
FOREIGN PATENT DOCUMENTS

DE 102008025289 \* 12/2009 ..... A43B 5/06  
JP 200419494935 \* 7/2004 ..... A43B 3/26

OTHER PUBLICATIONS

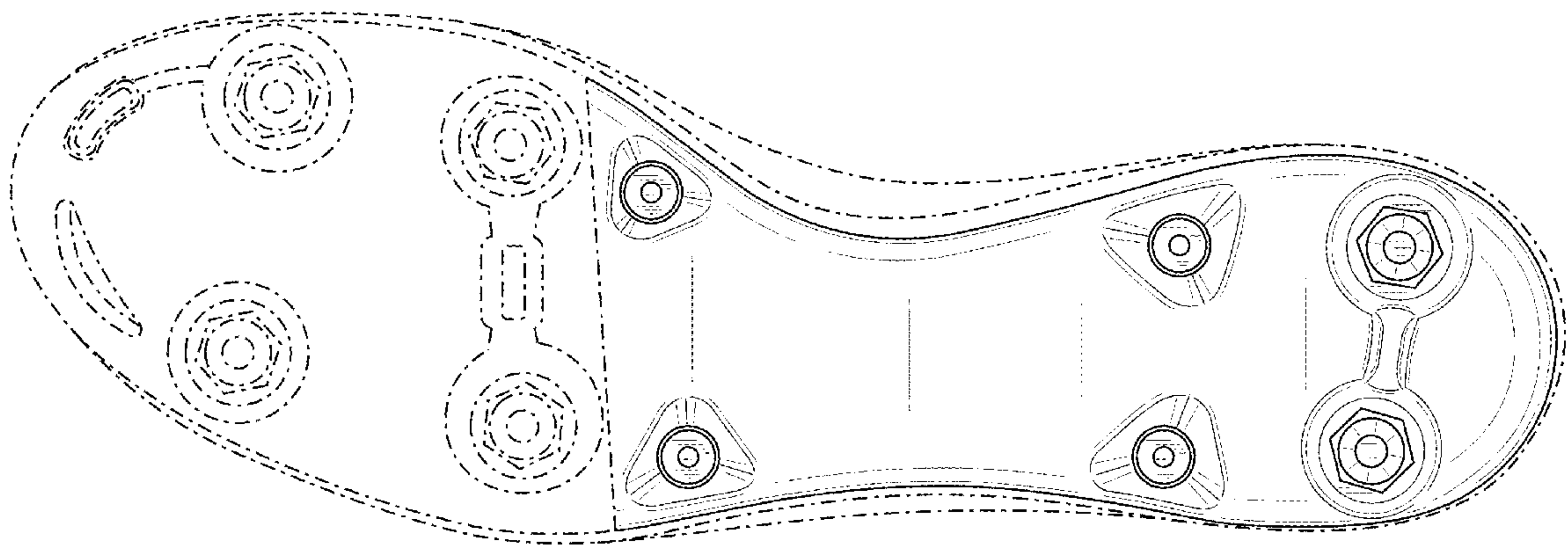
Nike Hypervenom Phantom II FG, Nike.com, [online], [site visited Nov. 14, 2016]. <URL: [http://store.nike.com/us/en\\_us/pd/hypervenom-phantom-ii-mens-firm-ground-soccer-cleat/pid-11155108/pgid-11165789](http://store.nike.com/us/en_us/pd/hypervenom-phantom-ii-mens-firm-ground-soccer-cleat/pid-11155108/pgid-11165789)>.\*  
Ace 16+ Purecontrol Primeknit Firm Ground Cleats, Adidas.com, [online], [site visited Nov. 14, 2016]. <URL: <http://www.adidas.com/us/ace-16-plus-purecontrol-primeknit-firm-ground-cleats/AQ6357.html>>.\*  
X 16+ Purechaos Leather Soft Ground Cleats, Adidas.com, [online], [site visited Nov. 14, 2016]. <URL: <http://www.adidas.com/us/x-16-plus-purechaos-leather-soft-ground-cleats/S79536.html>>.\*  
Evotouch 1 FG Men's Firm Ground Soccer Cleats, Puma.com, [online], [site visited Nov. 14, 2016]. <URL: [http://us.puma.com/en\\_US/pd/evotouch-1-fg-mens-firm-ground-soccer-cleats/pna103672.html?dwvar\\_pna103672\\_color=01](http://us.puma.com/en_US/pd/evotouch-1-fg-mens-firm-ground-soccer-cleats/pna103672.html?dwvar_pna103672_color=01)>.\*  
Adidas Men's 11Core TRX FG Soccer Cleat, SneakerTrendsLike.com, [online], [site visited Nov. 14, 2016]. <URL: <http://www.sneakertrendslike.com/2014/08/22/adidas-mens-11core-trx-fg-soccer-cleat/>>.\*

\* cited by examiner

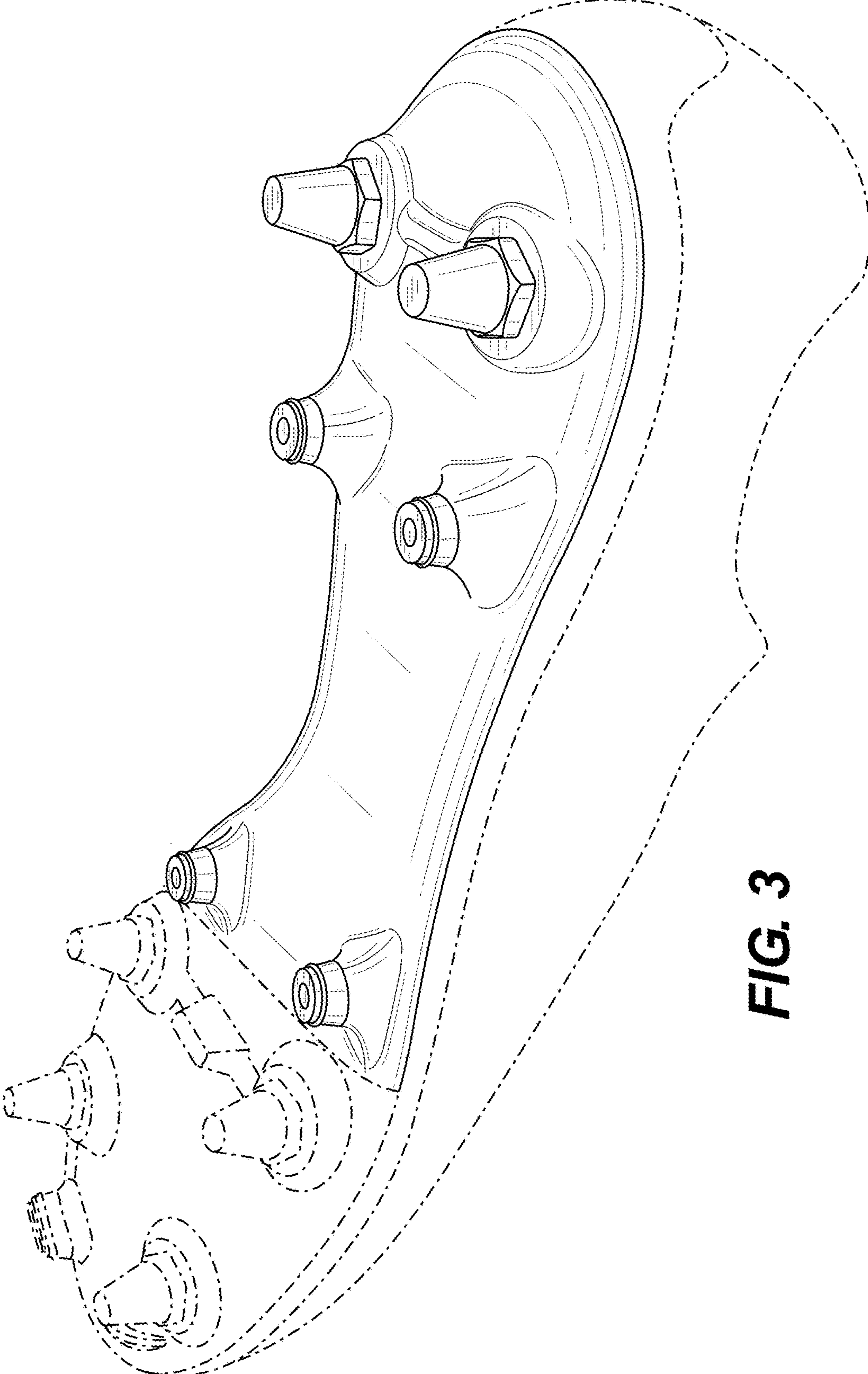


**FIG. 1**





**FIG. 2**



**FIG. 3**